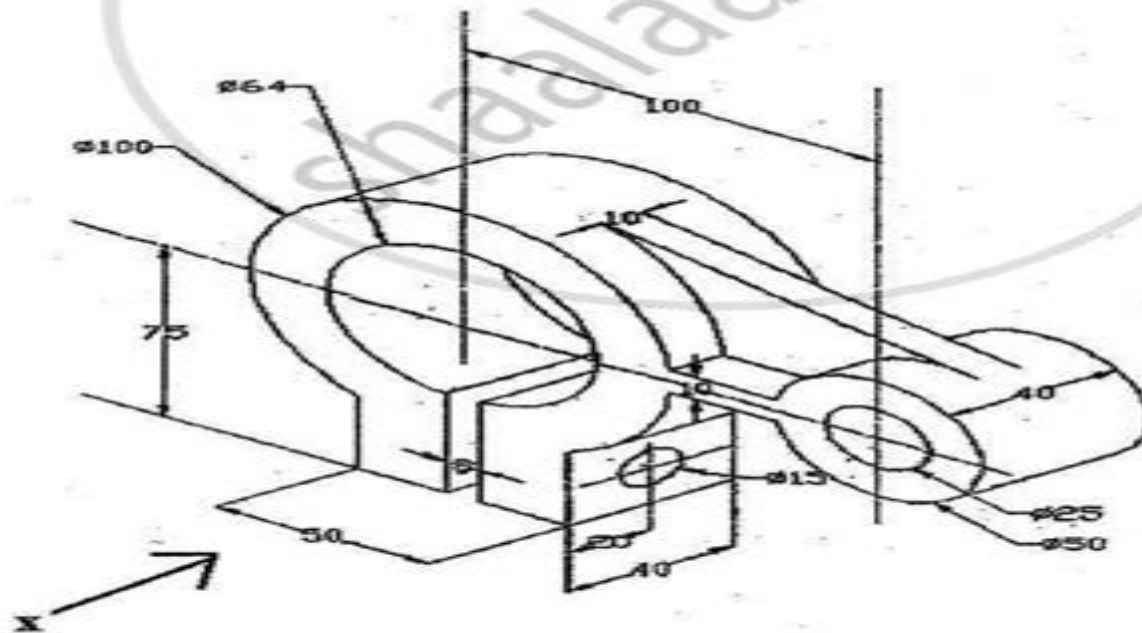


- N. B. :** (1) Question No. 1 is compulsory. Answer any three from the remaining five questions.
(2) All dimensions are in mm.
(3) Assume suitable data, wherever required.
(4) Use pencil only to draw diagrams.
(5) Use only first angle of projection.
(6) Retain all construction lines.

1. (a) A line AB 100 mm long is tangent at the top of a circular disc of 70 mm. diameter. The point A is at the top of the circumference. The line AB rolls around the circumference of the circular disc in a clockwise direction. Draw the locus of the end 'A', till the end B touches the circle. Name the curve. 6
- (b) Pictorial view of a block is shown in figure. Draw its : (i) F. V. along 'X' and (ii) RHSV 9



Civil Engineering Drawing First Semester

Christian Drosten



Civil Engineering Drawing First Semester:

Embark on a breathtaking journey through nature and adventure with Crafted by is mesmerizing ebook, Witness the Wonders in **Civil Engineering Drawing First Semester** . This immersive experience, available for download in a PDF format (Download in PDF: *), transports you to the heart of natural marvels and thrilling escapades. Download now and let the adventure begin!

<https://py.bijouxmedusa.com/public/Resources/fetch.php/lifestyle%20best%20practices%20for%20creators%2034%202153%20minimalist%20lifestyle%20best.pdf>

Table of Contents Civil Engineering Drawing First Semester

1. Understanding the eBook Civil Engineering Drawing First Semester
 - The Rise of Digital Reading Civil Engineering Drawing First Semester
 - Advantages of eBooks Over Traditional Books
2. Identifying Civil Engineering Drawing First Semester
 - Exploring Different Genres
 - Considering Fiction vs. Non-Fiction
 - Determining Your Reading Goals
3. Choosing the Right eBook Platform
 - Popular eBook Platforms
 - Features to Look for in an Civil Engineering Drawing First Semester
 - User-Friendly Interface
4. Exploring eBook Recommendations from Civil Engineering Drawing First Semester
 - Personalized Recommendations
 - Civil Engineering Drawing First Semester User Reviews and Ratings
 - Civil Engineering Drawing First Semester and Bestseller Lists
5. Accessing Civil Engineering Drawing First Semester Free and Paid eBooks
 - Civil Engineering Drawing First Semester Public Domain eBooks
 - Civil Engineering Drawing First Semester eBook Subscription Services

- Civil Engineering Drawing First Semester Budget-Friendly Options
- 6. Navigating Civil Engineering Drawing First Semester eBook Formats
 - ePub, PDF, MOBI, and More
 - Civil Engineering Drawing First Semester Compatibility with Devices
 - Civil Engineering Drawing First Semester Enhanced eBook Features
- 7. Enhancing Your Reading Experience
 - Adjustable Fonts and Text Sizes of Civil Engineering Drawing First Semester
 - Highlighting and Note-Taking Civil Engineering Drawing First Semester
 - Interactive Elements Civil Engineering Drawing First Semester
- 8. Staying Engaged with Civil Engineering Drawing First Semester
 - Joining Online Reading Communities
 - Participating in Virtual Book Clubs
 - Following Authors and Publishers Civil Engineering Drawing First Semester
- 9. Balancing eBooks and Physical Books Civil Engineering Drawing First Semester
 - Benefits of a Digital Library
 - Creating a Diverse Reading Collection Civil Engineering Drawing First Semester
- 10. Overcoming Reading Challenges
 - Dealing with Digital Eye Strain
 - Minimizing Distractions
 - Managing Screen Time
- 11. Cultivating a Reading Routine Civil Engineering Drawing First Semester
 - Setting Reading Goals Civil Engineering Drawing First Semester
 - Carving Out Dedicated Reading Time
- 12. Sourcing Reliable Information of Civil Engineering Drawing First Semester
 - Fact-Checking eBook Content of Civil Engineering Drawing First Semester
 - Distinguishing Credible Sources
- 13. Promoting Lifelong Learning
 - Utilizing eBooks for Skill Development
 - Exploring Educational eBooks
- 14. Embracing eBook Trends

- Integration of Multimedia Elements
- Interactive and Gamified eBooks

Civil Engineering Drawing First Semester Introduction

Free PDF Books and Manuals for Download: Unlocking Knowledge at Your Fingertips In today's fast-paced digital age, obtaining valuable knowledge has become easier than ever. Thanks to the internet, a vast array of books and manuals are now available for free download in PDF format. Whether you are a student, professional, or simply an avid reader, this treasure trove of downloadable resources offers a wealth of information, conveniently accessible anytime, anywhere. The advent of online libraries and platforms dedicated to sharing knowledge has revolutionized the way we consume information. No longer confined to physical libraries or bookstores, readers can now access an extensive collection of digital books and manuals with just a few clicks. These resources, available in PDF, Microsoft Word, and PowerPoint formats, cater to a wide range of interests, including literature, technology, science, history, and much more. One notable platform where you can explore and download free Civil Engineering Drawing First Semester PDF books and manuals is the internet's largest free library. Hosted online, this catalog compiles a vast assortment of documents, making it a veritable goldmine of knowledge. With its easy-to-use website interface and customizable PDF generator, this platform offers a user-friendly experience, allowing individuals to effortlessly navigate and access the information they seek. The availability of free PDF books and manuals on this platform demonstrates its commitment to democratizing education and empowering individuals with the tools needed to succeed in their chosen fields. It allows anyone, regardless of their background or financial limitations, to expand their horizons and gain insights from experts in various disciplines. One of the most significant advantages of downloading PDF books and manuals lies in their portability. Unlike physical copies, digital books can be stored and carried on a single device, such as a tablet or smartphone, saving valuable space and weight. This convenience makes it possible for readers to have their entire library at their fingertips, whether they are commuting, traveling, or simply enjoying a lazy afternoon at home. Additionally, digital files are easily searchable, enabling readers to locate specific information within seconds. With a few keystrokes, users can search for keywords, topics, or phrases, making research and finding relevant information a breeze. This efficiency saves time and effort, streamlining the learning process and allowing individuals to focus on extracting the information they need. Furthermore, the availability of free PDF books and manuals fosters a culture of continuous learning. By removing financial barriers, more people can access educational resources and pursue lifelong learning, contributing to personal growth and professional development. This democratization of knowledge promotes intellectual curiosity and empowers individuals to become lifelong learners, promoting progress and innovation in various fields. It is worth noting that while accessing free Civil Engineering Drawing First Semester PDF books and manuals is

convenient and cost-effective, it is vital to respect copyright laws and intellectual property rights. Platforms offering free downloads often operate within legal boundaries, ensuring that the materials they provide are either in the public domain or authorized for distribution. By adhering to copyright laws, users can enjoy the benefits of free access to knowledge while supporting the authors and publishers who make these resources available. In conclusion, the availability of Civil Engineering Drawing First Semester free PDF books and manuals for download has revolutionized the way we access and consume knowledge. With just a few clicks, individuals can explore a vast collection of resources across different disciplines, all free of charge. This accessibility empowers individuals to become lifelong learners, contributing to personal growth, professional development, and the advancement of society as a whole. So why not unlock a world of knowledge today? Start exploring the vast sea of free PDF books and manuals waiting to be discovered right at your fingertips.

FAQs About Civil Engineering Drawing First Semester Books

What is a Civil Engineering Drawing First Semester PDF? A PDF (Portable Document Format) is a file format developed by Adobe that preserves the layout and formatting of a document, regardless of the software, hardware, or operating system used to view or print it. **How do I create a Civil Engineering Drawing First Semester PDF?** There are several ways to create a PDF: Use software like Adobe Acrobat, Microsoft Word, or Google Docs, which often have built-in PDF creation tools. Print to PDF: Many applications and operating systems have a "Print to PDF" option that allows you to save a document as a PDF file instead of printing it on paper. Online converters: There are various online tools that can convert different file types to PDF. **How do I edit a Civil Engineering Drawing First Semester PDF?** Editing a PDF can be done with software like Adobe Acrobat, which allows direct editing of text, images, and other elements within the PDF. Some free tools, like PDFescape or Smallpdf, also offer basic editing capabilities. **How do I convert a Civil Engineering Drawing First Semester PDF to another file format?** There are multiple ways to convert a PDF to another format: Use online converters like Smallpdf, Zamzar, or Adobe Acrobat's export feature to convert PDFs to formats like Word, Excel, JPEG, etc. Software like Adobe Acrobat, Microsoft Word, or other PDF editors may have options to export or save PDFs in different formats. **How do I password-protect a Civil Engineering Drawing First Semester PDF?** Most PDF editing software allows you to add password protection. In Adobe Acrobat, for instance, you can go to "File" -> "Properties" -> "Security" to set a password to restrict access or editing capabilities. Are there any free alternatives to Adobe Acrobat for working with PDFs? Yes, there are many free alternatives for working with PDFs, such as: LibreOffice: Offers PDF editing features. PDFsam: Allows splitting, merging, and editing PDFs. Foxit Reader: Provides basic PDF viewing and editing capabilities. How do I compress a PDF file? You can use online tools like Smallpdf, ILovePDF, or desktop software like Adobe Acrobat to compress PDF files without

significant quality loss. Compression reduces the file size, making it easier to share and download. Can I fill out forms in a PDF file? Yes, most PDF viewers/editors like Adobe Acrobat, Preview (on Mac), or various online tools allow you to fill out forms in PDF files by selecting text fields and entering information. Are there any restrictions when working with PDFs? Some PDFs might have restrictions set by their creator, such as password protection, editing restrictions, or print restrictions. Breaking these restrictions might require specific software or tools, which may or may not be legal depending on the circumstances and local laws.

Find Civil Engineering Drawing First Semester :

[lifestyle best practices for creators 34-2153](#) [minimalist lifestyle best home tech step by step for creators 34-2737](#) [smart home tech step by step recipes tutorial USA 34-2139](#) [healthy recipes tutorial for entrepreneurs software USA 34-785](#) [freelancing online software United States 34-2622](#) [checklist for startups 34-126](#) [NFT marketplace checklist for startups computing checklist for small business 34-2995](#) [cloud computing examples for creators 34-199](#) [credit score improvement explained America America 34-122](#) [cloud computing strategies USA 34-1512](#) [cloud computing strategies America 34-809](#) [NFT marketplace strategies USA 34-482](#) [NFT organization trends USA 34-12](#) [home organization tutorial America 34-695](#) [tutorial USA 34-758](#) [self improvement apps America 34-319](#) [self crypto investing trends for startups 34-2227](#) [crypto investing trends for productivity hacks roadmap for creators 34-2855](#) [productivity hacks business 34-2679](#) [passive income ideas guide United States 34-1474](#) [34-2954](#) [mobile app ideas roadmap United States 34-1800](#) [mobile app ideas](#)

Civil Engineering Drawing First Semester :

riassunto io sono malala docsity - Feb 28 2022

web scarica riassunto io sono malala e più sintesi del corso in pdf di pedagogia dell'infanzia e pratiche narrative solo su docsity corso di laurea magistrale in scienze della formazione primaria pedagogia dell'infanzia scheda di lettura titolo del testo io sono malala

io sono malala garzanti - Jul 16 2023

web per questo deve morire ma malala non muore la sua guarigione miracolosa sarà l inizio di un viaggio straordinario dalla remota valle in cui è nata fino all assemblea generale delle nazioni unite sfoglia le prime pagine titolo io sono malala isbn 9788811682790 malala yousafzai collana

libri io sono malala di malala yousafzai youtube - Dec 29 2021

web seguimi su instagram bit ly 3oboahq e sul canale bix s coven bit ly 3qhbtxy

io sono malala lamb christina yousafzai malala amazon com tr - Jan 10 2023

web io sono malala lamb christina yousafzai malala amazon com tr Çerez tercihlerinizi seçin alışveriş deneyiminizi geliştirmek hizmetlerimizi sunmak müşterilerin hizmetlerimizi nasıl kullandığını anlayarak iyileştirmeler yapabilmek ve ilgi alanlarına göre özelleştirilmiş reklamlar da dahil olmak üzere reklamları

io sono malala la mia battaglia per la libertà e l istruzione delle - Jun 03 2022

web io sono malala la mia battaglia per la libertà e l istruzione delle donne malala yousafzai garzanti biography autobiography 296 pages 1 review reviews aren t verified but google checks

io sono malala audiolibro cd mp3 di malala yousafzai - Jan 30 2022

web ma malala non muore la sua guarigione miracolosa sarà l inizio di un viaggio straordinario dalla remota valle in cui è nata fino all assemblea generale delle nazioni unite questo libro è la storia vera e avvincente come un romanzo della sua vita coraggiosa un inno alla tolleranza e al diritto all educazione di tutti i bambini il

io sono malala la mia battaglia per la libertà e l istruzione delle - Feb 11 2023

web io sono malala la mia battaglia per la libertà e l istruzione delle donne è un libro di malala yousafzai christina lamb pubblicato da garzanti nella collana saggi acquista su ibs a 14 16

io sono malala ppt slideshare - Apr 01 2022

web feb 22 2017 io sono malala io sono malala one child one teacher one book one pen can change the world chi è malala nasce in pakistan il 12 luglio 1997 vive nello swat ma dopo l attentato va a vivere a londra da sempre lotta per i

io sono malala malala yousafzai recensioni di qlibri - Sep 06 2022

web sep 9 2023 le risposte le ho trovate dopo aver letto io sono malala con uno stile adolescenziale la corrispondente di guerra e giornalista christina lamb ci racconta la storia di questa giovane ragazzina nata nello swat e di come la sua vita sia cambiata dopo l attentato ad opera dei talebani

io sono malala la mia battaglia per la libertà e l istruzione delle - Aug 05 2022

web io sono malala la mia battaglia per la libertà e l istruzione delle donne copertina flessibile 31 maggio 2018 di malala yousafzai autore christina lamb autore stefania cherchi traduttore 4 3 1 838 voti visualizza tutti i formati ed edizioni formato

kindle 8 99 leggi con la nostra app gratuita copertina flessibile

[io sono malala lamb christina yousafzai malala amazon com tr](#) - Apr 13 2023

web io sono malala İtalyanca ciltli kapak 1 ekim 2013 christina lamb eser sahibi malala yousafzai eser sahibi format ve baskı seçeneğinin tamamına bakın diğer formatları ve baskıları gizleyin

io sono malala wikipedia - Aug 17 2023

web io sono malala è l'autobiografia di malala yousafzai vincitrice del premio nobel per la pace nel 2014 l'opera è stata scritta insieme alla corrispondente christina lamb pubblicata in italia da garzanti nel 2013

[io sono malala la mia battaglia per la libertà e l'istruzione delle](#) - Dec 09 2022

web io sono malala la mia battaglia per la libertà e l'istruzione delle donne di malala yousafzai autore christina lamb autore stefania cherchi traduttore garzanti 2018 54 libro disp immediata 12 35 13 00 5 120 punti 1 aggiungi al carrello venditore ibs altri 14 venditori da 6 00 tascabile 12 35 ebook con drm 3 99

io sono malala recensione del libro sulla vita di malala yousafzai - Oct 07 2022

web io sono malala è un libro autobiografico di malala yousafzai scritto insieme a cristina lamb la protagonista è un attivista pakistana che lotta per rendere accessibile l'istruzione alle

[io sono malala riassunto skoola net](#) - Jun 15 2023

web io sono malala è un libro autobiografico scritto da malala yousafzai in collaborazione con la giornalista inglese christina lamb pubblicato il 29 ottobre 2013

io sono malala garzanti - May 14 2023

web io sono malala questa è la mia storia malala yousafzai ha solo dieci anni quando i talebani occupano il suo villaggio gridano che la musica è un crimine che alle donne non è permesso andare al mercato che le ragazze non possono andare a scuola

io sono malala la mia battaglia per la libertà e l'istruzione delle - Nov 08 2022

web io sono malala la mia battaglia per la libertà e l'istruzione delle donne yousafzai malala lamb christina cherchi stefania amazon it libri

[io sono malala malala yousafzai riassunto del libro pdf](#) - Jul 04 2022

web il libro io sono malala è stato scritto da malala yousafzai e pubblicato nel 2013 questa autobiografia racconta la storia dell'infanzia di malala e della sua famiglia mostrando le differenze di vita prima durante e dopo i talebani

[io sono malala letto da alice protto amazon com tr](#) - May 02 2022

web io sono malala letto da alice protto lamb christina yousafzai malala amazon com tr kitap

io sono malala amazon com tr kitap - Mar 12 2023

web arama yapmak istediğiniz kategoriye seçin

[hitachi ex models service repair workshop manuals](#) - Jan 24 2023

web items 1 24 of 643 page 1 27 our ex models hitachi excavators workshop manuals contain in depth maintenance service and repair information get your manual now

[hitachi ex12 ex15 ex22 ex25 ex30 ex35 ex40 ex45](#) - May 28 2023

web feb 27 2019 instant download add to cart complete workshop manual for hitachi ex12 ex15 ex18 ex22 ex25 ex30 ex35 ex40 ex45 excavators it is the same service manual used by dealers that guaranteed to be fully functional and intact without any missing page

hitachi excavators user manuals download manualslib - Feb 22 2023

web manualslib has more than 214 hitachi excavators manuals click on an alphabet below to see the full list of models starting with that letter 0 1 2 3 e z popular manuals 442 pages zaxis 135us 5b operator s manual 461 pages zaxis 120 3 class operator s manual 384 pages ex200 2 workshop manual 477 pages zaxis 450lc 3 operator s manual 340

hitachi excavators service repair and workshop manuals pdf - Sep 19 2022

web jan 16 2023 specifications maximum digging radius is 6760 mm boom length is 4270 mm weight is 7100 7600 kg ground clearance is 360 cm the zero tail idea upon which the excavator s equipment was developed ensures that the platform never extends beyond the bounds of the caterpillar bogie when the body is turned

hitachi ex8 ex12 ex15 ex22 ex30 workshop manual excavator - Apr 26 2023

web nov 24 2020 factory service repair manual for hitachi ex8 ex12 ex15 ex22 ex30 excavators tons of illustrations instructions diagrams for step by step remove and install assembly and disassembly service inspection repair troubleshooting tune ups

hitachi ex 15 service manual 2023 ecobankpayservices ecobank - Feb 10 2022

web hitachi ex 15 service manual hitachi service manual download pdf hitachi ex 15 service manual veteransskiarea hitachi ex models service repair workshop manuals mobi hitachi ex 15 service manual hitachi ex 15 service manual free textbook pdf free hitachi diagrams schematics service manuals hitachi ex200 2

[hitachi ex12 2 ex15 2 ex18 2 ex22 2 ex25 2 ex30 2 ex35 2 ex40 youtube](#) - Aug 19 2022

web this is the complete official full factory service repair manual for the hitachi ex12 15 18 22 25 30 35 40 45 2 excavator old paper service manuals just don t compare this digital excavator

[hitachi ex150lc 5 excavator service repair manual pdf](#) - Nov 21 2022

web hitachi ex150lc 5 excavator service repair manual pdf free download as pdf file pdf text file txt or read online for free

hitachi ex8 ex12 ex15 ex22 ex30 excavator service repair manual - Oct 01 2023

web hitachi ex8 ex12 ex15 ex22 ex30 excavator service repair manual this highly detailed repair manual covers all repairs and servicing all technical details taken directly from the manufacturer can be found in this manual it is

hitachi ex15 excavator parts manual pdf download service manual - Apr 14 2022

web this hitachi ex15 excavator parts manual pdf download provides detailed illustrations and step by step instructions to help you easily repair service and maintain your machine it is compatible with all windows and mac operating

hitachi ex15 2 manual by pdfs manuals issuu - Mar 14 2022

web aug 17 2022 hitachi ex15 2 manual hitachi ex12 2 ex15 2 ex18 2 ex22 2 ex25 2 ex30 2 ex35 2 ex40 2 ex45 2 hydraulic excavator service repair manual complete service manual available for instant download to

hitachi ex150 hydraulic excavator complete workshop service repair manual - Jul 18 2022

web hitachi ex150 hydraulic excavator complete workshop service repair manual thanks for taking the time to look at this complete service repair workshop manual this able manual covers every service repair procedure you will need description you can now save yourself big money by doing your own repairs

hitachi ex15 excavator operators manual equipment service - Aug 31 2023

web this set of pdf manuals includes workshop manuals and operator s manual for excavator hitachi ex15 these manuals are written for an experienced technician to provide technical information needed to maintain and repair this machine these manuals are presented in

hitachi ex200 2 workshop manual pdf download manualslib - Oct 21 2022

web view and download hitachi ex200 2 workshop manual online hydraulic excavator ex200 2 excavators pdf manual download

hitachi ex excavator service manuals and spare parts catalogs - Jul 30 2023

web hitachi ex8 crawler excavator spare parts catalog service workshop manual operator s manual 3500203 ex12 hitachi ex12 crawler excavator spare parts catalog service workshop manual operator s manual 3500204 ex15 hitachi ex15 crawler excavator spare parts catalog service workshop manual operator s manual

hitachi ex15 mini excavator parts catalog manual serial - Jun 16 2022

web hitachi ex15 mini excavator parts catalog manual serial number 000101 and up parts catalog manual contents upperstructure undercarriage front end attachments optional parts tools name plate serial number 000101 and up part number p1a7 1 5 file format total pages 224 manual language english

hitachi ex15 2 service manual plant manuals uk - Dec 23 2022

web hitachi ex15 2 service manual this manual contains all you need to know to service and repair your hitachi excavator from changing a diesel filter to a final drive repair included in this manual are the following sections safety general

information upperstructure undercarriage front attachment engine

[hitachi ex12 2 ex15 2 ex18 2 ex22 2 excavator service manual](#) - Jun 28 2023

web aug 23 2020 hitachi ex12 2 ex15 2 ex18 2 ex22 2 excavator service manual pdf download 15 fuel sensor 16 solenoid valve type b 17 pilot shut off switch type b 18 horn

[hitachi ex12 ex15 ex22 ex25 ex30 ex35 ex40 ex45 manual](#) - Mar 26 2023

web feb 27 2019 complete operator s manual for hitachi ex12 ex15 ex22 ex25 ex30 ex35 ex40 ex45 excavator that guaranteed to be fully functional and intact without any missing page this operator s manual is divided into different sections

hitachi ex150lc 5 ex160lc 5 excavator service repair workshop manual - May 16 2022

web all technical details taken directly from the manufacturer can be found in this manual it is the factory manual from the manufacturer hitachi ex150lc 5 ex160lc 5 excavator service repair manual is the same manual used by professional technicians mechanics and workshops around the world

[pedro y el pesimismo biblioteca de inteligencia e wrbb neu](#) - May 08 2022

web pedro y el pesimismo biblioteca de inteligencia e 1 pedro y el pesimismo biblioteca de inteligencia e when somebody should go to the books stores search initiation by shop shelf by shelf it is truly problematic this is why we present the books compilations in this website it will no question ease you to look guide pedro y el pesimismo

bilim tarihi ve felsefesi - Mar 06 2022

web prof dr hüseyin gazi topdemir prof dr yavuz unat bilim tarihi ve felsefesi isbn 978 605 241 998 4 doi 10 14527 9786052419984 kitap içeriğinin tüm sorumluluğu yazarlarına aittir

pedro y el pesimismo biblioteca de inteligencia e copy - Apr 07 2022

web mar 10 2023 pedro y el pesimismo biblioteca de inteligencia e 1 6 downloaded from uniport edu ng on march 10 2023 by guest pedro y el pesimismo biblioteca de inteligencia e as recognized adventure as skillfully as experience approximately lesson amusement as with ease as harmony can be gotten by just checking out a ebook

[pedro y el pesimismo biblioteca de inteligencia e pdf](#) - Jul 22 2023

web los niños pedro y el pesimismo biblioteca de inteligencia e downloaded from tpc redmatters com by guest richard herrera pedro henríquez ureña dahbar centenary subjects examines the ideological debates and didactic exercises in subject formation during the centenary era of independence the decade of the 1910s the peak of

[pdf pedro y el pesimismo biblioteca de inteligencia e](#) - Mar 18 2023

web su particular vision del mundo para triunfar y conseguir que sus preocupaciones le acaben siendo rentables el nacimiento de la tragedia o grecia y el pesimismo jul 12 2022 schopenhauer la lucidez del pesimismo aug 21 2020 gigantes como borges thomas mann tolstói nietzsche o wittgenstein experimentaron fascinación por arthur

pedro y el pesimismo biblioteca de inteligencia e pdf - May 20 2023

web pedro y el pesimismo biblioteca de inteligencia e 1 pedro y el pesimismo biblioteca de inteligencia e leopoldo calvo sotelo de oñate a la granja el pesimismo en tres novelas dominicanas de la posguerra el capitán veneno figuras y antología de literatura ecuatoriana pedro henríquez ureña spanish new york narratives 1898 1936 obras

pedro y el pesimismo biblioteca de inteligencia e pdf - Aug 23 2023

web pedro y el pesimismo biblioteca de inteligencia e el derecho de la sociedad en red feb 22 2021 el objetivo del libro es presentar a lectores juristas o no interesados varias impresiones sobre las caractersticas del derecho y el estado de la sociedad en red en estos momentos iniciada la segunda dcada del

eğitim felsefesi e kitap turcademy - Oct 13 2022

web eğitim felsefesi isbn 9786051701561 2020 eğitim bilimleri veysel sönmez anı yayıncılık kitapta felsefe ile eğitim arasındaki ilişki ve bunun neden zorunlu olduğu temellendirilmeye çalışılmıştır bunun için hem felsefenin hem eğitimin temel özelliklerinden hareket edilmiştir bir ders kitabında bulunması gerekli iki

pedro y el pesimismo biblioteca de inteligencia e abelardo de - Dec 15 2022

web pedro y el pesimismo biblioteca de inteligencia e as recognized adventure as without difficulty as experience very nearly lesson amusement as capably as concurrence can be gotten by just checking out a books pedro y el pesimismo biblioteca de inteligencia e then it is not directly done you could resign yourself to even more concerning this

pedro y el pesimismo biblioteca de inteligencia emocional y - Jun 21 2023

web pedro y el pesimismo biblioteca de inteligencia emocional y educación en valores sentimientos y valores monreal díaz violeta monreal díaz violeta amazon es libros

pedro y el pesimismo biblioteca de inteligencia e abelardo de - Apr 19 2023

web pedro y el pesimismo biblioteca de inteligencia e is available in our book collection an online access to it is set as public so you can download it instantly our digital library hosts in multiple countries allowing you to get the most less latency time to download any of our books like this one

pedro y el pesimismo biblioteca de inteligencia e copy - Jun 09 2022

web jul 21 2023 pedro y el pesimismo biblioteca de inteligencia e 3 6 downloaded from uniport edu ng on july 21 2023 by guest letras de méxico v enero de 1945 diciembre de 1946 vi enero marzo de 1947 varios 2019 01 10 revistas literarias mexicanas modernas es una serie publicada por el fondo de cultura económica con el propósito de poner

pozitivizm bilim ve düşünce kitap dizisi 3 evrensel basım yayın - Jul 10 2022

web 50 00 tl 35 00 tl 578 adet satıldı evrensel komisyon evrensel yayınları 9789756106266 psikoloji sosyoloji felsefe kitapları felsefe pozitivizm bilim ve düşünce kitap dizisi 3 evrensel basım yayın 9789756106266

[sistema de información científica redalyc red de revistas](#) - Aug 11 2022

web cómo influye el optimismo o el pesimismo en la forma de tomar decisiones este artículo analiza las diferencias entre los estilos de pensamiento optimista y pesimista y cómo afectan a la resolución de problemas la autoestima y el bienestar psicológico además se propone la resiliencia como una habilidad para afrontar las situaciones difíciles con una

pedro y el pesimismo biblioteca de inteligencia e anne frank - Feb 17 2023

web pedro y el pesimismo biblioteca de inteligencia e this is likewise one of the factors by obtaining the soft documents of this pedro y el pesimismo biblioteca de inteligencia e by online you might not require more epoch to spend to go to the ebook initiation as well as search for them in some cases you likewise do not discover the

[pedro y el pesimismo biblioteca de inteligencia e pdf](#) - Feb 05 2022

web biblioteca de inteligencia emocional y educación en valores bibliotheca hispana pedro y el pesimismo biblioteca de inteligencia e downloaded from eagldemo2 eagltechnology com by guest daphne choi centenary subjects siglo xxi on april 24 1965 a civil revolt broke out in the dominican republic splitting the nation into

pdf pedro y el pesimismo biblioteca de inteligencia e - Jan 16 2023

web el examen de la inteligencia y de la personalidad del niño aug 31 2020 amor en la biblioteca nov 26 2022 esta maravillosa historia romantica en trama recreada en la época de regencia inglesa dónde los prejuicios y frivolidades se contrastan con personajes llenos de los más altos valores

[pedro y el pesimismo biblioteca de inteligencia e francisco](#) - Sep 12 2022

web aparecidas en méxico en la primera mitad del siglo xx de esta manera el curioso lector y el estudioso de nuestras letras tendrán a su alcance este sector de la literatura nacional de acceso tan difícil y de tanto interés documental con el objeto de facilitar su consulta cada revista va precedida por una presentación y una ficha

derleyenler m erdem Özgür alper duman alp yÜcel kaya türkiye de - Nov 14 2022

web türkiye de iktisadi düşüncüyü toplumsal dinamiklerden ayrı düşünmek mümkün değildir bunlardan ayrı bir teorik alan ve akım hiçbir zaman görülmemiştir Özveren in deyişiyile türki ye de iktisadi düşünce politika çeşitlidir kriz ve reform dö nemleri düşünce ve tartışmaları yoğunlaştırmaktadır 18 yüz

[pedro y el pesimismo biblioteca de inteligencia e download](#) - Sep 24 2023

web oct 14 2023 pedro y el pesimismo biblioteca de inteligencia e pedro y el pesimismo biblioteca de inteligencia e 3 downloaded from ead3 archivists org on 2022 12 11 by guest contemporary discourses on a wide variety of topics related to the ideological and epistemological changes of the 19th 20th and 21st centuries and the