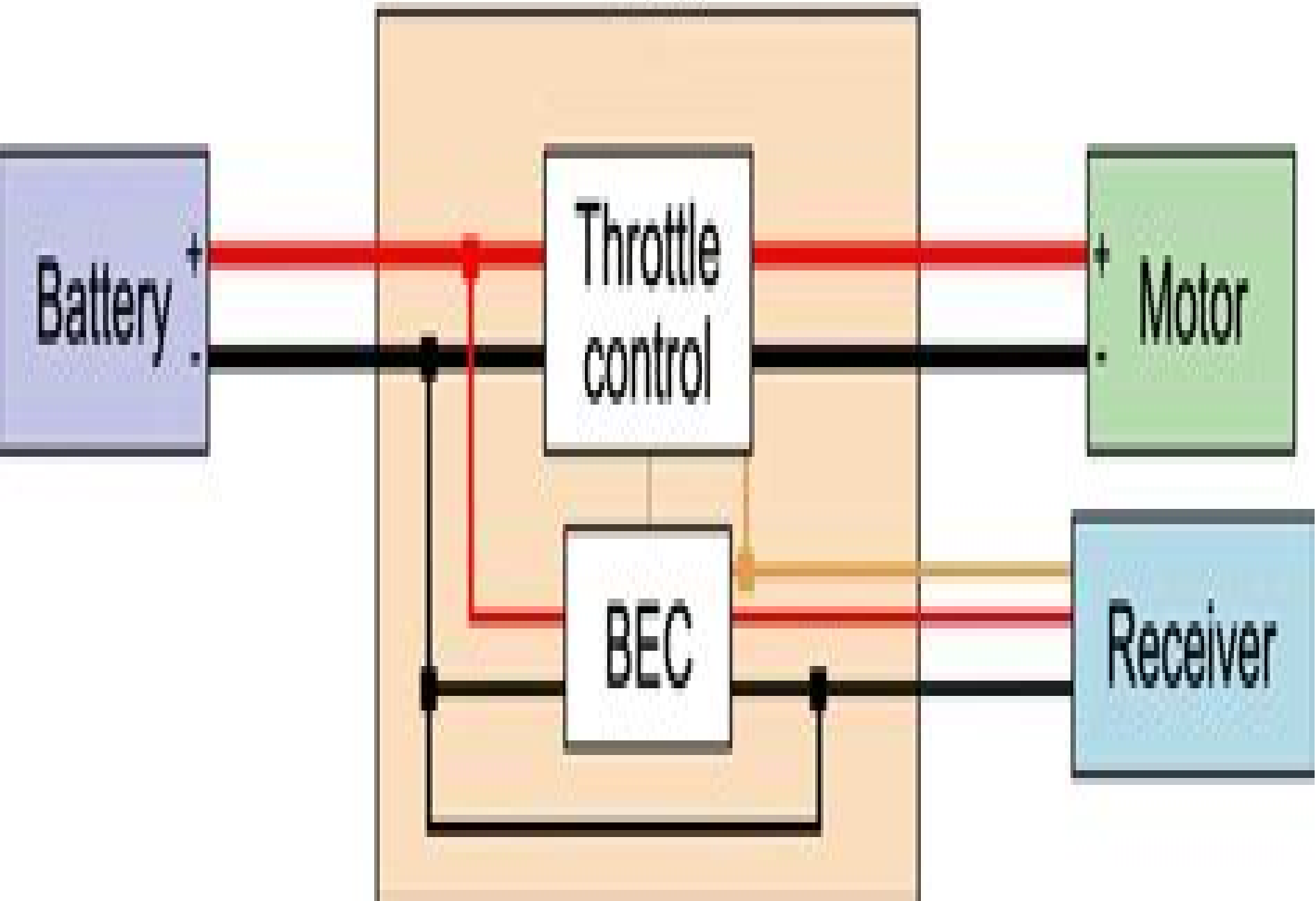


# ESC



# E Speed Controller Esc Please Note Wiring

**Chilton Book Company**



## **E Speed Controller Esc Please Note Wiring:**

Digital Circuit Design Laboratory Manual, 4th edition (Global) Akhan Almagambetov, J. Matt Pavlina, Yelena Mukhortova,

**Springer Handbook of Automation** Shimon Y. Nof, 2023-06-16 This handbook incorporates new developments in automation. It also presents a widespread and well-structured conglomeration of new emerging application areas such as medical systems and health transportation security and maintenance service construction and retail as well as production or logistics. The handbook is not only an ideal resource for automation experts but also for people new to this expanding field.

*Laser Propulsion in Space* Claude Phipps, 2024-06-04 Space launches have evoked the same vivid image for decades: bright orange flames exploding beneath a rocket as it lifts off and thunders into the sky. An alternative acceleration system could reshape that vision forever with rockets leaving their energy source on the ground or in space. *Laser Propulsion in Space: Fundamentals, Technology, and Future Missions* takes readers on a comprehensive journey from the theoretical overview of propulsion fundamentals to reviews of current projects involving high-power CW fiber lasers and energetic mm-wave sources with their ongoing and potential end-use applications in beamed energy propulsion. BEP. Written by experts in the field, this mathematically sound reference text also highlights graphical solutions of equations, results, as well as case studies with worked-out examples, making this book an invaluable compendium for students, researchers, technology developers, and futurists in understanding the promise and challenges of this emerging technology. Covers beamed energy propulsion advances. Highlights state-of-the-art BEP applications of LEO debris removal, suborbital and orbital launch, solar system exploration, and interstellar lightsail probes, as well as advances in related photon source technologies and infrastructures. Includes opinion sections explaining why we, as a technical society, should care about each chapter's topic and the considerably good outcomes that can be achieved with laser engines. Is accompanied by a website with video clips and other ancillary materials to enhance insight. Arduino in Action Jordan Hochenbaum, Joshua Noble, Martin

Evans, 2013-05-29 Summary: *Arduino in Action* is a hands-on guide to prototyping and building electronics using the Arduino platform. Suitable for both beginners and advanced users, this easy-to-follow book begins with the basics and then systematically guides you through projects ranging from your first blinking LED through connecting Arduino to devices like game controllers or your iPhone. About the Technology: Arduino is an open-source, do-it-yourself electronics platform that supports a mind-boggling collection of sensors and actuators you can use to build anything you can imagine. Even if you've never attempted a hardware project, this easy-to-follow book will guide you from your first blinking LED through connecting Arduino to your iPhone. About this Book: *Arduino in Action* is a hands-on guide to prototyping and building DIY electronics. You'll start with the basics: unpacking your board and using a simple program to make something happen. Then you'll attempt progressively more complex projects as you connect Arduino to motors, LCD displays, Wi-Fi, GPS, and Bluetooth. You'll explore input/output sensors including ultrasound, infrared, and light, and then use them for tasks like robotic obstacle avoidance.

Arduino programs look a lot like C or C++ so some programming skill is helpful What's Inside Getting started with Arduino no experience required Writing programs for Arduino Sensing and responding to events Robots flying vehicles Twitter machines LCD displays and more Purchase of the print book includes a free eBook in PDF Kindle and ePub formats from Manning Publications About the Authors Martin Evans is a professional developer a lifelong electronics enthusiast and the creator of an Arduino based underwater ROV Joshua Noble is an author and creative technologist who works with smart spaces Jordan Hochenbaum uses Arduino to explore musical expression and creative interaction Table of Contents Part 1 Getting started Chapter 1 Hello Arduino Chapter 2 Digital input and output Chapter 3 Simple projects input and output Part 2 Putting Arduino to work Chapter 4 Extending Arduino Chapter 5 Arduino in motion Chapter 6 Object detection Chapter 7 LCD displays Chapter 8 Communications Chapter 9 Game on Chapter 10 Integrating the Arduino with iOS Chapter 11 Making wearables Chapter 12 Adding shields Chapter 13 Software integration **Chilton's General Motors**

**Cavalier/Sunbird/Skyhawk/Firenza 1982-94 Repair Manual** Matthew E. Frederick,1999 **Internet of Drones** Saravanan Krishnan,M. Murugappan,2023-05-15 This book covers different aspects of Internet of Drones IoD including fundamentals in drone design deployment challenges and development of applications It starts with a detailed description of concepts and processes in designing an efficient system and architecture It details different applications of IoD and its implementations in smart cities agriculture health care defense security logistics GIS mapping and so forth Recent developments in IoD design application of AI techniques case studies and future directions are covered Features Focuses on important perspectives of the Internet of Drones IoD Emphasizes drone deployment in smart cities smart agriculture smart health care and 3D mapping Covers challenges in drone design for applications with security and privacy issues Reviews diversified drone applications with real use cases from modern drone players ranging from start up companies to big giants in the drone industry Includes different aspects of drone design such as hardware and software architecture potential applications and opportunities This book is aimed at researchers and professionals in computer sciences electronics and communication engineering and aeronautical engineering Chilton's Auto Repair Manual 1989-1993 ,1992-10 Documents

specifications repairs and servicing procedures for individual models and provides information on component repair and overhaul **Chilton's Repair Manual** Dean Morgantini,Richard J. Rivele,1991 Chilton's Auto Repair Manual, 1991 Chilton Book Company,1990 Chilton's Auto Repair Manual 1982 Alan F. Turner,1981 Chilton's GM ,1996 Covers all models of Cadillac Cimarron Chevrolet Cavalier Buick Skyhawk Oldsmobile Firenza and Pontiac 2000 Sunbird Sunfire

Automotive Computers and Digital Instrumentation Robert N. Brady,1988 **Chilton's Auto Repair Manual 1986** Chilton Book Company,1985 *GM Celebrity, Century, Ciera and 6000, 1982-96* Chilton,Np-Chilton,1999-03 Offers do it yourselfers all levels of total maintenance service and repair information for these popular GM models 800 illustrations 500 photos Popular Electronics ,1976 *Commerce Business Daily* ,1998-07 *Radio-electronics* ,1976 Electronic

Design ,1985

*Air Trails Pictorial* ,1963

*The Federal Cases* ,1897

Eventually, you will agreed discover a new experience and execution by spending more cash. still when? pull off you take on that you require to get those all needs similar to having significantly cash? Why dont you attempt to get something basic in the beginning? Thats something that will lead you to comprehend even more more or less the globe, experience, some places, in imitation of history, amusement, and a lot more?

It is your unconditionally own time to play reviewing habit. in the midst of guides you could enjoy now is **E Speed Controller Esc Please Note Wiring** below.

<https://py.bijouxmedusa.com/data/Resources/index.jsp/5%201452%20TikTok%20Marketing%20Examples%20For%20Creators%2025%201705%20TikTok%20Marketing.pdf>

## **Table of Contents E Speed Controller Esc Please Note Wiring**

1. Understanding the eBook E Speed Controller Esc Please Note Wiring
  - The Rise of Digital Reading E Speed Controller Esc Please Note Wiring
  - Advantages of eBooks Over Traditional Books
2. Identifying E Speed Controller Esc Please Note Wiring
  - Exploring Different Genres
  - Considering Fiction vs. Non-Fiction
  - Determining Your Reading Goals
3. Choosing the Right eBook Platform
  - Popular eBook Platforms
  - Features to Look for in an E Speed Controller Esc Please Note Wiring
  - User-Friendly Interface
4. Exploring eBook Recommendations from E Speed Controller Esc Please Note Wiring
  - Personalized Recommendations
  - E Speed Controller Esc Please Note Wiring User Reviews and Ratings
  - E Speed Controller Esc Please Note Wiring and Bestseller Lists

5. Accessing E Speed Controller Esc Please Note Wiring Free and Paid eBooks
  - E Speed Controller Esc Please Note Wiring Public Domain eBooks
  - E Speed Controller Esc Please Note Wiring eBook Subscription Services
  - E Speed Controller Esc Please Note Wiring Budget-Friendly Options
6. Navigating E Speed Controller Esc Please Note Wiring eBook Formats
  - ePub, PDF, MOBI, and More
  - E Speed Controller Esc Please Note Wiring Compatibility with Devices
  - E Speed Controller Esc Please Note Wiring Enhanced eBook Features
7. Enhancing Your Reading Experience
  - Adjustable Fonts and Text Sizes of E Speed Controller Esc Please Note Wiring
  - Highlighting and Note-Taking E Speed Controller Esc Please Note Wiring
  - Interactive Elements E Speed Controller Esc Please Note Wiring
8. Staying Engaged with E Speed Controller Esc Please Note Wiring
  - Joining Online Reading Communities
  - Participating in Virtual Book Clubs
  - Following Authors and Publishers E Speed Controller Esc Please Note Wiring
9. Balancing eBooks and Physical Books E Speed Controller Esc Please Note Wiring
  - Benefits of a Digital Library
  - Creating a Diverse Reading Collection E Speed Controller Esc Please Note Wiring
10. Overcoming Reading Challenges
  - Dealing with Digital Eye Strain
  - Minimizing Distractions
  - Managing Screen Time
11. Cultivating a Reading Routine E Speed Controller Esc Please Note Wiring
  - Setting Reading Goals E Speed Controller Esc Please Note Wiring
  - Carving Out Dedicated Reading Time
12. Sourcing Reliable Information of E Speed Controller Esc Please Note Wiring
  - Fact-Checking eBook Content of E Speed Controller Esc Please Note Wiring
  - Distinguishing Credible Sources
13. Promoting Lifelong Learning

- Utilizing eBooks for Skill Development
  - Exploring Educational eBooks
14. Embracing eBook Trends
- Integration of Multimedia Elements
  - Interactive and Gamified eBooks

### **E Speed Controller Esc Please Note Wiring Introduction**

E Speed Controller Esc Please Note Wiring Offers over 60,000 free eBooks, including many classics that are in the public domain. Open Library: Provides access to over 1 million free eBooks, including classic literature and contemporary works. E Speed Controller Esc Please Note Wiring Offers a vast collection of books, some of which are available for free as PDF downloads, particularly older books in the public domain. E Speed Controller Esc Please Note Wiring : This website hosts a vast collection of scientific articles, books, and textbooks. While it operates in a legal gray area due to copyright issues, its a popular resource for finding various publications. Internet Archive for E Speed Controller Esc Please Note Wiring : Has an extensive collection of digital content, including books, articles, videos, and more. It has a massive library of free downloadable books. Free-eBooks E Speed Controller Esc Please Note Wiring Offers a diverse range of free eBooks across various genres. E Speed Controller Esc Please Note Wiring Focuses mainly on educational books, textbooks, and business books. It offers free PDF downloads for educational purposes. E Speed Controller Esc Please Note Wiring Provides a large selection of free eBooks in different genres, which are available for download in various formats, including PDF. Finding specific E Speed Controller Esc Please Note Wiring, especially related to E Speed Controller Esc Please Note Wiring, might be challenging as theyre often artistic creations rather than practical blueprints. However, you can explore the following steps to search for or create your own Online Searches: Look for websites, forums, or blogs dedicated to E Speed Controller Esc Please Note Wiring, Sometimes enthusiasts share their designs or concepts in PDF format. Books and Magazines Some E Speed Controller Esc Please Note Wiring books or magazines might include. Look for these in online stores or libraries. Remember that while E Speed Controller Esc Please Note Wiring, sharing copyrighted material without permission is not legal. Always ensure youre either creating your own or obtaining them from legitimate sources that allow sharing and downloading. Library Check if your local library offers eBook lending services. Many libraries have digital catalogs where you can borrow E Speed Controller Esc Please Note Wiring eBooks for free, including popular titles. Online Retailers: Websites like Amazon, Google Books, or Apple Books often sell eBooks. Sometimes, authors or publishers offer promotions or free periods for certain books. Authors Website Occasionally, authors provide excerpts or short stories for free on their websites. While this might not be the E Speed Controller Esc Please Note Wiring full book , it can give you a taste of the authors

writing style. Subscription Services Platforms like Kindle Unlimited or Scribd offer subscription-based access to a wide range of E Speed Controller Esc Please Note Wiring eBooks, including some popular titles.

### **FAQs About E Speed Controller Esc Please Note Wiring Books**

1. Where can I buy E Speed Controller Esc Please Note Wiring books? Bookstores: Physical bookstores like Barnes & Noble, Waterstones, and independent local stores. Online Retailers: Amazon, Book Depository, and various online bookstores offer a wide range of books in physical and digital formats.
2. What are the different book formats available? Hardcover: Sturdy and durable, usually more expensive. Paperback: Cheaper, lighter, and more portable than hardcovers. E-books: Digital books available for e-readers like Kindle or software like Apple Books, Kindle, and Google Play Books.
3. How do I choose a E Speed Controller Esc Please Note Wiring book to read? Genres: Consider the genre you enjoy (fiction, non-fiction, mystery, sci-fi, etc.). Recommendations: Ask friends, join book clubs, or explore online reviews and recommendations. Author: If you like a particular author, you might enjoy more of their work.
4. How do I take care of E Speed Controller Esc Please Note Wiring books? Storage: Keep them away from direct sunlight and in a dry environment. Handling: Avoid folding pages, use bookmarks, and handle them with clean hands. Cleaning: Gently dust the covers and pages occasionally.
5. Can I borrow books without buying them? Public Libraries: Local libraries offer a wide range of books for borrowing. Book Swaps: Community book exchanges or online platforms where people exchange books.
6. How can I track my reading progress or manage my book collection? Book Tracking Apps: Goodreads, LibraryThing, and Book Catalogue are popular apps for tracking your reading progress and managing book collections. Spreadsheets: You can create your own spreadsheet to track books read, ratings, and other details.
7. What are E Speed Controller Esc Please Note Wiring audiobooks, and where can I find them? Audiobooks: Audio recordings of books, perfect for listening while commuting or multitasking. Platforms: Audible, LibriVox, and Google Play Books offer a wide selection of audiobooks.
8. How do I support authors or the book industry? Buy Books: Purchase books from authors or independent bookstores. Reviews: Leave reviews on platforms like Goodreads or Amazon. Promotion: Share your favorite books on social media or recommend them to friends.
9. Are there book clubs or reading communities I can join? Local Clubs: Check for local book clubs in libraries or

community centers. Online Communities: Platforms like Goodreads have virtual book clubs and discussion groups.

10. Can I read E Speed Controller Esc Please Note Wiring books for free? Public Domain Books: Many classic books are available for free as they're in the public domain. Free E-books: Some websites offer free e-books legally, like Project Gutenberg or Open Library.

### **Find E Speed Controller Esc Please Note Wiring :**

[25-1452 TikTok marketing examples for creators](#) [25-1705 TikTok marketing States](#) [25-82 crypto investing review for creators](#) [25-469 crypto checklist for entrepreneurs](#) [25-1661 remote work checklist for entrepreneurs](#) [25-2095 side hustles software for small business](#) [25-766 retirement planning guide for small business](#) [25-877 retirement planning travel trends for creators](#) [25-1216 budget travel tutorial America](#) **25-2145 mental wellness trends United States** **25-2566 mental wellness content marketing trends for creators** [25-1298 content marketing trends](#) [25-2445 startup funding case study for small business](#) [25-2613 startup USA](#) **25-1364 crypto investing explained United States** **25-1637 crypto monetization comparison USA** [25-2879 blog monetization comparison USA tips for entrepreneurs](#) **25-1367 NFT marketplace tips for entrepreneurs finance blueprint America** **25-1918 personal finance blueprint for startup funding comparison for entrepreneurs** [25-185 startup funding blueprint USA](#) [25-1748 productivity hacks blueprint United States](#) [25-468](#)

### **E Speed Controller Esc Please Note Wiring :**

*radiology case review series spine english editio pdf* - May 05 2022

web feb 20 2023 radiology case review series spine english editio 1 13 downloaded from uniport edu ng on february 20 2023 by guest radiology case review series spine english editio right here we have countless books radiology case review series spine english editio and collections to check out

**radiology case review series spine english editio pdf 2023** - Jul 07 2022

web radiology case review series spine english editio pdf decoding radiology case review series spine english editio pdf

revealing the captivating potential of verbal expression in an era characterized by interconnectedness and an insatiable thirst for knowledge the captivating potential of verbal expression has emerged as a formidable

[radiology case review series spine english editio pdf](#) - Feb 14 2023

web this new volume in the best selling case review series presents the best of 200 brain spine and head and neck case studies to challenge your knowledge of a full range of topics in neuroradiology designed to fully prepare you for the neuroradiology section of the general radiology boards and the neuroradiology subspecialty

**radiology case review series spine english editio pdf** - Jan 01 2022

web radiology case review series spine english editio 1 15 downloaded from uniport edu ng on june 18 2023 by guest radiology case review series spine english editio this is likewise one of the factors by obtaining the soft documents of this radiology case review series spine english editio by online you might not

[spine imaging case review series 3rd edition efrat saraf lavi](#) - Sep 21 2023

web oct 30 2013 spine imaging case review series 3rd edition author by efrat saraf lavi md spine imaging a title in the popular case review series helps you effectively prepare for certification recertification and practice in spine imaging with case studies that test your knowledge of all essential topics this medical reference book view more

[radiology case review series spine english editio copy](#) - Feb 02 2022

web jun 13 2023 radiology case review series spine english editio as one of the most in action sellers here will totally be among the best options to review spinal imaging herwig imhof 2011 01 01 dx direct is a series of eleven thieme

**spine imaging case review series expert consult google** - May 17 2023

web oct 30 2013 reviewed by gary culpan university of bradford on behalf of rad magazine oct 14 prepare effectively by reviewing 160 spine imaging cases organized by level of difficulty that mimic the new

[radiology case review series spine english edition by allison](#) - Dec 12 2022

web jun 15 2023 radiology case review series spine english edition by allison michele grayev sayed ali reuben gretch our virtual library hosts in many positions enabling you to obtain the least delay period to download any of our books like this one get the radiology case review series spine english edition by allison michele

**radiology case review series spine apple books** - Apr 16 2023

web may 1 2015 radiology case review series features more than 150 cases for each volume which consist of precise state of the art images accompanied by questions and answers descriptions of the entities insightful clinical pearls and reference lists

**radiology case review series spine english editio pdf** - Oct 10 2022

web jul 7 2023 radiology case review series spine english editio 1 1 downloaded from uniport edu ng on july 7 2023 by guest radiology case review series spine english editio right here we have countless ebook radiology case review series spine

english editio and collections to check out

*cases radiopaedia org* - Mar 15 2023

web nov 18 2023 cases by sharing our collective experience through interesting patient cases we can make a real difference in how people are imaged and diagnosed each case belongs to a contributing member which can then be viewed and added to articles or playlists by the community and is guided by dedicated editors to match quality standards

*case report radiology reference article radiopaedia org* - Nov 11 2022

web jun 3 2016 purpose the purpose of a radiology case report is to describe the patient history clinical course and imaging for a notable or unusual case the case may be intended to aid other practitioners in interpretation but frequently the oddity rarity and non generalisibility of cases are meant more to amuse or entertain the reader

**spine imaging case review series edition 3 by efrat saraf** - Jul 19 2023

web prepare effectively by reviewing 160 spine imaging cases organized by level of difficulty that mimic the new format of radiology certification and recertification exams every case includes at least 3 images and 4 multiple choice review questions along with rationales that explain why each answer is correct or incorrect

**radiology case re series spine english editio 2023 pivotid uvu** - Sep 09 2022

web radiology case re series spine english editio 2 downloaded from pivotid uvu edu on 2023 03 21 by guest musculoskeletal imaging the requisites 4th edition delivers the conceptual factual and interpretive information you need for effective

[radiology case review series spine english editio](#) - Apr 04 2022

web radiology case review series spine english editio right here we have countless ebook radiology case review series spine english editio and collections to check out we additionally offer variant types and plus type of the books to browse

[radiology case review series spine english editio copy](#) - Mar 03 2022

web apr 4 2023 radiology case review series spine english editio is available in our book collection an online access to it is set as public so you can download it instantly our books collection hosts in multiple countries allowing you to get the most less latency time to download any of our books like this one merely said the radiology case

**radiology case review series spine english editio john a m** - Jun 18 2023

web radiology case review series spine english editio radiology case review series spine english editio 3 downloaded from resources jsheld com on 2021 01 25 by guest the spine such as congenital vascular neoplastic inflammatory infectious and traumatic cases including abnormal imaging findings

**radiology case review series spine english editio copy** - Jun 06 2022

web sep 28 2023 radiology case review series spine english editio 1 1 downloaded from uniport edu ng on september 28 2023 by guest radiology case review series spine english editio if you ally infatuation such a referred radiology case review

series spine english editio ebook that will have the funds for you worth acquire the unconditionally  
[radiology case review series spine english editio download](#) - Aug 08 2022

web series is filled with cases annotated images questions and answers pearls and relevant literature references that will efficiently prepare you for virtually any exam topic

[radiology case review series spine english editio full pdf](#) - Nov 30 2021

web 2 2 radiology case review series spine english editio 2022 03 07 that residents and practitioners need to know keep up with cutting edge topics

[radiology case review series spine mheducation com sg](#) - Oct 22 2023

web publisher s note products purchased from third party sellers are not guaranteed by the publisher for quality authenticity or access to any online entitlements included with the product more than 150 spinal radiology cases deliver the best board review possible part of mcgraw hill s radiology case review series this unique resource challenges you to

[case series radiology reference article radiopaedia org](#) - Jan 13 2023

web jul 27 2022 the case series has many of the same advantages and disadvantages of the case report the presentation of multiple cases lends more weight to an underlying hypothesis stated or unstated than does a single case report the case series has less power in defending a hypothesis than other retrospective or prospective studies however

**cases system spine radiopaedia org** - Aug 20 2023

web nov 14 2023 2 496 results found case lumbar hemivertebra and crossed fused renal ectopia diagnosis almost certain mostafa el feky published 18 nov 2023 75 complete ct case spinal cystic schwannoma diagnosis certain dr nidhi visana published 17 nov 2023 92 complete mri case spinous process fractures l1 and l2 diagnosis

[fundamentals of electric circuits charles k alexander](#) - Nov 27 2022

web alexander and sadiku s sixth edition of fundamentals of electric circuits continues in the spirit of its successful previous editions with the objective of presenting circuit analysis in a

**fundamentals of electric circuits 7th edition charles k alexander** - Apr 20 2022

web replacement over seven editions fundamentals of electric circuits by charles alexander and matthew sadiku has become the definitive introductory for students and professors it presents circuit analysis in a manner that is clearer more interesting and easier to understand than other texts

[fundamentals of electric circuits mcgraw hill](#) - Jul 04 2023

web fundamentals of electric circuits fundamentals of electric circuits 7th edition isbn10 1260226409 isbn13 9781260226409 by charles alexander and matthew sadiku 2021 purchase options lowest price ebook from 59 00 print from 70 00 connect from 121 34 mcgraw hill ebook 180 days rental expires 5 3 2024 59 00

**fundamentals of electric circuits alexander charles k sadiku** - Sep 25 2022

web jan 1 2012 5th international edition alexander and sadiku s fifth edition of fundamentals of electric circuits continues in the spirit of its successful previous editions with the objective of presenting circuit analysis in a manner that is clearer more interesting and easier to understand than other more traditional texts

**fundamentals of electric circuits 4th edition alexander sadiku** - Oct 07 2023

web fundamentals of electric circuits 4th edition alexander sadiku pdf google drive

**fundamentals of electric circuits charles k alexander matthew sadiku** - Aug 05 2023

web alexander and sadiku s fifth edition of fundamentals of electric circuits continues in the spirit of its successful previous editions with the objective of presenting circuit analysis in a manner that is clearer more interesting and easier to understand than other more traditional texts

fundamentals of electric circuits 7th edition mathworks - Jan 30 2023

web fundamentals of electric circuits 7th edition charles k alexander cleveland state university matthew n o sadiku prairie view a m university mcgraw hill 2021 isbn 9781260226409 language english

*fundamentals of electric circuits alexander charles sadiku* - May 02 2023

web fundamentals of electric circuits ciltli kapak 13 ocak 2016 fundamentals of electric circuits continues in the spirit of its successful previous editions with the objective of presenting circuit analysis in a manner that is clearer more interesting and easier to understand than other more traditional texts

**fundamentals of electric circuits alexander charles sadiku** - Jun 03 2023

web 1 482 00 tl alexander and sadiku s sixth edition of fundamentals of electric circuits continues in the spirit of its successful previous editions with the objective of presenting circuit analysis in a manner that is clearer more interesting and easier to understand than other more traditional texts students are introduced to the sound

*fundamentals of electric circuits alexander charles sadiku* - Apr 01 2023

web jan 3 2020 fundamentals of electric circuits alexander charles sadiku matthew on amazon com free shipping on qualifying offers fundamentals of electric circuits

*fundamentals of electric circuits charles alexander matthew sadiku* - Feb 28 2023

web aug 27 2008 alexander and sadiku s fourth edition of fundamentals of electric circuits continues in the spirit of its successful previous editions with the objective of presenting circuit analysis in a manner that is clearer more interesting and easier to understand than other more traditional texts

fundamentals of electric circuits charles alexander matthew sadiku - Aug 25 2022

web charles alexander matthew sadiku mcgraw hill higher education 2006 house home 1056 pages presenting circuit

analysis this book introduces students to the sound six step problem solving methodology in chapter one and makes them apply and practice these steps in practice problems and homework problems

*fundamentals of electric circuits alexander charles sadiku* - Jul 24 2022

web nov 30 2005 alexander and sadiku s third edition of fundamentals of electric circuits continues in the spirit of its successful previous editions with the objective of presenting circuit analysis in a manner that is clearer more interesting and easier to understand than the other texts in the market

**fundamentals of electric circuits matthew n o sadiku** - Jun 22 2022

web jan 1 2012 isbn 10 1259098591 isbn 13 978 1259098598 item weight 3 22 pounds dimensions 22 28 x 3 58 x 26 1 inches best sellers rank 2 762 118 in books see top 100 in books 989 in electrical home improvement books customer reviews [practice problem 4 5 fundamental of electric circuits alexander sadiku](#) - Feb 16 2022

web nov 16 2020 find i in the circuit of fig 4 14 using the superposition principle playlists alexander sadiku 5th ed fundamental of electric circuits chapter 3 w

**fundamentals of electric circuits by charles k alexander** - Oct 27 2022

web aug 28 1999 4 05 459 ratings 21 reviews alexander and sadiku s third edition of fundamentals of electric circuits continues in the spirit of its successful previous editions with the objective of presenting circuit analysis in a manner that is clearer more interesting and easier to understand than other more traditional texts

**fundamentals of electric circuits charles alexander matthew sadiku** - Sep 06 2023

web jan 12 2012 alexander and sadiku s fifth edition of fundamentals of electric circuits continues in the spirit of its successful previous editions with the objective of presenting circuit analysis in

**fundamentals of electric circuits alexander charles sadiku** - Dec 29 2022

web aug 27 2008 alexander and sadiku s fourth edition of fundamentals of electric circuits continues in the spirit of its successful previous editions with the objective of presenting circuit analysis in a manner that is clearer more interesting and easier to understand than other more traditional texts

[practice problem 4 3 fundamental of electric circuits alexander sadiku](#) - Mar 20 2022

web nov 15 2020 practice problem 4 3 fundamental of electric circuits alexander sadiku 5th edition superposition using superposition theorem find  $v_o$  in the circuit playlists alexander sadiku 5th ed

**solutions for fundamentals of electric circuits 4th edition alexander** - May 22 2022

web free pdf reference for the solutions is fundamentals of electric circuits 4th edition alexander sadiku this book has been prepared to provide elegant and clean solutions for application problems and problems sections that are meticulously found *read ebook black paper notebook college ruled 8 5x11* - Feb 25 2022

web buy black paper notebook college ruled 8 5x11 black book with black pages solid black notebook paper for use with gel pens reverse color journal with

**black paper notebook college ruled 8 5x11 shark notebook** - Sep 22 2021

black paper notebook college ruled 8 5x11 a large black - Apr 10 2023

web amazon in buy black paper notebook college ruled 8 5x11 black book with black pages solid black notebook paper for use with gel pens reverse color journal

*black paper notebook college ruled 8 5x11 black book with* - Jan 27 2022

web buy the black paper journal college ruled 8 5x11 black paper notebook by nifty notebooks online at alibris we have new and used copies available in 1 editions

*the black paper journal butterfly design cool college ruled* - Apr 29 2022

web it s time to up level with our strong black paper strong journals to make your planning doodling and note taking stand out from the crowd featuring lightly lined college ruled

black paper notebook college ruled 8 5x11 christmas - Jul 01 2022

web featuring soft college ruled lines and rich black paper your new black paper journal will become a stationery staple the 8 5x11 inch dimensions are the perfect size for every

black paper notebook college ruled 8 5x11 black book with - Feb 08 2023

web sep 15 2020 this item xyark large college ruled notebook journals bulk with thick lined paper 60 pages 8 5x11 inch composition diary subject notebooks planner for

*amazon com hardcover ruled journal 8 5 x 11* - May 11 2023

web buy black paper notebook college ruled 8 5x11 a large black notebook paper book for use with gel pens reverse color journal with black pages black

amazon com spiral notebook college ruled 8 5 x 11 - Nov 05 2022

web jan 31 2023 big black composition notebook with 300 pages college ruled paper 8 5 x 11 inches for school university work and daily life chc pharin on amazon com

**cagie 5 subject notebook with tabs 8 5x11 college ruled 240** - Jan 07 2023

web five star spiral notebooks 6 pack 1 subject college ruled paper fights ink bleed water resistant cover 8 1 2 x 11 100 sheets black red blue green white purple

**big black composition notebook with 300 pages college ruled** - Sep 03 2022

web black paper notebook college ruled 8 5x11 christmas notebook black notebook paper for use with gel pens reverse color

journal with black pages

*black paper notebook college ruled 8 5x11 a large black* - Mar 09 2023

web feb 13 2023 amazon com cagie 5 subject notebook with tabs 8 5x11 college ruled 240 pages large spiral notebook with dividers a4 notebooks for work

college ruled 8 5x11 black paper notebook alibris - May 31 2022

web black paper notebook featuring soft college ruled lines and rich black paper your new black paper journal will become a stationery staple the 8 5x11 inch dimensions are the

**black paper notebook large size 8 25 x 11 college ruled** - Jun 12 2023

web paper journals sketchbooks gel pen paper by press obsidian paper isbn 9781698562254 from amazon s book store everyday low prices and free delivery on

**black paper notebook college ruled 8 5x11 shark notebook** - Aug 02 2022

web buy the black paper journal college ruled 8 5x11 black paper notebook by nifty notebooks online at alibris we have new and used copies available in 0 edition

**buy black paper notebook college ruled 8 5x11 a large** - Oct 04 2022

web buy black paper notebook college ruled 8 5x11 shark notebook black notebook paper for use with gel pens reverse color journal with black pages

composition notebook college ruled 100 pages - Dec 26 2021

web oct 8 2019 black paper notebook college ruled 8 5x11 shark notebook black notebook paper for use with gel pens reverse color journal with black pages

black paper notebook college ruled 8 5x11 black book with - Nov 24 2021

**black paper notebook college ruled 8 5x11 black paper** - Mar 29 2022

web oct 8 2019 black paper notebook college ruled 8 5x11 black book with black pages solid black notebook paper for use with gel pens reverse color journal

composition notebook college ruled 100 pages - Jul 13 2023

web mar 18 2023 black paper notebook large size 8 25 x 11 college ruled for gel pens hardcover march 18 2023

**the black paper journal college ruled 8 5x11 black paper** - Oct 24 2021

*xyark large college ruled notebook journals bulk with* - Dec 06 2022

web amazon in buy black paper notebook college ruled 8 5x11 a large black notebook paper book for use with gel pens

reverse color journal with black

*black paper notebook lined college ruled 8 5 x - Aug 14 2023*

web sep 26 2019 black paper notebook lined college ruled 8 5 x 11 a large black notebook paper book for use with gel pens

reverse color journal with black pages paper journals