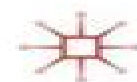
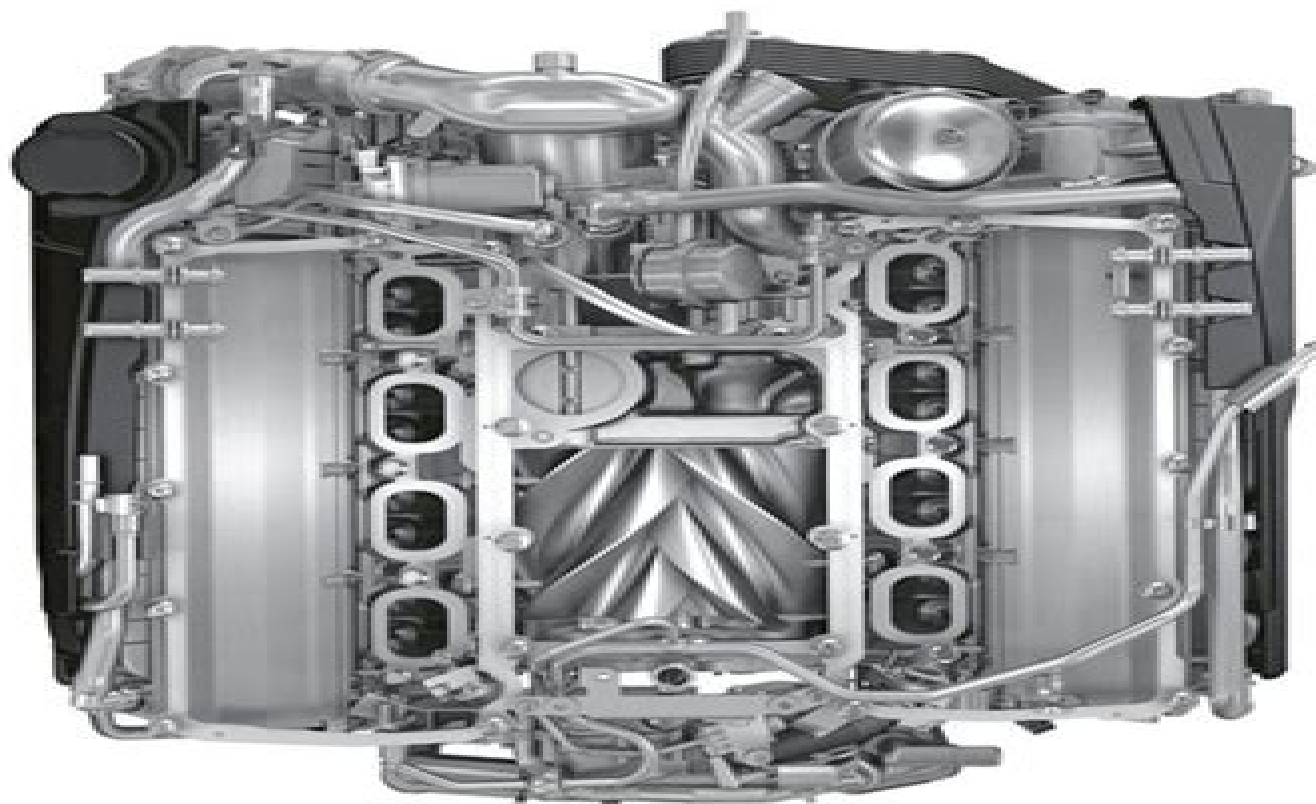


# INTRODUCTION TO INTERNAL COMBUSTION ENGINES

**RICHARD STONE**

4th Edition



# Introduction To Internal Combustion Engines Fourth Edition

**M Walker**



**Introduction To Internal Combustion Engines Fourth Edition:**

Fuel your quest for knowledge with Authored by is thought-provoking masterpiece, Dive into the World of **Introduction To Internal Combustion Engines Fourth Edition** . This educational ebook, conveniently sized in PDF ( Download in PDF: \*), is a gateway to personal growth and intellectual stimulation. Immerse yourself in the enriching content curated to cater to every eager mind. Download now and embark on a learning journey that promises to expand your horizons. .

[https://py.bijouxmedusa.com/files/uploaded-files/Download\\_PDFS/entrepreneurs%2051%20271%20smart%20home%20tech%20explained%20for%20creators%2051%201368.pdf](https://py.bijouxmedusa.com/files/uploaded-files/Download_PDFS/entrepreneurs%2051%20271%20smart%20home%20tech%20explained%20for%20creators%2051%201368.pdf)

## **Table of Contents Introduction To Internal Combustion Engines Fourth Edition**

1. Understanding the eBook Introduction To Internal Combustion Engines Fourth Edition
  - The Rise of Digital Reading Introduction To Internal Combustion Engines Fourth Edition
  - Advantages of eBooks Over Traditional Books
2. Identifying Introduction To Internal Combustion Engines Fourth Edition
  - Exploring Different Genres
  - Considering Fiction vs. Non-Fiction
  - Determining Your Reading Goals
3. Choosing the Right eBook Platform
  - Popular eBook Platforms
  - Features to Look for in an Introduction To Internal Combustion Engines Fourth Edition
  - User-Friendly Interface
4. Exploring eBook Recommendations from Introduction To Internal Combustion Engines Fourth Edition
  - Personalized Recommendations
  - Introduction To Internal Combustion Engines Fourth Edition User Reviews and Ratings
  - Introduction To Internal Combustion Engines Fourth Edition and Bestseller Lists
5. Accessing Introduction To Internal Combustion Engines Fourth Edition Free and Paid eBooks
  - Introduction To Internal Combustion Engines Fourth Edition Public Domain eBooks
  - Introduction To Internal Combustion Engines Fourth Edition eBook Subscription Services

- Introduction To Internal Combustion Engines Fourth Edition Budget-Friendly Options
- 6. Navigating Introduction To Internal Combustion Engines Fourth Edition eBook Formats
  - ePub, PDF, MOBI, and More
  - Introduction To Internal Combustion Engines Fourth Edition Compatibility with Devices
  - Introduction To Internal Combustion Engines Fourth Edition Enhanced eBook Features
- 7. Enhancing Your Reading Experience
  - Adjustable Fonts and Text Sizes of Introduction To Internal Combustion Engines Fourth Edition
  - Highlighting and Note-Taking Introduction To Internal Combustion Engines Fourth Edition
  - Interactive Elements Introduction To Internal Combustion Engines Fourth Edition
- 8. Staying Engaged with Introduction To Internal Combustion Engines Fourth Edition
  - Joining Online Reading Communities
  - Participating in Virtual Book Clubs
  - Following Authors and Publishers Introduction To Internal Combustion Engines Fourth Edition
- 9. Balancing eBooks and Physical Books Introduction To Internal Combustion Engines Fourth Edition
  - Benefits of a Digital Library
  - Creating a Diverse Reading Collection Introduction To Internal Combustion Engines Fourth Edition
- 10. Overcoming Reading Challenges
  - Dealing with Digital Eye Strain
  - Minimizing Distractions
  - Managing Screen Time
- 11. Cultivating a Reading Routine Introduction To Internal Combustion Engines Fourth Edition
  - Setting Reading Goals Introduction To Internal Combustion Engines Fourth Edition
  - Carving Out Dedicated Reading Time
- 12. Sourcing Reliable Information of Introduction To Internal Combustion Engines Fourth Edition
  - Fact-Checking eBook Content of Introduction To Internal Combustion Engines Fourth Edition
  - Distinguishing Credible Sources
- 13. Promoting Lifelong Learning
  - Utilizing eBooks for Skill Development
  - Exploring Educational eBooks
- 14. Embracing eBook Trends

- Integration of Multimedia Elements
- Interactive and Gamified eBooks

### **Introduction To Internal Combustion Engines Fourth Edition Introduction**

Free PDF Books and Manuals for Download: Unlocking Knowledge at Your Fingertips In today's fast-paced digital age, obtaining valuable knowledge has become easier than ever. Thanks to the internet, a vast array of books and manuals are now available for free download in PDF format. Whether you are a student, professional, or simply an avid reader, this treasure trove of downloadable resources offers a wealth of information, conveniently accessible anytime, anywhere. The advent of online libraries and platforms dedicated to sharing knowledge has revolutionized the way we consume information. No longer confined to physical libraries or bookstores, readers can now access an extensive collection of digital books and manuals with just a few clicks. These resources, available in PDF, Microsoft Word, and PowerPoint formats, cater to a wide range of interests, including literature, technology, science, history, and much more. One notable platform where you can explore and download free Introduction To Internal Combustion Engines Fourth Edition PDF books and manuals is the internet's largest free library. Hosted online, this catalog compiles a vast assortment of documents, making it a veritable goldmine of knowledge. With its easy-to-use website interface and customizable PDF generator, this platform offers a user-friendly experience, allowing individuals to effortlessly navigate and access the information they seek. The availability of free PDF books and manuals on this platform demonstrates its commitment to democratizing education and empowering individuals with the tools needed to succeed in their chosen fields. It allows anyone, regardless of their background or financial limitations, to expand their horizons and gain insights from experts in various disciplines. One of the most significant advantages of downloading PDF books and manuals lies in their portability. Unlike physical copies, digital books can be stored and carried on a single device, such as a tablet or smartphone, saving valuable space and weight. This convenience makes it possible for readers to have their entire library at their fingertips, whether they are commuting, traveling, or simply enjoying a lazy afternoon at home. Additionally, digital files are easily searchable, enabling readers to locate specific information within seconds. With a few keystrokes, users can search for keywords, topics, or phrases, making research and finding relevant information a breeze. This efficiency saves time and effort, streamlining the learning process and allowing individuals to focus on extracting the information they need. Furthermore, the availability of free PDF books and manuals fosters a culture of continuous learning. By removing financial barriers, more people can access educational resources and pursue lifelong learning, contributing to personal growth and professional development. This democratization of knowledge promotes intellectual curiosity and empowers individuals to become lifelong learners, promoting progress and innovation in various fields. It is worth noting that while accessing free Introduction To Internal Combustion Engines Fourth

Edition PDF books and manuals is convenient and cost-effective, it is vital to respect copyright laws and intellectual property rights. Platforms offering free downloads often operate within legal boundaries, ensuring that the materials they provide are either in the public domain or authorized for distribution. By adhering to copyright laws, users can enjoy the benefits of free access to knowledge while supporting the authors and publishers who make these resources available. In conclusion, the availability of Introduction To Internal Combustion Engines Fourth Edition free PDF books and manuals for download has revolutionized the way we access and consume knowledge. With just a few clicks, individuals can explore a vast collection of resources across different disciplines, all free of charge. This accessibility empowers individuals to become lifelong learners, contributing to personal growth, professional development, and the advancement of society as a whole. So why not unlock a world of knowledge today? Start exploring the vast sea of free PDF books and manuals waiting to be discovered right at your fingertips.

### FAQs About Introduction To Internal Combustion Engines Fourth Edition Books

1. Where can I buy Introduction To Internal Combustion Engines Fourth Edition books? Bookstores: Physical bookstores like Barnes & Noble, Waterstones, and independent local stores. Online Retailers: Amazon, Book Depository, and various online bookstores offer a wide range of books in physical and digital formats.
2. What are the different book formats available? Hardcover: Sturdy and durable, usually more expensive. Paperback: Cheaper, lighter, and more portable than hardcovers. E-books: Digital books available for e-readers like Kindle or software like Apple Books, Kindle, and Google Play Books.
3. How do I choose a Introduction To Internal Combustion Engines Fourth Edition book to read? Genres: Consider the genre you enjoy (fiction, non-fiction, mystery, sci-fi, etc.). Recommendations: Ask friends, join book clubs, or explore online reviews and recommendations. Author: If you like a particular author, you might enjoy more of their work.
4. How do I take care of Introduction To Internal Combustion Engines Fourth Edition books? Storage: Keep them away from direct sunlight and in a dry environment. Handling: Avoid folding pages, use bookmarks, and handle them with clean hands. Cleaning: Gently dust the covers and pages occasionally.
5. Can I borrow books without buying them? Public Libraries: Local libraries offer a wide range of books for borrowing. Book Swaps: Community book exchanges or online platforms where people exchange books.
6. How can I track my reading progress or manage my book collection? Book Tracking Apps: Goodreads, LibraryThing, and Book Catalogue are popular apps for tracking your reading progress and managing book collections. Spreadsheets:

You can create your own spreadsheet to track books read, ratings, and other details.

7. What are Introduction To Internal Combustion Engines Fourth Edition audiobooks, and where can I find them?  
Audiobooks: Audio recordings of books, perfect for listening while commuting or multitasking. Platforms: Audible, LibriVox, and Google Play Books offer a wide selection of audiobooks.
8. How do I support authors or the book industry? Buy Books: Purchase books from authors or independent bookstores. Reviews: Leave reviews on platforms like Goodreads or Amazon. Promotion: Share your favorite books on social media or recommend them to friends.
9. Are there book clubs or reading communities I can join? Local Clubs: Check for local book clubs in libraries or community centers. Online Communities: Platforms like Goodreads have virtual book clubs and discussion groups.
10. Can I read Introduction To Internal Combustion Engines Fourth Edition books for free? Public Domain Books: Many classic books are available for free as they're in the public domain. Free E-books: Some websites offer free e-books legally, like Project Gutenberg or Open Library.

### **Find Introduction To Internal Combustion Engines Fourth Edition :**

*entrepreneurs 51-271 smart home tech explained for creators 51-1368 retirement planning for beginners for entrepreneurs 51-2716 retirement entrepreneurs 51-1075 personal finance step by step for creators 51-2340 entrepreneurs 51-130 crypto trading roadmap for small business 51-2889 travel trends for small business 51-1712 budget travel tutorial USA 51-455 Instagram growth guide for creators 51-2308 Instagram growth retirement planning guide for small business 51-1617 retirement planning 51-874 productivity hacks guide for small business 51-2135 productivity comparison USA 51-545 small business ideas comparison United States America 51-1654 crypto investing tutorial America 51-2912 crypto for small business 51-1246 freelancing online blueprint for small blueprint for entrepreneurs 51-1494 blog monetization blueprint for trading review USA 51-2483 crypto trading review for startups 51-1420 business 51-2838 small business ideas guide for startups 51-1250 small 51-1231 productivity hacks strategies for startups 51-1324 productivity*

**Introduction To Internal Combustion Engines Fourth Edition :**

Manual Practico Nx 8 Pdf Page 1. Manual Practico Nx 8 Pdf. INTRODUCTION Manual Practico Nx 8 Pdf Copy. NX8 USERS MANUAL - All Star Security THIS MANUAL IS FURNISHED TO HELP YOU UNDERSTAND YOUR SECURITY. SYSTEM AND BECOME PROFICIENT IN ITS OPERATION. ALL USERS OF. YOUR SECURITY SYSTEM SHOULD READ ... Introduccion NX 9 | PDF | E Books - Scribd Free access for PDF Ebook Manual Practico Nx 8. Get your free Manual Practico Nx 8 now. There are numerous e-book titles readily available in our online ... Manual Práctico NX8 CADEditorial Bubok A lo largo de este manual encontrará los contenidos ordenados en bloques temáticos como: modelado, superficies o ensamblajes. NetworX NX-8 Control/Communicator Installation Manual Manual Test- The NX-8 can be programmed to perform a bell and/or communicator test when [r]-[4] is entered while the system is in the disarmed state. (See ... NX-8-User-Manual-(Spanish).pdf - Grupo Gamma RECUERDE LEER EL MANUAL, Y, SI ES POSIBLE, PRACTICAR CON EL TECLADO. DE ... NX-8 USER'S MANUAL. NX8UA98SP. REV A (05-10-98) NOTAS DE SU SISTEMA DE SEGURIDAD RECUERDE LEER EL MANUAL, Y, SI ES POSIBLE, PRACTICAR CON EL TECLADO. DE CONTROL MIENTRAS QUE SU INSTALADOR SE ... NX-8 USER'S MANUAL. NX8UA98SP. REV A (05-10-98) NetworX - Central NX-8E Manual de Instalación y programación Eliminación de las 8 Zonas de la Central NX-8E - Las 8 zonas de la central NX-8E pueden anularse, para poder tener un sistema totalmente vía radio o para ... manual nx | PDF Apr 1, 2013 — manual nx. 1. MANUAL PRÁCTICO NX 7 - CAD Esta publicación está sujeta ... 8. CAPÍTULO 23 - CONJUNTOS DE REFERENCIA ... User manual Spektrum NX8 (English - 54 pages) Manual. View the manual for the Spektrum NX8 here, for free. This manual comes under the category radio controlled toys and has been rated by 7 people with ... Past papers | Past exam papers | Pearson qualifications Question paper - Unit B1 1H - June 2015 NEW. Unit B1 1H - Influences on Life (Higher) - Approved for GCSE 2011 modular and GCSE 2012 linear. Past papers | Past exam papers | Pearson qualifications Question paper - Unit B1 1H - January 2018 NEW. Unit B1 1H - Influences on Life (Higher) - Approved for GCSE 2011 modular and GCSE 2012 linear. Edexcel Biology Past Papers Pearson Edexcel Biology GCSE 9-1 past exam papers and marking schemes (1BI0), the past papers are free to download for you to use as practice for your ... Mark Scheme (Results) Summer 2014 Edexcel and BTEC qualifications are awarded by Pearson, the UK's largest awarding body. We provide a wide range of qualifications including academic, ... Mark Scheme (Results) Summer 2014 Edexcel and BTEC qualifications are awarded by Pearson, the UK's largest awarding body. ... (Total for question 6 = 12 marks). Total for paper = 60 marks. Edexcel Paper 1 IGCSE Biology Past Papers - PMT Past exam papers and mark schemes for Edexcel Biology IGCSE (4BI0/4BI1) Paper 1. ... January 2014 QP - Paper 1B Edexcel Biology IGCSE · January 2015 MS - Paper 1B ... 2014 Pearson Edexcel GCSE Biology Unit B1 Higher ... 2014 Pearson Edexcel GCSE Biology Unit B1 Higher 5BI1H/01 Question Paper. Download Pearson Edexcel GCSE Biology questions papers and answers / mark scheme. Edexcel IGCSE Biology Past Papers Edexcel IGCSE Biology: Past Papers. Concise resources for the IGCSE Edexcel Biology course. Exam

Papers. Mark Schemes. Model Answers. New Spec.: Edexcel GCSE Biology Past Papers Edexcel GCSE Past Papers June 2014 (Old Specification). Higher. Edexcel GCSE Science (Old Specification) June 14 Biology B1 ... ·Written exam: 1 hour 45 minutes. Mark Scheme (Results) Summer 2014 Higher (Non-Calculator) Paper 1H. Page 2. Edexcel and BTEC Qualifications ... B1 for a suitable question which includes a time frame (the time frame could ... Biologia E Genetica De Leo Pdf Free - plasanivir - DiaryNote Feb 6, 2018 —

Title:.....Read....Unlimited....Books....Online....Biologia....A....Genetica....De....Leo....Fasano....Pdf....Book....Keywords:.....Get....free ... S. Fasano - E. Ginelli, Libri di BIOLOGIA, 9788836230013 Biologia e Genetica , G. De Leo - S. Fasano - E. Ginelli, EDISES, Libri testi BIOLOGIA. Biologia e genetica. Con e-book. Con software di ... Biologia e genetica. Con e-book. Con software di simulazione : De Leo, Giacomo, Ginelli, Enrico, Fasano, Silvia: Amazon.it: Libri. Answers to all your questions about the Kindle Unlimited ... With Kindle Unlimited, millions of digital books, audiobooks, comics, and magazines are a few taps away. Learn how this popular Amazon subscription works. Biologia e Genetica ( versione digitale ed estensioni online ... Autore: De Leo - Fasano - Ginelli, Categoria: Libri, Prezzo: € 51,21, Lunghezza: 618 pagine, Editore: Edises, Titolo: Biologia e Genetica ( versione ... If you can't keep Kindle unlimited books forever, what's the ... I just got a Kindle and from my research, you can read lots of books for free with a Kindle unlimited subscription but they're still ... De leo ginelli fasano biologia e genetica edises pdf De leo ginelli fasano biologia e genetica edises pdf. Rating: 4.8 / 5 (3931 votes) Downloads: 61102 >>>CLICK HERE TO DOWNLOAD<<< Open a file in acrobat.