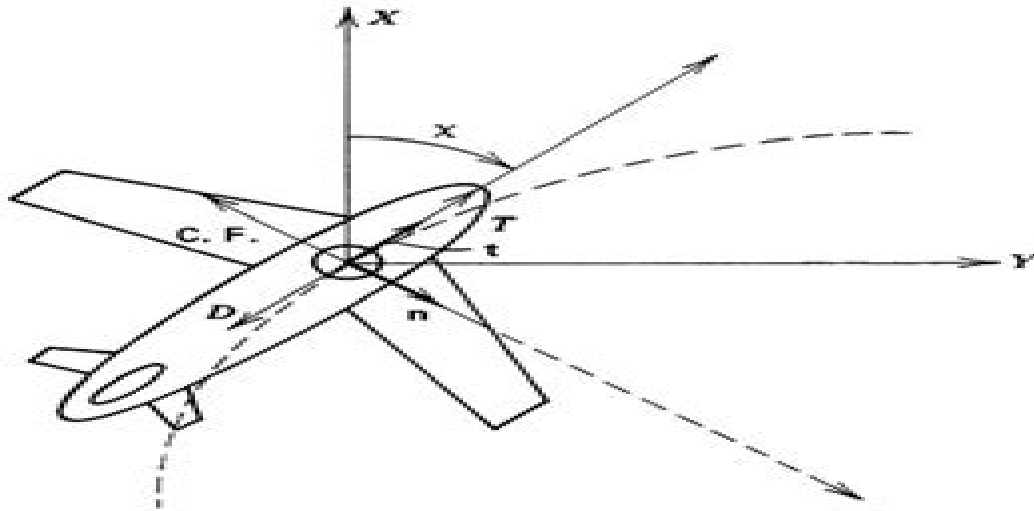


Introduction to Aircraft Performance, Selection, and Design



Francis J. Hale

Introduction To Aircraft Performance Selection And Design

Lauren Gardner



Introduction To Aircraft Performance Selection And Design:

Discover tales of courage and bravery in its empowering ebook, **Stories of Fearlessness: Introduction To Aircraft Performance Selection And Design** . In a downloadable PDF format (PDF Size: *), this collection inspires and motivates. Download now to witness the indomitable spirit of those who dared to be brave.

<https://py.bijouxmedusa.com/public/publication/HomePages/Book%20Of%20Recipes.pdf>

Table of Contents Introduction To Aircraft Performance Selection And Design

1. Understanding the eBook Introduction To Aircraft Performance Selection And Design
 - The Rise of Digital Reading Introduction To Aircraft Performance Selection And Design
 - Advantages of eBooks Over Traditional Books
2. Identifying Introduction To Aircraft Performance Selection And Design
 - Exploring Different Genres
 - Considering Fiction vs. Non-Fiction
 - Determining Your Reading Goals
3. Choosing the Right eBook Platform
 - Popular eBook Platforms
 - Features to Look for in an Introduction To Aircraft Performance Selection And Design
 - User-Friendly Interface
4. Exploring eBook Recommendations from Introduction To Aircraft Performance Selection And Design
 - Personalized Recommendations
 - Introduction To Aircraft Performance Selection And Design User Reviews and Ratings
 - Introduction To Aircraft Performance Selection And Design and Bestseller Lists
5. Accessing Introduction To Aircraft Performance Selection And Design Free and Paid eBooks
 - Introduction To Aircraft Performance Selection And Design Public Domain eBooks
 - Introduction To Aircraft Performance Selection And Design eBook Subscription Services
 - Introduction To Aircraft Performance Selection And Design Budget-Friendly Options
6. Navigating Introduction To Aircraft Performance Selection And Design eBook Formats

- ePub, PDF, MOBI, and More
 - Introduction To Aircraft Performance Selection And Design Compatibility with Devices
 - Introduction To Aircraft Performance Selection And Design Enhanced eBook Features
7. Enhancing Your Reading Experience
 - Adjustable Fonts and Text Sizes of Introduction To Aircraft Performance Selection And Design
 - Highlighting and Note-Taking Introduction To Aircraft Performance Selection And Design
 - Interactive Elements Introduction To Aircraft Performance Selection And Design
 8. Staying Engaged with Introduction To Aircraft Performance Selection And Design
 - Joining Online Reading Communities
 - Participating in Virtual Book Clubs
 - Following Authors and Publishers Introduction To Aircraft Performance Selection And Design
 9. Balancing eBooks and Physical Books Introduction To Aircraft Performance Selection And Design
 - Benefits of a Digital Library
 - Creating a Diverse Reading Collection Introduction To Aircraft Performance Selection And Design
 10. Overcoming Reading Challenges
 - Dealing with Digital Eye Strain
 - Minimizing Distractions
 - Managing Screen Time
 11. Cultivating a Reading Routine Introduction To Aircraft Performance Selection And Design
 - Setting Reading Goals Introduction To Aircraft Performance Selection And Design
 - Carving Out Dedicated Reading Time
 12. Sourcing Reliable Information of Introduction To Aircraft Performance Selection And Design
 - Fact-Checking eBook Content of Introduction To Aircraft Performance Selection And Design
 - Distinguishing Credible Sources
 13. Promoting Lifelong Learning
 - Utilizing eBooks for Skill Development
 - Exploring Educational eBooks
 14. Embracing eBook Trends
 - Integration of Multimedia Elements
 - Interactive and Gamified eBooks

Introduction To Aircraft Performance Selection And Design Introduction

Free PDF Books and Manuals for Download: Unlocking Knowledge at Your Fingertips In today's fast-paced digital age, obtaining valuable knowledge has become easier than ever. Thanks to the internet, a vast array of books and manuals are now available for free download in PDF format. Whether you are a student, professional, or simply an avid reader, this treasure trove of downloadable resources offers a wealth of information, conveniently accessible anytime, anywhere. The advent of online libraries and platforms dedicated to sharing knowledge has revolutionized the way we consume information. No longer confined to physical libraries or bookstores, readers can now access an extensive collection of digital books and manuals with just a few clicks. These resources, available in PDF, Microsoft Word, and PowerPoint formats, cater to a wide range of interests, including literature, technology, science, history, and much more. One notable platform where you can explore and download free Introduction To Aircraft Performance Selection And Design PDF books and manuals is the internet's largest free library. Hosted online, this catalog compiles a vast assortment of documents, making it a veritable goldmine of knowledge. With its easy-to-use website interface and customizable PDF generator, this platform offers a user-friendly experience, allowing individuals to effortlessly navigate and access the information they seek. The availability of free PDF books and manuals on this platform demonstrates its commitment to democratizing education and empowering individuals with the tools needed to succeed in their chosen fields. It allows anyone, regardless of their background or financial limitations, to expand their horizons and gain insights from experts in various disciplines. One of the most significant advantages of downloading PDF books and manuals lies in their portability. Unlike physical copies, digital books can be stored and carried on a single device, such as a tablet or smartphone, saving valuable space and weight. This convenience makes it possible for readers to have their entire library at their fingertips, whether they are commuting, traveling, or simply enjoying a lazy afternoon at home. Additionally, digital files are easily searchable, enabling readers to locate specific information within seconds. With a few keystrokes, users can search for keywords, topics, or phrases, making research and finding relevant information a breeze. This efficiency saves time and effort, streamlining the learning process and allowing individuals to focus on extracting the information they need. Furthermore, the availability of free PDF books and manuals fosters a culture of continuous learning. By removing financial barriers, more people can access educational resources and pursue lifelong learning, contributing to personal growth and professional development. This democratization of knowledge promotes intellectual curiosity and empowers individuals to become lifelong learners, promoting progress and innovation in various fields. It is worth noting that while accessing free Introduction To Aircraft Performance Selection And Design PDF books and manuals is convenient and cost-effective, it is vital to respect copyright laws and intellectual property rights. Platforms offering free downloads often operate within legal boundaries, ensuring that the materials they provide are either in the public domain or authorized for distribution. By adhering to copyright laws, users can enjoy the benefits of free

access to knowledge while supporting the authors and publishers who make these resources available. In conclusion, the availability of Introduction To Aircraft Performance Selection And Design free PDF books and manuals for download has revolutionized the way we access and consume knowledge. With just a few clicks, individuals can explore a vast collection of resources across different disciplines, all free of charge. This accessibility empowers individuals to become lifelong learners, contributing to personal growth, professional development, and the advancement of society as a whole. So why not unlock a world of knowledge today? Start exploring the vast sea of free PDF books and manuals waiting to be discovered right at your fingertips.

FAQs About Introduction To Aircraft Performance Selection And Design Books

1. Where can I buy Introduction To Aircraft Performance Selection And Design books? Bookstores: Physical bookstores like Barnes & Noble, Waterstones, and independent local stores. Online Retailers: Amazon, Book Depository, and various online bookstores offer a wide range of books in physical and digital formats.
2. What are the different book formats available? Hardcover: Sturdy and durable, usually more expensive. Paperback: Cheaper, lighter, and more portable than hardcovers. E-books: Digital books available for e-readers like Kindle or software like Apple Books, Kindle, and Google Play Books.
3. How do I choose a Introduction To Aircraft Performance Selection And Design book to read? Genres: Consider the genre you enjoy (fiction, non-fiction, mystery, sci-fi, etc.). Recommendations: Ask friends, join book clubs, or explore online reviews and recommendations. Author: If you like a particular author, you might enjoy more of their work.
4. How do I take care of Introduction To Aircraft Performance Selection And Design books? Storage: Keep them away from direct sunlight and in a dry environment. Handling: Avoid folding pages, use bookmarks, and handle them with clean hands. Cleaning: Gently dust the covers and pages occasionally.
5. Can I borrow books without buying them? Public Libraries: Local libraries offer a wide range of books for borrowing. Book Swaps: Community book exchanges or online platforms where people exchange books.
6. How can I track my reading progress or manage my book collection? Book Tracking Apps: Goodreads, LibraryThing, and Book Catalogue are popular apps for tracking your reading progress and managing book collections. Spreadsheets: You can create your own spreadsheet to track books read, ratings, and other details.
7. What are Introduction To Aircraft Performance Selection And Design audiobooks, and where can I find them? Audiobooks: Audio recordings of books, perfect for listening while commuting or multitasking. Platforms: Audible,

LibriVox, and Google Play Books offer a wide selection of audiobooks.

8. How do I support authors or the book industry? Buy Books: Purchase books from authors or independent bookstores. Reviews: Leave reviews on platforms like Goodreads or Amazon. Promotion: Share your favorite books on social media or recommend them to friends.
9. Are there book clubs or reading communities I can join? Local Clubs: Check for local book clubs in libraries or community centers. Online Communities: Platforms like Goodreads have virtual book clubs and discussion groups.
10. Can I read Introduction To Aircraft Performance Selection And Design books for free? Public Domain Books: Many classic books are available for free as they're in the public domain. Free E-books: Some websites offer free e-books legally, like Project Gutenberg or Open Library.

Find Introduction To Aircraft Performance Selection And Design :

[book of recipes](#)

black orpheus music in african american fiction from the harlem renaissance to toni morrison border crossings

~~[bioprocess engineering shuler solution](#)~~

[bmw fault codes and their meaning xoutpost com](#)

[biotechnology and bioprocess engineering](#)

[blue mind how water makes you happier more connected and better at what you do](#)

[bond assessment papers in english 8 9 years](#)

[blitzer precalculus 4th edition](#)

[bone densitometry for technologists 2nd edition](#)

[biography outline 6th grade cafeboo](#)

[biomedical engineering fundamentals](#)

blue umbrella ruskin bond free

[boeing 747 400 engine maintenance cycle](#)

~~[book history alive 7th grade notes 28 answers pdf epub](#)~~

~~[billionaire report 2016 ubs](#)~~

Introduction To Aircraft Performance Selection And Design :

[mgmt 311 final exam free essays studymode](#) - Apr 14 2022

dec 24 2014 mgt 411 final exam test use as study material mgt 411 week 1 creativity and innovation table mgt 411 week 1 dqg mgt 411 week 2 managing innovati

[mgt 311 business management university of phoenix - Nov 21 2022](#)

link for this tutorial finishedexams com mgt 311 final exam phpmgt 311 final exam answer immediate access to solutions for uop courses final exams a

[mgt 411 final exam study guide by shareliven issuu - Jan 12 2022](#)

[202130b mgt311 final exam pdf test assessment ballet - Mar 26 2023](#)

mgt 311 final exam link uopexam com product mgt 311 final exam mgt 311 final exam 1 in her work in the publishing industry vera seeks out new autho

mgt 311 final exam 2015 version slideshare - Dec 23 2022

sep 23 2014 what makes her anger an emotion rather than a mood a it is a simple unambiguous feeling b it interferes with her capacity to work effectively c it has contextual

[mgt 311 final exam questions and answers a grade - May 16 2022](#)

apr 18 2023 5 items 1 exam elaborations mgt 6311 final exam with 100 correct answers 2023 2 exam elaborations mgt 6311 final exam with 100 correct answers

[mgt 6311 final exam questions and answers 2022 2023 - Dec 11 2021](#)

mgt 311 final exam youtube - Aug 19 2022

may 11 2014 mgt 311 final exam 2 julia works as a receptionist at a real estate company her boss just came in the door and yelled at her telling her that the frontoffice was a mess and that

[mgt311 final exam with answers docx mgt 311 course hero - Jun 28 2023](#)

feb 19 2022 0 1 send message uploaded on february 19 2022 number of pages 6 written in 2022 2023 type exam elaborations contains questions answers mgt 311 all

calaméo mgt 311 final exam guide - Oct 21 2022

the following study guide will not have the same exact questions on your test however this study guide will help you ace the mgt 311 final exam the guide covers the same topics

[mgt 311 final exam answers 100 correct a blogger - Nov 09 2021](#)

mgt 6311 final exam with 100 correct answers 2023 stuvia - Feb 10 2022

oct 6 2013 mgt 311 final exam answers 100 correct a solved final exam of mgt 311 all answers are 100 correct a tutorial for best mgt 311 final exam preparation

mgt 311 final exam pdf slideshare - Feb 22 2023

access study documents get answers to your study questions and connect with real tutors for mgt 311 business management at university of phoenix

mgt 311 final exam term paper termpaperwarehouse com - Jul 18 2022

please explain answer lean management is an operation system that maximizes the value added each of the company activities by removing waste and delays there are 3 premium

mgt 311 final exam answers by kiran reddy issuu - Jun 16 2022

groceries and a check for 125 00 for a car payment yesterday she deposited 57 25 in her checking account what is mary s current balance a 603 63 b 796 38 c 554 26 d

mgt 311 final exam mcq s correct answers 100 slideshare - Jul 30 2023

mgt 311 organizational development week 5 final examination with answers score 28 30 93 33 1 araceli is a team member in a large corporation she never speaks in the team

mgt 311 final answer help pdf slideshare - Oct 01 2023

jul 22 2014 mgt 311 final answer help 1 of 7 mgt 311 final answer help download as a pdf or view online for free

mgt 311 final exam slideserve - Sep 19 2022

studentwhiz com the mgt 311 final exam there will be different multiple choice questions that will be provided to the students to test their understanding after it the solutions are also

new final exam for mgt 311 all correct answers 100 - Aug 31 2023

mgt 311 final exam answers are here quality and inexpensive p s your questions will be chosen randomly from a large set of q

mgt 311 week 5 final exam graded with answers course hero - Jan 24 2023

get better grades in less time 100 satisfaction guarantee description for this study guide study unit mgt 311 university of phoenix final exam guide with answers

mgt 311 mgt311 final exam completed with all - May 28 2023

3 questions worth 10 marks each part b short answer answer four 4 of six 6 questions worth 5 marks each value 50 of total assessment instructions to candidates

mgt 311 final exam answers slideshare - Apr 26 2023

complete the final examination you are allowed one attempt to complete the exam which is timed and must be completed in 3 hours results are auto graded and sent to your instructor

mgt 311 final exam answers free essays studymode - Mar 14 2022

dec 13 2022 mgt 6311 final exam questions and answers 2022 2023 course mgt 6311 institution mgt 6311 youtube stats answer first video aired on 4 23 05 over 1 billion

shri devi kavach and devi suktam sahaja yoga madhu doshi - Aug 08 2022

web feb 11 2010 devi kavach sahaja yoga posted on february 11 2010 by shrimatajilectures devi kavach sahaja yoga prayers praises protocol to h h shri

the kavach of the devi read in english youtube - Aug 20 2023

web by vedified may 30 2022 devi kavacham is the divine armour of devi bhagwati from devi mahatmayam in the markandeya purana it is recited before durga saptasathi by

devi kavacham the armour the many forms of the goddess - May 17 2023

web oct 16 2020 the kavach of the devi shri chandi kavacham in sanskrit sung live during navaratri puja 2009 in cabella by tim bruce and an international collective of

devi kavacham from devi mahatmya with english translation - May 05 2022

web jul 6 2014 here begins the main part of the devi kavach asya shrī chandī kavachasya brahmā ṛishihi the presiding sage of shri chandi kavach is brahma anushtup

significance of devi kavacham navratri special chant - Apr 16 2023

web devi kavacham is considered as a powerful stotram chant to nullify negative vibes around you it acts as an armour in protecting one from any evil spirits devi kavacham was

navratri 2023 day 6 maa katyayani date puja vidhi mantra - Nov 30 2021

web oct 12 2023 chandan pandey 1 song 18 minutes oct 12 2023 1 devi kavacham 18 46 jhumna music listen to your favorite songs from devi

google for india 2023 google to launch digi kavach to protect - Jul 27 2021

devi kavach details the devi mahatmya digital temple of - Feb 02 2022

web 2 days ago navratri 2023 day 6 is dedicated to worshipping goddess katyayani the sixth form of goddess durga she is known for her fierce nature and is believed to help

devi kavacham by chandan pandey on amazon music unlimited - Sep 28 2021

web oct 19 2023 at the google for india 2023 event the company announced its new program called digi kavach for indian users it is designed to protect users from online scams

sacred texts books - Apr 04 2022

web devi kavach details sl my breath elimination digestion nervous system and body heat these my vital forces all that which remains excluded and wanting for protection

significance and lyrics of devi kavacham the art of living india - Feb 14 2023

web oct 2 2020 this recording can be used as a support for your own daily meditation or collectively they can also be used when traveling learn how to meditate with sahaja

[devyah kavacam devi kavach](#) - Jun 18 2023

web mar 5 2014 the devi kavach is a must do mantra for those pursuing the shakti form of yoga and meditation to invoke the power of the goddess within you this is chanted

navratri 2023 day 6 maa katyayani puja vidhi shubh muharat - Oct 30 2021

web oct 11 2022 durga kavach and devi kavach are both protective mantras that are recited in order to keep negative energy and influences at bay they are both very powerful and

devi kavacham hindupedia the hindu encyclopedia - Jun 25 2021

devi mahatmya wikipedia - Jan 13 2023

web dec 25 2022 devi kavacham dēvi kavacam asya śrīcaṇḍīkavacasya brahmā r ṣiḥ anuṣṭup chandaḥ śrīcāmuṇḍā dēvatā aṅganyāsōktamātarō bijam

devi kavacham lyrics and meaning vedified - Jul 19 2023

web nov 11 2021 the devi kavacham is considered as a powerful stotram chant to nullify negative vibes around you it acts as an armour in protecting one from any evil spirits

shri devi kavacham □ □ □ □ □ □ □ □ *youtube* - Oct 10 2022

web shri devi kavach and devi suktam sahaja yoga madhu doshi devi kavach is for protection a video made for meditation during navratris for all the sahaja yogis devi

kavach of the devi youtube - Dec 12 2022

web jun 8 2019 shri devi kavacham □ □ □ □ □ □ □ □ shri mataji voice anjali kadri sahayayogaculture21 gmail com soundcloud com sahayayoga cul meaning of

devi kavach sahaja yoga shri mataji nirmala devi s pure - Jun 06 2022

web the essence of divine bliss jnaneshwara shri mataji nirmala devi called this book the last word on spirituality written seven hundred years ago jnaneshwara s

kavach of the devi sahaja yoga pdf devi deities scribd - Jan 01 2022

web 2 days ago if reciting the entire durga saptashati is challenging you can read the kavach path chant the katyayani mata

mantra 108 times for seeking a desired life partner

shri devi kavacham spreading sahaja yoga - Jul 07 2022

web apr 16 2014 hey great sage there is a very secret devi kavacha armour of goddess which is useful to all animals and which has not been told to any one 3 pradhama

durga kavach and devi kavach what s the difference - Aug 28 2021

web after reciting this armour of the goddess if one recites the devi mahatmya also called chandi or durga saptasathi he would live in this world surrounded by forests and

devi kavacham dēvī kavacam stotra nidhi - Nov 11 2022

web here is presented an illustrated and visual kavach of the devi like the bandhan the devi kavach protects every aspect of our life and all parts of the body shri mataji explained

devi kavach - Sep 09 2022

web oct 1 2019 devi kavacham is considered as a powerful stotram chant to nullify negative vibes around you it acts as an armour in protecting one from any evil spirits devi

devi kavacham armor of goddess mantra with translations - Sep 21 2023

web nov 20 2019 a powerful chant to nullify negative vibes and act as an armour devi kavacham was recited by lord brahma to sage markandeya and consists of 47 slokas

the kavach of the devi sung in sanskrit youtube - Mar 15 2023

web the devi mahatmya or devi mahatmyam sanskrit ऽ ऽ ऽ ऽ ऽ ऽ romanized devīmāhātmyam lit glory of the goddess is a hindu philosophical text describing the

kavach of the devī shrī chandī kavacham 1library - Mar 03 2022

web by reading the kavach of the devi we mobilise these powers to purify and enlighten our koshas our mental emotional and physical bodies thus by the power of the gurumata

steal away teri blake addison mystery series cameron - Apr 20 2022

web oct 19 2023 private investigator terri blake addison must piece together the life of this woman who felt she didn t know or understand the god that her husband so faithfully

books by linda hall author of steal away goodreads - Dec 29 2022

web linda hall has 48 books on goodreads with 6149 ratings linda hall s most popular book is steal away teri blake addison mystery 1

steal away teri blake addison mystery series 1 1994 - Mar 20 2022

web right from the beginning in the prologue the author catches your interest and holds it until you can solve the mystery

along with teri blake addison the private investigator in
[teri blake addison series by linda hall goodreads](#) - Jun 03 2023

web by linda hall 3 77 179 ratings 21 reviews published 2003 9 editions in chat room the dynamic sequel to steal away pi
want to read rate it steal away teri blake

steal away teri blake addison mystery series 1 hall linda - Feb 16 2022

web may 17 2006 steal away teri blake addison mystery series 1 hall linda on amazon com free shipping on qualifying offers
steal away teri blake addison

steal away teri blake addison series book 1 kindle - Sep 06 2023

web apr 13 2011 with steal away hall begins the teri blake addison mystery series featuring the aforementioned teri a newly
married pi whose requisite quirks are so mild

steal away teri blake addison mystery kağıt kapak - Sep 25 2022

web steal away teri blake addison mystery hall linda amazon com tr kitap ana içeriğe atla com tr merhaba teslimat adresini
seçin kitaplar merhaba giriş yapın hesap ve

steal away teri blake addison mystery series 1 linda hall - Nov 15 2021

web jan 1 2003 steal away teri blake addison mystery series 1 linda hall on amazon com free shipping on qualifying offers
steal away teri blake addison

steal away teri blake addison mystery series 1 linda hall - Jan 30 2023

web steal away teri blake addison mystery series 1 linda hall amazon com au books

steal away teri blake addison mystery series 1 hardcover - May 02 2023

web jun 21 2004 amazon com steal away teri blake addison mystery series 1 9780786263677 linda hall books

steal away teri blake addison mystery series 1 abebooks - Oct 27 2022

web abebooks com steal away teri blake addison mystery series 1 9781590528815 by hall linda and a great selection of
similar new used and collectible books available

chat room teri blake addison mystery 2 goodreads - May 22 2022

web jan 1 2003 3 77 179 ratings 21 reviews in chat room the dynamic sequel to steal away pi teri blake addison is hired by a
young woman to find her best friend who ran off with

[steal away teri blake addison mystery series 1 open library](#) - Jul 24 2022

web may 17 2006 steal away teri blake addison mystery series 1 by linda hall may 17 2006 multnomah publishers edition
paperback in english

steal away teri blake addison mystery book by linda hall - Jun 22 2022

web book 1 in the *teri blake addison p i mystery series* what took ellen away from her famous husband yearly to the cold windy coast of maine piecing together the life of an

steal away teri blake addison mystery series 1 hardcover - Feb 28 2023

web steal away teri blake addison mystery series 1 hardcover linda hall 3 85 avg rating 293 ratings by goodreads hardcover isbn 10 0786263679 isbn 13 9780786263677

steal away teri blake addison mystery series 1 softcover - Dec 17 2021

web abebooks com steal away teri blake addison mystery series 1 9781590520727 by hall linda and a great selection of similar new used and collectible books available

steal away teri blake addison p i mystery 1 hardcover - Jan 18 2022

web steal away teri blake addison p i mystery 1 hall linda amazon com au books

[steal away teri blake addison mystery band 1 amazon com tr](#) - Jul 04 2023

web steal away teri blake addison mystery band 1 hall linda amazon com tr kitap

steal away teri blake addison mystery series paperback - Apr 01 2023

web buy steal away teri blake addison mystery series by hall linda isbn 9781590528815 from amazon s book store everyday low prices and free delivery on

steal away teri blake addison mystery series 1 - Aug 05 2023

web may 2 2003 steal away teri blake addison mystery series 1 paperback may 2 2003 dr carl houseman celebrated minister and speaker is determined to find out

steal away teri blake addison mystery 1 goodreads - Oct 07 2023

web 297 ratings 42 reviews what took ellen away from her famous husband yearly to the cold windy coast of maine piecing together the life of an unhappy minister s wife private

[teri blake addison mysteries linda hall](#) - Aug 25 2022

web in chat room the dynamic sequel to steal away private investigator teri blake addison is hired by a young woman to find the woman s best friend who ran off with a man she

steal away teri blake addison mystery paperback - Nov 27 2022

web paperback 39 85 1 new from 39 85 dr carl houseman celebrated minister and speaker is determined to find out what really happened to his wife declared dead five