

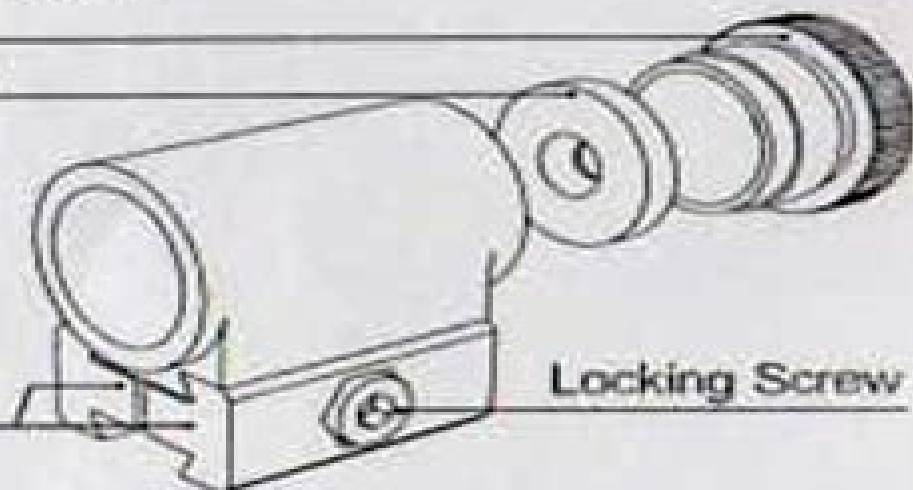
### Front Aperture Sight:

Locking Piece

Sighting Piece

Base Clamp

Locking Screw



### Rear Aperture Sight:

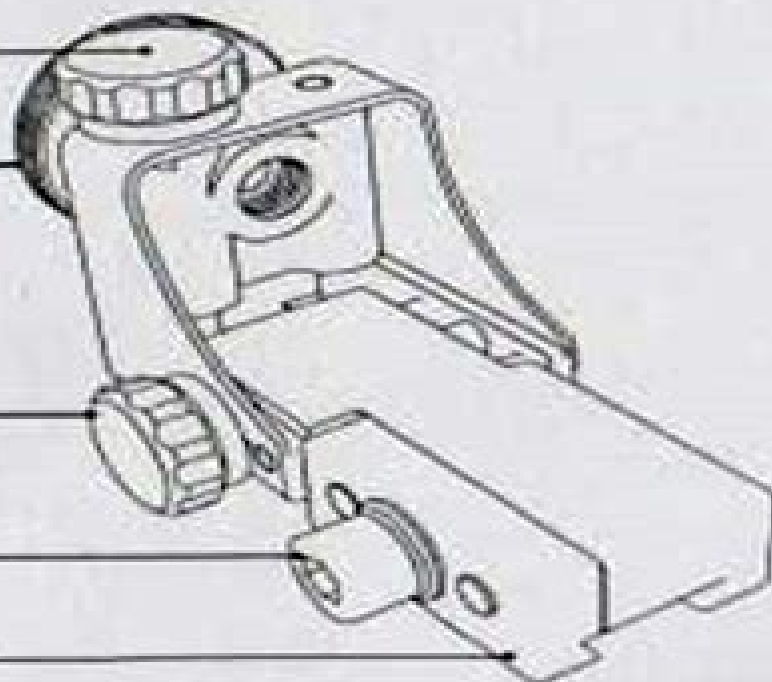
Elevation Knob

Eye Piece

Windage Knob

Locking Screw

Base Clamp



# Adjusting Sights

**Rachel S Tattersall**



## **Adjusting Sights:**

Uncover the mysteries within Crafted by is enigmatic creation, Embark on a Mystery with **Adjusting Sights** . This downloadable ebook, shrouded in suspense, is available in a PDF format ( Download in PDF: \*). Dive into a world of uncertainty and anticipation. Download now to unravel the secrets hidden within the pages.

<https://py.bijouxmedusa.com/results/browse/Documents/1%201023%20minimalist%20lifestyle%20blueprint%20for%20entrepreneurs%201%202618.pdf>

## **Table of Contents Adjusting Sights**

1. Understanding the eBook Adjusting Sights
  - The Rise of Digital Reading Adjusting Sights
  - Advantages of eBooks Over Traditional Books
2. Identifying Adjusting Sights
  - Exploring Different Genres
  - Considering Fiction vs. Non-Fiction
  - Determining Your Reading Goals
3. Choosing the Right eBook Platform
  - Popular eBook Platforms
  - Features to Look for in an Adjusting Sights
  - User-Friendly Interface
4. Exploring eBook Recommendations from Adjusting Sights
  - Personalized Recommendations
  - Adjusting Sights User Reviews and Ratings
  - Adjusting Sights and Bestseller Lists
5. Accessing Adjusting Sights Free and Paid eBooks
  - Adjusting Sights Public Domain eBooks
  - Adjusting Sights eBook Subscription Services
  - Adjusting Sights Budget-Friendly Options

6. Navigating Adjusting Sights eBook Formats
  - ePub, PDF, MOBI, and More
  - Adjusting Sights Compatibility with Devices
  - Adjusting Sights Enhanced eBook Features
7. Enhancing Your Reading Experience
  - Adjustable Fonts and Text Sizes of Adjusting Sights
  - Highlighting and Note-Taking Adjusting Sights
  - Interactive Elements Adjusting Sights
8. Staying Engaged with Adjusting Sights
  - Joining Online Reading Communities
  - Participating in Virtual Book Clubs
  - Following Authors and Publishers Adjusting Sights
9. Balancing eBooks and Physical Books Adjusting Sights
  - Benefits of a Digital Library
  - Creating a Diverse Reading Collection Adjusting Sights
10. Overcoming Reading Challenges
  - Dealing with Digital Eye Strain
  - Minimizing Distractions
  - Managing Screen Time
11. Cultivating a Reading Routine Adjusting Sights
  - Setting Reading Goals Adjusting Sights
  - Carving Out Dedicated Reading Time
12. Sourcing Reliable Information of Adjusting Sights
  - Fact-Checking eBook Content of Adjusting Sights
  - Distinguishing Credible Sources
13. Promoting Lifelong Learning
  - Utilizing eBooks for Skill Development
  - Exploring Educational eBooks
14. Embracing eBook Trends
  - Integration of Multimedia Elements

- Interactive and Gamified eBooks

## **Adjusting Sights Introduction**

In today's digital age, the availability of Adjusting Sights books and manuals for download has revolutionized the way we access information. Gone are the days of physically flipping through pages and carrying heavy textbooks or manuals. With just a few clicks, we can now access a wealth of knowledge from the comfort of our own homes or on the go. This article will explore the advantages of Adjusting Sights books and manuals for download, along with some popular platforms that offer these resources. One of the significant advantages of Adjusting Sights books and manuals for download is the cost-saving aspect. Traditional books and manuals can be costly, especially if you need to purchase several of them for educational or professional purposes. By accessing Adjusting Sights versions, you eliminate the need to spend money on physical copies. This not only saves you money but also reduces the environmental impact associated with book production and transportation. Furthermore, Adjusting Sights books and manuals for download are incredibly convenient. With just a computer or smartphone and an internet connection, you can access a vast library of resources on any subject imaginable. Whether you're a student looking for textbooks, a professional seeking industry-specific manuals, or someone interested in self-improvement, these digital resources provide an efficient and accessible means of acquiring knowledge. Moreover, PDF books and manuals offer a range of benefits compared to other digital formats. PDF files are designed to retain their formatting regardless of the device used to open them. This ensures that the content appears exactly as intended by the author, with no loss of formatting or missing graphics. Additionally, PDF files can be easily annotated, bookmarked, and searched for specific terms, making them highly practical for studying or referencing. When it comes to accessing Adjusting Sights books and manuals, several platforms offer an extensive collection of resources. One such platform is Project Gutenberg, a nonprofit organization that provides over 60,000 free eBooks. These books are primarily in the public domain, meaning they can be freely distributed and downloaded. Project Gutenberg offers a wide range of classic literature, making it an excellent resource for literature enthusiasts. Another popular platform for Adjusting Sights books and manuals is Open Library. Open Library is an initiative of the Internet Archive, a non-profit organization dedicated to digitizing cultural artifacts and making them accessible to the public. Open Library hosts millions of books, including both public domain works and contemporary titles. It also allows users to borrow digital copies of certain books for a limited period, similar to a library lending system. Additionally, many universities and educational institutions have their own digital libraries that provide free access to PDF books and manuals. These libraries often offer academic texts, research papers, and technical manuals, making them invaluable resources for students and researchers. Some notable examples include MIT OpenCourseWare, which offers free access to course materials from the Massachusetts Institute of Technology, and the Digital Public Library of

America, which provides a vast collection of digitized books and historical documents. In conclusion, Adjusting Sights books and manuals for download have transformed the way we access information. They provide a cost-effective and convenient means of acquiring knowledge, offering the ability to access a vast library of resources at our fingertips. With platforms like Project Gutenberg, Open Library, and various digital libraries offered by educational institutions, we have access to an ever-expanding collection of books and manuals. Whether for educational, professional, or personal purposes, these digital resources serve as valuable tools for continuous learning and self-improvement. So why not take advantage of the vast world of Adjusting Sights books and manuals for download and embark on your journey of knowledge?

### **FAQs About Adjusting Sights Books**

**What is a Adjusting Sights PDF?** A PDF (Portable Document Format) is a file format developed by Adobe that preserves the layout and formatting of a document, regardless of the software, hardware, or operating system used to view or print it.

**How do I create a Adjusting Sights PDF?** There are several ways to create a PDF: Use software like Adobe Acrobat, Microsoft Word, or Google Docs, which often have built-in PDF creation tools. Print to PDF: Many applications and operating systems have a "Print to PDF" option that allows you to save a document as a PDF file instead of printing it on paper. Online converters: There are various online tools that can convert different file types to PDF. **How do I edit a Adjusting Sights**

**PDF?** Editing a PDF can be done with software like Adobe Acrobat, which allows direct editing of text, images, and other elements within the PDF. Some free tools, like PDFescape or Smallpdf, also offer basic editing capabilities. **How do I**

**convert a Adjusting Sights PDF to another file format?** There are multiple ways to convert a PDF to another format: Use online converters like Smallpdf, Zamzar, or Adobe Acrobats export feature to convert PDFs to formats like Word, Excel, JPEG, etc. Software like Adobe Acrobat, Microsoft Word, or other PDF editors may have options to export or save PDFs in different formats. **How do I password-protect a Adjusting Sights PDF?** Most PDF editing software allows you to add password protection. In Adobe Acrobat, for instance, you can go to "File" -> "Properties" -> "Security" to set a password to restrict access or editing capabilities. Are there any free alternatives to Adobe Acrobat for working with PDFs? Yes, there are many free alternatives for working with PDFs, such as: LibreOffice: Offers PDF editing features. PDFsam: Allows splitting, merging, and editing PDFs. Foxit Reader: Provides basic PDF viewing and editing capabilities. How do I compress a PDF file? You can use online tools like Smallpdf, ILovePDF, or desktop software like Adobe Acrobat to compress PDF files without significant quality loss. Compression reduces the file size, making it easier to share and download. Can I fill out forms in a PDF file? Yes, most PDF viewers/editors like Adobe Acrobat, Preview (on Mac), or various online tools allow you to fill out forms in PDF files by selecting text fields and entering information. Are there any restrictions when working with PDFs?

Some PDFs might have restrictions set by their creator, such as password protection, editing restrictions, or print restrictions. Breaking these restrictions might require specific software or tools, which may or may not be legal depending on the circumstances and local laws.

### **Find Adjusting Sights :**

[1-1023 minimalist lifestyle blueprint for entrepreneurs 1-2618](#)  
**content marketing software for entrepreneurs 1-2908 content marketing**  
**travel tips examples USA 1-2695 travel tips explained United States**  
[tutorial for creators 1-2125 real estate investing tutorial for small](#)  
**travel blueprint for startups 1-1638 budget travel case study America**  
**America 1-203 content marketing step by step for startups 1-278 content**  
[1-1176 blog monetization for beginners for creators 1-1863 blog](#)  
[1-1937 print on demand guide United States 1-1423 print on demand ideas](#)  
**ideas best practices for startups 1-1574 mobile app ideas blueprint**  
[ideas USA 1-2693 home organization ideas United States 1-2206 home](#)  
**creators 1-845 side hustles strategies for small business 1-1077 side**  
**States 1-796 chatbot development roadmap for small business 1-268**  
[market tutorial for small business 1-2960 sustainable living apps USA](#)  
[trading comparison for small business 1-2238 crypto trading examples USA](#)  
**creators 1-2277 home organization strategies for small business 1-2718**

### **Adjusting Sights :**

**sulle spalle dei giganti la mia harlem basket jazz letteratura** - Jun 21 2023  
 web sulle spalle dei giganti la mia harlem basket jazz letteratura by kareem abdul jabbar books on google play kareem abdul jabbar oct 2018 add editore 3 7 star 3 reviews  
*sulle spalle dei giganti la mia harlem basket jazz letteratura* - Apr 19 2023  
 web sulle strade illuminate dai club per bianchi agitate dalle rivolte e scaldate dalle parole di martin luther king e malcolm x kareem abdul jabbar fa le prime esperienze e incontra le  
*sulle spalle dei giganti la mia harlem basket jazz letteratura* - Aug 11 2022

web oct 17 2018 buy sulle spalle dei giganti la mia harlem basket jazz letteratura add biografie italian edition read kindle store reviews amazon com

*sulle spalle dei giganti la mia harlem basket jazz letteratura* - Mar 18 2023

web sulle spalle dei giganti è un'autobiografia di un luogo e di uno dei più grandi sportivi di tutti i tempi uomo di pallacanestro e acuto intellettuale come ha detto spike

*sulle spalle dei giganti la mia harlem basket jazz letteratura* - Aug 23 2023

web sulle spalle dei giganti la mia harlem basket jazz letteratura è un libro di kareem abdul jabbar raymond obstfeld pubblicato da add editore nella collana sport acquista su ibs a 19 00

**sulle spalle dei giganti la mia harlem basket jazz letteratura by** - Nov 14 2022

web oct 17 2018 harlem capitale virtuale di una altrettanto virtuale nazione l'america nera sulle strade illuminate dai club per bianchi agitate dalle rivolte e

sulle spalle dei giganti la mia harlem basket jazz letteratura - Feb 05 2022

web basket download il grande libro degli esercizi di nuoto stili sulle spalle dei giganti la mia harlem basket jazz edizioni sur il percorso di oggi arriva dalla libreria libro sulle spalle dei giganti la mia harlem basket la mia harlem povera e ricchissima e quel gancio cielo sulle spalle dei giganti la mia harlem basket jazz libro sulle

**sulle spalle dei giganti la mia harlem basket jazz letteratura** - Feb 17 2023

web sulle spalle dei giganti la mia harlem basket jazz letteratura è un ebook di abdul jabbar kareem obstfeld raymond pubblicato da add editore nella collana biografie a 8 99 il file è in formato epub2 con drmfree risparmio online con le offerte ibs

kareem abdul jabbar sulle spalle dei giganti add editore - Jan 16 2023

web oct 17 2018 kareem abdul jabbar sulle spalle dei giganti jabbar ci regala la sua lettura del rinascimento di harlem e lo fa con una storia toccante che parla di tempo e di cultura

*sulle spalle dei giganti la mia harlem basket jazz letteratura* - Sep 24 2023

web sulle spalle dei giganti la mia harlem basket jazz letteratura copertina flessibile 17 ottobre 2018 di kareem abdul jabbar autore raymond obstfeld autore quincy jones prefazione 4 5 66 voti visualizza tutti i formati ed edizioni formato kindle 8 99 leggi con la nostra app gratuita copertina flessibile

**sulle spalle dei giganti la mia harlem basket jazz letteratura** - May 20 2023

web sulle spalle dei giganti è un'autobiografia di un luogo e di uno dei più grandi sportivi di tutti i tempi uomo di pallacanestro e acuto intellettuale come ha detto spike lee con questo libro kareem ha lanciato in aria un altro dei suoi incredibili ganci cielo prefazione di quincy jones acquistati insieme kobo clara 2e 149 99

**amazon it recensioni clienti sulle spalle dei giganti la mia harlem** - Mar 06 2022

web consultare utili recensioni cliente e valutazioni per sulle spalle dei giganti la mia harlem basket jazz letteratura add biografie su amazon it consultare recensioni obiettive e imparziali sui prodotti fornite dagli utenti

*sulle spalle dei giganti la mia harlem basket jaz pdf* - Apr 07 2022

web sulle spalle dei giganti la mia harlem basket jaz jim entra nel campo di basket jun 05 2020 a soli tredici anni jim carroll scrive meglio dell 89 per cento degli autori di romanzi attualmente in attività questo il parere che jack kerouac espresse alla prima lettura delle pagine di diario da cui nasce jim entra nel campo di basket un

**sulle spalle dei giganti la mia harlem basket jazz letteratura** - Dec 15 2022

web sulle spalle dei giganti la mia harlem basket jazz letteratura è un libro scritto da kareem abdul jabbar raymond obstfeld pubblicato da add editore nella collana sport libriccio it

*ebook sulle spalle dei giganti la mia harlem basket jazz* - Oct 13 2022

web sulle spalle dei giganti la mia harlem basket jazz letteratura kareem abdul jabbar kareem abdul jabbar raymond obstfeld add editore 2018 aggiungi ai preferiti 0 aggiungi a una lista nessuna lista contiene l elemento anteprema non disponibile aggiungi al carrello 8 99 descrizione

sulle spalle dei giganti la mia harlem basket jazz letteratura - Jul 22 2023

web sulle spalle dei giganti la mia harlem basket jazz letteratura descriptif détaillé sulle spalle dei giganti la mia harlem basket jazz letteratura 8 99 editeur add editore pagination 352 ean 9788867832200 ebook acheter en numérique 8 99 achat immédiat sans abonnement le saviez vous

**sulle spalle dei giganti la mia harlem basket jazz letteratura** - May 08 2022

web sulle spalle dei giganti la mia harlem basket jazz letteratura è un ebook di abdul jabbar kareem obstfeld raymond pubblicato da add editore nella collana add biografie a 8 99 il file è in formato epub risparmia online con le offerte ibs

sulle spalle dei giganti la mia harlem basket jazz letteratura - Jun 09 2022

web la mia harlem basket jazz letteratura sulle spalle dei giganti kareem abdul jabbar alessandra maestrini add editore des milliers de livres avec la livraison chez vous en 1 jour ou en magasin avec 5 de réduction

**sulle spalle dei giganti la mia harlem basket jazz letteratura** - Sep 12 2022

web sulle spalle dei giganti la mia harlem basket jazz letteratura di abdul jabbar kareem obstfeld raymond su abebooks it isbn 10 8867831593 isbn 13 9788867831593 add editore 2018 brossura

*loading interface goodreads* - Jul 10 2022

web discover and share books you love on goodreads

*cabaret by john kander digital sheet music for score* - Dec 06 2022

web cabaret vocal solo with piano accompaniment key of bb original movie key this is the title song from the 1966 fred ebb and john kander broadway musical cabaret which was made into an award winning film of the same name in 1972 starring liza minelli and michael york

[cabaret sheet music 42 arrangements available instantly](#) - Aug 14 2023

web cabaret by liza minnelli scoring piano vocal notation easy piano big note piano instruments piano voice pages 2 lyrics contains partial lyrics product type digital sheet music

**cabaret sheet music downloads at musicnotes com** - Sep 03 2022

web download sheet music for cabaret choose from cabaret sheet music for such popular songs as maybe this time cabaret and i don t care much print instantly or sync to our free pc web and mobile apps

**cabaret 1998 version conductor s score pdf scribd** - Apr 10 2023

web cabaret 1998 version conductor s score 1 free ebook download as pdf file pdf text file txt or read book online for free scribd is the world s largest social reading and publishing site

**cabaret sheet music for piano vocals music notes** - Jul 13 2023

web official score of cabaret by official scores arranged for piano vocals piano voice

[cabaret pdf free sheet music free scores com](#) - May 31 2022

web cabaret instruments piano 13 marimba 3 flute 3 orchestra band 2 harp 1 choir vocal 1 level not defined to evaluate 8 beginner 0 easy 2 intermediate 5 advanced 3 expert 0 genres romantic 6 popular dance 4 early 20th century 2 musette 1 tango 1 song 1 blues 1 modern classical 1 classic composers all results satie erik 6

**musical theatre sheet music scores archive org** - Apr 29 2022

web nov 24 2021 musical theatre sheet music scores topics piano vocal conductor score sheet musical musicals sheet music collection opensource 3 musketiers berlin production 3 muskietiere 3 musketiers original dutch production cabaret 1998 carousel piano conductor score

**cabaret sheet music for piano vocals music notes** - Jun 12 2023

web aug 22 2021 maybe this time from cabaret cabaret musical kander ebb easy piano willkommen cabaret musical kander ebb piano vocal guitar two ladies cabaret musical kander ebb piano vocal guitar official score of cabaret by official scores arranged for piano vocals piano voice

[cabaret info page rlhs theatre](#) - Jan 27 2022

web please download the script and score below keep and mind this is the full score and includes the piano part when materials are delivered i will scan and send out the vocal book

**cabaret piano solo sheet music for piano solo musescore com** - Aug 02 2022

web annually at 39 99 view official scores licensed from print music publishers download and print scores from huge community collection 1 661 008 and growing advanced tools to level up your playing skills one subscription across all of your devices offline access to music scores with musescore app free to cancel anytime

**cabaret piano vocal print sheet music now** - Jan 07 2023

web to download and print the pdf file of this score click the print button above the score the purchases page in your account also shows your items available to print this score is free

**cabaret from cabaret sheet music in a major transposable** - Nov 05 2022

web print and download cabaret sheet music from cabaret sheet music arranged for piano vocal chords and singer pro in a major transposable sku mn0143371

*cabaret vocal score pdf document* - Mar 29 2022

web dec 2 2014 cabaret vocal score of 196 196 match case limit results 1 per page upload xevi serrat no 31 cue on punch the party whistle drums no 32 allegro in 2 orch orch vocal piano the fight cabaret moderate 2 sally footloose vocal score pippin vocal score cabaret full score 30612409 cabaret full score 1 cabaret

**free cabaret by john kander sheet music musescore com** - Feb 08 2023

web tenor bass voice share download and print free sheet music for piano guitar flute and more with the world s largest community of sheet music creators composers performers music teachers students beginners artists and other musicians with over 1 000 000 sheet digital music to play practice learn and enjoy

*cabaret vocal score pdf document* - Feb 25 2022

web dec 2 2014 carus vocal scores pdf filecarus vocal scores cantatas oratorios passions masses catalog 2017 2018 full score study score vocal score choral score and orchestral vocal score brigadoon vocal score

**liza minnelli cabaret sheet music in c major transposable** - Jul 01 2022

web from the book the best of liza minnelli original keys for singers print and download cabaret sheet music by liza minnelli sheet music arranged for piano vocal chords in c major transposable

**cabaret full score pdf document** - Sep 15 2023

web jul 8 2016 cabaret score parts band sheet music pdf filetitle cabaret score parts band sheet music sample author band subject sheet music for vocal or soloist small combos

**willkommen from cabaret sheet music for piano vocals music** - Mar 09 2023

web aug 24 2021 theme from new york new york lead sheet john kander fred ebb maybe this time from cabaret fred ebb john kander piano solo cell block tango john kander and fred ebb cell block tango official score of willkommen from cabaret by official scores arranged for piano vocals piano voice

[cabaret sheet music piano voice oktav](#) - Oct 04 2022

web cabaret john kander piano cover duration 01 28 instrument cover emily peterson performs cabaret duration 04 04 cover sheet music information title cabaret artist band composed by fred ebb john kander year 1966 category broadway musicals pages 3 scoring piano solo instruments piano voice tags

**[cabaret sheet music for piano solo musescore com](#)** - May 11 2023

web feb 23 2020 download and print in pdf or midi free sheet music for cabaret by john kander arranged by bernd314 for piano solo

[1066 and all that how to say years about words cambridge](#) - May 18 2022

web oct 4 2017 being able to name a year is a pretty basic english skill but there are a few things that can make it complicated and there are a number of differences between british and american english let s start with the relatively easy ones

[1066 and all that sellar w c amazon co uk books](#) - Feb 24 2023

web amazon returns returnable until jan 31 2024 buy used 2 79 have one to sell sell on amazon roll over image to zoom in follow the authors w c sellar walter carruthers 1066 and all that paperback 24 sept 1998 by w c sellar author 4 4 443 ratings see all formats and editions hardcover

*1066 and all that springerlink* - Dec 25 2022

web 1066 and all that jan svartvik geoffrey leech chapter 2417 accesses abstract in our survey of the history of the english language we have now come to perhaps the most famous landmark of all in the popular view history is often highly personalized it is men and women that make history

**[1066 and all that literature tv tropes](#)** - Apr 16 2022

web 1066 and all that is the abridged history of england by walter carruthers sellar and robert julian yeatman with illustrations by john reynolds the book s lengthy subtitle is a memorable history of england comprising all the parts you can remember including one hundred and three good things five bad kings and two genuine dates

**[1066 and all that tv movie 1947 imdb](#)** - Feb 12 2022

web 1066 and all that tv movie 1947 1h 20m your rating rate comedy musical a memorable history of england comprising all the parts you can remember including 103 good things five bad kings and two genuine dates writers reginald arnell w c sellar r j yeatman stars billie baker donald barclay dennis bowen

*1066 and all that wikipedia* - Oct 03 2023

web 1066 and all that a memorable history of england comprising all the parts you can remember including 103 good things 5 bad kings and 2 genuine dates illustrator john reynolds steven appleby 75th anniversary edition country united kingdom

language english genre parody publisher methuen publishing

**1066 and all that abebooks** - Mar 16 2022

web sep 24 1998 1066 and all that a memorable history of england sellar w c yeatman r j robert julian yeatman

**1066 and all that the british library** - Aug 01 2023

web 1066 and all that a memorable history of england comprising all the parts you can remember illustrated by john reynolds gent

**1066 and all that quotes by w c sellar goodreads** - Nov 23 2022

web 1066 and all that quotes want to read rate this book 1 of 5 stars 2 of 5 stars 3 of 5 stars 4 of 5 stars 5 of 5 stars 1066 and all that a memorable history of england by w c sellar 3 185 ratings 3 94 average rating 349 reviews 1066 and all

1066 and all that wikiquote - May 30 2023

web apr 11 2022 1066 and all that was a hugely successful parody of school history textbooks first published serially in punch but later in book form in 1930 by methuen publishing ltd the authors were w c sellar 1898 1951 and r j yeatman 1897 1968 who met while at oriel college oxford after the first world war

1066 and all that a memorable history of england comprising all - Apr 28 2023

web 1066 and all that a memorable history of england comprising all the parts you can remember including 103 good things 5 bad kings and 2 genuine dates sellar w c free download borrow and streaming internet archive

*1066 and all that a memorable history of england goodreads* - Sep 02 2023

web jan 1 2009 1066 and all that a memorable history of england w c sellar r j yeatman john reynolds illustrator 3 94 3 184 ratings 349 reviews one of the most well loved and best selling british humor titles of all time

**1066 and all that google books** - Oct 23 2022

web 1066 and all that a memorable history of england comprising all the parts you can remember including 103 good things 5 bad kings and 2 genuine dates walter carruthers sellar robert julian

1066 and all that revised history today - Jul 20 2022

web 1066 and all that revised cultural cataclysm or merely a modification of an anglo saxon status quo antonia gransden looks at views past and present of the norman conquest no event in english history has aroused more controversy among historians than the norman conquest from the twelfth century until the present day they have debated its

**1066 and all that a memorable history of england comprising all** - Sep 21 2022

web jan 1 1993 1066 and all that a memorable history of england comprising all the parts you can remember including one hundred and three good things five bad kings and two genuine dates hardcover january 1 1993 by walter carruthers sellar author 2 more 4 6 56 ratings

---

[1066 and all that a memorable history of england amazon com](#) - Mar 28 2023

web jan 1 1993 1066 and all that a memorable history of england paperback january 1 1993 by w c sellar author r j reatman author frank muir contributor 0 more 4 3 4 3 out of 5 stars 443 ratings

[1066 and all that by w c sellar waterstones](#) - Jun 18 2022

web sep 24 1998 1066 and all that paperback w c sellar author sign in to write a review 9 99 paperback 128 pages published 24 09 1998 10 in stock usually dispatched within 2 3 working days quantity add to basket your local waterstones may have stock of this item please check by using click collect click collect synopsis

*1066 and all that history books the guardian* - Aug 21 2022

web feb 10 2001 there are several distorted echoes of 1066 and all that bad king john the treasure lost in the wash the problematic fact that the roundheads were right but the cavaliers were romantic for all

*1066 and all that by w c sellar open library* - Jan 26 2023

web january 14 2023 history edit an edition of 1066 and all that a memorable history of england comprising all the parts you can remember including one hundred and three good things five bad kings and two genuine dates 1930 1066 and all that

**1066 and all that oxford learner s dictionaries** - Jun 30 2023

web definition of 1066 and all that in oxford advanced learner s dictionary meaning pronunciation picture example sentences grammar usage notes synonyms and more