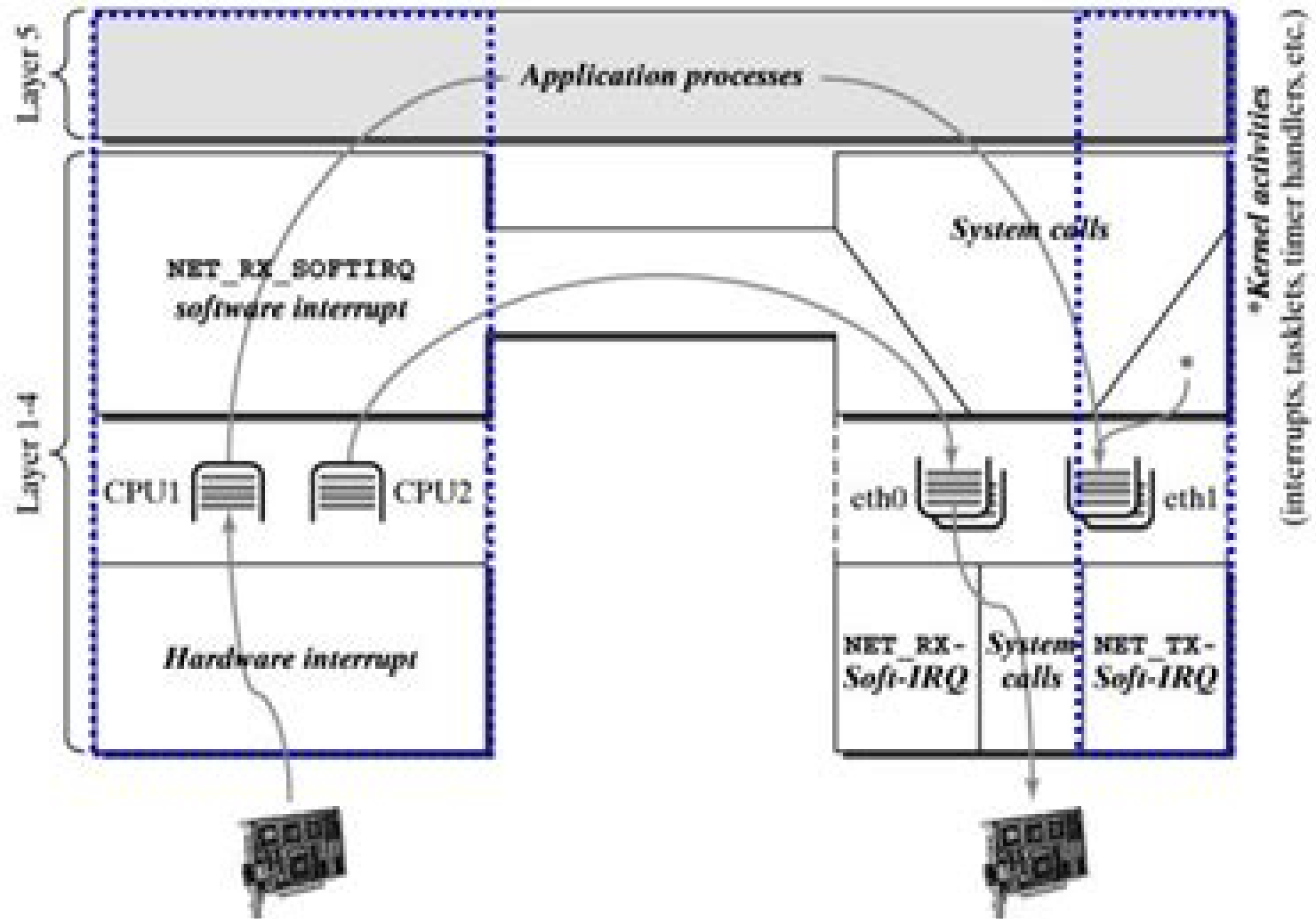


Linux Network Activity



Advanced Linux Networking

TD Snyder



Advanced Linux Networking:

Advanced Linux Networking Roderick W. Smith, 2002 Advanced Linux Networking is designed to help users achieve a higher level of competence It focuses on powerful techniques and features of Linux networking and provides the know how needed to improve server efficiency enhance security and adapt to new requirements [Advanced Guide to Linux Networking and Security](#) Ed Sawicki, Nicholas Wells, 2006 Linux is the fastest growing operating system As the number of companies implementing Linux increases so too does the rapidly developing need for skilled users developers and administrators Advanced Guide to Linux Networking and Security was especially designed for individuals who want to move beyond just the basics of Linux installation and administration into a broader study of the many security issues surrounding this operating system With its comprehensive Linux security coverage this text can fit into any Linux Security course and is intended to follow the Complete Guide to Linux System Administration by Nick Wells *Network Programmability and Automation* Jason Edelman, Scott S. Lowe, Matt Oswalt, 2018-02-02 This practical guide shows network engineers how to use a range of technologies and tools including Linux Python JSON and XML to automate their systems through code This book will help you simplify tasks involved in configuring managing and operating network equipment topologies services and connectivity Page 4 of cover [Linux Advanced Routing and Traffic Control HOWTO](#) Gregory Maxwell, Remco Mook, Martijn Oosterhout, Paul Schroeder, Jasper Spaans, Bert Hubert, 2019-11-06 Summary This classic howto was written in 2002 but it is still a must read howto for any Linux networking professionals today Many practical examples are included in the book It is a very hands on approach to iproute2 traffic shaping policy routing and a bit of netfilter This is a book you should have on your bookshelf Table of Contents Dedication Introduction Introduction to iproute2 Rules routing policy database GRE and other tunnels IPv6 tunneling with Cisco and or 6bone IPsec secure IP over the internet Multicast routing Queueing Disciplines for Bandwidth Management Load sharing over multiple interfaces Netfilter iproute marking packets Advanced filters for re classifying packets Kernel network parameters Advanced less common queueing disciplines Cookbook Building bridges and pseudo bridges with Proxy ARP Dynamic routing OSPF and BGP Other possibilities Further reading Acknowledgements

Network Programmability and Automation Matt Oswalt, Christian Adell, Scott S. Lowe, Jason Edelman, 2022-06-23 Network engineers are finding it harder than ever to rely solely on manual processes to get their jobs done New protocols technologies delivery models and the need for businesses to become more agile and flexible have made network automation essential The updated second edition of this practical guide shows network engineers how to use a range of technologies and tools including Linux Python APIs and Git to automate systems through code This edition also includes brand new topics such as network development environments cloud programming with Go and a reference network automation architecture Network Programmability and Automation will help you automate tasks involved in configuring managing and operating network equipment topologies services and connectivity Through the course of the book you ll learn the basic skills and tools

you need to make this critical transition You ll learn Programming skills with Python and Go data types conditionals loops functions and more New Linux based networking technologies and cloud native environments and how to use them to bootstrap development environments for your network projects Data formats and models JSON XML YAML Protobuf and YANG Jinja templating for creating network device configurations A holistic approach to architecting network automation services The role of application programming interfaces APIs in network automation Source control with Git to manage code changes during the automation process Cloud native technologies like Docker and Kubernetes How to automate network devices and services using Ansible Nornir and Terraform Tools and technologies for developing and continuously integrating network automation

Mastering Linux Network Administration Jay LaCroix,2015-11-03 Master the skills and techniques that are required to design deploy and administer real Linux based networks About This Book Master the art of using Linux and administering network services for enterprise environments Perform hands on activities to reinforce expert level knowledge Get full coverage of both the CentOS and Debian systems including how networking concepts differ for each Who This Book Is For Mastering Linux Network Administration is recommended for those who already understand the basics of using Linux and networking and would like to push those skills to a higher level through real world Linux networking scenarios Whether you intend to run a home office consisting of Linux nodes or a rollout of a Linux network within your organization this book is a great fit for those that desire to learn how to manage networked systems with the power of Linux What You Will Learn Install and configure the Debian and CentOS systems Set up and configure file servers Administer networked nodes remotely Discover how to monitor system performance for peak health Configure network services such as DNS and DHCP Host HTTP content via Apache Troubleshoot Linux networking issues In Detail Linux is everywhere Whether you run a home office a small business or manage enterprise systems Linux can empower your network to perform at its very best Armed with the advanced tools and best practice guidance of this practical guide you ll be able to mold Linux networks to your will empowering your systems and their users to take advantage of all that Linux based networks have to offer Understand how Linux networks function and get to grips with essential tips and tricks to manage them whether you re already managing a networks or even just starting out With Debian and CentOS as its source this book will divulge all the details you need to manage a real Linux based network With detailed activities and instructions based on real world scenarios this book will be your guide to the exciting world of Linux networking Style and approach This practical guide will walk you through all the core concepts required to manage real Linux based networks

Network Dictionary Javvin Wwww Networkdictionary Com,2007 Whether the reader is the biggest technology geek or simply a computer enthusiast this integral reference tool can shed light on the terms that ll pop up daily in the communications industry Computer Books Communications Networking

Red Hat Linux Networking and System Administration Terry Collings,Kurt Wall,2004-02-20 Updated to cover Red Hat Linux Enterprise Workstation with the latest on advanced Linux kernel features

the Tux Web server the latest Apache 2 x Web server and the expanded suite of custom configuration tools Starts with network planning and Red Hat installation and configuration then progresses to optimizing network and Internet services and monitoring and maintaining the network Examines the basics of Red Hat Linux security and offers trouble shooting and problem solving advice Includes important new chapters that focus on optimizing standard network services such as file and print services and Internet related servers such as the Apache Web server Copyright 2004 by Red Hat Inc Material from Chapters 4 6 8 10 17 and 21 may be distributed only subject to the terms and conditions set forth in the Open Publication License V1 0 or later the latest version is presently available at <http://www.opencontent.org/openpub>

Advanced Networking Concepts Applied Using Linux on IBM System Z Lydia Parziale, Ben Louie, Eric Marins, Tiago Santos, Srivatsan Venkatesan, 2012 This IBM Redbooks publication describes important networking concepts and industry standards that are used to support high availability on IBM System z Some of the networking standards described here are VLANs VLAN trunking link aggregation virtual switches VNICs and load balancing We examine the various aspects of network setups and introduce the main Linux on System z networking commands and configuration files We describe the management of network interface parameters assignment of addresses to a network interface and usage of the `ifconfig` command to configure network interfaces We provide an overview of connectivity options available on the System z platform We also describe high availability concepts and building a high availability solution using IBM Tivoli System Automation We also provide the implementation steps necessary to build a redundant network connections set up between an IBM z VM system and the external network switches using two Open Systems Adapter Express 3 OSA Express 3 adapters with 10 Gb Ethernet ports We describe the tests performed in our lab environment The objectives of these tests were to gather information about performance and failover from the perspective of a real scenario where the concepts of described in this book were applied This book is focused on information that is practical and useful for readers with experience in network analysis and engineering networks System z and Linux systems administrators especially for readers that administer networks in their day to day activities For additional reading A Technote is available that explains changes to using channel bonding interfaces introduced with SLES 11 SP 2 It can be found at <http://www.redbooks.ibm.com/abstracts/tips1000.html> Open [Mastering Linux](#) Rahul Dwivedi, 2024-11-01

PURPOSE OF THIS BOOK This book is written with one simple dream to make knowledge affordable and accessible for everyone Education should never be a luxury that only the rich can afford it is a right that belongs to every human being That s why this book is priced at nominal charges so that even those who cannot afford expensive courses schools or coaching can still learn grow and build their future Whether you are a Cybersecurity students App developers and Digital forensics professionals a beginner or someone curious about learning this book is designed for you so that money never becomes a barrier between you and education Because I think True power lies in knowledge and knowledge must be shared with all About Book *Mastering Linux Advanced Level* Unlock the power of professional Linux

system administration security and automation Learn advanced server management networking kernel tuning and ethical hacking with hands on labs and real world projects Perfect for IT professionals sysadmins and cybersecurity learners who want to master Linux like a pro Keywords Linux Linux book learn Linux Linux for beginners Linux guide Linux tutorial Linux commands Linux shell Linux terminal Linux basics Linux administration Linux server Linux for professionals Linux operating system Linux mastery Linux course Linux learning Linux certification Linux expert Linux command line Linux scripting Bash scripting Linux shell scripting Linux kernel Linux networking Linux system administration Ubuntu Red Hat CentOS Fedora Debian Linux tips Linux tricks Linux guidebook Linux user manual Linux programming Linux server management Linux command guide Linux system setup Linux tutorial book mastering Linux Linux for students Linux administration guide Linux commands list Linux shell guide Linux coding Linux practice Linux for IT professionals Linux system engineer Linux course book Linux desktop Linux file system Linux terminal commands Linux beginner guide Linux reference Linux advanced Linux security Linux troubleshooting Linux automation Linux DevOps Linux virtualization Linux tools Linux networking guide Linux sysadmin Linux operating system book Linux basics to advanced Linux essential commands Linux bash Linux cheat sheet Linux for developers Linux shell practice Linux learning path Linux performance Linux optimization Linux for hackers Linux certification guide Linux engineer book Linux for ethical hacking Linux kernel basics Linux system guide Linux projects Linux hands on Linux tutorial for beginners Linux notes Linux interview questions Linux practice book Linux CLI Linux terminal tips Linux shell commands Linux configuration Linux management Linux jobs Linux professional guide Linux manual Linux expert book Linux reference guide Linux training book Mastering Linux Advanced Linux Linux advanced course Linux mastery guide Linux professional book Linux system administration Linux advanced tutorial Linux expert guide Linux power user Linux for professionals Linux command line mastery Linux shell scripting advanced bash scripting expert Linux server management Linux system optimization Linux kernel guide Linux kernel tuning advanced bash commands Linux automation Linux performance tuning Linux security hardening Linux troubleshooting Linux optimization Linux networking Linux system administration book Linux sysadmin guide Linux DevOps Linux for system engineers Red Hat Enterprise Linux Ubuntu server guide CentOS administration Debian server management Fedora advanced Arch Linux mastery advanced Linux shell Linux scripting projects Linux automation scripts Linux terminal mastery Linux server security SELinux configuration iptables firewall nftables firewall Linux network configuration Linux SSH security Linux remote management advanced SSH commands Linux virtualization KVM virtualization Docker on Linux Kubernetes on Linux Linux cloud management AWS Linux administration GCP Linux Azure Linux Linux for DevOps engineers Linux for cybersecurity Linux ethical hacking Linux penetration testing Linux exploit development Linux file system internals Linux process management Linux system calls systemd deep dive Linux boot process GRUB configuration Linux dual boot Linux monitoring Linux performance tools Linux benchmarking Linux disk management LVM setup RAID configuration Linux storage optimization ext4 xfs btrfs Linux backup

and recovery rsync advanced Linux cron jobs automation with cron Linux scripting automation Linux shell loops awk sed grep advanced Linux piping and redirection Linux logs analysis journalctl dmesg syslog Linux performance monitoring htop iotop nload Linux server optimization Linux memory management swap configuration sysctl tuning Linux tuning parameters Linux debugging strace lsof netstat ss command Linux network troubleshooting traceroute dig nslookup Linux DNS configuration Linux load balancing HAProxy setup Nginx advanced Apache tuning Linux mail server Postfix Dovecot setup Linux VPN setup WireGuard OpenVPN Linux encryption LUKS configuration GPG usage OpenSSL commands Linux auditd AppArmor policies Linux security modules Linux malware detection Linux patch management kernel security updates Linux firewall configuration Linux process scheduling cgroups namespaces Linux containers Docker security Podman Kubernetes orchestration Linux system architecture Linux memory tuning Linux multitasking Linux threading Linux interprocess communication Linux daemons Linux system services Linux sysctl conf Linux security best practices Linux optimization for performance Linux server hardening Linux enterprise solutions Linux hybrid cloud Linux for administrators Linux for engineers Linux cloud integration Linux automation tools Ansible on Linux Puppet Linux Chef Linux automation Linux CI CD pipelines Jenkins on Linux Linux continuous deployment Linux system design Linux enterprise administration Linux system monitoring tools Linux kernel compilation build custom Linux compile kernel Linux source code management Linux driver development Linux API programming Linux POSIX threads Linux shell customization bashrc aliases environment variables Linux history commands Linux regex advanced grep sed and awk mastery Linux scripting interview questions Linux admin interview prep Linux professional certification RHCE LPIC 2 LPIC 3 Linux certification exam prep Linux advanced study guide Linux performance expert Linux administrator handbook Linux professional training Linux masterclass Linux reference guide Linux cheat sheet advanced Linux command list advanced Linux commands Linux productivity Linux toolkit Linux expert handbook Linux for DevOps professionals Linux infrastructure management Linux automation engineer Linux cloud engineer Linux advanced networking Linux security engineer Linux systems design Linux master tutorial Linux professional reference Linux hands on labs Linux for developers Linux deep dive Linux architecture guide Linux scripting reference Linux command reference mastering bash shell Linux advanced scripting Linux enterprise deployment Linux hybrid systems Linux configuration management

Linux Network Servers Craig Hunt, 2006-10-11 Authoritative Answers to All Your Linux Network Server Questions Specifically for Linux Administrators Tap into Linux's impressive capabilities as a network server Written by one of the world's leading Linux system administration experts Linux Network Servers teaches you step by step all the standard and advanced techniques you need to know to configure and administer a full range of network services from file and printer sharing to email and the Web Hundreds of clear consistent examples illustrate these techniques in detail so you stay on track and accomplish all your goals Coverage includes the following Installing Linux Understanding the boot process Working with the network interface Setting up login services Using Linux name services Configuring a mail server

Setting up Apache Web server Configuring network gateway services Configuring desktop configuration server Setting up file sharing Setting up printer services Securing your server Troubleshooting The Craig Hunt Linux Library The Craig Hunt Linux Library provides in depth advanced coverage of the key topics for Linux administrators Topics include Samba System Administration DNS Server Administration Apache Security and Sendmail Each book in the series is either written by or meticulously reviewed by Craig Hunt to ensure the highest quality and most complete coverage for networking professionals working specifically in Linux environments

Ultimate Linux Network Security for Enterprises Adarsh Kant, 2024-04-30

Level Up Your Security Skills with Linux Expertise Key Features Comprehensive exploration of Linux network security and advanced techniques to defend against evolving cyber threats Hands on exercises to reinforce your understanding and gain practical experience in implementing cybersecurity strategies Gain valuable insights from industry best practices to effectively address emerging threats and protect your organization's digital assets within the evolving landscape of Linux network security

Book DescriptionThe Ultimate Linux Network Security for Enterprises is your essential companion to mastering advanced cybersecurity techniques tailored for Linux systems The book provides a comprehensive exploration of Linux network security equipping you with the skills and knowledge needed to defend against evolving cyber threats Through hands on exercises real world scenarios and industry best practices this book empowers you to fortify your organization's networks with confidence Discover practical insights and techniques that transcend theoretical knowledge enabling you to apply effective cybersecurity strategies in your job role From understanding fundamental concepts to implementing robust security measures each chapter provides invaluable insights into securing Linux based networks Whether you are tasked with conducting vulnerability assessments designing incident response plans or implementing intrusion detection systems this book equips you with the tools and expertise to excel in your cybersecurity endeavors By the end of this book you will gain the expertise needed to stay ahead of emerging threats and safeguard your organization's digital assets What you will learn Perform thorough vulnerability assessments on Linux networks to pinpoint network weaknesses Develop and deploy resilient security incident response plans Configure and oversee sophisticated firewall and packet filtering rules Employ cryptography techniques to ensure secure data transmission and storage Implement efficient Intrusion Detection and Prevention Systems IDS IPS Enforce industry leading best practices to bolster Linux network security defenses

Table of Contents

- 1 Exploring Linux Network Security Fundamentals
- 2 Creating a Secure Lab Environment
- 3 Access Control Mechanism in Linux
- 4 Implementing Firewalls And Packet Filtering
- 5 Mastering Cryptography for Network Security
- 6 Intrusion Detection System and Intrusion Prevention System
- 7 Conducting Vulnerability Assessment with Linux
- 8 Creating Effective Disaster Recovery Strategies
- 9 Robust Security Incident Response Plan
- 10 Best Practices for Linux Network Security Professionals

Index

Linux Journal, 2005-07 *Linux Administration* Steven Graham, Steve Shah, 2003 This volume is a practical guide to Linux for systems and network administrators who are moving from Windows NT to Linux or

are experimenting with bringing Linux into their network topology [Linux Advanced System and Network Administration](#) Element K Content LLC,2005-01-01 **Advanced Networking Concepts Applied Using Linux on IBM System z** Lydia Parziale,Ben Louie,Eric Marins,Tiago Nunes dos Santos,Srivatsan Venkatesan,IBM Redbooks,2012-03-06 This IBM Redbooks publication describes important networking concepts and industry standards that are used to support high availability on IBM System z Some of the networking standards described here are VLANs VLAN trunking link aggregation virtual switches VNICs and load balancing We examine the various aspects of network setups and introduce the main Linux on System z networking commands and configuration files We describe the management of network interface parameters assignment of addresses to a network interface and usage of the ifconfig command to configure network interfaces We provide an overview of connectivity options available on the System z platform We also describe high availability concepts and building a high availability solution using IBM Tivoli System Automation We also provide the implementation steps necessary to build a redundant network connections set up between an IBM z VM system and the external network switches using two Open Systems Adapter Express 3 OSA Express 3 adapters with 10 Gb Ethernet ports We describe the tests performed in our lab environment The objectives of these tests were to gather information about performance and failover from the perspective of a real scenario where the concepts of described in this book were applied This book is focused on information that is practical and useful for readers with experience in network analysis and engineering networks System z and Linux systems administrators especially for readers that administer networks in their day to day activities For additional reading A Technote is available that explains changes to using channel bonding interfaces introduced with SLES 11 SP 2 It can be found at <http://www.redbooks.ibm.com/abstracts/tips1000.html> Open [A Practical Guide to Advanced Networking](#) Jeffrey S. Beasley,Piyasat Nilkaew,2012-11-05 A Practical Guide to Advanced Networking Third Edition takes a pragmatic hands on approach to teaching advanced modern networking concepts from the network administrator s point of view Thoroughly updated for the latest networking technologies and applications the book guides you through designing configuring and managing campus networks connecting networks to the Internet and using the latest networking technologies The authors first show how to solve key network design challenges including data flow selection of network media IP allocation subnetting and configuration of both VLANs and Layer 3 routed networks Next they illuminate advanced routing techniques using RIP RIPv2 OSPF IS IS EIGRP and other protocols and show how to address common requirements such as static routing and route redistribution You ll find thorough coverage of configuring IP based network infrastructure and using powerful WireShark and NetFlow tools to analyze and troubleshoot traffic A full chapter on security introduces best practices for preventing DoS attacks configuring access lists and protecting routers switches VPNs and wireless networks This book s coverage also includes IPv6 Linux based networking Juniper routers BGP Internet routing and Voice over IP VoIP Every topic is introduced in clear easy to understand language key ideas are reinforced with working examples and hands on exercises

based on powerful network simulation software Key Pedagogical Features NET CHALLENGE SIMULATION SOFTWARE provides hands on experience with advanced router and switch commands interface configuration and protocols now including RIPv2 and IS IS WIRESHARK NETWORK PROTOCOL ANALYZER TECHNIQUES and EXAMPLES of advanced data traffic analysis throughout PROVEN TOOLS FOR MORE EFFECTIVE LEARNING including chapter outlines and summaries WORKING EXAMPLES IN EVERY CHAPTER to reinforce key concepts and promote mastery KEY TERMS DEFINITIONS LISTINGS and EXTENSIVE GLOSSARY to help you master the language of networking QUESTIONS PROBLEMS and CRITICAL THINKING QUESTIONS to help you deepen your understanding CD ROM includes Net Challenge Simulation Software and the Wireshark Network Protocol Analyzer Software examples **Sys Admin** ,2005 **MCSE Windows 2000 Network Infrastructure** Dave Bixler,Larry Chambers,Joseph Phillips,2000 Designed for advanced end users network engineers and systems administrators who are seeking to pass exams in pursuit of a Microsoft Windows certification Forthcoming Books Rose Army,2002

Right here, we have countless books **Advanced Linux Networking** and collections to check out. We additionally present variant types and as well as type of the books to browse. The usual book, fiction, history, novel, scientific research, as skillfully as various supplementary sorts of books are readily straightforward here.

As this Advanced Linux Networking, it ends going on living thing one of the favored books Advanced Linux Networking collections that we have. This is why you remain in the best website to look the amazing books to have.

https://py.bijouxmedusa.com/book/virtual-library/default.aspx/for_beginners_for_creators_30_1510_freelancing_online_for_beginners_for.pdf

Table of Contents Advanced Linux Networking

1. Understanding the eBook Advanced Linux Networking
 - The Rise of Digital Reading Advanced Linux Networking
 - Advantages of eBooks Over Traditional Books
2. Identifying Advanced Linux Networking
 - Exploring Different Genres
 - Considering Fiction vs. Non-Fiction
 - Determining Your Reading Goals
3. Choosing the Right eBook Platform
 - Popular eBook Platforms
 - Features to Look for in an Advanced Linux Networking
 - User-Friendly Interface
4. Exploring eBook Recommendations from Advanced Linux Networking
 - Personalized Recommendations
 - Advanced Linux Networking User Reviews and Ratings
 - Advanced Linux Networking and Bestseller Lists
5. Accessing Advanced Linux Networking Free and Paid eBooks

- Advanced Linux Networking Public Domain eBooks
 - Advanced Linux Networking eBook Subscription Services
 - Advanced Linux Networking Budget-Friendly Options
6. Navigating Advanced Linux Networking eBook Formats
 - ePub, PDF, MOBI, and More
 - Advanced Linux Networking Compatibility with Devices
 - Advanced Linux Networking Enhanced eBook Features
 7. Enhancing Your Reading Experience
 - Adjustable Fonts and Text Sizes of Advanced Linux Networking
 - Highlighting and Note-Taking Advanced Linux Networking
 - Interactive Elements Advanced Linux Networking
 8. Staying Engaged with Advanced Linux Networking
 - Joining Online Reading Communities
 - Participating in Virtual Book Clubs
 - Following Authors and Publishers Advanced Linux Networking
 9. Balancing eBooks and Physical Books Advanced Linux Networking
 - Benefits of a Digital Library
 - Creating a Diverse Reading Collection Advanced Linux Networking
 10. Overcoming Reading Challenges
 - Dealing with Digital Eye Strain
 - Minimizing Distractions
 - Managing Screen Time
 11. Cultivating a Reading Routine Advanced Linux Networking
 - Setting Reading Goals Advanced Linux Networking
 - Carving Out Dedicated Reading Time
 12. Sourcing Reliable Information of Advanced Linux Networking
 - Fact-Checking eBook Content of Advanced Linux Networking
 - Distinguishing Credible Sources
 13. Promoting Lifelong Learning
 - Utilizing eBooks for Skill Development

- Exploring Educational eBooks
- 14. Embracing eBook Trends
 - Integration of Multimedia Elements
 - Interactive and Gamified eBooks

Advanced Linux Networking Introduction

In this digital age, the convenience of accessing information at our fingertips has become a necessity. Whether its research papers, eBooks, or user manuals, PDF files have become the preferred format for sharing and reading documents. However, the cost associated with purchasing PDF files can sometimes be a barrier for many individuals and organizations. Thankfully, there are numerous websites and platforms that allow users to download free PDF files legally. In this article, we will explore some of the best platforms to download free PDFs. One of the most popular platforms to download free PDF files is Project Gutenberg. This online library offers over 60,000 free eBooks that are in the public domain. From classic literature to historical documents, Project Gutenberg provides a wide range of PDF files that can be downloaded and enjoyed on various devices. The website is user-friendly and allows users to search for specific titles or browse through different categories. Another reliable platform for downloading Advanced Linux Networking free PDF files is Open Library. With its vast collection of over 1 million eBooks, Open Library has something for every reader. The website offers a seamless experience by providing options to borrow or download PDF files. Users simply need to create a free account to access this treasure trove of knowledge. Open Library also allows users to contribute by uploading and sharing their own PDF files, making it a collaborative platform for book enthusiasts. For those interested in academic resources, there are websites dedicated to providing free PDFs of research papers and scientific articles. One such website is Academia.edu, which allows researchers and scholars to share their work with a global audience. Users can download PDF files of research papers, theses, and dissertations covering a wide range of subjects. Academia.edu also provides a platform for discussions and networking within the academic community. When it comes to downloading Advanced Linux Networking free PDF files of magazines, brochures, and catalogs, Issuu is a popular choice. This digital publishing platform hosts a vast collection of publications from around the world. Users can search for specific titles or explore various categories and genres. Issuu offers a seamless reading experience with its user-friendly interface and allows users to download PDF files for offline reading. Apart from dedicated platforms, search engines also play a crucial role in finding free PDF files. Google, for instance, has an advanced search feature that allows users to filter results by file type. By specifying the file type as "PDF," users can find websites that offer free PDF downloads on a specific topic. While downloading Advanced Linux Networking free PDF files is convenient, its important to note that copyright laws must be respected. Always ensure that the PDF files you download are legally available

for free. Many authors and publishers voluntarily provide free PDF versions of their work, but it's essential to be cautious and verify the authenticity of the source before downloading Advanced Linux Networking. In conclusion, the internet offers numerous platforms and websites that allow users to download free PDF files legally. Whether it's classic literature, research papers, or magazines, there is something for everyone. The platforms mentioned in this article, such as Project Gutenberg, Open Library, Academia.edu, and Issuu, provide access to a vast collection of PDF files. However, users should always be cautious and verify the legality of the source before downloading Advanced Linux Networking any PDF files. With these platforms, the world of PDF downloads is just a click away.

FAQs About Advanced Linux Networking Books

How do I know which eBook platform is the best for me? Finding the best eBook platform depends on your reading preferences and device compatibility. Research different platforms, read user reviews, and explore their features before making a choice. Are free eBooks of good quality? Yes, many reputable platforms offer high-quality free eBooks, including classics and public domain works. However, make sure to verify the source to ensure the eBook's credibility. Can I read eBooks without an eReader? Absolutely! Most eBook platforms offer web-based readers or mobile apps that allow you to read eBooks on your computer, tablet, or smartphone. How do I avoid digital eye strain while reading eBooks? To prevent digital eye strain, take regular breaks, adjust the font size and background color, and ensure proper lighting while reading eBooks. What's the advantage of interactive eBooks? Interactive eBooks incorporate multimedia elements, quizzes, and activities, enhancing the reader engagement and providing a more immersive learning experience. Advanced Linux Networking is one of the best books in our library for free trial. We provide a copy of Advanced Linux Networking in digital format, so the resources that you find are reliable. There are also many eBooks related to Advanced Linux Networking. Where to download Advanced Linux Networking online for free? Are you looking for Advanced Linux Networking PDF? This is definitely going to save you time and cash in something you should think about. If you're trying to find then search around for online. Without a doubt, there are numerous of these available and many of them have the freedom. However, without a doubt, you receive whatever you purchase. An alternate way to get ideas is always to check another Advanced Linux Networking. This method for seeing exactly what may be included and adopting these ideas to your book. This site will almost certainly help you save time and effort, money and stress. If you are looking for free books then you really should consider finding to assist you try this. Several of Advanced Linux Networking are for sale to free while some are payable. If you aren't sure if the books you would like to download work with for usage along with your computer, it is possible to download free trials. The free guides make it easy for someone to have free access to an online library for downloading books to your device. You can get free download on free

trial for lots of books categories. Our library is the biggest of these that have literally hundreds of thousands of different products categories represented. You will also see that there are specific sites catered to different product types or categories, brands or niches related with Advanced Linux Networking. So depending on what exactly you are searching, you will be able to choose e books to suit your own need. Need to access completely for Campbell Biology Seventh Edition book? Access Ebook without any digging. And by having access to our ebook online or by storing it on your computer, you have convenient answers with Advanced Linux Networking To get started finding Advanced Linux Networking, you are right to find our website which has a comprehensive collection of books online. Our library is the biggest of these that have literally hundreds of thousands of different products represented. You will also see that there are specific sites catered to different categories or niches related with Advanced Linux Networking So depending on what exactly you are searching, you will be able to choose ebook to suit your own need. Thank you for reading Advanced Linux Networking. Maybe you have knowledge that, people have search numerous times for their favorite readings like this Advanced Linux Networking, but end up in harmful downloads. Rather than reading a good book with a cup of coffee in the afternoon, instead they juggled with some harmful bugs inside their laptop. Advanced Linux Networking is available in our book collection an online access to it is set as public so you can download it instantly. Our digital library spans in multiple locations, allowing you to get the most less latency time to download any of our books like this one. Merely said, Advanced Linux Networking is universally compatible with any devices to read.

Find Advanced Linux Networking :

[for beginners for creators 30-1510 freelancing online for beginners for 30-1681 real estate investing guide America 30-2621 real estate for small business 30-1237 startup funding explained United States step United States 30-2776 parenting tips step by step for creators America 30-477 passive income ideas software USA 30-2977 passive income entrepreneurs 30-2824 blockchain development checklist for small 30-2625 print on demand step by step for startups 30-874 print on demand 30-2536 sustainable living review for creators 30-1980 sustainable startups 30-499 luxury travel tutorial for startups 30-839 machine 30-1722 coding for beginners explained United States 30-1589 coding for digital marketing review for creators 30-646 digital marketing review planning examples for startups 30-738 retirement planning explained for](#)

30-2297 retirement planning roadmap for creators 30-2485 retirement interview tips trends USA 30-2300 interview tips trends for small home tech tools for startups 30-647 smart home tech trends USA 30-1290

Advanced Linux Networking :

der gefährliche see wetterextreme und unglücksfal pdf w - Jan 09 2023

web der gefährliche see wetterextreme und unglücksfal downloaded from w fronteraresources com by guest richard kendall der gefährliche see wetterextreme und unglücksfälle am bodensee springer verlag erdbeben hurrikans jahrhunderthochwasser immer wieder zeigt die natur in solchen ereignissen auch ihre

Überschwemmungen in der türkei 2021 wikipedia - Jan 29 2022

web juli im nordosten der türkei in der provinz rize am schwarzen meer löste heftiger starkregen hochwasser und erdrutsche aus 3 5 am späten mittwoch dem 14 juli 2021 wurden mehrere autos weggespült und mehrere häuser stürzten ein rettungskräfte haben nach schlammlawinen drei leichen geborgen

where to download der gefährliche see wetterextreme und unglücksfal - Feb 27 2022

web expense of der gefährliche see wetterextreme und unglücksfal and numerous ebook collections from fictions to scientific research in any way in the midst of them is this der gefährliche see wetterextreme und unglücksfal that can be your partner recognizing the pretentiousness ways to acquire this book der gefährliche see wetterextreme und

der gefährliche see wetterextreme und unglücksfälle an bodensee und - Mar 11 2023

web der gefährliche see wetterextreme und unglücksfälle an digital resources find digital datasheets resources 15d15 der gefährliche see wetterextreme und unglücksfälle tourismus sonderausstellung in konstanz zu der this der gefährliche see wetterextreme und unglücksfälle an bodensee und alpenrhein by tobias engelsing as one of the most

der gefährliche see wetterextreme und unglücksfal 2022 ftp - Sep 05 2022

web der gefährliche see wetterextreme und unglücksfal 3 3 verschaffen dazu wird zunächst die kulturgeschichte des klimawandels skizziert und zwar erstmals schwerpunktmäßig auf der grundlage populärer quellen im anschließenden empirischen teil werden die ergebnisse eines eigens entworfenen fragebogens präsentiert der sehr

der gefährliche see wetterextreme und unglücksfälle an bodensee und - Aug 16 2023

web der gefährliche see wetterextreme und unglücksfälle an bodensee und alpenrhein mit zahlreichen fotografien engelsing tobias isbn 9783878001232 kostenloser versand für alle bücher mit versand und verkauf duch amazon

karatschai see im ural der tödlichste see der welt - Dec 28 2021

web dec 1 2020 was sich zunächst völlig absurd anhört ist in der russischen stadt osjorsk tatsächlich traurige realität denn

hier liegt der karatschai see das tödlichste gewässer der welt der grund für die gefahr um den karatschai see er ist stark verstrahlt denn ab 1948 wurden hier radioaktive abfälle des lange geheimen kraftwerks majak

der gefährliche see wetterextreme und unglücksfälle an bodensee und - Jul 03 2022

web 15d15 der gefahrliche see wetterextreme und unglucksfalle der gefährliche see wetterextreme und unglücksfälle an tourismus sonderausstellung in konstanz zu der digital resources find digital datasheets resources Über den autor und weitere mitwirkende tobias engelsing dr phil studium der geschichte rechtswissenschaft und politik an

der gefährliche see wetterextreme und unglücksfälle an bodensee und - Oct 06 2022

web aug 29 2023 sammlern und gemeinden des bodenseeraums sowie des rheintals 15d15 der gefahrliche see wetterextreme und unglucksfalle may 7th 2020 free download der gefahrliche see wetterextreme und unglucksfalle an bodensee und alpenrhein free download der gefahrliche

der gefährliche see wetterextreme und unglücksfälle an bodensee und - Apr 12 2023

web jun 11 2023 der gefahrliche see wetterextreme und unglücksfälle an bodensee und alpenrhein by tobias engelsing or get it as soon as achievable so once you demand the books quickly you can straight get it

der gefährliche see wetterextreme und unglücksfälle an bodensee und - Jul 15 2023

web der bodensee ist längst nicht nur idylle Über jahrhunderte trat er über die ufer in seinen stürmen sank so manches schiff auch seenebel und die sogenannten seegrörnen forderten ihre opfer reich bebildert zitatreich ausgestaltet und kurzweilig im ton erzählt der band von unglücksfällen und wetterextremen am bodensee

der gefahrliche see wetterextreme und unglucksfal download - Aug 04 2022

web strategien klimaschutz und klimaanpassung zur entwicklung gesamträumlicher konzepte am beispiel der metropolregion rhein neckar stress und burnout propagandaschlacht ums klima telepolis friedens und konfliktforschung der gefahrliche see wetterextreme und unglucksfal downloaded from rc spectrallabs com by guest branson yamilet

der gefÄhrliche see wetterextreme und unglücksfäl - Dec 08 2022

web der gefahrliche see wetterextreme und unglücksfäl buch zustand sehr gut 1 von 1 kostenloser versand siehe mehr [der gefahrliche see wetterextreme und unglucksfalle an bodensee und](#) - May 13 2023

web der gefahrliche see wetterextreme und unglucksfalle an bodensee und alpenrhein german amazon sg books [der gefahrliche see wetterextreme und unglucksfal](#) - Jun 02 2022

web der gefahrliche see wetterextreme und unglucksfal resilienz von haushalten gegenüber extremen ereignissen 21 0 unsichere zeiten eco anxiety die angst vor dem klimawandel countdown herausforderungen der wirtschaftspolitik geo kompakt 63 2020 richtig streiten stress und burnout

der gefahrliche see wetterextreme und unglucksfal - May 01 2022

web 2 der gefährliche see wetterextreme und unglücksfal 2019 10 04 der gefährliche see wetterextreme und unglücksfal 2019 10 04 bishop tyrese Ölbeben dpunkt verlag das geheime leben des meeres erstaunliches passiert unter wasser das meer leuchtet nachts geheimnisvoll kleinste organismen das plankton haben die größte macht und

der gefährliche see wetterextreme und unglücksfälle an bodensee und - Jun 14 2023

web jun 10 2023 der gefährliche see wetterextreme und unglücksfälle an bodensee und alpenrhein by tobias engelsing diesen sommer wurde in der deutschen grenzstadt konstanz die

der gefährliche see wetterextreme und unglücksfäl buch - Feb 10 2023

web der gefährliche see wetterextreme und unglücksfäl buch zustand sehr gut eur 22 41 zu verkaufen gebundene ausgabe herausgeber publisher aktuell gibt es keine wesentlichen beschränkungen für 374567104019

der gefährliche see wetterextreme und unglücksfal 2022 - Mar 31 2022

web der gefährliche see wetterextreme und unglücksfal 5 5 fast zu unserem alltag und verursachen massive zerstörungen können wir den klimawandel überhaupt noch aufhalten tatsächlich gibt es noch hoffnungsschimmer dass wir das 1 5 grad ziel erreichen werden und selbst die politik scheint den ernst der lage erkannt zu haben

der gefährliche see wetterextreme und unglücksfal pdf - Nov 07 2022

web der gefährliche see wetterextreme und unglücksfal pdf download only support ortax org created date 9 6 2023 5 40 29 pm

plains indians regalia and customs 2nd ed hardcover - Jun 01 2022

web plains indians regalia and customs 2nd ed bad hand amazon com be boeken ga naar primaire content com be wordt bezorgd aan brussels 1050 meld je aan om je locatie bij te werken boeken selecteer de afdeling waarin

plains indians regalia and customs 2nd ed amazon com - Aug 15 2023

web jun 28 2019 plains indians regalia and customs 2nd ed hardcover illustrated june 28 2019 this original study of plains indian cultures of the 19th century is presented through the use of period writings paintings and early photography that relate how life

plainsindiansregaliaandcustoms2nded dev sfcg - Jan 28 2022

web this second edition keeps pace with legal developments in policy federal law and court decisions while it continues to fill a unique niche as a primary and secondary text for courses in the field

plains indians regalia and customs 2nd ed schifferbooks - Jun 13 2023

web plains indians regalia and customs 2nd ed plains indians regalia and customs 2nd ed now available this original study of plains indian cultures of the 19th century is presented through the use of period writings paintings and early photography that relate how life was carried out

plains indians regalia and customs 2nd ed pdf - Dec 07 2022

web plains indians regalia and customs 2nd ed pdf whispering the techniques of language an emotional quest through plains indians regalia and customs 2nd ed pdf in a digitally driven world wherever monitors reign great

plains indians regalia and customs 2nd ed by bad hand - Mar 30 2022

web find many great new used options and get the best deals for plains indians regalia and customs 2nd ed by bad hand hardcover at the best online prices at ebay free shipping for many products

plains indians regalia and customs 2nd ed alibris - Aug 03 2022

web buy plains indians regalia and customs 2nd ed by bad hand online at alibris we have new and used copies available in 1 editions starting at 37 49 shop now

ceremonial regalia of the native american plains indian - Dec 27 2021

web ceremonial spiritual items of the native american indian plains indian plateau basin woodlands southwest prairies ceremonial regalia regalia of the north american indian drums pipes

plains indians regalia and customs 2nd ed hardcover - Jul 02 2022

web abebooks com plains indians regalia and customs 2nd ed 9780764357619 by bad hand and a great selection of similar new used and collectible books available now at great prices

plains indians regalia customs amazon com - May 12 2023

web aug 28 2010 plains indians regalia customs hardcover august 28 2010 by bad hand author 4 9 24 ratings see all formats and editions hardcover 48 50 other new and used from 48 49

plains indians regalia and customs 2nd edition hardcover - Feb 26 2022

web plains indians regalia and customs 2nd edition hand bad amazon sg books skip to main content sg hello select your address all search amazon sg en hello sign in account lists returns orders cart all best sellers

plains indians regalia and customs second edition - Feb 09 2023

web jul 1 2019 synopsis now in a fully updated and significantly expanded second edition plains indians regalia and customs is an original study of plains indian cultures of the 19th century that is presented through the use of period writings paintings and early photography that relate how life was carried out

plains indians regalia and customs 2nd ed bad hand - Mar 10 2023

web plains indians regalia and customs 2nd ed bad hand amazon com tr Çerez tercihlerinizi seçin alışveriş deneyiminizi geliştirmek hizmetlerimizi sunmak müşterilerin hizmetlerimizi nasıl kullandığını anlayarak iyileştirmeler yapabilmek ve tanıtımları gösterebilmek için çerezler ve benzeri araçları kullanmaktayız

plains indians regalia and customs 2nd edition onbuy - Apr 30 2022

web this original study of plains indian cultures of the 19th century is presented through the use of period writings paintings and early photography

plains indians regalia and customs 2nd edition hardcover - Jan 08 2023

web amazon in buy plains indians regalia and customs 2nd edition book online at best prices in india on amazon in read plains indians regalia and customs 2nd edition book reviews author details and more at amazon in free delivery on qualified orders

plains indians regalia and customs 2nd ed hardcover - Sep 04 2022

web jun 28 2019 this second edition contains new color photos and text adding to the richness and depth of detail in the well received original through original photos and re creations rare primary sources and updated content bad hand provides an invaluable resource not only on plains indians but on bringing past peoples to full colorful life

plains indians regalia and customs 2nd ed goodreads - Oct 05 2022

web jun 28 2019 observations of plains indian men s and women s experiences include procuring food dancing developing spiritual beliefs and day to day living this second edition contains new color photos and text adding to the richness and depth of detail in the well received original

2nd brownsbfs co uk - Apr 11 2023

web this second edition contains new color photos and text adding to the richness and depth of detail in the well received original through original photos and re creations rare primary sources and updated content bad hand provides an invaluable resource not only on plains indians but on bringing past peoples to full colorful life

plains indians regalia and customs 2nd ed by bad hand - Nov 06 2022

web plains indians regalia and customs 2nd ed product 142264 regular price 49 99 save 49 99 this original study of plains indian cultures of the 19th century is presented through the use of period writings paintings and early photography that tug do nlnetlabs nl 3

plains indians regalia and customs 2nd ed hardcover - Jul 14 2023

web may 28 2019 plains indians regalia and customs 2nd ed hardcover illustrated 28 may 2019 this original study of plains indian cultures of the 19th century is presented through the use of period writings paintings and early photography that relate how life

qoqo facebook - Dec 17 2021

moqoqo ppt slideshare - Oct 07 2023

web nov 8 2013 41 41 42 43 45 45 47 49 49 1 sepheo ka buka ena tokomane ena e reretswe ho tataisa matitjhere le bana

mabapi le ditema tse ngolwang tsa karolo ya ho

sesotho grade 10 12 yumpu - Feb 28 2023

web 2 sesotho puo ya lapeng p3 pudungwana 2013 karolo ya a moqoqo bokgoni 1 ho bala le ho boha 2 ho ngola le ho nehelana potso ya 1 1 1 ho

what does soqosoqo mean definitions net - Jan 18 2022

web 1 7 2 setshwantsho moqoqo wa mofuta ofe kapa ofe x moqoqong ona mohlalobuwa o boha setshwantsho mme a hlalose kapa a phete ka seo a se bonang ka tsela e

dikobo tsa sesotho sadilar - Jan 30 2023

web 1 lenane la dibuka le ngotswe hore le matahane le caps setatemente sa naha sa leano la kharikhulamo le tekanyetso sheba leqephe la1ho bona hore na ditlhoko tsa caps

sesotho puo ya lapeng puo ya tlatsetso ya pele puo ya - Sep 06 2023

web may 12 2021 sesotho gr 12 moqoqo fsdoe fs ibp online 11052021 live chat replay is not available for this video

sesotho gr 07 moqoqo phetelo fsdoe fs ibp online - Aug 25 2022

web tlatlamatjholo re tadime ka mohau wa hao yaba sa mmokotsane sello seboko se haulang modimo rapela wa kgale modimo o batle toka tlhekefetso ha re o hloke ba qhadile

kereite ya 11 pudungwana 2020 sesotho puo ya - May 02 2023

web apr 25 2014 moqoqo oo a o ngolang e ka ba o welang mofuteng ofe kapa ofe oo yena a ikgethelang br wona bolelele ba moqoqo oo a lokelang ho o hlahisa e ntse e le bo

kereite ya 11 pudungwana 2020 sesotho puo ya - Jun 03 2023

web bukanatataiso ena e ngoletswe moithuti ya ithutang sesotho wa kereiti ya 12 moithuti o tshwanela ho bala bukanatataiso ena ka moqoqo wa kgang ngangisano moqoqo o

kereiti ya 11 pudungwana 2013 dbe cloud - Dec 29 2022

web moqoqo wa molomo ka pale seratswana friday activity 4 group guided reading groups worksheet 5 friday activity 5 end of week review week 6 day caps content

moqoqo oa phetelo oa sekolo se phahameng current school - Feb 16 2022

web sa moqoqo sena se bolela hore nehelano e lokela ho ralwa ka tsela ya hore ho be le selelekela mmele o bopilweng ka diratswana le qetelo moqoqo o tlameha ho hlahiswa

kereite ya 11 pudungwana 2020 sesotho puo ya - Nov 15 2021

tekolobotjha ya moralo wa ho ruta 2021 2023 - Apr 20 2022

web definition of soqosoqo in the definitions net dictionary meaning of soqosoqo what does soqosoqo mean information and translations of soqosoqo in the most comprehensive

[tthekefetso fundza](#) - May 22 2022

web feb 3 2022 moqoqo o phetang ke e ngoe ea lihlooho feela moo u ka iphumanang u le mong me u phete pale bona mehlala ea ka ea moqoqo tlalehong ena ho ithuta ho

sesotho puo ya lapeng hl yumpu - Mar 20 2022

web qoqo is on facebook join facebook to connect with qoqo and others you may know facebook gives people the power to share and makes the world more open

[moqoqo wa sesotho ka sesotho durban facebook](#) - Nov 27 2022

web sesotho gr 07 moqoqo phetelo fsdoe fs ibp online 26022021 live chat replay is not available for this video

[selelekela cambridge university press assessment](#) - Apr 01 2023

web dikobo tsena ditswetse basotho molemo ho latela ka moo serame sa lesotho se kenellang masapong ka teng ha ho bata leha ho le jwalo basotho ba ne ba rata dikobo tsa bona

kereiti 10 ya lapeng via afrika - Oct 27 2022

web lefu la coronavirus covid 19 ke lefu le tšoaetsanoang ha motho ea tšoaeltsong ke coronavirus severe acute respiratory syndrome coronavirus 2 a tšoaetsa batho ba

malebela a ho ngola moqoqo o monate oa phetelo current - Aug 05 2023

web ha bolele ba moqoqo bo le ka tlase ho palo ya mantswe e behilweng kgutshwane se behe kotlo hobane mohlahlobuwa o se a ntse a ipehile ka mosing haeba moqoqo o le

[rata batho o ba etse barutuwa jw org](#) - Jun 22 2022

web jun 15 2014 kgetha sehlooho se le seng mme o ngole moqoqo wa bolelele ba mantswe a 400 ho br isa ho a 450 hopola ho etsa moralo mme o be o boele o lekole

[home language sesotho tracker programme of](#) - Sep 25 2022

web kgetha puo sesotho south africa kena opens new window batla leqephe le qalang bukana ena e tla o thusa hore o be le makgabane ao o a hlokang hore o

[sesotho gr 12 moqoqo fsdoe fs ibp online 11052021](#) - Jul 04 2023

web 1 7 2 setshwantsho moqoqo wa mofuta ofe kapa ofe moqoqong ona mohlahlobuwa o boha setshwantsho mme a hlalose kapa a phete ka seo a se bonang ka tsela e

kereite ya 11 pudungwana 2020 sesotho puo ya - Oct 15 2021

lefu la coronavirus wikipedia - Jul 24 2022

web ngola moqoqo phetelo tthaloso moqoqo o sa tshehetseng lehlakore kgetho ya mantswe lentswe la motho le setaele tthaloso e nepahetseng sehalo mehopolo