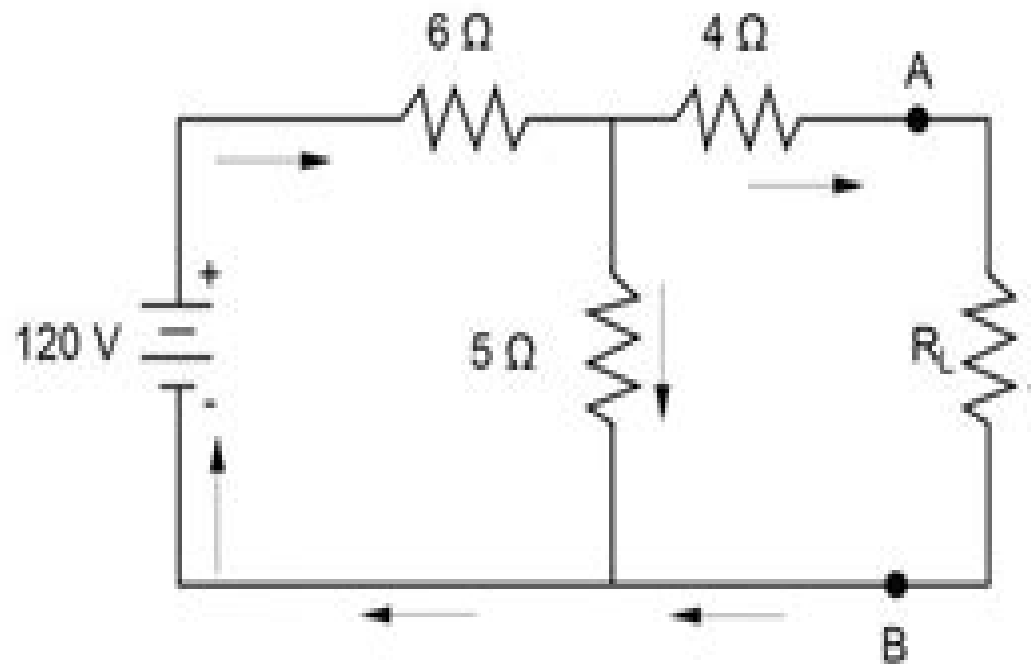


Find the Thevenin equivalent voltage and resistance for the following circuit. The load resistance is shown as R_L .



(a) $V_{TH} = 45.5 \text{ V}; R_{TH} = 6.7 \Omega$

(b) $V_{TH} = 54.5 \text{ V}; R_{TH} = 6.7 \Omega$

(c) $V_{TH} = 45.4 \text{ V}; R_{TH} = 9 \Omega$

(d) $V_{TH} = 54.5 \text{ V}; R_{TH} = 9 \Omega$

Circuit Analysis Practice Exam

Michael Brown



Circuit Analysis Practice Exam:

Fuel your quest for knowledge with is thought-provoking masterpiece, Explore **Circuit Analysis Practice Exam** . This educational ebook, conveniently sized in PDF (Download in PDF: *), is a gateway to personal growth and intellectual stimulation. Immerse yourself in the enriching content curated to cater to every eager mind. Download now and embark on a learning journey that promises to expand your horizons. .

https://py.bijouxmedusa.com/results/detail/HomePages/Advanced_French_Grammar_The_Library_Of_Congress.pdf

Table of Contents Circuit Analysis Practice Exam

1. Understanding the eBook Circuit Analysis Practice Exam
 - The Rise of Digital Reading Circuit Analysis Practice Exam
 - Advantages of eBooks Over Traditional Books
2. Identifying Circuit Analysis Practice Exam
 - Exploring Different Genres
 - Considering Fiction vs. Non-Fiction
 - Determining Your Reading Goals
3. Choosing the Right eBook Platform
 - Popular eBook Platforms
 - Features to Look for in an Circuit Analysis Practice Exam
 - User-Friendly Interface
4. Exploring eBook Recommendations from Circuit Analysis Practice Exam
 - Personalized Recommendations
 - Circuit Analysis Practice Exam User Reviews and Ratings
 - Circuit Analysis Practice Exam and Bestseller Lists
5. Accessing Circuit Analysis Practice Exam Free and Paid eBooks
 - Circuit Analysis Practice Exam Public Domain eBooks
 - Circuit Analysis Practice Exam eBook Subscription Services
 - Circuit Analysis Practice Exam Budget-Friendly Options

6. Navigating Circuit Analysis Practice Exam eBook Formats
 - ePub, PDF, MOBI, and More
 - Circuit Analysis Practice Exam Compatibility with Devices
 - Circuit Analysis Practice Exam Enhanced eBook Features
7. Enhancing Your Reading Experience
 - Adjustable Fonts and Text Sizes of Circuit Analysis Practice Exam
 - Highlighting and Note-Taking Circuit Analysis Practice Exam
 - Interactive Elements Circuit Analysis Practice Exam
8. Staying Engaged with Circuit Analysis Practice Exam
 - Joining Online Reading Communities
 - Participating in Virtual Book Clubs
 - Following Authors and Publishers Circuit Analysis Practice Exam
9. Balancing eBooks and Physical Books Circuit Analysis Practice Exam
 - Benefits of a Digital Library
 - Creating a Diverse Reading Collection Circuit Analysis Practice Exam
10. Overcoming Reading Challenges
 - Dealing with Digital Eye Strain
 - Minimizing Distractions
 - Managing Screen Time
11. Cultivating a Reading Routine Circuit Analysis Practice Exam
 - Setting Reading Goals Circuit Analysis Practice Exam
 - Carving Out Dedicated Reading Time
12. Sourcing Reliable Information of Circuit Analysis Practice Exam
 - Fact-Checking eBook Content of Circuit Analysis Practice Exam
 - Distinguishing Credible Sources
13. Promoting Lifelong Learning
 - Utilizing eBooks for Skill Development
 - Exploring Educational eBooks
14. Embracing eBook Trends
 - Integration of Multimedia Elements

-
- Interactive and Gamified eBooks

Circuit Analysis Practice Exam Introduction

In this digital age, the convenience of accessing information at our fingertips has become a necessity. Whether its research papers, eBooks, or user manuals, PDF files have become the preferred format for sharing and reading documents. However, the cost associated with purchasing PDF files can sometimes be a barrier for many individuals and organizations. Thankfully, there are numerous websites and platforms that allow users to download free PDF files legally. In this article, we will explore some of the best platforms to download free PDFs. One of the most popular platforms to download free PDF files is Project Gutenberg. This online library offers over 60,000 free eBooks that are in the public domain. From classic literature to historical documents, Project Gutenberg provides a wide range of PDF files that can be downloaded and enjoyed on various devices. The website is user-friendly and allows users to search for specific titles or browse through different categories. Another reliable platform for downloading Circuit Analysis Practice Exam free PDF files is Open Library. With its vast collection of over 1 million eBooks, Open Library has something for every reader. The website offers a seamless experience by providing options to borrow or download PDF files. Users simply need to create a free account to access this treasure trove of knowledge. Open Library also allows users to contribute by uploading and sharing their own PDF files, making it a collaborative platform for book enthusiasts. For those interested in academic resources, there are websites dedicated to providing free PDFs of research papers and scientific articles. One such website is Academia.edu, which allows researchers and scholars to share their work with a global audience. Users can download PDF files of research papers, theses, and dissertations covering a wide range of subjects. Academia.edu also provides a platform for discussions and networking within the academic community. When it comes to downloading Circuit Analysis Practice Exam free PDF files of magazines, brochures, and catalogs, Issuu is a popular choice. This digital publishing platform hosts a vast collection of publications from around the world. Users can search for specific titles or explore various categories and genres. Issuu offers a seamless reading experience with its user-friendly interface and allows users to download PDF files for offline reading. Apart from dedicated platforms, search engines also play a crucial role in finding free PDF files. Google, for instance, has an advanced search feature that allows users to filter results by file type. By specifying the file type as "PDF," users can find websites that offer free PDF downloads on a specific topic. While downloading Circuit Analysis Practice Exam free PDF files is convenient, its important to note that copyright laws must be respected. Always ensure that the PDF files you download are legally available for free. Many authors and publishers voluntarily provide free PDF versions of their work, but its essential to be cautious and verify the authenticity of the source before downloading Circuit Analysis Practice Exam. In conclusion, the internet offers numerous platforms and websites that allow users to download free PDF files legally. Whether its classic

literature, research papers, or magazines, there is something for everyone. The platforms mentioned in this article, such as Project Gutenberg, Open Library, Academia.edu, and Issuu, provide access to a vast collection of PDF files. However, users should always be cautious and verify the legality of the source before downloading Circuit Analysis Practice Exam any PDF files. With these platforms, the world of PDF downloads is just a click away.

FAQs About Circuit Analysis Practice Exam Books

What is a Circuit Analysis Practice Exam PDF? A PDF (Portable Document Format) is a file format developed by Adobe that preserves the layout and formatting of a document, regardless of the software, hardware, or operating system used to view or print it. **How do I create a Circuit Analysis Practice Exam PDF?** There are several ways to create a PDF: Use software like Adobe Acrobat, Microsoft Word, or Google Docs, which often have built-in PDF creation tools. Print to PDF: Many applications and operating systems have a "Print to PDF" option that allows you to save a document as a PDF file instead of printing it on paper. Online converters: There are various online tools that can convert different file types to PDF. **How do I edit a Circuit Analysis Practice Exam PDF?** Editing a PDF can be done with software like Adobe Acrobat, which allows direct editing of text, images, and other elements within the PDF. Some free tools, like PDFescape or Smallpdf, also offer basic editing capabilities. **How do I convert a Circuit Analysis Practice Exam PDF to another file format?** There are multiple ways to convert a PDF to another format: Use online converters like Smallpdf, Zamzar, or Adobe Acrobats export feature to convert PDFs to formats like Word, Excel, JPEG, etc. Software like Adobe Acrobat, Microsoft Word, or other PDF editors may have options to export or save PDFs in different formats. **How do I password-protect a Circuit Analysis Practice Exam PDF?** Most PDF editing software allows you to add password protection. In Adobe Acrobat, for instance, you can go to "File" -> "Properties" -> "Security" to set a password to restrict access or editing capabilities. Are there any free alternatives to Adobe Acrobat for working with PDFs? Yes, there are many free alternatives for working with PDFs, such as: LibreOffice: Offers PDF editing features. PDFsam: Allows splitting, merging, and editing PDFs. Foxit Reader: Provides basic PDF viewing and editing capabilities. How do I compress a PDF file? You can use online tools like Smallpdf, ILovePDF, or desktop software like Adobe Acrobat to compress PDF files without significant quality loss. Compression reduces the file size, making it easier to share and download. Can I fill out forms in a PDF file? Yes, most PDF viewers/editors like Adobe Acrobat, Preview (on Mac), or various online tools allow you to fill out forms in PDF files by selecting text fields and entering information. Are there any restrictions when working with PDFs? Some PDFs might have restrictions set by their creator, such as password protection, editing restrictions, or print restrictions. Breaking these restrictions might require specific software or tools, which may or may not be legal depending on the circumstances and local laws.

Find Circuit Analysis Practice Exam :

advanced french grammar the library of congress

access to health 15th edition rebecca j donatelle

acceptance and mindfulness based approaches to anxiety conceptualization and treatment series in anxiety and related disorders

activity on ionic bonding with answers

acting for animators

advanced tutorial for creo parametric pdfsdocuments2

ablls r the assessment of basic language and learning skills revised the ablls r combination set

accounting 1 7th edition pearson answer key

ad hoc query report

active portfolio management a quantitative approach for producing superior returns and selecting superior returns

accounting test question with answers on accounting

accent english sounds of american speech for greek speakers

advanced java game programming 1st edition

abb relay testing handbook

advanced electronic communications systems 6th edition

Circuit Analysis Practice Exam :

Career Theory and Practice Learning Through Case Studies Career Theory and Practice: Learning Through Case Studies illustrates the process, theories, and application of career development counseling through a series ... Career Theory and Practice: Learning Through Case Studies Designed to help readers apply career development theories to their work with career counseling clients, Career Theory and Practice: Learning Through Case ... Career Theory and Practice: Learning Through Case Studies Career Theory and Practice: Learning Through Case Studies illustrates the process, theories, and application of career development counseling through a series ... Career Theory and Practice: Learning Through Case Studies Career Theory and Practice: Learning Through Case Studies illustrates the process, theories, and application of career development counseling through a series ... Career theory and practice : learning through case studies "Designed to help readers apply career development theories to their work with career counseling clients, Career Theory and Practice:

Learning Through Case ... Learning through case studies 4th edition : r/textbook_piracy [Request] Career theory and practice: Learning through case studies 4th edition. 14 comments sorted by Best. Career Theory and Practice: Learning through Case Studies The authors of this book demonstrate with case examples how to apply career development theories to career counselling practice. Career Theory and Practice 4th edition 9781544333663 Career Theory and Practice: Learning Through Case Studies 4th Edition is written by Jane L. Swanson; Nadya A. Fouad and published by SAGE Publications, ... Career Theory and Practice: Learning Through Case ... Career Theory and Practice: Learning Through Case Studies by Swanson, Jane L.; Fouad, Nadya - ISBN 10: 1412937515 - ISBN 13: 9781412937511 - SAGE ... Career Theory and Practice: Learning Through Case Studies Career Theory and Learning Through Case Studies illustrates the process, theories, and application of career development counseling through a series of rich ... Highest Duty: My Search for What Really Matters This book is mainly about Captain Sullenberger's life. It is a personal account of his life. The book obviously talks about flight 1549 and how it affected him. Highest Duty Highest Duty: My Search for What Really Matters is a 2009 memoir written by Chesley Sullenberger and Jeffrey Zaslow (1958–2012) describing the events of US ... Highest Duty: My Search for What Really Matters This book is mainly about Captain Sullenberger's life. It is a personal account of his life. The book obviously talks about flight 1549 and how it affected him. Sully Quotes by Chesley B. Sullenberger 27 quotes from Sully: My Search for What Really Matters: 'We all have heard about ordinary people who find themselves in extraordinary situations. They a... Highest Duty: My Search for What Really Matters Highest Duty: My Search for What Really Matters by Chesley B. Sullenberger III, Jeffrey Zaslow, Paperback | Barnes & Noble® Offer ends 12/31. Quotes by Chesley B. Sullenberger (Author of Sully) It means looking beyond the safety of the familiar. Chesley B. Sullenberger, Highest Duty: My Search for What Really Matters · Like · likes: 1. Before ... Highest Duty: My Search for What Really Matters [Hardcover] The book, Highest Duty: My Search for What Really Matters [Bulk, Wholesale, Quantity] ISBN# 9780061924682 in Hardcover by Sullenberger, Chesley B.;Zaslow, ... Highest Duty Highest Duty. My Search for What Really Matters. By Captain Chesley B. Sullenberger, III, Jeffrey Zaslow,. On Sale: May 11, 2010. Highest Duty. Listen to an ... Sully: My Search for What Really Matters - Everand Highest Duty: My Search for What Really Matters. Ebook. Highest Duty: My Search for What Really Matters. byCaptain Chesley B. Sullenberger, III. Highest Duty: My Search for What Really Matters The book, Highest Duty: My Search for What Really Matters [Bulk, Wholesale, Quantity] ISBN# 9780061924699 in Paperback by Sullenberger, Chesley B.;Zaslow, ... Liberty Tax School Flashcards Study with Quizlet and memorize flashcards containing terms like 28% rate gain, 401(k) Plan, Abstract fees and more. 21.Final Exam 2009 - Liberty Tax Service Online Basic... View Test prep - 21.Final Exam 2009 from ACCOUNTING 401 at Liberty University. Liberty Tax Service Online Basic Income Tax Course. FINAL 1 Chapter 19 ... Tax Preparer Final Exam Review Flashcards Final Exam Review Learn with flashcards, games, and more — for free. Basic Income Tax Course Final Exam Basic Income Tax Course Exam. Answer Key. Question Answer Page Ref. Question Answer Page Ref.

Question Answer Page Ref. 1. D. 1.19. 51. B. 3.6. 101. D. 8.1. 2. Tax Preparation School - Courses and Classes Liberty Tax Service's tuition-free tax school offers income tax preparation courses and classes locally and virtually. Learn to prepare and file taxes ... Liberty Tax Service's Tax Preparer Certification Test - ... View Notes - 7 from ACC 325 at CUNY College of Staten Island. Liberty Tax Service's Tax Preparer Certification Test - Level 1 This section will focus on ... Federal Income Taxes Final Exam Test and improve your knowledge of Federal Income Taxes with fun multiple choice exams you can take online with Study.com. After taking the Liberty Tax Rapid Course, will I be ... Dec 13, 2016 — Find 26 answers to 'After taking the Liberty Tax Rapid Course, will I be obligated to continue to work for them after the first season or ... Module 1 Final Exam - Part Imannys answers Module 1 Final Exam - Part Imannys answers. Course: Comprehensive Tax course (2022FM1) ... income tax withheld, they should write “Exempt” in the space below step ... Liberty Tax Service Online Basic Income Tax Course. ... Mar 21, 2014 — Liberty Tax Service Online Basic Income Tax Course. Lesson 6 . HOMEWORK CHAPTER 5. HOMEWORK 1: Henry H. (SSN 288-40-1920, born 3/18/1967) ...