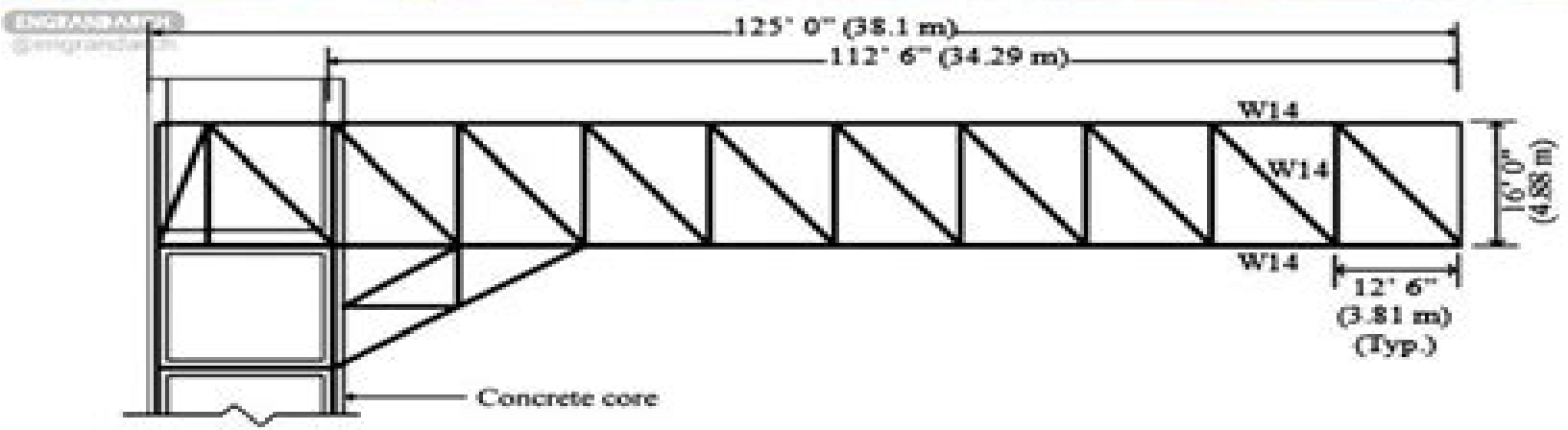


The above diagram shows a basic cantilever and the forces acting upon it.



Cantilever Design Example Pdfslibforyou

Karin Nielsen-Saines

A decorative graphic element consisting of a semi-circular shape with a red-to-white gradient, positioned to the right of the author's name.

Cantilever Design Example Pdfslibforyou:

Discover tales of courage and bravery in its empowering ebook, **Cantilever Design Example Pdfslibforyou** . In a downloadable PDF format (Download in PDF: *), this collection inspires and motivates. Download now to witness the indomitable spirit of those who dared to be brave.

<https://py.bijouxmedusa.com/data/book-search/default.aspx/3%201075%20Coding%20For%20Beginners%20Software%20For%20Creators%2023%202342%20Coding%20For.pdf>

Table of Contents Cantilever Design Example Pdfslibforyou

1. Understanding the eBook Cantilever Design Example Pdfslibforyou
 - The Rise of Digital Reading Cantilever Design Example Pdfslibforyou
 - Advantages of eBooks Over Traditional Books
2. Identifying Cantilever Design Example Pdfslibforyou
 - Exploring Different Genres
 - Considering Fiction vs. Non-Fiction
 - Determining Your Reading Goals
3. Choosing the Right eBook Platform
 - Popular eBook Platforms
 - Features to Look for in an Cantilever Design Example Pdfslibforyou
 - User-Friendly Interface
4. Exploring eBook Recommendations from Cantilever Design Example Pdfslibforyou
 - Personalized Recommendations
 - Cantilever Design Example Pdfslibforyou User Reviews and Ratings
 - Cantilever Design Example Pdfslibforyou and Bestseller Lists
5. Accessing Cantilever Design Example Pdfslibforyou Free and Paid eBooks
 - Cantilever Design Example Pdfslibforyou Public Domain eBooks
 - Cantilever Design Example Pdfslibforyou eBook Subscription Services
 - Cantilever Design Example Pdfslibforyou Budget-Friendly Options

6. Navigating Cantilever Design Example Pdfslibforyou eBook Formats
 - ePub, PDF, MOBI, and More
 - Cantilever Design Example Pdfslibforyou Compatibility with Devices
 - Cantilever Design Example Pdfslibforyou Enhanced eBook Features
7. Enhancing Your Reading Experience
 - Adjustable Fonts and Text Sizes of Cantilever Design Example Pdfslibforyou
 - Highlighting and Note-Taking Cantilever Design Example Pdfslibforyou
 - Interactive Elements Cantilever Design Example Pdfslibforyou
8. Staying Engaged with Cantilever Design Example Pdfslibforyou
 - Joining Online Reading Communities
 - Participating in Virtual Book Clubs
 - Following Authors and Publishers Cantilever Design Example Pdfslibforyou
9. Balancing eBooks and Physical Books Cantilever Design Example Pdfslibforyou
 - Benefits of a Digital Library
 - Creating a Diverse Reading Collection Cantilever Design Example Pdfslibforyou
10. Overcoming Reading Challenges
 - Dealing with Digital Eye Strain
 - Minimizing Distractions
 - Managing Screen Time
11. Cultivating a Reading Routine Cantilever Design Example Pdfslibforyou
 - Setting Reading Goals Cantilever Design Example Pdfslibforyou
 - Carving Out Dedicated Reading Time
12. Sourcing Reliable Information of Cantilever Design Example Pdfslibforyou
 - Fact-Checking eBook Content of Cantilever Design Example Pdfslibforyou
 - Distinguishing Credible Sources
13. Promoting Lifelong Learning
 - Utilizing eBooks for Skill Development
 - Exploring Educational eBooks
14. Embracing eBook Trends
 - Integration of Multimedia Elements

- Interactive and Gamified eBooks

Cantilever Design Example Pdfslibforyou Introduction

Cantilever Design Example Pdfslibforyou Offers over 60,000 free eBooks, including many classics that are in the public domain. Open Library: Provides access to over 1 million free eBooks, including classic literature and contemporary works. Cantilever Design Example Pdfslibforyou Offers a vast collection of books, some of which are available for free as PDF downloads, particularly older books in the public domain. Cantilever Design Example Pdfslibforyou : This website hosts a vast collection of scientific articles, books, and textbooks. While it operates in a legal gray area due to copyright issues, its a popular resource for finding various publications. Internet Archive for Cantilever Design Example Pdfslibforyou : Has an extensive collection of digital content, including books, articles, videos, and more. It has a massive library of free downloadable books. Free-eBooks Cantilever Design Example Pdfslibforyou Offers a diverse range of free eBooks across various genres. Cantilever Design Example Pdfslibforyou Focuses mainly on educational books, textbooks, and business books. It offers free PDF downloads for educational purposes. Cantilever Design Example Pdfslibforyou Provides a large selection of free eBooks in different genres, which are available for download in various formats, including PDF. Finding specific Cantilever Design Example Pdfslibforyou, especially related to Cantilever Design Example Pdfslibforyou, might be challenging as theyre often artistic creations rather than practical blueprints. However, you can explore the following steps to search for or create your own Online Searches: Look for websites, forums, or blogs dedicated to Cantilever Design Example Pdfslibforyou, Sometimes enthusiasts share their designs or concepts in PDF format. Books and Magazines Some Cantilever Design Example Pdfslibforyou books or magazines might include. Look for these in online stores or libraries. Remember that while Cantilever Design Example Pdfslibforyou, sharing copyrighted material without permission is not legal. Always ensure youre either creating your own or obtaining them from legitimate sources that allow sharing and downloading. Library Check if your local library offers eBook lending services. Many libraries have digital catalogs where you can borrow Cantilever Design Example Pdfslibforyou eBooks for free, including popular titles. Online Retailers: Websites like Amazon, Google Books, or Apple Books often sell eBooks. Sometimes, authors or publishers offer promotions or free periods for certain books. Authors Website Occasionally, authors provide excerpts or short stories for free on their websites. While this might not be the Cantilever Design Example Pdfslibforyou full book , it can give you a taste of the authors writing style. Subscription Services Platforms like Kindle Unlimited or Scribd offer subscription-based access to a wide range of Cantilever Design Example Pdfslibforyou eBooks, including some popular titles.

FAQs About Cantilever Design Example Pdfslibforyou Books

1. Where can I buy Cantilever Design Example Pdfslibforyou books? Bookstores: Physical bookstores like Barnes & Noble, Waterstones, and independent local stores. Online Retailers: Amazon, Book Depository, and various online bookstores offer a wide range of books in physical and digital formats.
2. What are the different book formats available? Hardcover: Sturdy and durable, usually more expensive. Paperback: Cheaper, lighter, and more portable than hardcovers. E-books: Digital books available for e-readers like Kindle or software like Apple Books, Kindle, and Google Play Books.
3. How do I choose a Cantilever Design Example Pdfslibforyou book to read? Genres: Consider the genre you enjoy (fiction, non-fiction, mystery, sci-fi, etc.). Recommendations: Ask friends, join book clubs, or explore online reviews and recommendations. Author: If you like a particular author, you might enjoy more of their work.
4. How do I take care of Cantilever Design Example Pdfslibforyou books? Storage: Keep them away from direct sunlight and in a dry environment. Handling: Avoid folding pages, use bookmarks, and handle them with clean hands. Cleaning: Gently dust the covers and pages occasionally.
5. Can I borrow books without buying them? Public Libraries: Local libraries offer a wide range of books for borrowing. Book Swaps: Community book exchanges or online platforms where people exchange books.
6. How can I track my reading progress or manage my book collection? Book Tracking Apps: Goodreads, LibraryThing, and Book Catalogue are popular apps for tracking your reading progress and managing book collections. Spreadsheets: You can create your own spreadsheet to track books read, ratings, and other details.
7. What are Cantilever Design Example Pdfslibforyou audiobooks, and where can I find them? Audiobooks: Audio recordings of books, perfect for listening while commuting or multitasking. Platforms: Audible, LibriVox, and Google Play Books offer a wide selection of audiobooks.
8. How do I support authors or the book industry? Buy Books: Purchase books from authors or independent bookstores. Reviews: Leave reviews on platforms like Goodreads or Amazon. Promotion: Share your favorite books on social media or recommend them to friends.
9. Are there book clubs or reading communities I can join? Local Clubs: Check for local book clubs in libraries or community centers. Online Communities: Platforms like Goodreads have virtual book clubs and discussion groups.
10. Can I read Cantilever Design Example Pdfslibforyou books for free? Public Domain Books: Many classic books are available for free as they're in the public domain. Free E-books: Some websites offer free e-books legally, like Project Gutenberg or Open Library.

Find Cantilever Design Example Pdfslibforyou :





23-1075 coding for beginners software for creators 23-2342 coding for
[23-2374 data science careers tutorial for entrepreneurs](#) [23-2404 data](#)
[AI tools apps for small business](#) [23-2551 AI tools apps for startups](#)
[23-2483 digital marketing examples United States](#) [23-1567 digital](#)
23-1124 AI marketing tutorial USA 23-1191 AI marketing tutorial for
[marketplace software for entrepreneurs](#) [23-852 NFT marketplace software](#)
[23-2436 Instagram growth examples America](#) [23-1292 Instagram growth](#)
[retirement planning tips for creators](#) [23-559 retirement planning tools](#)
startup funding guide for entrepreneurs 23-847 startup funding guide for
[creators](#) [23-2505 small business ideas trends America](#) [23-110 small](#)
[tips examples for entrepreneurs](#) [23-1686 travel tips examples for](#)
[checklist United States](#) [23-2198 TikTok marketing checklist for small](#)
[strategy guide for startups](#) [23-631 SEO strategy ideas USA](#) [23-541 SEO](#)
guide for startups 23-1108 mental wellness ideas USA 23-2085 mental
[strategies for startups](#) [23-752 Instagram growth tips USA](#) [23-1526](#)

Cantilever Design Example Pdfslibforyou :

horse anatomy dover nature coloring book anna s archive - Jul 19 2023
web over 100 accurate drawings examine the external and internal anatomy of the horse the skeleton muscles nervous
system and major organs including the organs of
[horse anatomy john green google books](#) - Aug 20 2023
web jul 1 2006 this incredibly detailed coloring book examines the external and internal anatomy of the horse with 30 pages
of accurate drawings highlighting the skeleton
horseanatomydoverpictorialarchive download only logs erpNext - Feb 02 2022
web find download free graphic resources for horse anatomy 100 vectors stock photos psd files free for commercial use high
quality images
john green horse anatomy dover pictorial archive - Oct 10 2022
web knock kneed the axes of the limbs are broken in the knee joint to the inside which makes the horse s legs look like a big

x this does not guarantee good support and balance

[the anatomy of the horse dover anatomy for artists](#) - Dec 12 2022

web horse anatomy dover nature coloring book free download as pdf file pdf or read online for free    

horse anatomy diagrams of horse body parts equishop - Sep 09 2022

web jul 7 2006 this incredibly detailed coloring book examines the external and internal anatomy of the horse with 30 pages of accurate drawings highlighting the skeleton

horse anatomy green john 1948 free download - Sep 21 2023

web feb 4 2022 horse anatomy by green john 1948 publication date 2006 topics horses anatomy horses animal morphology publisher mineola n y dover

horse anatomy dover pictorial archive 2023 - Jan 13 2023

web jun 1 1976 george stubbs 1724 1806 an english artist famous for his portraits of thoroughbred race horses and for other animal paintings was also the author of the

horse anatomy dover pictorial archive horse anatomy - May 17 2023

web feb 24 2015 amazon com horse anatomy dover pictorial archive horse anatomy everything else

[horse anatomy dover pictorial archive pdf uniport edu](#) - Mar 03 2022

web anatomy an image archive for artists and designers is a collection of 140 high resolution digitised 17th and 18th century anatomical drawings for personal or commercial creative

dover pictorial archive horse anatomy at cd universe - Apr 16 2023

web sep 23 2023 dover pictorial archive horse anatomy audio book at cd universe this incredibly detailed coloring book examines the external and internal anatomy of the

[horse anatomy dover pictorial archive pivotid uvu edu](#) - Jun 18 2023

web full color versions of all illustrations included on the covers horse anatomy john green 2006 07 01 over 100 accurate drawings examine the horse inside and out the

horse anatomy images free vectors stock photos psd - Jan 01 2022

web horse anatomy dover pictorial archive horse anatomy dover pictorial archive 2 downloaded from pivotid uvu edu on 2022 07 26 by guest animal anatomy for artists

horse anatomy dover pictorial archive maggie raynor - Jun 06 2022

web anatomy dec 01 2022 this comprehensive guide features more than 75 illustrations beginning with the bones and muscles and advancing to studies of motion and repose

[the anatomy of the horse a pictorial approach archive org](#) - Oct 22 2023

web the anatomy of the horse a pictorial approach by way robert f 1921 publication date 1965 topics horses anatomy publisher philadelphia lippincott associate rochelle

horse anatomy dover pictorial archive full pdf pivotid uvu - Nov 30 2021

download solutions horse anatomy dover pictorial archive - May 05 2022

web apr 3 2023 horse anatomy dover pictorial archive 1 7 downloaded from uniport edu ng on april 3 2023 by guest horse anatomy dover pictorial archive when somebody

horse anatomy coloring book dover book by john - Feb 14 2023

web horse anatomy dover pictorial archive treasury of art nouveau design ornament dec 22 2020 577 authentic art nouveau designs ranging in size from full page

horse anatomy coloring book dover science for kids coloring - Aug 08 2022

web temperature they prefer horse anatomy mar 16 2023 over 100 accurate drawings examine the horse inside and out the skeleton muscles nervous system and major

horse anatomy dover pictorial archive pdf uniport edu - Apr 04 2022

web may 28 2023 horse anatomy dover pictorial archive 2 7 downloaded from uniport edu ng on may 28 2023 by guest horse conformation juliet hedge 2004 the

horse anatomy books the equinest - Mar 15 2023

web horse anatomy dover pictorial archive contains more than 100 drawings covering external internal equine anatomy covering the skeletal system nervous system

horse anatomy dover nature coloring book pdf scribd - Nov 11 2022

web over 100 accurate drawings examine the external and internal anatomy of the horse the skeleton muscles nervous system and major organs including the organs of

horseanatomydoverpictorialarchive - Jul 07 2022

web info get the horse anatomy dover pictorial archive partner that we pay for here and check out the link you could buy guide horse anatomy dover pictorial archive or get

essential elements band 2 für horn band music shop - Aug 03 2022

web essential elements bietet nicht nur eine grundlegende umfassende ausbildung für alle blas und schlaginstrumente des blasorchesters und deren zusammenspiel sondern verspricht auch jede menge spaß am gemeinsamen lernen und musizieren neben der musiklehre welche

essential elements band 1 für horn mit 2 cds die pdf copy - Dec 27 2021

web essential elements band 1 fur horn mit 2 cds die pdf copy dsm diabetesselfmanagement com created date 9 1 2023 11 40 07 pm

essential elements band 1 fur horn mit 2 cds die - Jan 28 2022

web feb 25 2023 1 essential elements band 1 fur horn mit 2 cds die when somebody should go to the book stores search establishment by shop shelf by shelf it is in reality problematic this is why we present the ebook compilations in this website it will certainly ease you to see guide essential elements band 1 fur horn mit 2 cds die as you such

essential elements für horn m 2 audio cds die komplette methode für - Jul 14 2023

web essential elements für horn m 2 audio cds die komplette methode für den musikunterricht in schulen und blasorchestern mit cds zum Üben und mitspielen feuerborn wolfgang lautzenheiser tim higgins john menghini charles amazon de bücher bücher

essential elements band 1 fur horn mit 2 cds die pdf michael - Jul 02 2022

web jun 19 2023 1 essential elements band 1 fur horn mit 2 cds die pdf this is likewise one of the factors by obtaining the soft documents of this essential elements band 1 fur horn mit 2 cds die pdf by online you might not require more mature to spend to go to the books instigation as capably as search for them

essential elements band 1 fur horn mit 2 cds die pdf - Jun 13 2023

web mar 19 2023 essential elements band 1 fur horn mit 2 cds die 2 5 downloaded from uniport edu ng on march 19 2023 by guest the wind band and its repertoire two decades of research as published in the cbdna journal michael votta jr for slightly over two decades the college band directors national association published the *essential elements for band f horn book 1 with eei* - Nov 06 2022

web jun 1 1999 paperback june 1 1999 by various author 4 8 496 ratings 1 best seller in horns see all formats and editions essential elements essential elements for band offers beginning students sound pedagogy and engaging music all carefully paced to successfully start young players on their musical journey ee features both familiar songs

essential elements band 1 fur horn mit 2 cds die pdf uniport edu - Feb 26 2022

web mar 22 2023 essential elements band 1 fur horn mit 2 cds die 1 1 downloaded from uniport edu ng on march 22 2023 by guest essential elements band 1 fur horn mit 2 cds die as recognized adventure as without difficulty as experience not quite lesson amusement as well as covenant can be gotten by just checking out a ebook essential

essential elements band 1 fur horn sheet music plus - Dec 07 2022

web shop and buy essential elements band 1 fur horn sheet music horn sheet music book by hal leonard at sheet music plus bt 0570 00 400 dhe

essential elements band 1 für horn mit 2 cds die komplette - Aug 15 2023

web essential elements band 1 für horn mit 2 cds die komplette methode für den musikunterricht in schulen und blasorchestern mit bunter herzförmiger notenklammer marke de haske europe 5 0 2 sternbewertungen

essential elements band 1 fur horn cor cd softcover abebooks - Feb 09 2023

web essential elements band 1 fur horn cor cd von divers auteurs isbn 10 9043112348 isbn 13 9789043112345 hal leonard 2000 softcover

essential elements band 1 fur horn mit 2 cds die pdf - Mar 30 2022

web jul 8 2023 essential elements band 1 fur horn mit 2 cds die thank you for downloading essential elements band 1 fur horn mit 2 cds die as you may know people have search hundreds times for their favorite books like this essential elements band 1 fur horn mit 2 cds die but end up in malicious downloads

essential elements band 1 dhe0562 00 noten rundel - Apr 11 2023

web essential elements band 1 yamaha bläserklasse herausgeber tim lautzenheiser wolfgang feuerborn musikrichtung sammlung schwierigkeitsgrad anfängerstufe serientitel essential elements verlag de haske format us 9x12 229x305mm umfang inklusive mitspiel cd bestellnummer dhe0562 00 erscheinungsdatum 2000 lieferbare stimmen

essential elements band 1 fur horn mit 2 cds die pdf - Jun 01 2022

web 4 essential elements band 1 fur horn mit 2 cds die 2019 08 21 the risk of transmission of infection and implement according to their specific setting and circumstances essential elements for jazz ensemble hal leonard corporation essential elements ukulele playing the ukulele is an enjoyable easy and inexpensive way to get involved in music

amazon com essential elements for band - Sep 04 2022

web best seller in horns essential elements for band f horn book 1 with eei by various jun 1 1999 4 8 out of 5 stars 498 paperback 11 69 11 69 essential elements for band book 2 with eei percussion keyboard percussion book online media percussion book 2 by various sep 1 2000 4 8 out of 5 stars 537 spiral bound

essential elements band 1 fur horn mit 2 cds die pdf - Jan 08 2023

web now the best selling band method is even better book 1 for absolute beginners includes a cd anda dvd features include book same great essential elements 2000 method cd cd rom features play along tracks 1 58 with band theory of metals may 23 2022 band theory of metals the elements focuses on the band theory of solids

essential elements band 1 fur horn mit 2 cds die pdf full pdf - Oct 05 2022

web jul 1 2023 1 essential elements band 1 fur horn mit 2 cds die pdf this is likewise one of the factors by obtaining the soft documents of this essential elements band 1 fur horn mit 2 cds die pdf by online you might not require more become old to spend to go to the books introduction as competently as search for them in some cases you likewise pull off

essential elements band 2 blasmusik shop de - Mar 10 2023

web essential elements band 2 horn 19 99 ca 1 2 wochen klarinette boehm 19 99 geschichte und kultur jedem schülerheft liegt eine vor und mitspiel cd bei die von professionellen musikern eingespielt wurde zusätzlich gibt es ein mitspiel cd set das ab etwa der mitte des jeweiligen schülerhefts zum Üben zu hause verwendet

essential elements band 1 fur horn mit 2 cds die pdf - Apr 30 2022

web essential elements 2000 comprehensive band method conductor essential elements band 1 fur horn mit 2 cds die downloaded from sql gocohospitality com by guest aubree benjamin lectures on computation hal leonard publishing corporation band classroom methods all levels essential elements for band trombone book 1 with

9043112348 essential elements für horn m 2 audio cds die - May 12 2023

web essential elements für horn m 2 audio cds die komplette methode für den musikunterricht in schulen und blasorchestern mit cds zum Üben und mitspielen finden sie alle bücher von divers auteurs

[amazon com customer reviews comprehensive chess endings](#) - Nov 24 2022

web there the order was 1 pawn endings 2 bishop and knight endings 3 bishop vs knight rook vs minor pieces 4 rook endings 5 queens endings because of the popularity of

comprehensive chess endings volume 4 - Apr 29 2023

web there the order was 1 pawn endings 2 bishop and knight endings 3 bishop vs knight rook vs minor pieces 4 rook endings 5 queens endings because of the popularity of

comprehensive chess endings volume 4 pawn endings - Mar 29 2023

web about this title comprehensive chess endings is a five volume master work by one of the world s leading authorities on the chess endgames grandmaster yuri averbakh

comprehensive chess endings volume 4 pawn endings - May 19 2022

web knight and rook pawn on the sixth in the present case the extra pawn and knight win quickly and without effort 3 challenges tournaments endings openings a taste of

comprehensive chess endings volume 4 pawn endings - May 31 2023

web comprehensive chess endings volume 4 pawn endings averbakh yuri maizelis ilya zinar mikhael amazon com au books [comprehensive chess endings volume 4 pawn endings](#) - Jan 27 2023

web find helpful customer reviews and review ratings for comprehensive chess endings volume 4 pawn endings at amazon com read honest and unbiased product reviews

comprehensive chess endings vol 4 pawn endings - Oct 24 2022

web amazon in buy comprehensive chess endings volume 4 pawn endings book online at best prices in india on amazon in read comprehensive chess endings volume 4

comprehensive chess endings volume 4 pawn endings livre - Mar 17 2022

web comprehensive chess endings is a five volume master work by one of the world s leading authorities on the chess endgames grandmaster yuri averbakh this series

[comprehensive chess endings vol 4 pawn endings](#) - Jun 19 2022

web comprehensive chess endings volume 4 pawn endings averbakh yuri maizelis ilya zinar mikhail amazon ca livres

[comprehensive chess endings volume 4 pawn endings](#) - Feb 25 2023

web buy comprehensive chess endings volume 4 pawn endings by yuri averbakh ilya maizelis mikhail zinar online at alibris we have new and used copies available in 1

comprehensive chess endings volume 4 pawn endings - Aug 02 2023

web buy comprehensive chess endings volume 4 pawn endings by averbakh yuri maizalis ilya zinar mikhail sloan sam neat kenneth p isbn 9784871875066 from

comprehensive chess endings volume 4 pawn endings - Aug 22 2022

web comprehensive chess endings volume 4 pawn endings yuri averbakh verlag ishi press japan 2012 isbn 10 4871875067 isbn 13 9784871875066 neu paperback

comprehensive chess endings vol 4 pawn - Apr 17 2022

web there the order was 1 pawn endings 2 bishop and knight endings 3 bishop vs knight rook vs minor pieces 4 rook endings 5 queens endings because of the popularity of

[comprehensive chess endings vol 3 queen and pawn end](#) - Jan 15 2022

endings openings a taste of the middle chess lessons - Feb 13 2022

comprehensive chess endings volume 4 pawn endings - Nov 12 2021

[comprehensive chess endings volume 4 pawn](#) - Sep 03 2023

web there the order was 1 pawn endings 2 bishop and knight endings 3 bishop vs knight rook vs minor pieces 4 rook endings 5 queens endings

7 *greatest chess endings thechessworld* - Dec 14 2021

comprehensive chess endings volume 4 pawn endings alibris - Dec 26 2022

web comprehensive chess endings vol 4 pawn endings pergamon russian chess series english and russian edition hardcover

russian edition by yuri averbakh

comprehensive chess endings volume 4 pawn endings - Jul 01 2023

web there the order was 1 pawn endings 2 bishop and knight endings 3 bishop vs knight rook vs minor pieces 4 rook endings 5 queens endings because of the popularity of

comprehensive chess endings volume 4 pawn - Oct 04 2023

web comprehensive chess endings volume 4 pawn endings averbakh yuri maizelis ilya zinar mikhail amazon sg books

comprehensive chess endings volume 4 the house of - Sep 22 2022

web comprehensive chess endings volume 4 pawn endings translated by kenneth p neat averbakh y maizelis i published by oxford pegamon press 1987 isbn 10

comprehensive chess endings vol 4 pawn endings - Jul 21 2022

web apr 8 2023 find many great new used options and get the best deals for comprehensive chess endings vol 4 pawn endings by yuri averbakh