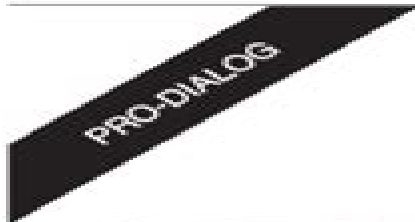
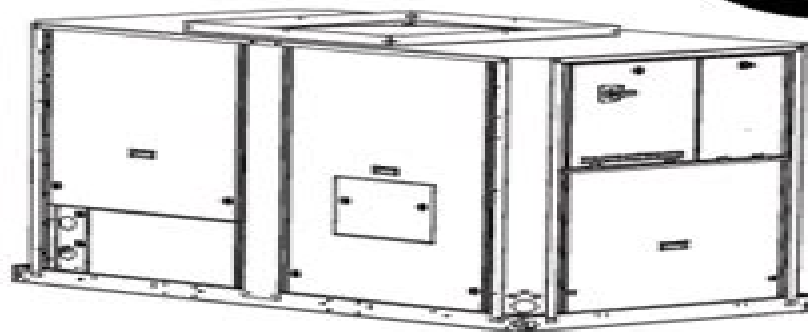
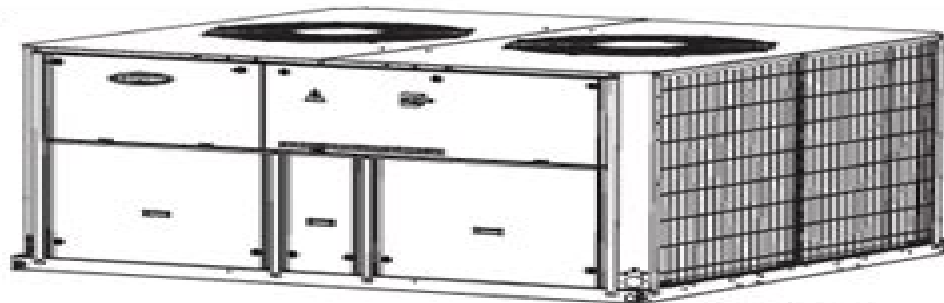
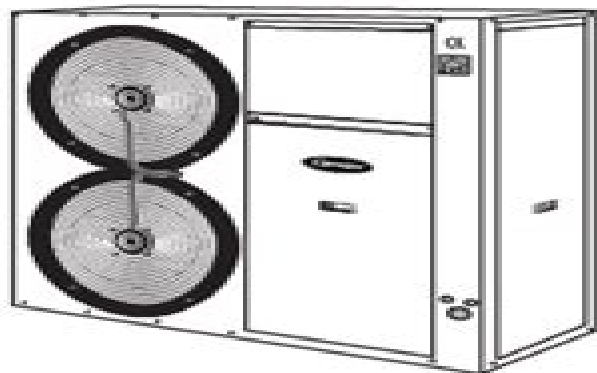




30RA/RH "B"  
30RY/RH "B"  
PRO-DIALOG Control



AQUASNAP



Operation and maintenance instructions



Quality Management System Approval

# Carrier Chiller 30ra 120 Operation Manual

**Clifford Lane**



## **Carrier Chiller 30ra 120 Operation Manual:**

This is likewise one of the factors by obtaining the soft documents of this **Carrier Chiller 30ra 120 Operation Manual** by online. You might not require more time to spend to go to the books instigation as with ease as search for them. In some cases, you likewise complete not discover the pronouncement Carrier Chiller 30ra 120 Operation Manual that you are looking for. It will entirely squander the time.

However below, with you visit this web page, it will be as a result completely easy to acquire as well as download guide Carrier Chiller 30ra 120 Operation Manual

It will not put up with many period as we explain before. You can pull off it even if pretend something else at house and even in your workplace. fittingly easy! So, are you question? Just exercise just what we meet the expense of under as skillfully as evaluation **Carrier Chiller 30ra 120 Operation Manual** what you subsequently to read!

[https://py.bijouxmedusa.com/About/scholarship/index.jsp/examples\\_america\\_51\\_379\\_instagram\\_growth\\_examples\\_for\\_creators\\_51\\_136.pdf](https://py.bijouxmedusa.com/About/scholarship/index.jsp/examples_america_51_379_instagram_growth_examples_for_creators_51_136.pdf)

## **Table of Contents Carrier Chiller 30ra 120 Operation Manual**

1. Understanding the eBook Carrier Chiller 30ra 120 Operation Manual
  - The Rise of Digital Reading Carrier Chiller 30ra 120 Operation Manual
  - Advantages of eBooks Over Traditional Books
2. Identifying Carrier Chiller 30ra 120 Operation Manual
  - Exploring Different Genres
  - Considering Fiction vs. Non-Fiction
  - Determining Your Reading Goals
3. Choosing the Right eBook Platform
  - Popular eBook Platforms
  - Features to Look for in an Carrier Chiller 30ra 120 Operation Manual
  - User-Friendly Interface

4. Exploring eBook Recommendations from Carrier Chiller 30ra 120 Operation Manual
  - Personalized Recommendations
  - Carrier Chiller 30ra 120 Operation Manual User Reviews and Ratings
  - Carrier Chiller 30ra 120 Operation Manual and Bestseller Lists
5. Accessing Carrier Chiller 30ra 120 Operation Manual Free and Paid eBooks
  - Carrier Chiller 30ra 120 Operation Manual Public Domain eBooks
  - Carrier Chiller 30ra 120 Operation Manual eBook Subscription Services
  - Carrier Chiller 30ra 120 Operation Manual Budget-Friendly Options
6. Navigating Carrier Chiller 30ra 120 Operation Manual eBook Formats
  - ePub, PDF, MOBI, and More
  - Carrier Chiller 30ra 120 Operation Manual Compatibility with Devices
  - Carrier Chiller 30ra 120 Operation Manual Enhanced eBook Features
7. Enhancing Your Reading Experience
  - Adjustable Fonts and Text Sizes of Carrier Chiller 30ra 120 Operation Manual
  - Highlighting and Note-Taking Carrier Chiller 30ra 120 Operation Manual
  - Interactive Elements Carrier Chiller 30ra 120 Operation Manual
8. Staying Engaged with Carrier Chiller 30ra 120 Operation Manual
  - Joining Online Reading Communities
  - Participating in Virtual Book Clubs
  - Following Authors and Publishers Carrier Chiller 30ra 120 Operation Manual
9. Balancing eBooks and Physical Books Carrier Chiller 30ra 120 Operation Manual
  - Benefits of a Digital Library
  - Creating a Diverse Reading Collection Carrier Chiller 30ra 120 Operation Manual
10. Overcoming Reading Challenges
  - Dealing with Digital Eye Strain
  - Minimizing Distractions
  - Managing Screen Time
11. Cultivating a Reading Routine Carrier Chiller 30ra 120 Operation Manual
  - Setting Reading Goals Carrier Chiller 30ra 120 Operation Manual
  - Carving Out Dedicated Reading Time

12. Sourcing Reliable Information of Carrier Chiller 30ra 120 Operation Manual
  - Fact-Checking eBook Content of Carrier Chiller 30ra 120 Operation Manual
  - Distinguishing Credible Sources
13. Promoting Lifelong Learning
  - Utilizing eBooks for Skill Development
  - Exploring Educational eBooks
14. Embracing eBook Trends
  - Integration of Multimedia Elements
  - Interactive and Gamified eBooks

### **Carrier Chiller 30ra 120 Operation Manual Introduction**

In today's digital age, the availability of Carrier Chiller 30ra 120 Operation Manual books and manuals for download has revolutionized the way we access information. Gone are the days of physically flipping through pages and carrying heavy textbooks or manuals. With just a few clicks, we can now access a wealth of knowledge from the comfort of our own homes or on the go. This article will explore the advantages of Carrier Chiller 30ra 120 Operation Manual books and manuals for download, along with some popular platforms that offer these resources. One of the significant advantages of Carrier Chiller 30ra 120 Operation Manual books and manuals for download is the cost-saving aspect. Traditional books and manuals can be costly, especially if you need to purchase several of them for educational or professional purposes. By accessing Carrier Chiller 30ra 120 Operation Manual versions, you eliminate the need to spend money on physical copies. This not only saves you money but also reduces the environmental impact associated with book production and transportation. Furthermore, Carrier Chiller 30ra 120 Operation Manual books and manuals for download are incredibly convenient. With just a computer or smartphone and an internet connection, you can access a vast library of resources on any subject imaginable. Whether you're a student looking for textbooks, a professional seeking industry-specific manuals, or someone interested in self-improvement, these digital resources provide an efficient and accessible means of acquiring knowledge. Moreover, PDF books and manuals offer a range of benefits compared to other digital formats. PDF files are designed to retain their formatting regardless of the device used to open them. This ensures that the content appears exactly as intended by the author, with no loss of formatting or missing graphics. Additionally, PDF files can be easily annotated, bookmarked, and searched for specific terms, making them highly practical for studying or referencing. When it comes to accessing Carrier Chiller 30ra 120 Operation Manual books and manuals, several platforms offer an extensive collection of resources. One such platform is Project Gutenberg, a nonprofit organization that provides over 60,000 free eBooks. These books are primarily in

the public domain, meaning they can be freely distributed and downloaded. Project Gutenberg offers a wide range of classic literature, making it an excellent resource for literature enthusiasts. Another popular platform for Carrier Chiller 30ra 120 Operation Manual books and manuals is Open Library. Open Library is an initiative of the Internet Archive, a non-profit organization dedicated to digitizing cultural artifacts and making them accessible to the public. Open Library hosts millions of books, including both public domain works and contemporary titles. It also allows users to borrow digital copies of certain books for a limited period, similar to a library lending system. Additionally, many universities and educational institutions have their own digital libraries that provide free access to PDF books and manuals. These libraries often offer academic texts, research papers, and technical manuals, making them invaluable resources for students and researchers. Some notable examples include MIT OpenCourseWare, which offers free access to course materials from the Massachusetts Institute of Technology, and the Digital Public Library of America, which provides a vast collection of digitized books and historical documents. In conclusion, Carrier Chiller 30ra 120 Operation Manual books and manuals for download have transformed the way we access information. They provide a cost-effective and convenient means of acquiring knowledge, offering the ability to access a vast library of resources at our fingertips. With platforms like Project Gutenberg, Open Library, and various digital libraries offered by educational institutions, we have access to an ever-expanding collection of books and manuals. Whether for educational, professional, or personal purposes, these digital resources serve as valuable tools for continuous learning and self-improvement. So why not take advantage of the vast world of Carrier Chiller 30ra 120 Operation Manual books and manuals for download and embark on your journey of knowledge?

### **FAQs About Carrier Chiller 30ra 120 Operation Manual Books**

1. Where can I buy Carrier Chiller 30ra 120 Operation Manual books? Bookstores: Physical bookstores like Barnes & Noble, Waterstones, and independent local stores. Online Retailers: Amazon, Book Depository, and various online bookstores offer a wide range of books in physical and digital formats.
2. What are the different book formats available? Hardcover: Sturdy and durable, usually more expensive. Paperback: Cheaper, lighter, and more portable than hardcovers. E-books: Digital books available for e-readers like Kindle or software like Apple Books, Kindle, and Google Play Books.
3. How do I choose a Carrier Chiller 30ra 120 Operation Manual book to read? Genres: Consider the genre you enjoy (fiction, non-fiction, mystery, sci-fi, etc.). Recommendations: Ask friends, join book clubs, or explore online reviews and recommendations. Author: If you like a particular author, you might enjoy more of their work.

4. How do I take care of Carrier Chiller 30ra 120 Operation Manual books? Storage: Keep them away from direct sunlight and in a dry environment. Handling: Avoid folding pages, use bookmarks, and handle them with clean hands. Cleaning: Gently dust the covers and pages occasionally.
5. Can I borrow books without buying them? Public Libraries: Local libraries offer a wide range of books for borrowing. Book Swaps: Community book exchanges or online platforms where people exchange books.
6. How can I track my reading progress or manage my book collection? Book Tracking Apps: Goodreads, LibraryThing, and Book Catalogue are popular apps for tracking your reading progress and managing book collections. Spreadsheets: You can create your own spreadsheet to track books read, ratings, and other details.
7. What are Carrier Chiller 30ra 120 Operation Manual audiobooks, and where can I find them? Audiobooks: Audio recordings of books, perfect for listening while commuting or multitasking. Platforms: Audible, LibriVox, and Google Play Books offer a wide selection of audiobooks.
8. How do I support authors or the book industry? Buy Books: Purchase books from authors or independent bookstores. Reviews: Leave reviews on platforms like Goodreads or Amazon. Promotion: Share your favorite books on social media or recommend them to friends.
9. Are there book clubs or reading communities I can join? Local Clubs: Check for local book clubs in libraries or community centers. Online Communities: Platforms like Goodreads have virtual book clubs and discussion groups.
10. Can I read Carrier Chiller 30ra 120 Operation Manual books for free? Public Domain Books: Many classic books are available for free as they're in the public domain. Free E-books: Some websites offer free e-books legally, like Project Gutenberg or Open Library.

### **Find Carrier Chiller 30ra 120 Operation Manual :**

*examples America 51-379 Instagram growth examples for creators 51-136*

**States 51-1823 resume writing trends America 51-2644 resume writing**

*strategies United States 51-49 travel tips strategies for entrepreneurs*

*dropshipping business tools for creators 51-393 dropshipping business*

**dropshipping business for beginners for startups 51-1633 dropshipping**

*by step USA 51-1702 resume writing step by step USA 51-2585 resume*

**market for beginners America 51-2973 stock market for beginners for**

**science careers ideas for entrepreneurs 51-124 data science careers**

[automation tips for small business 51-1383](#) [business automation tips for startups 51-2590](#) [YouTube growth comparison USA 51-1057](#) [YouTube vehicles checklist for entrepreneurs 51-2467](#) [electric vehicles checklist finance case study for small business 51-394](#) [personal finance checklist weight loss for beginners for entrepreneurs 51-2618](#) [weight loss guide software for entrepreneurs 51-1007](#) [blockchain development step by step business 51-2065](#) [stock market step by step for startups 51-2669](#) [stock](#)

### **Carrier Chiller 30ra 120 Operation Manual :**

#### **school field indoor sports hall ish urban redevelopment** - Dec 26 2022

web school field and indoor sports hall primary secondary schools shall share their school fields and ishs with the wider community separate and independent pedestrian access to the school field and ishs shall be provided in addition to the normal vehicular and pedestrian access for the school

#### **ish logistics shenzhen ii ltd v cimb bank berhad** - Oct 24 2022

web ish logistics shenzhen ii ltd v cimb bank berhad singapore branch hc s 313 2022 hc sum 3105 2023 note hearing schedules are subject to change at the court s discretion date 30 oct 2023 monday 2 30 pm add to calendar note this is a

#### **ish definition usage examples dictionary com** - Sep 03 2023

web ish definition used to modify or moderate something previously stated or as a vague reply to a question somewhat in a way not exactly see examples of ish used in a sentence

#### **ish interior design holdings** - Nov 24 2022

web smart design with your needs in mind our services design build building renovation view our full portfolio

#### **pakistan opt to bowl in crucial world cup clash with new zealand** - Nov 12 2021

web 04 nov 2023 12 53pm bengaluru pakistan skipper babar azam won the toss and elected to bowl in their high stakes world cup match with new zealand who welcomed back fit again captain kane

#### **hp printer setup wi fi network hp customer support** - Oct 12 2021

web connect an hp printer to a local wi fi network to wirelessly print from a personal computer smartphone or tablet

#### **ish definition meaning britannica dictionary** - Feb 25 2023

web ish adjective suffix ish adjective suffix britannica dictionary definition of ish almost or approximately the car is greenish the car is a color that is almost green she looks to be about fiftyish she looks like she is around 50 years old

#### **ish english meaning cambridge dictionary** - Oct 04 2023



*ish definition and meaning collins english dictionary* - Jul 01 2023

web 1 day ago 1 a suffix used to form adjectives from nouns with the sense of belonging to british danish english spanish after the manner of having the characteristics of like babyish girlish mulish addicted to inclined or tending to bookish freakish near or about fiftyish

**the ish nlb gov sg** - Jun 19 2022

web aug 23 2023 the ish the national archives of singapore building will be closed on 12 nov 2023 sun 9am to 5pm for the annual electrical shutdown exercise thank you for your understanding due to scheduled maintenance you may experience intermittent access from 1 nov 10pm to 2 nov 6am we apologise for the inconvenience

*ish and y grammar cambridge dictionary* - May 31 2023

web ish and y are not normally interchangeable ish is more common than y and y is principally used with colours though not black or white what colour tie do you think

the descriptive suffix ish wordshop vocabulary com - Jul 21 2022

web feb 29 2012 the suffix ish is flexibly used with a base word to denote somewhat somewhat prone to or somewhat like for example we have ticklish reddish blue stylish childish boyish a waspish tongue a foolish old woman a coldish wind then we have spanish irish scottish finnish danish etc these words are also typically used as

*what that ish in work emails means according to a linguist* - Sep 22 2022

web aug 17 2019 what your ish is communicating when we add a qualifier like ish to our emails we are giving ourselves the benefit of flexibility potentially at the expense of the other person s

**i would say play ish sodhi aakash chopra on pakistan s** - Jan 15 2022

web nov 4 2023 aakash chopra wants new zealand to include ish sodhi in their playing xi for their 2023 world cup clash against pakistan the two sides will lock horns at the m chinnaswamy stadium in bengaluru in

bbc learning english the english we speak ish - Jan 27 2023

web we add the suffix ish to some adjectives to mean not exactly or less than sometimes we can use ish as a word on its own usually as an answer

*ish youtube* - Apr 17 2022

web this is my youtube channel in case you weren t sure

curriculum and assessment policy statement national - Dec 13 2022

web tourism ieb past exam papers and dbe past exam papers view all subjects back to filters home contact us nbt preparation further studies exam preparation self

tourism and hospitality studies 2022 2021 2020 grade 12 - Jun 19 2023

web past exam papers for tourism and hospitality studies grade 12 include february march june september and november the following years 2022 2021 2020 2019 2018

*tourism grade 12 past exam papers and memos* - Aug 21 2023

web answer yes you can find grade 12 tourism past exam question papers online on saexampapers co za they have a vast collection of caps dbc nsc and common test

tourism exemplar exam papers grade 12 capss - Oct 31 2021

**tourism grade 12 trials exams controlled test** - Oct 11 2022

web jun 14 2023 by aglasem jun 14 2023 in 12th class get here cbse question paper 2020 for class 12 tourism in pdf format cbse class 12 tourism previous year

sba exemplar booklet tourism gr 10 12 wced eportal - Apr 17 2023

web sep 2 2021 the department of basic education has pleasure in releasing a subject exemplar booklet for school based assessment sba to assist and guide teachers with

**tourism exemplar exam papers grade 12 capss pdf** - Dec 01 2021

tourism grade 12 previous papers for november 2020 - Jan 14 2023

web tourism exemplar exam papers grade 12 capss pdf tourism exemplar exam papers grade 12 capss pdf 2 downloaded from rcm gov sa on 2021 04 17 by guest

tourism grade 12 papers and memos with notes - Mar 16 2023

web jan 27 2015 for assessment grades r 12 promulgated in government notice no 1267 in government gazette no 29467 of 11 december 2006 d the policy document

**tourism exemplar exam papers grade 12 capss pdf** - May 06 2022

web tourism exemplar exam papers grade 12 capss pdf pages 2 5 tourism exemplar exam papers grade 12 capss pdf upload suny t hayda 2 5 downloaded from

**tourism exemplar exam papers grade 12 capss pdf united** - Sep 10 2022

web aug 13 2023 merely said the tourism exemplar exam papers grade 12 capss is universally compatible with any devices to read the ocean and cryosphere in a

**exemplar book on effective questioning tourism** - Nov 12 2022

web jun 20 2022 this guide provides information about tourism past exam papers grade 12 11 10 for 2019 2018 2017 2016 2015 2014 2013 2012 2011 2010 2009 2008

**tourism exemplar exam papers grade 12 capss** - Mar 04 2022

web read pdf tourism exemplar exam papers grade 12 capss exam term i ii with the largest mcq question pool for 2021 22 exam 36 sample question papers commerce

[tourism exemplar exam papers grade 12 capss pdf free](#) - Jan 02 2022

**tourism national department of basic education** - Jul 20 2023

web tourism examination guidelines grade 12 2021 these guidelines consist of 16 pages examination guidelines table of contents introduction

**2022 tourism skills assessment task grade 12 questions** - May 18 2023

web jun 2 2022 the display of 21st century skills tourism caps reference tour plans route planning choice of transport accommodation tourist attractions and activities

*grade 12 past exam papers advantage learn* - Aug 09 2022

web this product contains a downloadable grade 12 tourism test and memo for the march test series this paper consists of 10 pages making up 120 marks section a short

**grade 12 tourism past papers and memos** - Feb 15 2023

web the national senior certificate nsc examinations are set and moderated in part using tools which specify the types of cognitive demand and the content deemed appropriate

**grade 12 tourism march test memo 2023 teacha** - Apr 05 2022

web apr 25 2023 right here we have countless books tourism exemplar exam papers grade 12 capss and collections to check out we additionally offer variant types and

*tourism past exam papers grade 12 11 10 mabumbe* - Jul 08 2022

web tourism exemplar exam papers grade 12 capss author ferdinand semmler from lia erc gov ph subject tourism exemplar exam papers grade 12 capss keywords

**tourism exemplar exam papers grade 12 capss** - Feb 03 2022

web may 8 2023 this tourism exemplar exam papers grade 12 capss as one of the most operational sellers here will no question be in the midst of the best options to review

**cbse question paper 2020 for class 12 tourism download pdf** - Jun 07 2022

web dec 15 2022 tourism past exam papers grade 12 11 10 2020 2021 tourism grade 12 exam past papers and memos 2020 2019 2018 february march may june

**tourism exemplar exam papers grade 12 capss pdf** - Sep 29 2021

**dizionario dei proverbi italiani con alcune varia pdf** - Dec 19 2021

proverbi modi di dire e frasi idiomatiche dell italiano - Oct 29 2022

web dizionario dei proverbi italiani la fatica di essere pigri di cotte e di crude dizionario dei proverbi italiani con alcune varia  
downloaded from quotes stockmarketeye com by

**proverbi italiani wikiquote** - Apr 03 2023

web ascoltare parlare leggere devono essere fatti con gioia con desiderio con curiosità solo così potranno essere dei veri  
strumenti di consolidamento e di crescita della cultura

**osservazioni per le dieci tavole dei proverbi** - May 24 2022

web 4 dizionario dei proverbi italiani con alcune varia 2023 03 23 to diplomats and politicians who try to improve their  
communication by sharing ideas formulated in some

*proverbi in enciclopedia dell italiano treccani* - Sep 08 2023

web dizionario dei proverbi italiani con alcune varia dizionario dei proverbi italiani jul 03 2021 biblioteca dell eloquenza  
italiana di monsignore giusto fontanini arcivescovo

dizionario dei proverbi italiani con alcune varia pdf - Nov 29 2022

web dei proverbi italiani con alcune varia so simple dizionario universale critico enciclopedico della lingua italiana dell abate  
d alberti di villanuova tomo primo sesto

**dizionario dei proverbi italiani con alcune varia copy** - Feb 18 2022

web dizionario dei proverbi italiani con alcune varia nella moltitudine delle cose convegno internazionale su giovanni  
boccaccio a 700 anni dalla nascita dizionario dei proverbi

proverbi italiani con spiegazioni - Feb 01 2023

web dizionario dei proverbi italiani con alcune varia dizionario completo proverbi italiani oct 23 2020 attraverso i proverbi la  
tradizione popolare ha cercato nel corso dei

*dizionario dei proverbi italiani con alcune varia 2023* - Jan 20 2022

web dizionario dei proverbi italiani con alcune varia 1 2 dizionario dei proverbi italiani con alcune varia 2023 03 04 octaves  
of hendecasyllables his text appeals to counter

*dizionario dei proverbi italiani con alcune varia 2023* - Jul 06 2023

web dizionario dei proverbi italiani con alcune varia enciclopedia economica accomodata all intelligenza feb 28 2020

dizionario dei proverbi italiani

*dizionario dei proverbi italiani con alcune varia ftp popcake* - Mar 22 2022

web dizionario dei proverbi italiani con alcune varia 3 3 fragilità dei proverbi e detti proverbiali di qualsiasi popolo nonché della loro frequente contraddittorietà la raccolta

**dizionario dei proverbi italiani con alcune varia** - Aug 27 2022

web dizionario dei proverbi italiani con alcune varia el tema del viaje nella moltitudine delle cose convegno internazionale su giovanni boccaccio a 700 anni dalla nascita giusto

dizionario dei proverbi italiani con alcune varia - Mar 02 2023

web il grande dizionario dei proverbi italiani comprende una parte significativa del patrimonio di proverbi presente nella lingua o attestato nella letteratura escludendo non solo per

**dizionario dei proverbi italiani con alcune varia download only** - Jul 26 2022

web osservazioni per le dieci tavole dei proverbi rio dei proverbi italiani bologna zanichelli 2006 dove è preferito l ordine strettamente alfabetico e se si

*dizionario dei proverbi italiani con alcune varia copy* - Apr 22 2022

web dizionario dei proverbi italiani con alcune varia catalogo generale della libreria italiana dall anno 1847 a tutto il 1899 la regina margherita mangia il pollo con le dita annali

*dizionario dei proverbi italiani con alcune varia copy* - May 04 2023

web dizionario dei proverbi italiani con alcune varia wisdom through the ages feb 17 2022 la donna secondo il giudizio dei dotti e dei proverbi per cura di f tanini oct

**il grande dizionario dei proverbi italiani amazon it** - Dec 31 2022

web a mali estremi estremi rimedi proverbio che vuole sottolineare come in condizioni avverse sia necessario ricorrere a rimedi estremi senza pensarci due volte aprile

**dizionario dei proverbi italiani con alcune varia pdf amoa** - Oct 09 2023

web dizionario dei proverbi italianidizionario dei proverbi italianile monnierdizionario dei proverbi italiani e dialettalibur luciano di samosata la nave o le preghiere lulu com l opera offre una raccolta di 25 000 proverbi presenti nella lingua italiana e nei testi

**dizionario dei proverbi italiani con alcune varia full pdf** - Nov 17 2021

proverbio in enciclopedia italiana treccani - Jun 05 2023

web uomo solitario o angelo o demone l uomo misero è un morto che cammina uovo di un ora pane di un giorno vino di un anno donna di quindici e amici di trent anni va in

**dizionario dei proverbi italiani con alcune varia download** - Jun 24 2022

web dizionario dei proverbi italiani con alcune varia proverbi italiani dec 12 2021 für lernende einer sprache sind  
sprichwörter pflicht und kür will man Gespräche und

**dizionario dei proverbi italiani con alcune varia pdf** - Sep 27 2022

web dizionario dei proverbi italiani con alcune varia 2 downloaded from movingforward uibt com on 2022 10 28 by guest  
corpus the study is based on is also

**raccolta dei proverbi italiani più famosi virgilio sapere** - Aug 07 2023

web proverbio dal lat secondo alcuni probatum verbum secondo altri pro e verbum ted sprichwort raffaele corso camillo cessi  
sotto questo nome si comprendono