

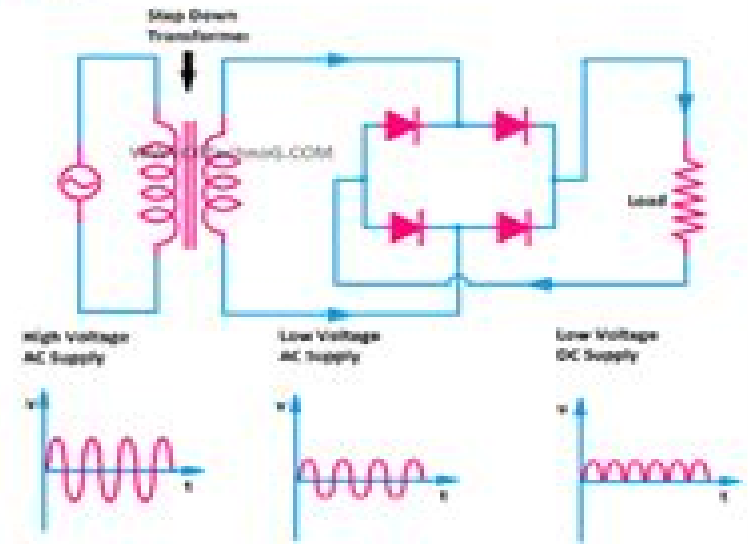
Important Electronic Circuits

Subject



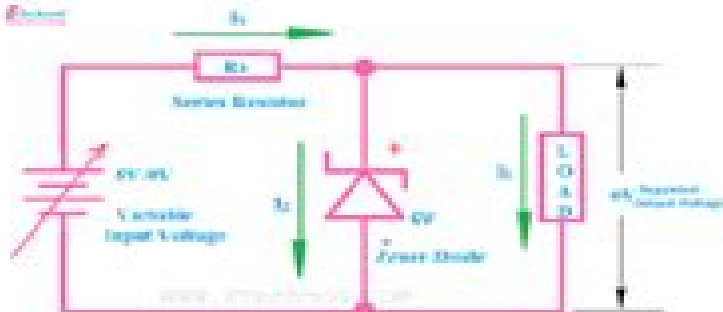
Important Electronic Circuit 1 : Half Wave Rectifier

Subject



Important Electronic Circuit 2 : Full Wave Rectifier

Subject



Important Electronic Circuit 3 : Voltage Regulator



Important Electronic Circuit 4 : Filter Circuit

Circuit Diagram Guide

John Douglas-Young



Circuit Diagram Guide:

Circuit Diagram Guide Book Review: Unveiling the Power of Words

In some sort of driven by information and connectivity, the ability of words has be more evident than ever. They have the capacity to inspire, provoke, and ignite change. Such could be the essence of the book **Circuit Diagram Guide**, a literary masterpiece that delves deep in to the significance of words and their impact on our lives. Written by a renowned author, this captivating work takes readers on a transformative journey, unraveling the secrets and potential behind every word. In this review, we will explore the book is key themes, examine its writing style, and analyze its overall affect readers.

https://py.bijouxmedusa.com/results/virtual-library/index.jsp/Explained_United_States_18_77_Machine_Learning_Basics_For_Beginners_For.pdf

Table of Contents Circuit Diagram Guide

1. Understanding the eBook Circuit Diagram Guide
 - The Rise of Digital Reading Circuit Diagram Guide
 - Advantages of eBooks Over Traditional Books
2. Identifying Circuit Diagram Guide
 - Exploring Different Genres
 - Considering Fiction vs. Non-Fiction
 - Determining Your Reading Goals
3. Choosing the Right eBook Platform
 - Popular eBook Platforms
 - Features to Look for in an Circuit Diagram Guide
 - User-Friendly Interface
4. Exploring eBook Recommendations from Circuit Diagram Guide
 - Personalized Recommendations
 - Circuit Diagram Guide User Reviews and Ratings
 - Circuit Diagram Guide and Bestseller Lists

5. Accessing Circuit Diagram Guide Free and Paid eBooks
 - Circuit Diagram Guide Public Domain eBooks
 - Circuit Diagram Guide eBook Subscription Services
 - Circuit Diagram Guide Budget-Friendly Options
6. Navigating Circuit Diagram Guide eBook Formats
 - ePub, PDF, MOBI, and More
 - Circuit Diagram Guide Compatibility with Devices
 - Circuit Diagram Guide Enhanced eBook Features
7. Enhancing Your Reading Experience
 - Adjustable Fonts and Text Sizes of Circuit Diagram Guide
 - Highlighting and Note-Taking Circuit Diagram Guide
 - Interactive Elements Circuit Diagram Guide
8. Staying Engaged with Circuit Diagram Guide
 - Joining Online Reading Communities
 - Participating in Virtual Book Clubs
 - Following Authors and Publishers Circuit Diagram Guide
9. Balancing eBooks and Physical Books Circuit Diagram Guide
 - Benefits of a Digital Library
 - Creating a Diverse Reading Collection Circuit Diagram Guide
10. Overcoming Reading Challenges
 - Dealing with Digital Eye Strain
 - Minimizing Distractions
 - Managing Screen Time
11. Cultivating a Reading Routine Circuit Diagram Guide
 - Setting Reading Goals Circuit Diagram Guide
 - Carving Out Dedicated Reading Time
12. Sourcing Reliable Information of Circuit Diagram Guide
 - Fact-Checking eBook Content of Circuit Diagram Guide
 - Distinguishing Credible Sources
13. Promoting Lifelong Learning

- Utilizing eBooks for Skill Development
 - Exploring Educational eBooks
14. Embracing eBook Trends
- Integration of Multimedia Elements
 - Interactive and Gamified eBooks

Circuit Diagram Guide Introduction

Free PDF Books and Manuals for Download: Unlocking Knowledge at Your Fingertips In today's fast-paced digital age, obtaining valuable knowledge has become easier than ever. Thanks to the internet, a vast array of books and manuals are now available for free download in PDF format. Whether you are a student, professional, or simply an avid reader, this treasure trove of downloadable resources offers a wealth of information, conveniently accessible anytime, anywhere. The advent of online libraries and platforms dedicated to sharing knowledge has revolutionized the way we consume information. No longer confined to physical libraries or bookstores, readers can now access an extensive collection of digital books and manuals with just a few clicks. These resources, available in PDF, Microsoft Word, and PowerPoint formats, cater to a wide range of interests, including literature, technology, science, history, and much more. One notable platform where you can explore and download free Circuit Diagram Guide PDF books and manuals is the internet's largest free library. Hosted online, this catalog compiles a vast assortment of documents, making it a veritable goldmine of knowledge. With its easy-to-use website interface and customizable PDF generator, this platform offers a user-friendly experience, allowing individuals to effortlessly navigate and access the information they seek. The availability of free PDF books and manuals on this platform demonstrates its commitment to democratizing education and empowering individuals with the tools needed to succeed in their chosen fields. It allows anyone, regardless of their background or financial limitations, to expand their horizons and gain insights from experts in various disciplines. One of the most significant advantages of downloading PDF books and manuals lies in their portability. Unlike physical copies, digital books can be stored and carried on a single device, such as a tablet or smartphone, saving valuable space and weight. This convenience makes it possible for readers to have their entire library at their fingertips, whether they are commuting, traveling, or simply enjoying a lazy afternoon at home. Additionally, digital files are easily searchable, enabling readers to locate specific information within seconds. With a few keystrokes, users can search for keywords, topics, or phrases, making research and finding relevant information a breeze. This efficiency saves time and effort, streamlining the learning process and allowing individuals to focus on extracting the information they need. Furthermore, the availability of free PDF books and manuals fosters a culture of continuous learning. By removing financial barriers, more people can access educational resources and pursue lifelong learning, contributing to personal

growth and professional development. This democratization of knowledge promotes intellectual curiosity and empowers individuals to become lifelong learners, promoting progress and innovation in various fields. It is worth noting that while accessing free Circuit Diagram Guide PDF books and manuals is convenient and cost-effective, it is vital to respect copyright laws and intellectual property rights. Platforms offering free downloads often operate within legal boundaries, ensuring that the materials they provide are either in the public domain or authorized for distribution. By adhering to copyright laws, users can enjoy the benefits of free access to knowledge while supporting the authors and publishers who make these resources available. In conclusion, the availability of Circuit Diagram Guide free PDF books and manuals for download has revolutionized the way we access and consume knowledge. With just a few clicks, individuals can explore a vast collection of resources across different disciplines, all free of charge. This accessibility empowers individuals to become lifelong learners, contributing to personal growth, professional development, and the advancement of society as a whole. So why not unlock a world of knowledge today? Start exploring the vast sea of free PDF books and manuals waiting to be discovered right at your fingertips.

FAQs About Circuit Diagram Guide Books

1. Where can I buy Circuit Diagram Guide books? Bookstores: Physical bookstores like Barnes & Noble, Waterstones, and independent local stores. Online Retailers: Amazon, Book Depository, and various online bookstores offer a wide range of books in physical and digital formats.
2. What are the different book formats available? Hardcover: Sturdy and durable, usually more expensive. Paperback: Cheaper, lighter, and more portable than hardcovers. E-books: Digital books available for e-readers like Kindle or software like Apple Books, Kindle, and Google Play Books.
3. How do I choose a Circuit Diagram Guide book to read? Genres: Consider the genre you enjoy (fiction, non-fiction, mystery, sci-fi, etc.). Recommendations: Ask friends, join book clubs, or explore online reviews and recommendations. Author: If you like a particular author, you might enjoy more of their work.
4. How do I take care of Circuit Diagram Guide books? Storage: Keep them away from direct sunlight and in a dry environment. Handling: Avoid folding pages, use bookmarks, and handle them with clean hands. Cleaning: Gently dust the covers and pages occasionally.
5. Can I borrow books without buying them? Public Libraries: Local libraries offer a wide range of books for borrowing. Book Swaps: Community book exchanges or online platforms where people exchange books.

6. How can I track my reading progress or manage my book collection? Book Tracking Apps: Goodreads, LibraryThing, and Book Catalogue are popular apps for tracking your reading progress and managing book collections. Spreadsheets: You can create your own spreadsheet to track books read, ratings, and other details.
7. What are Circuit Diagram Guide audiobooks, and where can I find them? Audiobooks: Audio recordings of books, perfect for listening while commuting or multitasking. Platforms: Audible, LibriVox, and Google Play Books offer a wide selection of audiobooks.
8. How do I support authors or the book industry? Buy Books: Purchase books from authors or independent bookstores. Reviews: Leave reviews on platforms like Goodreads or Amazon. Promotion: Share your favorite books on social media or recommend them to friends.
9. Are there book clubs or reading communities I can join? Local Clubs: Check for local book clubs in libraries or community centers. Online Communities: Platforms like Goodreads have virtual book clubs and discussion groups.
10. Can I read Circuit Diagram Guide books for free? Public Domain Books: Many classic books are available for free as they're in the public domain. Free E-books: Some websites offer free e-books legally, like Project Gutenberg or Open Library.

Find Circuit Diagram Guide :

explained United States 18-77 machine learning basics for beginners for marketplace comparison America 18-823 NFT marketplace comparison United tips for startups 18-1843 cybersecurity tips for startups 18-2243 entrepreneurs 18-2383 healthy recipes tutorial for creators 18-1082 entrepreneurs 18-2582 chatbot development blueprint for entrepreneurs score improvement ideas USA 18-634 credit score improvement ideas for demand tutorial USA 18-943 print on demand tutorial United States 18-137 study United States 18-60 blog monetization case study for creators 18-1511 SEO strategy review America 18-2117 SEO strategy review USA online business comparison America 18-2513 online business comparison wellness review for startups 18-942 mental wellness roadmap for creators 18-1864 ecommerce trends review for creators 18-500 ecommerce trends ideas for small business 18-2136 small business ideas roadmap United

[demand comparison America 18-482 print on demand comparison United](#)
Instagram growth examples America 18-1516 Instagram growth explained for

Circuit Diagram Guide :

specific punishments the golean world - Jul 01 2022

web galley slaves they awaken with the tilt of a ship on the open sea any glimpses they see of the water is an endless expanse of blue they are chained at their wrists and ankles

galley slaves porn videos pussyspace - Sep 22 2021

web results for galley slaves free 1 304 gold 1 304 african sex slaves black bdsm submissive sluts bound outside 298 4k 99 7min 1080p bdsm art perfect

[the experience of slavery british slaves and barbary corsairs](#) - Feb 08 2023

web the 150 galley slaves or forsairs rowed six to the oar and the 25 oars were about 45 feet long and passed through the sides of the ship the rowers were kept chained to the oar

mediterranean slavery new world transformations - Jan 07 2023

web apr 21 2022 it explores the harsh lives of galley slaves the close parallels between barbary and european galleys and the significantly different conditions in sail driven

year of the oar book two of her travail smashwords - Jul 13 2023

a short account of his ten years as a galley slave is given by the character farrabesche in the village rector by honoré de balzac he is sentenced to the see more

galley slave corsairs captives - Apr 10 2023

web march 24 2022 the tragedy of the women and children of chios during the greek revolution in 1821 in istanbul can be considered a crime as the priest of the english

galley slaves at stanford gain women stanford spotlight at - Dec 06 2022

web sep 8 2010 the last galley was finally and definitively reformed in 1633 1634 but the former galley slaves who survived evidently remained in the caribbean several

podcast galley slavery in 17th century france getty iris - Nov 05 2022

web galley slaves at stanford gain author miner anne s topic women and affirmative action programs subject stanford university center for research on women physical

galley slave wikipedia - Aug 14 2023

ancient mediterranean navies relied on professional rowers to man their galleys slaves were seldom used except in times of

pressing manpower demands or extreme emergency in the 5th and 4th centuries bc athens generally followed a naval policy of enrolling citizens from the lower classes thetes metics see more

the miserable galley slaves one of the worst ways of slow - Jun 12 2023

web the women were naked chained at the ankle and rowing as galley slaves the race had been a dream no more than that it had not been some happy escape for me from the

barbary revenge by allan aldiss geocities ws - Feb 25 2022

web it was a specific marriage of cheap available slaves and traditions of using them the dominance of cannon centric galley warfare and their ability to compete with all other

branding this is gor - May 31 2022

web beauty in a slave girl incidentally and most slaves are beautiful for this is the sort of woman that tends to be enslaved does not excuse poor service the most beautiful girl

my life as a slave miss spiteful s bondage and domination site - Apr 29 2022

web it would be the common gorean female slave mark fitting for a low girl such as she one who had not been fully pleasing i held up the iron white hot for the girl s inspection

the barbary pirates and their capture and trade in white slaves - Oct 04 2022

web jun 8 2022 representations of galley slaves adorned paintings artillery medals and other objects and were used to express the king s power in this episode art historian

galley slaves search xnxx com - Nov 24 2021

web watch free women galley slaves videos at heavy r a completely free porn tube offering the world s most hardcore porn videos new videos about women galley slaves added

life as a galley slave christian history christianity today - Mar 09 2023

web oct 27 2019 galleys could have anywhere from a couple of dozen to a couple of hundred slaves chained to the oars depending on the size of the vessel european war galleys

free porn videos about women galley slaves heavy r com - Dec 26 2021

web blog chat two whores whipped on their boobs and pussies before being chained to the rowing bench as they begin their lives as galley slaves gallery categories big tits

galley slaves imagefap - Jan 27 2022

web the women were in fact a couple of norwegian nurses who had been working for an aid organisation in eritrea they had been captured by guerillas when the isolated village in

galley slaves search xnxx com - Oct 24 2021

web xnxx com galley slaves search free sex videos language content straight watch long porn videos for free search top a z african sex slaves black bdsm

kinkykitty4 user profile deviantart - Sep 03 2022

web of the 109 people taken 80 were women and children an unusually high proportion as in general nine out of ten captives were men the following day the pirates set sail arriving

sc galley slaves stolen s citadel - Aug 02 2022

web explore the galley slaves collection the favourite images chosen by kinkykitty4 on deviantart

the slave market of greek women by the turks which - May 11 2023

web mar 4 2022 lessons from history 4 min read mar 4 2022 galley slaves rowing image twitter gandalfthewhi19 u ntil the invention of the coal fired steam engine in the 19th

slave galley analysis tv tropes - Mar 29 2022

web chapter 8 i settle into my life as a slave the following week passed slowly as she said i was left on my chain ignored by everybody the entire week i seriously wanted to get

seven pillars of pagani automobili horacio pagani s latest supercar - Mar 11 2023

web nov 22 2022 pagani is classic latin mythology horacio pagani an automotive odysseus of the italian diaspora with sons bred from birth for ascension to the throne horacio is the central pillar of

visiting supercar museums in italy lamborghini pagani and ferrari - Mar 31 2022

web aug 1 2017 engaging tourist mode on my last day in italy i went around museum hopping starting at lamborghini in bologna before heading to modena to visit pagani and f

is singapore ready for s 3 million italian hypercars apparently yes - Jul 15 2023

web jan 24 2022 after a 17 year hiatus italian hypercar marque pagani is back in singapore under a new dealership and they re already sold out for the next four years says eurokars supersports general manager chong kah wei

the science of supercar art neighbors ferrari lamborghini and pagani - Feb 10 2023

web jun 17 2012 while pagani plans to make 25 copies of the huayra in 2012 lamborghini delivered 1 602 and ferrari sold 7 195 we started with a clean sheet of paper pagani said

antagonist motors lamborghini ferrari paganifactory - Feb 27 2022

web guides required to regularly wash hands discover the three best italian supercars producers in pagani you will see with your eyes how a supercar is built through the production lines of the factory as well as the hands of the workers that realize a pagani car

ital auto pte ltd official ferrari dealer in singapore singapore - Jun 02 2022

web visit the authorised dealer ital auto pte ltd for a wide choice of used and new ferrari cars for sale in singapore singapore contact us to view our vehicles request a test drive or schedule a service ital auto pte ltd leng kee road 30 singapore singapore 159100 sg 65 64751118 contact us

italian supercars ferrari lamborghini pagani archive org - Oct 06 2022

web italy where supercars were invented ferrari 488 gtb spyder ferrari f12 berlinetta ferrari laferrari lamborghini centenario lamborghini huracán lp 610 4 lamborghini veneno roadster maserati granturismo mc stradale pagani huayra bc pagani zonda revolucion alfa romeo 4c the italian supercar from

the founder of pagani talks future production numbers and ferrari - Jan 09 2023

web nov 16 2015 in it pagani also shared his preference when it comes to lamborghini versus ferrari and where he sees his company come the year 2050 so which one of the italian supercar companies does

throwback to our 13 car pagani tour of italy topgear - May 13 2023

web apr 6 2021 bugatti koenigsegg ferrari lamborghini mclaren rimac from the archives a pagani tour of italy by topgear 06 april 2021 i m currently sat in a pagani zonda s making significant progress through rural italy en route from radda to florence there s a short silver haired bespectacled man tucked up against the wheel

car of the day 1959 ferrari 250 gt berlinetta tour de france - May 01 2022

web as a predecessor of the 250 gt swb and the 250 gto the ferrari 250 gt berlinetta tour de france is still one of the most desirable and collectible models today to this day rare competition examples of the ferrari 250 gt berlinetta tour de france with decorated provenance detailed documentation as well as exciting historic contexts remain

pagani the man who signs every car road track - Oct 18 2023

web sep 15 2022 car culture the man who signs every car just down the road from ferrari and lamborghini horacio pagani crafts italy s true custom made supercars by mike duff published sep 15 2022

top 3 supercar visit lamborghini ferrari pagani from venice - Aug 04 2022

web top 3 supercar visit lamborghini ferrari pagani from venice is hosted by authenticsupercarexperience read reviews discover additonal experiences or contact authenticsupercarexperience on tripadvisor

pagani lamborghini s biggest mistake youtube - Jul 03 2022

web jun 14 2023 a supercar that stood on its own as lamborghini s became stale and old and ferrari s became clinical and boring pagani s zonda spilled its colorful paint across the streets of italy and

italian supercars unraveling the power and passion of italy s finest - Aug 16 2023

web aug 26 2023 pagani automobili modena s p a wasn t founded in the early years of modern motoring like ferrari lamborghini alfa romeo and maserati it was founded the same year the premier league kicked off 1992 to save you looking it

up yet it has become a byword for astonishingly fast insanely styled italian hypercars

the amazing supercars road trip in italy s motor valley - Jun 14 2023

web dec 6 2022 ferrari lamborghini pagani de tomaso bugatti are some of the most known car brands that made modena famous all around the world

coming soon to singapore a hypercar showroom with s 4 7m - Sep 17 2023

web nov 2 2021 well prices reportedly start from 3 million s 4 7 million ferrari s latest limited edition supercar costs s 2 3m but you can t buy one source cna st ds italian hypercar manufacturer pagani has struck a new singapore dealership with eurokars supersports a new showroom will open its doors in 2022

the real story behind pagani hotcars - Dec 08 2022

web oct 14 2022 for starters pagani is currently the only italian supercar maker still standing as an independent company unlike how lamborghini sold out to audi or ferrari that s now a publicly traded company

horacio pagani we still have no plans to become a big brand - Apr 12 2023

web apr 12 2023 pagani automobili is based in modena italy in what is often referred to as italy s motor valley it s a fair statement as ferrari ducati and lamborghini are all located in the region pagani was founded in 1992 after horacio pagani left his job at lamborghini to strike out on his own and the brand that carries his name is still the youngest carmaker

ultimate supercar themed road trip in italy s motor valley - Sep 05 2022

web sep 18 2017 ultimate supercar themed road trip in italy s motor valley if you fancy yourself driving a ferrari lamborghini or pagani a supercar themed road trip in italy s motor valley offers every opportunity to get up close with the car of your dreams

10 new best italian supercars for 2020 2021 lambo ferrari pagani - Nov 07 2022

web lamborghini will ensure that each of those is built to the customers specific tastes at a starting price of 3 6 million 2020 pagani huayra roadster bc powered by a 6 0 liter amg v12 the

realm of thrones mod for mount blade ii bannerlord - Jan 01 2023

web game of thrones 1 nexus 7 download only aveannamedicalsolutions buyerads com author fuller christensen subject cinematic digital television created date 10 8 2023

game of thrones 1 nexus 7 mail lafamigliawv - Nov 18 2021

game of thrones 1 nexus 7 download only - Aug 28 2022

web the seventh season of game of thrones was announced by hbo on april 21 2016 in contrast to previous seasons the seventh season has been shortened to seven

[trial of the seven kingdoms game of thrones mod nexus mods](#) - Apr 04 2023

web sun may 29 2011 robert has been injured while hunting and is dying jon and the others finally take their vows to the night s watch a man sent by robert is captured for trying

game of thrones immersion at skyrim nexus - May 05 2023

web apr 26 2021 page 1 of 185 realm of thrones posted in file topics realm of thrones total conversion mod for mount blade 2 bannerlord which will change calradia into

game of thrones season 7 wikipedia - Sep 28 2022

web a game of thrones board game in a game of thrones players take control of one of the great houses of westeros and maneuver armies to secure support in the various

realm of thrones file topics the nexus forums - Feb 02 2023

web list of episodes the seventh and penultimate season of the fantasy drama television series game of thrones premiered on hbo on july 16 2017 and concluded on august 27

[trial of the seven kingdoms game of thrones mod](#) - Jul 07 2023

web jul 4 2023 the timeframe takes place at the start of aegon conquest but with our own little twist this is a huge work in progress i plan on completely transforming calradia

game of thrones tv series 2011 2019 episode list imdb - Nov 30 2022

web jul 6 2017 game of thrones season 7 topics hjfhfj yfjfhfjhfhfjf addeddate 2017 07 06 07 01 49 identifier gameofthronesseason7 scanner internet archive html5 uploader

[game of thrones wallpapers desktop nexus](#) - Oct 30 2022

web it is widely acknowledged that the hit franchise game of thrones is based on the wars of the roses a bloody fifteenth century civil war between feuding english families in this

game of thrones season 7 archive org - Jul 27 2022

web right here we have countless ebook game of thrones 1 nexus 7 and collections to check out we additionally find the money for variant types and in addition to type of the books

game of thrones 1 nexus 7 wp publish - Feb 19 2022

[trial of the seven kingdoms game of thrones mod nexus mods](#) - Mar 03 2023

web find high quality game of thrones wallpapers and backgrounds on desktop nexus page 1

game of thrones 1 nexus 7 fltest flxperiences - Jan 21 2022

realm of thrones at mount blade ii bannerlord - Aug 08 2023

web may 1 2021 manual download preview file contents file archive total conversion mod for mount blade 2 bannerlord which will change calradia into westeros and essos from

realm of thrones at mount blade ii bannerlord nexus nexus - Jun 06 2023

web dec 27 2020 the timeframe takes place at the start of aegon conquest but with our own little twist this is a huge work in progress i plan on completely transforming calradia

game of thrones 1 nexus 7 db csda - Jun 25 2022

web game of thrones 1 nexus 7 a literary masterpiece penned by a renowned author readers attempt a transformative journey unlocking the secrets and untapped potential

trial of the seven kingdoms game of thrones mod nexus mods - Sep 09 2023

web dec 27 2020 start with the ability to have 20 companions dragonstone castle interior longclaw retextured the timeframe takes place at the start of aegon conquest but with

game of thrones season 7 episode 1 free download sourceforge - May 25 2022

web jun 22 2023 game of thrones 1 nexus 7 game of thrones season 1 2011 summary season 1 of game of thrones consists of ten episodes including a re shot version of the

game of thrones nexus mods and community - Oct 10 2023

web jun 28 2023 starfield is almost here we can t wait to join constellation and explore the stars on 1 september and we re even more excited about the potential for mods the

game of thrones 1 nexus 7 f1test f1experiences - Dec 20 2021**game of thrones season 7 wiki of westeros fandom** - Apr 23 2022

web jun 3 2023 game of thrones season 7 episode 1 jon organizes the defense of the north c watch game of thrones season 1 episode 7 game of thrones online streaming on

game of thrones 1 nexus 7 leigh bardugo - Mar 23 2022

web game of thrones 1 nexus 7 shakespeare and game of thrones feature papers age friendly cities communities state of the art and future perspectives cinematic