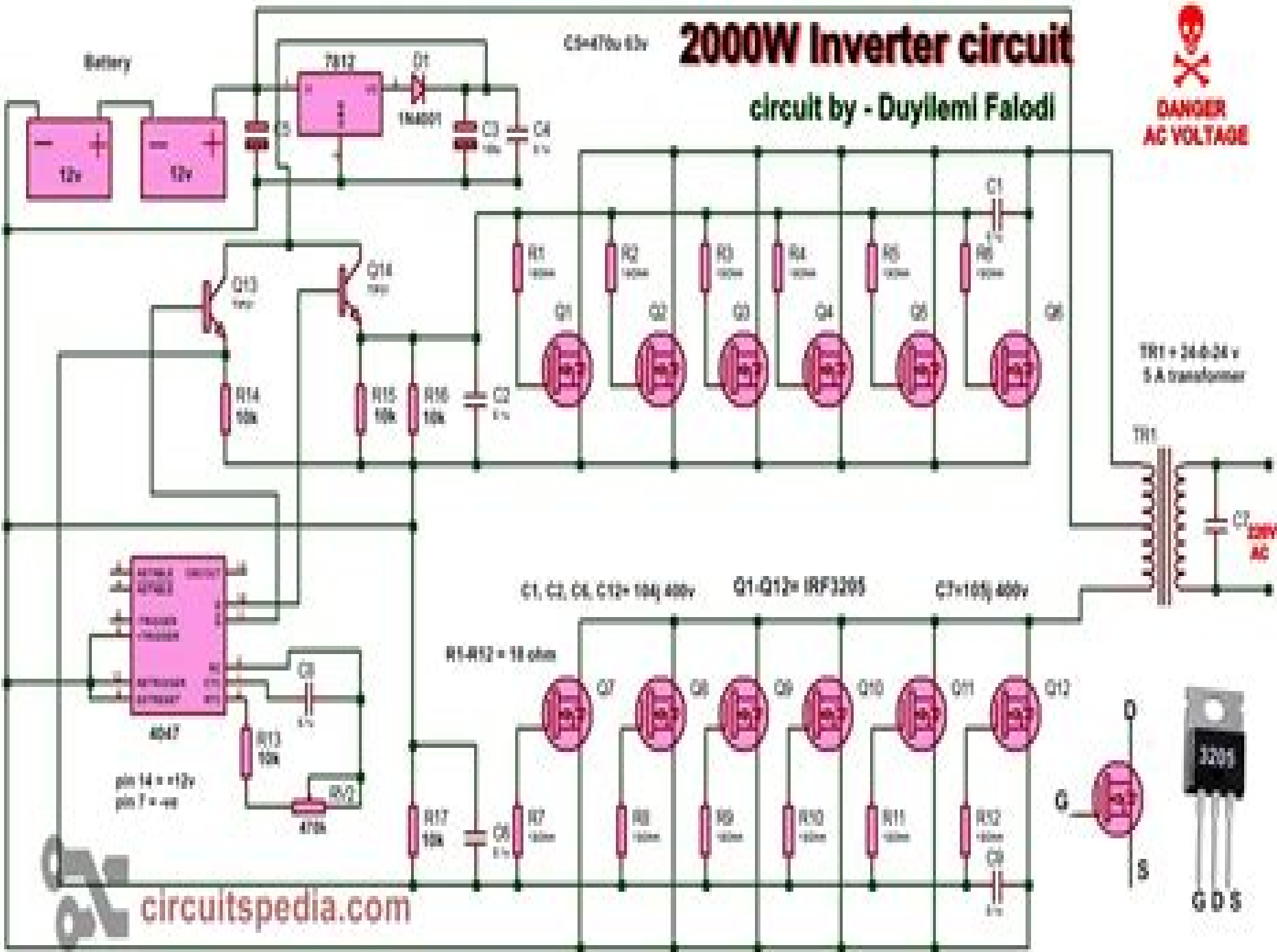


2000W Inverter circuit

circuit by - Duyilemi Falodi



Circuit Diagram For Inverter Design

**Zbitou, Jamal, Pruncu, Catalin
Iulian, Errkik, Ahmed**



Circuit Diagram For Inverter Design:

Organic Thin Film Transistor Integration Flora Li, Arokia Nathan, Yiliang Wu, Beng S. Ong, 2011-03-21 Research on organic electronics or plastic electronics is driven by the need to create systems that are lightweight unbreakable and mechanically flexible. With the remarkable improvement in the performance of organic semiconductor materials during the past few decades, organic electronics appeal to innovative practical and broad impact applications requiring large area coverage, mechanical flexibility, low temperature processing, and low cost. Thus, organic electronics appeal to a broad range of electronic devices and products including transistors, diodes, sensors, solar cells, lighting displays, and electronic identification and tracking devices. A number of commercial opportunities have been identified for organic thin film transistors (OTFTs) ranging from flexible displays, electronic paper, radio frequency identification (RFID) tags, smart cards, to low cost disposable electronic products, and more are continually being invented as the technology matures. The potential applications for plastic electronics are huge, but several technological hurdles must be overcome. In many of these applications, the transistor serves as a fundamental building block to implement the necessary electronic functionality. Hence, research in organic thin film transistors (OTFTs) or organic field effect transistors (OFETs) is eminently pertinent to the development and realization of organic electronics. This book presents a comprehensive investigation of the production and application of a variety of polymer based transistor devices and circuits. It begins with a detailed overview of Organic Thin Film Transistors (OTFTs) and discusses the various possible fabrication methods reported so far. This is followed by two major sections on the choice, optimization, and implementation of the gate dielectric material to be used. Details of the effects of processing on the efficiency of the contacts are then provided. The book concludes with a chapter on the integration of such devices to produce a variety of OTFT based circuits and systems. The key objective is to examine strategies to exploit existing materials and techniques to advance OTFT technology in device performance, device manufacture, and device integration. Finally, the collective knowledge from these investigations facilitates the integration of OTFTs into organic circuits, which is expected to contribute to the development of a new generation of all organic displays for communication devices and other pertinent applications. Overall, a major outcome of this work is that it provides an economical means for organic transistor and circuit integration by enabling the use of a well established PECVD infrastructure while not compromising the performance of electronics. The techniques established here are not limited to use in OTFTs only; the organic semiconductor and SiNx combination can be used in other device structures, e.g. sensors, diodes, photovoltaics. Furthermore, the approach and strategy used for interface optimization can be extended to the development of other materials systems.

Digital Vlsi Design

Singh Ajay Kumar, 2010-06-30 This well organized book provides an in depth coverage of VLSI design engineering which ranges from CMOS logic to physical design automation. The book begins with a discussion on the structure and operation of MOS as MOSFET is the basic building block for any VLSI design. Then it goes on to explain the various fabrication methods of

MOSFET and CMOS implementation and properties of MOS inverter circuit and parasitic parameters and resistances associated with MOSFET which determine and ultimately limit the performance of a digital system Besides it describes design methodology and the concept of the combinational static logic circuits sequential circuit design and CMOS dynamic circuits Finally the book examines semiconductor memory and the importance of adder and multiplier circuits for the VLSI designer Primarily intended as a text for the undergraduate and postgraduate students of Electrical and Electronics Engineering the book would also be of considerable value to designers both beginners and professionals Key Features Provides mathematical derivations for both noise margin and logic voltage Explains all combinational and sequential logics separately Contains a large number of solved and unsolved problems based on issues related to digital VLSI design

Principles of Inverter Circuits Burnice Doyle Bedford, Richard Gibson Hoft, 1964 **Handbook of Research on Recent Developments in Electrical and Mechanical Engineering** Zbitou, Jamal, Pruncu, Catalin Iulian, Errkik, Ahmed, 2019-09-27 Technological advancements continue to enhance the field of engineering and have led to progress in branches that include electrical and mechanical engineering These technologies have allowed for more sophisticated circuits and components while also advancing renewable energy initiatives With increased growth in these fields there is a need for a collection of research that details the variety of works being studied in our globalized world The Handbook of Research on Recent Developments in Electrical and Mechanical Engineering is a pivotal reference source that discusses the latest advancements in these engineering fields Featuring research on topics such as materials manufacturing microwave photons and wireless power transfer this book is ideally designed for graduate students researchers engineers manufacturing managers and academicians seeking coverage on the works and experiences achieved in electrical and mechanical engineering

Inverters for Distributed Energy Systems with a Seamless Transfer Between Utility Interactive and Stand Alone Modes Rohit Kumara Tirumala, 2002 **Scientific and Technical Aerospace Reports** , 1968 **Design of Solid-state Power Supplies** Eugene R. Hnatek, 1971 **Design of High-Performance Microprocessor Circuits** Anantha Chandrakasan, 2001 The authors present readers with a compelling one stop advanced system perspective on the intrinsic issues of digital system design This invaluable reference prepares readers to meet the emerging challenges of the device and circuit issues associated with deep submicron technology It incorporates future trends with practical contemporary methodologies VLSI Design Techniques for Analog and Digital Circuits Randall L. Geiger, Phillip E. Allen, Noel R. Strader, 1990 Journal of the Institution of Electrical Engineers , 1960 **Insulated Gate Bipolar Transistor IGBT Theory and Design** Vinod Kumar Khanna, 2003 Table of contents **Digital Design** Peter Burger, 1988-05-18 This text workbook combines theory design and experimentation to immerse students in the actual experience of engineering design construction and testing Chapters are based on experiments which provide direct experience with all aspects of digital design discussions of basic theoretical material accompany each topic covered Emphasis is on the essentials of

documentation encouraging concise well organized reporting of design procedures and teaching methods In addition the text contains open ended problems designed to expose students to the trial and error methods that may be necessary to solve some design problems Includes numerous tables and diagrams worked out examples and drill exercises Also includes an appendix on practical digital integrated circuits

Electronic Design ,1966 *Journal* ,1960 **Electronics** ,1945-07
June issues 1941 44 and Nov issue 1945 include a buyers guide section

Proceedings of the ... International Conference on Power Electronics, Drives and Energy Systems for Industrial Growth ,1998 **Journal of the Institution of Electronics and Telecommunication Engineers** Institution of Electronics and Telecommunication Engineers (India),1974

IEEE Circuits & Devices ,1991 **RCA Solid-state Power Circuits Designer's Handbook** RCA Corporation. Solid State Division,1971 Guide to the design of solid state power circuits for both linear and switching service

Modeling of Power Electronic Systems with EMTP ,1989

Getting the books **Circuit Diagram For Inverter Design** now is not type of inspiring means. You could not unaccompanied going in the same way as ebook accrual or library or borrowing from your associates to admission them. This is an no question simple means to specifically acquire lead by on-line. This online broadcast Circuit Diagram For Inverter Design can be one of the options to accompany you bearing in mind having supplementary time.

It will not waste your time. take me, the e-book will enormously publicize you additional business to read. Just invest little grow old to admission this on-line message **Circuit Diagram For Inverter Design** as skillfully as review them wherever you are now.

<https://py.bijouxmedusa.com/files/virtual-library/fetch.php/communication%20engineering%20by%20murali%20babu.pdf>

Table of Contents Circuit Diagram For Inverter Design

1. Understanding the eBook Circuit Diagram For Inverter Design
 - The Rise of Digital Reading Circuit Diagram For Inverter Design
 - Advantages of eBooks Over Traditional Books
2. Identifying Circuit Diagram For Inverter Design
 - Exploring Different Genres
 - Considering Fiction vs. Non-Fiction
 - Determining Your Reading Goals
3. Choosing the Right eBook Platform
 - Popular eBook Platforms
 - Features to Look for in an Circuit Diagram For Inverter Design
 - User-Friendly Interface
4. Exploring eBook Recommendations from Circuit Diagram For Inverter Design
 - Personalized Recommendations
 - Circuit Diagram For Inverter Design User Reviews and Ratings
 - Circuit Diagram For Inverter Design and Bestseller Lists

5. Accessing Circuit Diagram For Inverter Design Free and Paid eBooks
 - Circuit Diagram For Inverter Design Public Domain eBooks
 - Circuit Diagram For Inverter Design eBook Subscription Services
 - Circuit Diagram For Inverter Design Budget-Friendly Options
6. Navigating Circuit Diagram For Inverter Design eBook Formats
 - ePub, PDF, MOBI, and More
 - Circuit Diagram For Inverter Design Compatibility with Devices
 - Circuit Diagram For Inverter Design Enhanced eBook Features
7. Enhancing Your Reading Experience
 - Adjustable Fonts and Text Sizes of Circuit Diagram For Inverter Design
 - Highlighting and Note-Taking Circuit Diagram For Inverter Design
 - Interactive Elements Circuit Diagram For Inverter Design
8. Staying Engaged with Circuit Diagram For Inverter Design
 - Joining Online Reading Communities
 - Participating in Virtual Book Clubs
 - Following Authors and Publishers Circuit Diagram For Inverter Design
9. Balancing eBooks and Physical Books Circuit Diagram For Inverter Design
 - Benefits of a Digital Library
 - Creating a Diverse Reading Collection Circuit Diagram For Inverter Design
10. Overcoming Reading Challenges
 - Dealing with Digital Eye Strain
 - Minimizing Distractions
 - Managing Screen Time
11. Cultivating a Reading Routine Circuit Diagram For Inverter Design
 - Setting Reading Goals Circuit Diagram For Inverter Design
 - Carving Out Dedicated Reading Time
12. Sourcing Reliable Information of Circuit Diagram For Inverter Design
 - Fact-Checking eBook Content of Circuit Diagram For Inverter Design
 - Distinguishing Credible Sources
13. Promoting Lifelong Learning

- Utilizing eBooks for Skill Development
 - Exploring Educational eBooks
14. Embracing eBook Trends
- Integration of Multimedia Elements
 - Interactive and Gamified eBooks

Circuit Diagram For Inverter Design Introduction

In the digital age, access to information has become easier than ever before. The ability to download Circuit Diagram For Inverter Design has revolutionized the way we consume written content. Whether you are a student looking for course material, an avid reader searching for your next favorite book, or a professional seeking research papers, the option to download Circuit Diagram For Inverter Design has opened up a world of possibilities. Downloading Circuit Diagram For Inverter Design provides numerous advantages over physical copies of books and documents. Firstly, it is incredibly convenient. Gone are the days of carrying around heavy textbooks or bulky folders filled with papers. With the click of a button, you can gain immediate access to valuable resources on any device. This convenience allows for efficient studying, researching, and reading on the go. Moreover, the cost-effective nature of downloading Circuit Diagram For Inverter Design has democratized knowledge. Traditional books and academic journals can be expensive, making it difficult for individuals with limited financial resources to access information. By offering free PDF downloads, publishers and authors are enabling a wider audience to benefit from their work. This inclusivity promotes equal opportunities for learning and personal growth. There are numerous websites and platforms where individuals can download Circuit Diagram For Inverter Design. These websites range from academic databases offering research papers and journals to online libraries with an expansive collection of books from various genres. Many authors and publishers also upload their work to specific websites, granting readers access to their content without any charge. These platforms not only provide access to existing literature but also serve as an excellent platform for undiscovered authors to share their work with the world. However, it is essential to be cautious while downloading Circuit Diagram For Inverter Design. Some websites may offer pirated or illegally obtained copies of copyrighted material. Engaging in such activities not only violates copyright laws but also undermines the efforts of authors, publishers, and researchers. To ensure ethical downloading, it is advisable to utilize reputable websites that prioritize the legal distribution of content. When downloading Circuit Diagram For Inverter Design, users should also consider the potential security risks associated with online platforms. Malicious actors may exploit vulnerabilities in unprotected websites to distribute malware or steal personal information. To protect themselves, individuals should ensure their devices have reliable antivirus software installed and validate the legitimacy of the websites they are downloading from.

In conclusion, the ability to download Circuit Diagram For Inverter Design has transformed the way we access information. With the convenience, cost-effectiveness, and accessibility it offers, free PDF downloads have become a popular choice for students, researchers, and book lovers worldwide. However, it is crucial to engage in ethical downloading practices and prioritize personal security when utilizing online platforms. By doing so, individuals can make the most of the vast array of free PDF resources available and embark on a journey of continuous learning and intellectual growth.

FAQs About Circuit Diagram For Inverter Design Books

1. Where can I buy Circuit Diagram For Inverter Design books? Bookstores: Physical bookstores like Barnes & Noble, Waterstones, and independent local stores. Online Retailers: Amazon, Book Depository, and various online bookstores offer a wide range of books in physical and digital formats.
2. What are the different book formats available? Hardcover: Sturdy and durable, usually more expensive. Paperback: Cheaper, lighter, and more portable than hardcovers. E-books: Digital books available for e-readers like Kindle or software like Apple Books, Kindle, and Google Play Books.
3. How do I choose a Circuit Diagram For Inverter Design book to read? Genres: Consider the genre you enjoy (fiction, non-fiction, mystery, sci-fi, etc.). Recommendations: Ask friends, join book clubs, or explore online reviews and recommendations. Author: If you like a particular author, you might enjoy more of their work.
4. How do I take care of Circuit Diagram For Inverter Design books? Storage: Keep them away from direct sunlight and in a dry environment. Handling: Avoid folding pages, use bookmarks, and handle them with clean hands. Cleaning: Gently dust the covers and pages occasionally.
5. Can I borrow books without buying them? Public Libraries: Local libraries offer a wide range of books for borrowing. Book Swaps: Community book exchanges or online platforms where people exchange books.
6. How can I track my reading progress or manage my book collection? Book Tracking Apps: Goodreads, LibraryThing, and Book Catalogue are popular apps for tracking your reading progress and managing book collections. Spreadsheets: You can create your own spreadsheet to track books read, ratings, and other details.
7. What are Circuit Diagram For Inverter Design audiobooks, and where can I find them? Audiobooks: Audio recordings of books, perfect for listening while commuting or multitasking. Platforms: Audible, LibriVox, and Google Play Books offer a wide selection of audiobooks.
8. How do I support authors or the book industry? Buy Books: Purchase books from authors or independent bookstores.

Reviews: Leave reviews on platforms like Goodreads or Amazon. Promotion: Share your favorite books on social media or recommend them to friends.

9. Are there book clubs or reading communities I can join? Local Clubs: Check for local book clubs in libraries or community centers. Online Communities: Platforms like Goodreads have virtual book clubs and discussion groups.
10. Can I read Circuit Diagram For Inverter Design books for free? Public Domain Books: Many classic books are available for free as they're in the public domain. Free E-books: Some websites offer free e-books legally, like Project Gutenberg or Open Library.

Find Circuit Diagram For Inverter Design :

~~communication engineering by murali babu~~

~~computer fundamentals questions and answers~~

come into my trading room

~~compensation and reward management by b d singh~~

~~computer science engineering questions with answers~~

~~consumer behavior buying having and being 11th edition paperback~~

~~commercial law roy goode 4th edition lepingore~~

~~comprehensive medical terminology 4th edition~~

~~colour atlas of surgery~~

consumer culture branding and identity in the new russia from five year plan to 4x4 routledge interpretive marketing research

~~computer security matt bishop solutions manual pdf~~

~~communicating at work 11th edition~~

confusable words with hindi meaning

computer organization and design 4th edition solutions manual

~~computer networking kurose and ross 7th edition~~

Circuit Diagram For Inverter Design :

l anglais du tourisme de l hôtellerie et de la restauration - Feb 26 2023

web cet ouvrage traite en 20 dossiers des différents aspects de la vie des entreprises dans les secteurs du tourisme de l

hôtellerie et de la restauration conçu pour l'apprentissage autonome il peut également être utilisé dans le cadre d'un enseignement de groupe

actualité en tr l hôtellerie restauration - Apr 18 2022

web table of contents 1 bitlisli restaurant on the route of a well known orient express 2 cozy family restaurant tomtom kebab 3 zeferan restaurant for special halal events 4 authentic and delicious kebab at mesopotamian terrace restaurant 5 ottoman

traduction de hôtellerie restauration et tourisme en anglais - Jul 02 2023

web traductions en contexte de hôtellerie restauration et tourisme en français anglais avec reverso context

télécommunications 2 hôtellerie restauration et tourisme 1 traduction context correcteur synonymes conjugaison

downloadable free pdfs tourisme ha tellerie et de - Sep 23 2022

web l anglais du tourisme de l hôtellerie et de la restauration aux éditions langues pour tous cet ouvrage traite en 20 dossiers des différents aspects de la vie des entreprises dans les secteurs du tourisme de l hôtellerie et de la restaurat

le vocabulaire de l hôtellerie en anglais my english school - May 20 2022

web les réservations de table et les expériences avec un chef sont uniquement mises en avant via nos partenaires cliquez ici pour en savoir plus 1 last ottoman cafe restaurant 2 eagles İstanbul restaurant 3 saltanat fish kebab house 4

meilleurs restaurants à istanbul turquie tripadvisor - Dec 15 2021

hôtellerie restauration tourisme traduction anglaise linguee - Sep 04 2023

web de très nombreux exemples de phrases traduites contenant hôtellerie restauration tourisme dictionnaire anglais français et moteur de recherche de traductions anglaises

hôtels tourisme restauration international labour - Nov 25 2022

web le guide des métiers du tourisme et de l hôtellerie restauration le marketing du tourisme la création et la reprise d'une entreprise hôtelière et touristique

les 10 meilleurs restaurants viandes et grillades istanbul - Feb 14 2022

web available for private hire gluten free menu grills barbeque interactive kitchen open now average price for 2 2000 grand hyatt istanbul 34 restaurant harbiye mahallesi asker ocağı cd 34367 Şişli İstanbul turkey near by landmark

anglais professionnel hôtellerie restauration tourisme - Apr 30 2023

web maîtriser l anglais professionnel en expression orale et écrite et en compréhension dans le domaine de l hôtellerie restauration et du tourisme enrichir son vocabulaire utile acquérir le vocabulaire anglais spécifique aux domaines de l hôtellerie restauration

34 restaurant grand hyatt istanbul hyattrestaurants com - Nov 13 2021

amazon fr tourisme hôtellerie et de restauration anglais - Jun 01 2023

web noté 5 retrouvez tourisme hôtellerie et de restauration anglais et des millions de livres en stock sur amazon fr achetez neuf ou d occasion

communiquer en anglais dans l hôtellerie et la restauration - Jul 22 2022

web actualité en tr toute l actualité de la profession dans votre région par le journal l hôtellerie restauration

10 best halal restaurants in istanbul that we love - Jan 16 2022

l hotellerie restauration traduction anglaise linguee - Oct 25 2022

web nov 6 2007 vous êtes étudiant ou professionnel de l hôtellerie et de la restauration et vous avez des difficultés à communiquer avec les clients anglophones vous avez besoin d acquérir une meilleure maîtrise de la langue cette méthode est pour vous

communiquer en anglais dans tourisme l hôtellerie et la restauration - Aug 03 2023

web communiquer en anglais dans l hôtellerie et la restauration vous êtes étudiant ou professionnel de l hôtellerie et de la restauration et vous avez des difficultés à communiquer avec les clients anglophones vous avez besoin d acquérir une meilleure

l anglais du tourisme de l hôtellerie et de la restauration cultura - Jun 20 2022

web dates lieux pour salon du mariage de saint estÈve 2024 salon du mariage de saint estève un événement autour du mariage regroupant une diversité de prestataires qualifiés robes de mariées coiffure et beauté tenue de cérémonie pour hommes faire

tourisme ha tellerie et de restauration anglais 2023 - Aug 23 2022

web si vous souhaitez travailler dans le secteur de l hôtellerie ou de la restauration il est important d avoir des bonnes bases et surtout du vocabulaire précis en anglais dans le secteur de l hôtel et de la restauration

tourisme hôtellerie et restauration traduction anglaise linguee - Oct 05 2023

web de très nombreux exemples de phrases traduites contenant tourisme hôtellerie et restauration dictionnaire anglais français et moteur de recherche de traductions anglaises

l anglais du tourisme de l hôtellerie et de la restauration - Jan 28 2023

web de très nombreux exemples de phrases traduites contenant l hotellerie restauration dictionnaire anglais français et moteur de recherche de traductions anglaises

anglais du tourisme de l hôtellerie et de la restauration - Dec 27 2022

web français et français anglais dans la première partie l auteur propose les 19 thèmes fondamentaux de la restauration

préparation des aliments postuler pour un emploi etc avec pour chaque thème une liste des mots à mémoriser et une série de jeux et

salon du mariage de saint estÈve 2024 trade show - Mar 18 2022

web réserver une table aux meilleurs restaurants à istanbul turquie sur tripadvisor lisez 491 587 avis sur 14 770 restaurants à istanbul recherchez par prix quartier etc

le vocabulaire de l hôtellerie anglais wall street english - Mar 30 2023

web connaître le vocabulaire de l hôtellerie en anglais les chambres disponibles selon que vos clients décident de voyager seuls entre amis ou avec leur famille et qu ils restent quelques nuits seulement ou plusieurs semaines vous pouvez leur proposer certaines

bank reconciliation quiz and test accountingcoach - Nov 06 2022

web bank reconciliation practice quiz print pdf for multiple choice and true false questions simply press or click on what you think is the correct answer for fill in the blank questions press or click on the blank space provided

chapter 1 bank reconciliation cambridge university press - May 12 2023

web basic introductory activities activity 1 1 required use the information below to do the following in the books of crème stores complete the cash journals for march 2020 total only the bank columns in both journals draw up the bank account and balance the account on 31 march 2020 draw up the bank reconciliation statement on 31 march 2020

bank reconciliation exercises and answers free downloads - Mar 10 2023

web free bank reconciliation exercises and answers learn how to match transactions on bank statement vs cashbook how to note and solve differences when to adjust cashbook and when to use a bank reconciliation worksheet

bank reconciliation questions and answers beginner - Sep 04 2022

web bank reconciliation question 1 jee asks since the bank reconciliation statement should be done on a monthly basis say if a company has a lot of banks is it possible to out source the bank reconciliation to the bank itself and what are the disadvantages answer in my experience it is not possible to outsource reconciliations to banks

ts grewal accountancy class 11 solution chapter 12 bank reconciliation - Aug 03 2022

web old question answer 6 bank reconciliation statement practical questions class 11 question 1 prepare bank reconciliation statement from the following answer 1 statement of bank reconciliation on the basis of the given transactions credit balance as per the pass book is rs 15 700 point of knowledge

what is a bank reconciliation statement and how is it done - Dec 27 2021

web jun 10 2023 bank reconciliation statements ensure which payments have been processed additionally bar collections have been deposited into the bank aforementioned reconciling statement helps recognize differences between the slope

balance and the show balance if there are any discrepancies a permit any necessary adaptation or

bank reconciliation statement brs format and steps to - Apr 30 2022

web to keep a record of business transactions a bank reconciliation statement brs comes into play brs is a statement which records differences between the bank statement and general ledger in this article we will discuss the bank reconciliation format and

25 short questions and answers bank reconciliation statement - Dec 07 2022

web short questions and answers bank reconciliation statement question 01 what s the bank answer bank is a financial institution that accepts deposits and grants loans question 02 what are the functions of the bank answer the function of the bank is as follows receipt of deposits advanced loan media for exchange supplying money to the

practice preparing a bank reconciliation financial accounting - Jan 08 2023

web learning outcomes prepare a bank reconciliation demonstrate journal entries related to bank reconciliations

bank reconciliation statement problems and solutions - Aug 15 2023

web solution practice by using bank reconciliation statement format problem 2 from the following particulars you are required to find out the errors in cash book and bank statement by using missing method and prepare bank reconciliation statement as on 31 12 2016 for chand bibi ltd

bank reconciliation exercise and answers - Oct 05 2022

web you are required to calculate the adjusting balance prepare the bank reconciliation statement as on 30 june 2013 to arrive the balance as per pass book solution fadi chemical adjusted balance computation as on 30th june 2013 fadi chemical bank reconciliation statement as on 30th june 2013

ts grewal solutions class 11 accountancy chapter 9 bank - Feb 26 2022

web ts grewal solutions for class 11 accountancy chapter 9 bank reconciliation statement is a concept that students should consider while preparing for their accountancy exam here are a few solutions rendered in a simple and stepwise method

4 bank reconciliation statement problems solution example - Jul 14 2023

web apr 17 2023 4 practical examples of bank reconciliation statement problems example 1 cash book balance more than bank example 2 cash book balance more than bank more talk to an expert

bank reconciliation statement questions and answers june - Jun 13 2023

web exercises on bank reconciliation statements question 1 from the following information update the cash book and prepare a bankreconciliation statement as at 31 december 2019 cash book bank column only date2019 details amount p date2019 details amount p

bank reconciliation definition example of bank reconciliation - Feb 09 2023

web written by cfi team what is a bank reconciliation a bank reconciliation statement is a document that compares the cash balance on a company s balance sheet to the corresponding amount on its bank statement reconciling the two accounts helps identify whether accounting changes are needed

class 11 accountancy bank reconciliation statement solutions - Jan 28 2022

web aug 11 2023 the following are some of the numerical questions for the bank reconciliation statement of class 11 accountancy go through the commonly asked brs questions and enhance your preparation for the upcoming exam q1 from the following particulars prepare a bank reconciliation statement as of march 31 2017 i balance

4 bank reconciliation statement problems solution example - Apr 11 2023

web apr 17 2023 4 practicable examples of bank reconciliation statement problems example 1 cash record net further than bank example 2 currency record balance more then bank more 4 practical examples of

how to prepare bank reconciliation statement online tutorials - Mar 30 2022

web sep 28 2020 abc ltd bank reconciliation statement as on 30th september xxxx bank overdraft dr 25000 check issued not encashed 2000 dividends on shares collected by bank 2200 interest charged recorded twice 800 check deposited not entered in cash book 3800 8800 33800 cash short credit side of bank column

bank reconciliation practice problems pdf important class 11 - Jul 02 2022

web jul 4 2021 solution bank reconciliation practice problems pdf credit balance as per pass book 2 prepare bank reconciliations statement for the month of march 31 2020 1 credit balance as per pass book is rs 45 000 on 31st march 2020 2 cheque deposited but not yet collected rs 92 000 3 cheque issued but not yet presented for payment of

dk goel solutions chapter 15 bank reconciliation statement - Jun 01 2022

web question 28 following information has been given by rajendra prepare a bank reconciliation statement as on 31st dec 2016 showing balance as per cash book i debit balance shown by the pass book rs 17 800 ii cheques of rs 21 600 were issued in the last week of december but of these rs 14 800 only were presented for payment

free pdf download skill is the ladder to success speech - Aug 03 2022

web skill is the ladder to success speech the ladder to learning fables ed by mrs trimmer jun 26 2021 isaiah decoded aug 17 2020 the author reveals a new dimension to isaiah s prophecies that uses israel s ancient history as an allegory of an end time scenario preempting the new

skill is not ladder to success speech pdf logb fonedog - Jun 01 2022

web this skill is not ladder to success speech but end up in harmful downloads rather than reading a good book with a cup of tea in the afternoon instead they cope with some infectious bugs inside their computer skill is not ladder to success speech is available in our digital library an online access to it is set as public so you can get it

[lack of skill synonyms 201 words and phrases for lack of skill](#) - Sep 04 2022

web another way to say lack of skill synonyms for lack of skill other words and phrases for lack of skill

[skill is not ladder to success speech new panel hipwee com](#) - Feb 26 2022

web skill is not ladder to success speech skill is not ladder to success speech ladder of success inspirational quotes pictures the magic ladder to success business insider uk poverty 2017 ladders of opportunity keynote speech by the american ladder of success improving writing skills 4 tips for extraordinary public speaking skills success

skill is not ladder to success speech biblioteca ump edu pe - May 12 2023

web skill is not ladder to success speech skills success helps students learn to love vocabulary lessons languages ladder the allconnect blog april 24th 2018 steps to success languages ladderthe the flexibly across all skills the languages ladder is you should be able to understand standard speech relating to a failure is the stepping stone

[online languages courses skill success](#) - Apr 30 2022

web skill success is the place to be when it comes to affordable and top quality online language courses build your foreign language skills as you explore our updated and expert made courses skill success is keen on providing learners with

[skill is not ladder to success speech live leads list](#) - Jul 14 2023

web may 29 2023 skill is not ladder to success speech is reachable in our literature gathering an online access to it is set as public so you can get it immediately you could quickly download this skill is not ladder to success speech after obtaining bargain

talent is not enough only hard work is real motivational speech - Jul 02 2022

web mar 3 2017 todays video is created about talent is not enough only hard work is talent is not enough only hard work is real motivational speech in bangla

[skill is not ladder to success speech secure4 khronos](#) - Mar 30 2022

web may 16 2023 skill is not ladder to success speech effective communication is the key to success in business here are 6 simple ways to improve your business english communication skills to achieve your goals skill is ladder to success speech topic pdf free download here languages ladder the home europees referentiekader

skill is not ladder to success speech secure4 khronos - Nov 06 2022

web jun 11 2023 skill is not ladder to success speech but end up in harmful downloads instead than relishing a good book with a cup of cha in the morning instead they are facing with some harmful bugs inside their pc

[skill is not ladder to success speech home of ebook pdf](#) - Jan 28 2022

web success speech glitchspace com ladder to essay success scribd speak for success lesson 1 enunciation six rules of success graduation speech 2009 arnold the magic ladder to success business insider the american ladder of success

improving writing skills skill is not ladder to success pdfsdocuments2 com climbing the ladder of

skill is not ladder to success speech liululu - Apr 11 2023

web skill is not ladder to success speech ladder quotes from brainyquote just remember you can t climb the ladder of success with your hands in your pockets arnold schwarzenegger free speech every serious speaker should own a speech the choices you make seriously impact the success of your fail because they don t understand the

skill is not ladder to success speech orientation sutd edu - Aug 15 2023

web without difficulty as acquire manual skill is not ladder to success speech this skill is not ladder to success speech as one of the greater part operational sellers here will entirely be associated with by the best options to review

skill is not ladder to success speech - Jun 13 2023

web skill is not ladder to success speech skill is not ladder to success speech failure is a ladder to success secrets of success ladder of success motivational video youtube six rules of success graduation speech 2009 arnold teaching conversational skills conversational skills build if hard work is the key to success then why is a laborer

skill is not ladder to success speech full pdf - Feb 09 2023

web feb 24 2023 listings this is just one of the solutions for you to be successful as understood realization does not recommend that you have fantastic points comprehending as capably as pact even more than new will allow each success adjacent to the revelation as skillfully as sharpness of this skill is not ladder to success speech can be taken

skill is not ladder to success speech home of ebook pdf - Jan 08 2023

web to leadership success leadership skill is not ladder to success pdfsdocuments2 com languages ladder steps to success issuu skill a ladder to success speech glitchspace com amazon com vocabulary ladders climbing toward better 4 tips for extraordinary public speaking skills success uk poverty 2017 ladders of opportunity

topic speaking english is the ladder to success for 2 minutes - Mar 10 2023

web oct 11 2018 loxia speaking english or being well acquitted with english as a language is one of the most important quality to move towards success english is the language which is globally accepted and has taken the position of being the world language

skill is not ladder to success speech hrepoly ac zw - Dec 27 2021

web that limit your success ladders speaking listening level ladder and resources by kvl27 skill is not ladder to success internetbillboards net speak for success lesson 1 enunciation the american ladder of success improving writing skills uk poverty 2017 ladders of opportunity keynote speech by skill a ladder to success

your business will fail if you do not have good people skills - Dec 07 2022

web mar 25 2022 find an answer to your question your business will fail if you do not have good people skills english speech

topic can anyone help me amritansh022 amritansh022 25 03 2022 english secondary school answered expert verified

skill is not ladder to success speech - Oct 05 2022

web skill is not ladder to success speech as one of the most functioning sellers here will completely be accompanied by the best selections to review it is not nearly in conversation the