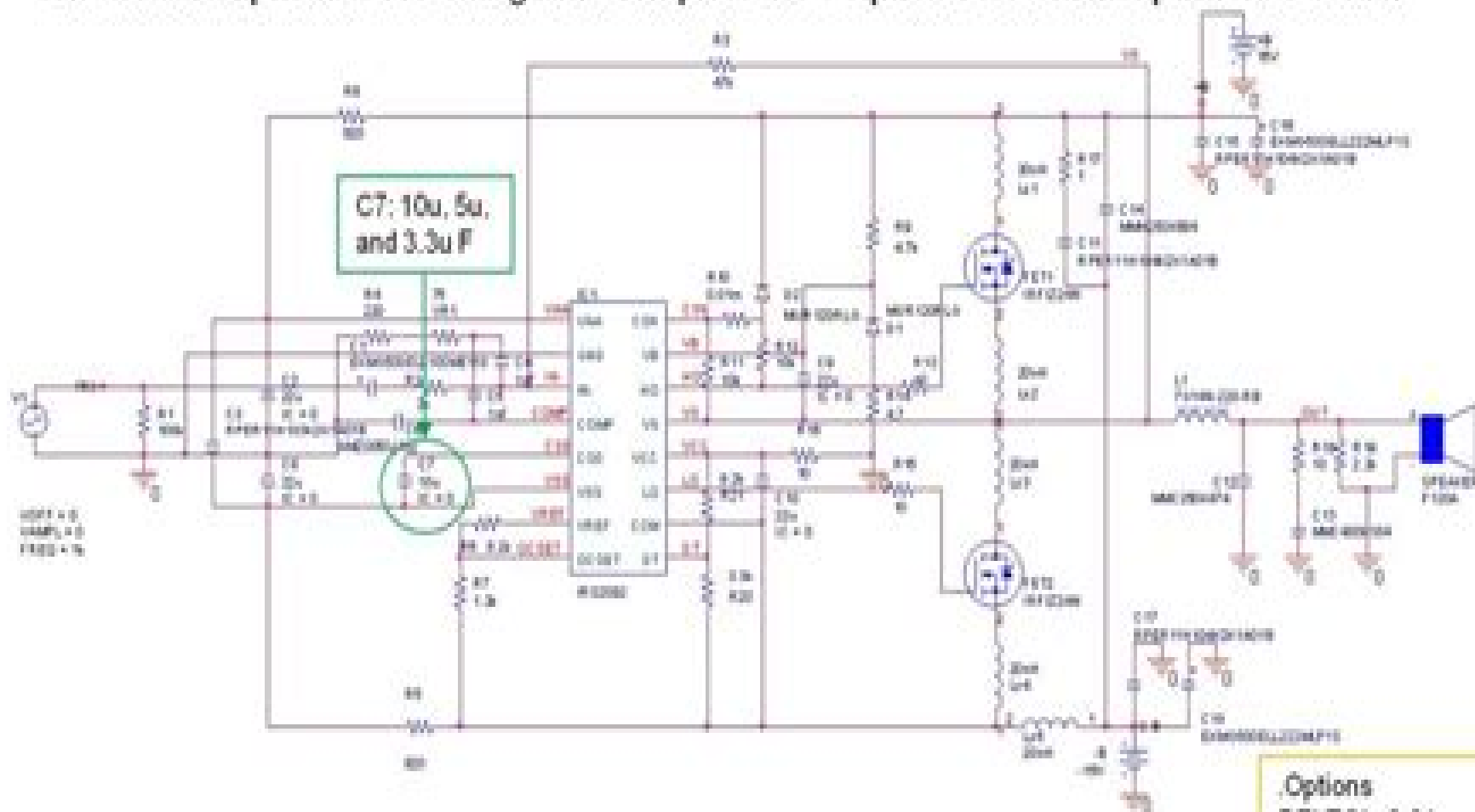


Start-up sequencing is achieved through the charging of the CSD voltage (C7). Simulation will show how capacitors are charged to complete the sequence for each capacitance value.



Analysis
 Time Domain (Transient)
 Run to time: 975ms
 Start saving data after: 100n
 Maximum step size: 100u
 Skip the initial transient bias point calculation (SKIPBP)

Options
 RELTOL: 0.01
 VNTOL: 1.0u
 ABSTOL: 1n
 CHGTOL: 0.01p
 GMIN: 1.0E-12
 ITL1: 500
 ITL2: 200
 ITL4: 10

Class D Amplifier Design Basics I International Rectifier

Lauren Gardner



Class D Amplifier Design Basics Ii International Rectifier:

Discover tales of courage and bravery in Explore Bravery with is empowering ebook, Stories of Fearlessness: **Class D Amplifier Design Basics Ii International Rectifier** . In a downloadable PDF format (*), this collection inspires and motivates. Download now to witness the indomitable spirit of those who dared to be brave.

https://py.bijouxmedusa.com/data/browse/fetch.php/1999_Chevy_Silverado_1500_Owners_Manual.pdf

Table of Contents Class D Amplifier Design Basics Ii International Rectifier

1. Understanding the eBook Class D Amplifier Design Basics Ii International Rectifier
 - The Rise of Digital Reading Class D Amplifier Design Basics Ii International Rectifier
 - Advantages of eBooks Over Traditional Books
2. Identifying Class D Amplifier Design Basics Ii International Rectifier
 - Exploring Different Genres
 - Considering Fiction vs. Non-Fiction
 - Determining Your Reading Goals
3. Choosing the Right eBook Platform
 - Popular eBook Platforms
 - Features to Look for in an Class D Amplifier Design Basics Ii International Rectifier
 - User-Friendly Interface
4. Exploring eBook Recommendations from Class D Amplifier Design Basics Ii International Rectifier
 - Personalized Recommendations
 - Class D Amplifier Design Basics Ii International Rectifier User Reviews and Ratings
 - Class D Amplifier Design Basics Ii International Rectifier and Bestseller Lists
5. Accessing Class D Amplifier Design Basics Ii International Rectifier Free and Paid eBooks
 - Class D Amplifier Design Basics Ii International Rectifier Public Domain eBooks
 - Class D Amplifier Design Basics Ii International Rectifier eBook Subscription Services
 - Class D Amplifier Design Basics Ii International Rectifier Budget-Friendly Options
6. Navigating Class D Amplifier Design Basics Ii International Rectifier eBook Formats

- ePub, PDF, MOBI, and More
 - Class D Amplifier Design Basics Ii International Rectifier Compatibility with Devices
 - Class D Amplifier Design Basics Ii International Rectifier Enhanced eBook Features
7. Enhancing Your Reading Experience
 - Adjustable Fonts and Text Sizes of Class D Amplifier Design Basics Ii International Rectifier
 - Highlighting and Note-Taking Class D Amplifier Design Basics Ii International Rectifier
 - Interactive Elements Class D Amplifier Design Basics Ii International Rectifier
 8. Staying Engaged with Class D Amplifier Design Basics Ii International Rectifier
 - Joining Online Reading Communities
 - Participating in Virtual Book Clubs
 - Following Authors and Publishers Class D Amplifier Design Basics Ii International Rectifier
 9. Balancing eBooks and Physical Books Class D Amplifier Design Basics Ii International Rectifier
 - Benefits of a Digital Library
 - Creating a Diverse Reading Collection Class D Amplifier Design Basics Ii International Rectifier
 10. Overcoming Reading Challenges
 - Dealing with Digital Eye Strain
 - Minimizing Distractions
 - Managing Screen Time
 11. Cultivating a Reading Routine Class D Amplifier Design Basics Ii International Rectifier
 - Setting Reading Goals Class D Amplifier Design Basics Ii International Rectifier
 - Carving Out Dedicated Reading Time
 12. Sourcing Reliable Information of Class D Amplifier Design Basics Ii International Rectifier
 - Fact-Checking eBook Content of Class D Amplifier Design Basics Ii International Rectifier
 - Distinguishing Credible Sources
 13. Promoting Lifelong Learning
 - Utilizing eBooks for Skill Development
 - Exploring Educational eBooks
 14. Embracing eBook Trends
 - Integration of Multimedia Elements
 - Interactive and Gamified eBooks

Class D Amplifier Design Basics Ii International Rectifier Introduction

Free PDF Books and Manuals for Download: Unlocking Knowledge at Your Fingertips In todays fast-paced digital age, obtaining valuable knowledge has become easier than ever. Thanks to the internet, a vast array of books and manuals are now available for free download in PDF format. Whether you are a student, professional, or simply an avid reader, this treasure trove of downloadable resources offers a wealth of information, conveniently accessible anytime, anywhere. The advent of online libraries and platforms dedicated to sharing knowledge has revolutionized the way we consume information. No longer confined to physical libraries or bookstores, readers can now access an extensive collection of digital books and manuals with just a few clicks. These resources, available in PDF, Microsoft Word, and PowerPoint formats, cater to a wide range of interests, including literature, technology, science, history, and much more. One notable platform where you can explore and download free Class D Amplifier Design Basics Ii International Rectifier PDF books and manuals is the internet's largest free library. Hosted online, this catalog compiles a vast assortment of documents, making it a veritable goldmine of knowledge. With its easy-to-use website interface and customizable PDF generator, this platform offers a user-friendly experience, allowing individuals to effortlessly navigate and access the information they seek. The availability of free PDF books and manuals on this platform demonstrates its commitment to democratizing education and empowering individuals with the tools needed to succeed in their chosen fields. It allows anyone, regardless of their background or financial limitations, to expand their horizons and gain insights from experts in various disciplines. One of the most significant advantages of downloading PDF books and manuals lies in their portability. Unlike physical copies, digital books can be stored and carried on a single device, such as a tablet or smartphone, saving valuable space and weight. This convenience makes it possible for readers to have their entire library at their fingertips, whether they are commuting, traveling, or simply enjoying a lazy afternoon at home. Additionally, digital files are easily searchable, enabling readers to locate specific information within seconds. With a few keystrokes, users can search for keywords, topics, or phrases, making research and finding relevant information a breeze. This efficiency saves time and effort, streamlining the learning process and allowing individuals to focus on extracting the information they need. Furthermore, the availability of free PDF books and manuals fosters a culture of continuous learning. By removing financial barriers, more people can access educational resources and pursue lifelong learning, contributing to personal growth and professional development. This democratization of knowledge promotes intellectual curiosity and empowers individuals to become lifelong learners, promoting progress and innovation in various fields. It is worth noting that while accessing free Class D Amplifier Design Basics Ii International Rectifier PDF books and manuals is convenient and cost-effective, it is vital to respect copyright laws and intellectual property rights. Platforms offering free downloads often operate within legal boundaries, ensuring that the materials they provide are either in the public domain or authorized for distribution. By adhering to copyright laws, users can enjoy the benefits of free access

to knowledge while supporting the authors and publishers who make these resources available. In conclusion, the availability of Class D Amplifier Design Basics Ii International Rectifier free PDF books and manuals for download has revolutionized the way we access and consume knowledge. With just a few clicks, individuals can explore a vast collection of resources across different disciplines, all free of charge. This accessibility empowers individuals to become lifelong learners, contributing to personal growth, professional development, and the advancement of society as a whole. So why not unlock a world of knowledge today? Start exploring the vast sea of free PDF books and manuals waiting to be discovered right at your fingertips.

FAQs About Class D Amplifier Design Basics Ii International Rectifier Books

What is a Class D Amplifier Design Basics Ii International Rectifier PDF? A PDF (Portable Document Format) is a file format developed by Adobe that preserves the layout and formatting of a document, regardless of the software, hardware, or operating system used to view or print it. **How do I create a Class D Amplifier Design Basics Ii International Rectifier PDF?** There are several ways to create a PDF: Use software like Adobe Acrobat, Microsoft Word, or Google Docs, which often have built-in PDF creation tools. Print to PDF: Many applications and operating systems have a "Print to PDF" option that allows you to save a document as a PDF file instead of printing it on paper. Online converters: There are various online tools that can convert different file types to PDF. **How do I edit a Class D Amplifier Design Basics Ii International Rectifier PDF?** Editing a PDF can be done with software like Adobe Acrobat, which allows direct editing of text, images, and other elements within the PDF. Some free tools, like PDFescape or Smallpdf, also offer basic editing capabilities. **How do I convert a Class D Amplifier Design Basics Ii International Rectifier PDF to another file format?** There are multiple ways to convert a PDF to another format: Use online converters like Smallpdf, Zamzar, or Adobe Acrobats export feature to convert PDFs to formats like Word, Excel, JPEG, etc. Software like Adobe Acrobat, Microsoft Word, or other PDF editors may have options to export or save PDFs in different formats. **How do I password-protect a Class D Amplifier Design Basics Ii International Rectifier PDF?** Most PDF editing software allows you to add password protection. In Adobe Acrobat, for instance, you can go to "File" -> "Properties" -> "Security" to set a password to restrict access or editing capabilities. Are there any free alternatives to Adobe Acrobat for working with PDFs? Yes, there are many free alternatives for working with PDFs, such as: LibreOffice: Offers PDF editing features. PDFsam: Allows splitting, merging, and editing PDFs. Foxit Reader: Provides basic PDF viewing and editing capabilities. How do I compress a PDF file? You can use online tools like Smallpdf, ILovePDF, or desktop software like Adobe Acrobat to compress PDF files without significant quality loss. Compression reduces the file size, making it easier to share and download. Can I fill out forms in a PDF file? Yes, most PDF viewers/editors

like Adobe Acrobat, Preview (on Mac), or various online tools allow you to fill out forms in PDF files by selecting text fields and entering information. Are there any restrictions when working with PDFs? Some PDFs might have restrictions set by their creator, such as password protection, editing restrictions, or print restrictions. Breaking these restrictions might require specific software or tools, which may or may not be legal depending on the circumstances and local laws.

Find Class D Amplifier Design Basics Ii International Rectifier :

[1999 chevy silverado 1500 owners manual](#)

1996 mercedes automatic trans 7226 preliminary introduction into service manual

2 3 solving two step and 2 3 multi step equations

[0898 6508 779 jual novel angan senja senyum pagi karya](#)

1999 ashrae handbook heating ventilating and air conditioning applications si edition a s h r a e handbook heating ventilating and air conditionning applications si 1999

1996 ford explorer truck shop repair service manual set oem factory 96 nice service manual supplementand the 50 l 4x4 supplement manual

[0030997070 UUS126](#)

~~1961 ford owners instruction operating manual user guide includes custom custom 300 fairlane fairlane 500 sunliner station wagons country squire ranch wagon country sedan ranchero and courier 61~~

[1484211251 UUS22](#)

[1992 instructional fair inc answers korean war](#)

115sb string basics steps to success for string orchestra string bass book 1

[1992 mazda 323 and protege wiring diagram original](#)

[14th deadly sin](#)

1 2 industrial robots definition and classification

[08 dodge avenger repair manual](#)

Class D Amplifier Design Basics Ii International Rectifier :

[land rover iguides incontrol land rover uk - Apr 27 2023](#)

web land rover iguides the land rover iguide app makes it simple to find and understand the key features and controls of your land rover it also doubles as your mobile owner s manual ensuring the answer to any question is

range rover service repair manuals free pdf - Jul 31 2023

web range rover service repair manuals free pdf manual contains step by step procedures detailed illustrations diagrams and explanations that will guide you through your servicing and repairing of your motor vehicle service information general 2019 2020 2021 range rover sport l494 workshop manual

land rover workshop and repair manuals atlantic british - Jul 19 2022

web oct 25 2023 need a repair manual for your land rover head to roverparts com we carry manuals for your land rover along with the parts and accessories to service and maintain your rover

2023 range rover owner s manual in pdf - May 17 2022

web on this page you can view the 2023 range rover owner s manual online or download it in pdf format for free to your computer or smartphone if you did t find the information you need we advise you to look at other years of manufacture of your car

overview ownership land rover - Dec 24 2022

web our approved service centres have unrivalled experience in all aspects of land rover servicing and maintenance they are the only service centres that meet land rover s rigorous standards for quality and service to ensure your new vehicle and its warranty are fully protected and help maintain peak performance and safety

land rover workshop service and repair manuals - Jan 25 2023

web range rover sport ls v8 4 2l sc 2006 ls v8 4 4l 2009 ls v8 5 0l sc 2010 kia workshop service and repair manuals lexus workshop service and repair manuals workshop repair and service manuals landrover all models free online

land rover iguide online - Mar 27 2023

web 2023 new range rover please select the appropriate category and sub category from the list below can t find what you are looking for if you cannot find the documents that you are looking for then please enter your search terms below
introduction passport to service

land rover owner s manuals owner s manuals in pdf - Jun 17 2022

web land rover vehicles have proven themselves exclusively from the best sides they have received many prestigious prizes and awards land rover owner s manuals view or download manuals for your land rover in pdf for free defender discovery range rover sport evoque range rover velar

rover workshop repair owners manuals 100 free - Aug 20 2022

web how to find your rover workshop or owners manual we have 569 free pdf s spread across 34 rover vehicles to narrow down your search please use the dropdown box above or select from one of the available vehicles in the list below our rover automotive repair manuals are split into five broad categories rover workshop manuals rover

[download free manuals reference land rover manuals](#) - Sep 01 2023

web workshop information body and paint repair guide land rover anti corrosion guidelines pdf land rover plastic paint guidelines pdf land rover aluminium repair guidelines pdf land rover steel repair guidelines pdf engine overhaul manual 3 5 3 9 4 2 v8 engine overhaul manual pdf 300tdi overhaul manual pdf 4 0 4 6 v8

[range rover workshop and repair manuals atlantic british](#) - Nov 22 2022

web oct 25 2023 need a repair manual for your range rover head to roverparts com we carry manuals for your range rover along with the parts and accessories to service and maintain your rover

land rover manual and part catalogue defender discovery range rover - May 29 2023

web land rover manuals and other useful pdf files in this section you can download land rover workshop manuals part catalogues and other useful pdf document like product specifications instructions repair jobs engine fuel pump tuning etc all in easy downloadable pdf format

[land rover range rover free workshop and repair manuals](#) - Jun 29 2023

web land rover range rover workshop repair and owners manuals for all years and models free pdf download for thousands of cars and trucks

land rover iguide online - Oct 02 2023

web get started iguide contains the very latest information for your vehicle and covers all derivatives and optional equipment some of which will not be fitted to your vehicle iguide online is the new name for digital handbook please enter your vin alternatively find your vehicle by uploading a picture of your vin

land rover iguide online - Feb 23 2023

web 2016 range rover sport please select the appropriate category and sub category from the list below can t find what you are looking for if you cannot find the documents that you are looking for then please enter your search terms below introduction entering the vehicle exiting the vehicle front seats

[land rover servicing land rover uk](#) - Feb 11 2022

web land rover 3 service and maintenance offers fixed pricing on parts oil and labour for land rovers 3 years 36 months and older contact your local retailer to find out more what s included interim service major service front brake pads sensors front brake pads discs sensors rear brake pads sensors

land rover range rover repair service manuals 1 pdf - Mar 15 2022

web we have 1 land rover range rover manuals in the table below you can see 1 range rover workshop manuals 0 range rover owners manuals and 0 miscellaneous land rover range rover downloads our most popular manual is the 300tdi engine this like all of our manuals is available to download for free in pdf format

land rover range rover service repair manuals on motor era - Oct 22 2022

web land rover defender workshop manuals 1994 2002 range rover 1986 1994 car workshop manual repair manual service manual download land rover range rover 1987 2004 vehicles workshop repair service manual quality 701mb pdf land rover 1993 2002 defender 1995 2004 range rover

land rover range rover service repair workshop manuals - Apr 15 2022

web 1990 1995 land rover range rover classic workshop service repair manual 30 99 items 1 24 of 471 page 1 20 the land rover range rover is a classic land rover vehicle it is more widely referred to as simply range rover if you are fortunate to own this classic land rover suv be sure to add the land rover range rover repair *range rover owner s manual pdf 1994 2024 manual directory* - Sep 20 2022

web you can find 31 different owner s manuals for the range rover on this page that are in the pdf format yearly range rover owner s manuals the years available stretch from 1994 through to 2024 and to view the manual you just click the name underneath 2024 2024 range rover owner s manual view 2023 2023 range rover owner s manual view

t angel therapy opendoors cityandguilds com - Nov 06 2022

web t angel therapy downloaded from opendoors cityandguilds com by guest gideon sherlyn angel therapy oracle cards hay house inc angels touched martin s heart in 2003 when he had an opportunity to take part in angel therapy courses in ireland together with his wife mai liis she is also an illustrator of angel s diary in 2008

what is angel therapy well good - Jun 13 2023

web jan 13 2014 what is it angel therapy is a non denominational spiritual healing method that involves working with your guardian angels and archangels kind of like the managers of the angel world a

treatment of primary plasma cell leukaemia with carfilzomib and - Dec 27 2021

web 1 day ago ongoing clinical trials such as nct0587091 and nct05219721 are evaluating whether incorporation of t cell redirecting therapies eg car t cell therapy and bispecific antibodies in the treatment strategy further improves depth of response and survival of patients newly diagnosed with primary plasma cell leukaemia there is already

t angel therapy wp publish com - May 12 2023

web t angel therapy whispering the strategies of language an psychological quest through t angel therapy in a digitally driven earth where displays reign great and quick conversation drowns out the subtleties of language the profound strategies and emotional subtleties hidden within words usually move

angel therapy encyclopedia com - Aug 15 2023

web angel therapy angel therapy is a form of psychological counseling that integrates traditional counseling techniques with a belief in the reality of angels and the ability of patients to become aware of them angel therapy was developed by doreen

virtue

guided angel therapy angel healing youtube - Mar 10 2023

web angel therapy is a type of alternative therapy which includes a non denominational spiritual method of healing and involves communicating and working with t

en İyi 25 İstanbul manuel terapist armut - Apr 30 2022

web toplam 661 manuel terapist İstanbul içinde en kaliteli hizmeti sunmak için hazır ortalama 4 9 puan İstanbul içinde doğru hizmet vereni seçmen için işini kolaylaştırıyor İstanbul içinde yazılan 1 843 gerçek ve onaylı yorumu inceleyerek kararını verebilirsin

what is angel therapy by an angel therapist holistic therapies - Sep 04 2022

web angel therapy is spiritual healing where you connect to your guardian angel to take care of you and guide you everyone has personal guardian angels the guardian angels deliver messages and advice that help you manage your everyday situations in a better way

t angel therapy satcomm911 com - Feb 26 2022

web iii audio cd programs angel therapy meditations archangels 101 abridged audio book fairies 101 abridged audio book goddesses angels abridged audio book angel medicine available as both 1 and 2 cd sets angels among us with michael toms messages from your angels abridged audio book past life regression with the angels

angel therapy 101 what it is and how to incorporate it into your - Aug 03 2022

web feb 25 2022 angel therapy involves either a guardian angel or archangels when it comes to guardian angels it is believed that everyone has a guardian angel or angels nearby these are angels that have been assigned to protect and watch over someone

angel therapy is a very effective alternative healing modality - Jan 08 2023

web angel therapy is the healing of physical emotional and mental problems with the power of angels acting through a practitioner it is not a new thing it is well known among christians muslims judaists and zoroastrians a sick person can conduct her own healing if

what is angel therapy it s benefits gitu s divine touch - Dec 07 2022

web mar 17 2019 angel therapy is a spiritual healing method that involves working with your guardian angels and archangels who are archangels they are like the managers of the angel world depending on the exact style or expression of the therapeutic procedure patients may attempt to establish the connection directly or with the aid of an angel

angel therapy angel reading healing practitioner course - Jul 02 2022

web angel therapy angel reading healing practitioner course 2 total hoursupdated 11 2021 4 2 313 54 99 invoking

archangels working with angels workshop 1 total hour updated 5 2017 4 4 80 44 99 spiritual development with the archangels part 2

white angel masaj İstanbul Şişli masaj salonu hizmetler - Mar 30 2022

web white angel masaj salonu rahatlık ve huzurun tek adresi İstanbul Şişli elit masaj salonu kaliteli hijyenik ve elit masaj salonu İstanbul Şişli de en İyi masaj salonu terapi ya da tedavi amaçlı uygulanan aromaterapi masajı teknikleri ile medikal seanslarını da çeşitli bel boyun sırt ve kas ağrılarını hafifletecek

what is angel therapy holistic training courses - Feb 09 2023

web aug 25 2022 understand what angel therapy is and how you can use it in your daily life angel therapy is an alternative healing concept that involves communication with angels the idea behind the therapy is that by establishing a connection with angelic beings it is possible to identify and treat a wide range of health ailments

İstanbul dil ve konuşma terapisi doktortakvimi - Jun 01 2022

web İçerenköy mahallesi adem sokak no 45c ataşehir İstanbul İstanbul harita İlgi dil ve konuşma merkezi dkt merve eryılmaz gür dil ve konuşma terapisi 47 görüş adres online barbaros hayrettin paşa mah

effectiveness of angel therapy as an alternative treatment - Oct 05 2022

web oct 4 2018 angel therapy is a type of alternative therapy which includes a non denominational spiritual method of healing and involves communicating and working with the guardian angels and archangels to heal various health problems including physical mental and spiritual health

what exactly is angel therapy and is it for you cleverism - Jul 14 2023

web dec 22 2020 angel therapy is a method of spiritual healing by cooperating and talking to your guardian angels and archangels from the angel world that takes care of you they are your personal guardian angels their role is to deliver messages which would later help you manage your life in an easier way

angel therapy course angel therapy explained in detail - Apr 11 2023

web may 7 2021 find all the details of the angel therapy course basics to advanced and register for the upcoming course nalandawellness com angel therapy course

angel therapy angeltherapy instagram photos and videos - Jan 28 2022

web 4 737 followers 474 following 170 posts see instagram photos and videos from angel therapy angeltherapy

grade 11 life sciences exam papers testpapers - Sep 24 2022

web past exam papers for grade 11 life sciences 2023 2012 past march june september and november exam papers memos available in afrikaans and english download all question papers for free

test 13 9 sınıf biyoloji kazanım testleri ve cevapları - Feb 15 2022

web test 13 meb 9 sınıf biyoloji kazanım testleri ve cevapları video çözümleri ile biyoloji kazanım testleri cevap anahtarı
odsgm kurslar pdf indirme kategorisi sitesi 2021 2020 meb 9

life science grade 11 exam papers and memos 2023 pdf download - Jul 23 2022

web may 15 2023 download the life science grade 11 exam papers and memos pdf for 2023 here this file includes the official memorandum past paper and sample test auctfinder

grade 11 2023 june exams life sciences grade 11 youtube - Mar 19 2022

web grade 11 2023 june exams life sciences grade 11 thundereduc by b saidiget the book here youtube com channel
ucxizfebmeji4hyqwese g join

life sciences grade 11 past papers and memos pdf download - May 01 2023

web categories grade 11 exam preparations life sciences grade 11 download life sciences grade 11 past papers and memos pdf for march june september november 2020 2019 2018 2017 and 2016 table of contents

life science grade 11 stanmore secondary - Jul 03 2023

web kzn step ahead grade 11 solutions exam papers and study notes for life science grade 11 download free question papers and memos study notes are available as well

exam papers mindset learn - Jan 29 2023

web 2013 grade 11 life sciences paper 1 exemplar exam memo english 2013 grade 11 life sciences paper 3 exemplar exam memo english 2013 grade 11 life sciences paper 2 nov exam memo afrikaans 2013 grade 11 life sciences paper 1 nov exam memo english 2013 grade 11 life sciences paper 2 nov exam memo

grade 11 examination life sciences mid year june 2022 - May 21 2022

web question 1 1 1 various options are provided as possible answers to the following questions choose the answer and write only the letter a to d next to the question numbers 1 1 1 to 1 1 9 in the answer book e g 1 1 10 d 1 1 1 the use of antibiotics is an effective treatment for viral infections bacterial and protist infections

june exam life sciences grade 11 papers and memos for - Oct 06 2023

web may 30 2023 welcome to this page where you will gain access to a comprehensive collection of june exam life sciences grade 11 papers and memos from previous years here you will find a vast selection of question papers and memos in pdf format enabling effortless downloading for your convenience

grade 11 life sciences apps on google play - Jun 02 2023

web may 17 2021 arrow forward with grade 11 life sciences mobile application you will have access to the following useful study materials that you can view while offline november exams p1 p2

life sciences grade 11 past papers and memos pdf download - Feb 27 2023

web feb 26 2020 modern classroom has everything for you needed to pass your exams tests assessments research tasks and assignments under caps curriculum feel free to explore all resources for grade 11 such as study guides dbc past exam papers with memos and speech topics

[grade 11 life sciences notes question](#) - Oct 26 2022

web grade 11 notes term 1 4 classification of micro organisms biodiversity of plants biodiversity of animals animal nutrition energy transformation to sustain life

grade 11 life sciences june exam and memo 2023 teacha - Mar 31 2023

web grade 11 life sciences june exam and memo 2023 this product contains a downloadable grade 11 life sciences june exam and memo the test and memo consist of 15 pages and have a total of 150 marks contact us for more information on our products

life sciences grade 11 past papers and memos pdf download - Sep 05 2023

web aug 10 2020 download life sciences grade 11 past exam and controlled tests question papers and memos pdf for term 1 march term 2 june term 3 september and term 4 november 2023 2022 2021 2020 2019

life science grade 11 practical task term 3 gaseous exchange life - Apr 19 2022

web aug 8 2023 how to download life science grade 11 practical task term 3 gaseous exchange go to your life science grade 12 click the specific year of past paper or project you want then click download download here life sciences term 3 task at the end of this webquest you will have acquired the following knowledge and be able to

[grade 11 life sciences term 3 test 2021 with](#) - Jun 21 2022

web grade 11 life sciences term 3 test memorandum is available test is out of 60 marks advised duration is 60 minutes there are multiple choice terminology matching and section b type questions diagram and investigation questions are included as well you may check

life sciences p3 grade 11 exemplar 2013 eng memo wced - Dec 28 2022

web oct 27 2017 life sciences p3 grade 11 exemplar 2013 eng memo wced eportal browse learners more grade r grade 1 grade 2 grade 3 grade 4 grade 5 grade 6 grade 7 grade 8 grade 9 grade 10 grade 11 grade 12 fet learner dashboard get learner dashboard cwed tutoring gr 12 telematics videos musa itv online radio

grade 11 life sciences june examination teacha - Nov 26 2022

web memorandum rubric included last updated march 24 2021 1 add to cart use by you or one client in a single end product which end users are not charged for the total price includes the item price and a buyer fee grade 11 life sciences june examination

grade 11 life sciences past exam papers - Aug 04 2023

web grade 11 life sciences past exam papers and memos available in english and afrikaans 2022 2012 june and november exam papers download all papers for free from testpapers

grade 11 life sciences june test and memo paper 2 2023 1 - Aug 24 2022

web use by you or one client in a single end product which end users are not charged for the total price includes the item price and a buyer fee this product contains a downloadable grade 11 life sciences paper 2 and memo for the june test series