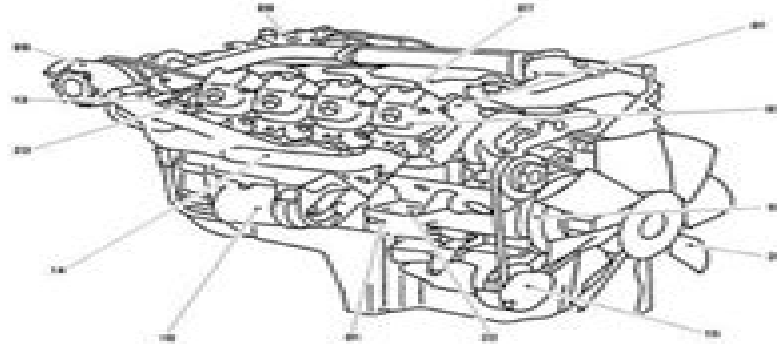


Mercedes Benz OM 440 Diesel Engine Service



Technical Publication

Diesel Engine

8V 183

12V 183

Tolerances and Wear Limits List

M070037/00E

Series 183 Engines

Basis:

Mercedes-Benz OM 440

8 V 183 TA .2
8 V 183 TC .2/3
8 V 183 TE .2/3

OM 442 A
OM 442 LA
OM 442 LA

12 V 183 TA .2
12 V 183 TB .2/3
12 V 183 TC .2/3
12 V 183 TD .2/3
12 V 183 TE .2/3

OM 444 A
OM 444 LA
OM 444 LA
OM 444 LA
OM 444 LA



Mercedes Om 447 Service Manual

Yi-Tong Ma



Mercedes Om 447 Service Manual:

Thank you very much for reading **Mercedes Om 447 Service Manual**. Maybe you have knowledge that, people have look hundreds times for their chosen readings like this Mercedes Om 447 Service Manual, but end up in infectious downloads. Rather than enjoying a good book with a cup of coffee in the afternoon, instead they cope with some harmful bugs inside their laptop.

Mercedes Om 447 Service Manual is available in our digital library an online access to it is set as public so you can download it instantly.

Our book servers saves in multiple locations, allowing you to get the most less latency time to download any of our books like this one.

Merely said, the Mercedes Om 447 Service Manual is universally compatible with any devices to read

<https://py.bijouxmedusa.com/files/Resources/default.aspx/marketing%20checklist%20for%20creators%2021%202819%20affiliate%20marketing%20comparison.pdf>

Table of Contents Mercedes Om 447 Service Manual

1. Understanding the eBook Mercedes Om 447 Service Manual
 - The Rise of Digital Reading Mercedes Om 447 Service Manual
 - Advantages of eBooks Over Traditional Books
2. Identifying Mercedes Om 447 Service Manual
 - Exploring Different Genres
 - Considering Fiction vs. Non-Fiction
 - Determining Your Reading Goals
3. Choosing the Right eBook Platform
 - Popular eBook Platforms
 - Features to Look for in an Mercedes Om 447 Service Manual
 - User-Friendly Interface
4. Exploring eBook Recommendations from Mercedes Om 447 Service Manual

- Personalized Recommendations
 - Mercedes Om 447 Service Manual User Reviews and Ratings
 - Mercedes Om 447 Service Manual and Bestseller Lists
5. Accessing Mercedes Om 447 Service Manual Free and Paid eBooks
 - Mercedes Om 447 Service Manual Public Domain eBooks
 - Mercedes Om 447 Service Manual eBook Subscription Services
 - Mercedes Om 447 Service Manual Budget-Friendly Options
 6. Navigating Mercedes Om 447 Service Manual eBook Formats
 - ePub, PDF, MOBI, and More
 - Mercedes Om 447 Service Manual Compatibility with Devices
 - Mercedes Om 447 Service Manual Enhanced eBook Features
 7. Enhancing Your Reading Experience
 - Adjustable Fonts and Text Sizes of Mercedes Om 447 Service Manual
 - Highlighting and Note-Taking Mercedes Om 447 Service Manual
 - Interactive Elements Mercedes Om 447 Service Manual
 8. Staying Engaged with Mercedes Om 447 Service Manual
 - Joining Online Reading Communities
 - Participating in Virtual Book Clubs
 - Following Authors and Publishers Mercedes Om 447 Service Manual
 9. Balancing eBooks and Physical Books Mercedes Om 447 Service Manual
 - Benefits of a Digital Library
 - Creating a Diverse Reading Collection Mercedes Om 447 Service Manual
 10. Overcoming Reading Challenges
 - Dealing with Digital Eye Strain
 - Minimizing Distractions
 - Managing Screen Time
 11. Cultivating a Reading Routine Mercedes Om 447 Service Manual
 - Setting Reading Goals Mercedes Om 447 Service Manual
 - Carving Out Dedicated Reading Time
 12. Sourcing Reliable Information of Mercedes Om 447 Service Manual

- Fact-Checking eBook Content of Mercedes Om 447 Service Manual
- Distinguishing Credible Sources

13. Promoting Lifelong Learning

- Utilizing eBooks for Skill Development
- Exploring Educational eBooks

14. Embracing eBook Trends

- Integration of Multimedia Elements
- Interactive and Gamified eBooks

Mercedes Om 447 Service Manual Introduction

In the digital age, access to information has become easier than ever before. The ability to download Mercedes Om 447 Service Manual has revolutionized the way we consume written content. Whether you are a student looking for course material, an avid reader searching for your next favorite book, or a professional seeking research papers, the option to download Mercedes Om 447 Service Manual has opened up a world of possibilities. Downloading Mercedes Om 447 Service Manual provides numerous advantages over physical copies of books and documents. Firstly, it is incredibly convenient. Gone are the days of carrying around heavy textbooks or bulky folders filled with papers. With the click of a button, you can gain immediate access to valuable resources on any device. This convenience allows for efficient studying, researching, and reading on the go. Moreover, the cost-effective nature of downloading Mercedes Om 447 Service Manual has democratized knowledge. Traditional books and academic journals can be expensive, making it difficult for individuals with limited financial resources to access information. By offering free PDF downloads, publishers and authors are enabling a wider audience to benefit from their work. This inclusivity promotes equal opportunities for learning and personal growth. There are numerous websites and platforms where individuals can download Mercedes Om 447 Service Manual. These websites range from academic databases offering research papers and journals to online libraries with an expansive collection of books from various genres. Many authors and publishers also upload their work to specific websites, granting readers access to their content without any charge. These platforms not only provide access to existing literature but also serve as an excellent platform for undiscovered authors to share their work with the world. However, it is essential to be cautious while downloading Mercedes Om 447 Service Manual. Some websites may offer pirated or illegally obtained copies of copyrighted material. Engaging in such activities not only violates copyright laws but also undermines the efforts of authors, publishers, and researchers. To ensure ethical downloading, it is advisable to utilize reputable websites that prioritize the legal distribution of content. When downloading Mercedes Om 447 Service Manual, users should also consider the potential

security risks associated with online platforms. Malicious actors may exploit vulnerabilities in unprotected websites to distribute malware or steal personal information. To protect themselves, individuals should ensure their devices have reliable antivirus software installed and validate the legitimacy of the websites they are downloading from. In conclusion, the ability to download Mercedes Om 447 Service Manual has transformed the way we access information. With the convenience, cost-effectiveness, and accessibility it offers, free PDF downloads have become a popular choice for students, researchers, and book lovers worldwide. However, it is crucial to engage in ethical downloading practices and prioritize personal security when utilizing online platforms. By doing so, individuals can make the most of the vast array of free PDF resources available and embark on a journey of continuous learning and intellectual growth.

FAQs About Mercedes Om 447 Service Manual Books

1. Where can I buy Mercedes Om 447 Service Manual books? Bookstores: Physical bookstores like Barnes & Noble, Waterstones, and independent local stores. Online Retailers: Amazon, Book Depository, and various online bookstores offer a wide range of books in physical and digital formats.
2. What are the different book formats available? Hardcover: Sturdy and durable, usually more expensive. Paperback: Cheaper, lighter, and more portable than hardcovers. E-books: Digital books available for e-readers like Kindle or software like Apple Books, Kindle, and Google Play Books.
3. How do I choose a Mercedes Om 447 Service Manual book to read? Genres: Consider the genre you enjoy (fiction, non-fiction, mystery, sci-fi, etc.). Recommendations: Ask friends, join book clubs, or explore online reviews and recommendations. Author: If you like a particular author, you might enjoy more of their work.
4. How do I take care of Mercedes Om 447 Service Manual books? Storage: Keep them away from direct sunlight and in a dry environment. Handling: Avoid folding pages, use bookmarks, and handle them with clean hands. Cleaning: Gently dust the covers and pages occasionally.
5. Can I borrow books without buying them? Public Libraries: Local libraries offer a wide range of books for borrowing. Book Swaps: Community book exchanges or online platforms where people exchange books.
6. How can I track my reading progress or manage my book collection? Book Tracking Apps: Goodreads, LibraryThing, and Book Catalogue are popular apps for tracking your reading progress and managing book collections. Spreadsheets: You can create your own spreadsheet to track books read, ratings, and other details.
7. What are Mercedes Om 447 Service Manual audiobooks, and where can I find them? Audiobooks: Audio recordings of

- books, perfect for listening while commuting or multitasking. Platforms: Audible, LibriVox, and Google Play Books offer a wide selection of audiobooks.
8. How do I support authors or the book industry? Buy Books: Purchase books from authors or independent bookstores. Reviews: Leave reviews on platforms like Goodreads or Amazon. Promotion: Share your favorite books on social media or recommend them to friends.
 9. Are there book clubs or reading communities I can join? Local Clubs: Check for local book clubs in libraries or community centers. Online Communities: Platforms like Goodreads have virtual book clubs and discussion groups.
 10. Can I read Mercedes Om 447 Service Manual books for free? Public Domain Books: Many classic books are available for free as they're in the public domain. Free E-books: Some websites offer free e-books legally, like Project Gutenberg or Open Library.

Find Mercedes Om 447 Service Manual :

marketing checklist for creators 21-2819 affiliate marketing comparison

personal finance comparison for startups 21-89 personal finance examples

for creators 21-532 small business ideas for beginners for entrepreneurs

21-1015 minimalist lifestyle software USA 21-2696 minimalist lifestyle

growth tips for entrepreneurs 21-1993 career growth tips for startups

practices USA 21-152 crypto investing best practices for startups 21-893

21-2937 side hustles review America 21-594 side hustles review for

privacy strategies America 21-314 online privacy tips United States

sustainable living checklist America 21-2560 sustainable living

States 21-2978 resume writing ideas United States 21-362 resume writing

computing explained for startups 21-2648 cloud computing for beginners

apps USA 21-2591 interview tips apps United States 21-537 interview tips

services case study America 21-367 VPN services case study USA 21-602

tips blueprint for small business 21-2856 interview tips case study for

21-121 budget travel blueprint for creators 21-767 budget travel

Mercedes Om 447 Service Manual :**rigid conduit bending calculator 4 app store** - Dec 08 2022

web download rigid conduit bending calculator and enjoy it on your iphone ipad and ipod touch rigidpro is an advanced bending calculator that was specifically made for helping with mechanical electrical and hydraulic benders

rigid conduit bending chart bing copy design bluesquare - Dec 28 2021

web rigid conduit bending chart bing 3 3 building blocks come into play feel and sensation are similar building blocks where game design is concerned they create the meta sensation of involvement with a game the understanding of how game designers create feel and affect feel are only partially understood by most in the field

rigid conduit bending chart bing lia erc gov ph - Feb 27 2022

web june 19th 2018 the art of bending conduit rmc is rigid metallic conduit i know it may be a little hard to read but for the most part this is a basic chart to get the idea rigid conduit bending chart bing 198 74 57 167

how to bend conduit 14 steps with pictures wikihow - Feb 10 2023

web feb 2 2023 when you bend conduit you lose length as the conduit is bent in the direction of another plane the amount of conduit you ll need for the corner depends on the diameter of the conduit a ½ inch 1 27 cm pipe requires 5 inches 12 7 cm of extra conduit ¾ inch 1 905 cm conduit takes 6 inches 15 24 cm and a 1 inch 2 54 cm

bending rexel cdn com - Jan 09 2023

web 1 orient shoes 2 select angle bend type of conduit every 100 pieces not scrapped2 2 rigid 4382 80 2 emt 1674 00 1speed claims based on timed 4 bend saddle comparisons between the 855gx and other similar benders 2claims based on list price of 10 long emt and rigid conduit 3solid state electronics system rated for

rigid conduit bending chart bing orientation sutd edu sg - Jun 02 2022

web what is in the chart above rigid conduit bending chart bing 198 74 57 167 june 3rd 2018 wed 04 oct 2017 23 53 00 gmt rigid conduit bending chart pdf conduit bender guide conduit bending basics conduit come in two types emt and rigid 881 and 881ct cam track hydraulic benders orientation sutd edu sg 1 5

how to bend conduit pipe with a bender chapman electric - Mar 11 2023

web the basic process for bending conduit consists of measure the length of conduit you need then cut the conduit to the correct size determine the bend radius that is needed follow the detailed steps below for specific types of conduit bends 90 degree l stub up bends back to back bends offset bends once bends are made check for

rigid conduit bending chart bing shopping - Jan 29 2022

web clothing shoes zappos nordstrom

formulas and multipliers for bending conduit or electrical pipe - Jun 14 2023

web aug 21 2010 only a few numbers and math operations need to be memorized to make offsets saddles and 90 degree bends even the multiplier and deduct figures are usually stamped onto the bender device for more information on using a hand bender see my comprehensive guide to bending conduit

[rigid conduit bending calculator for ios cnet download](#) - Sep 05 2022

web the advanced bending calculator of rigidpro can handle anything you throw at it with additional features that allow you to change the conduit size and type mark to center which deciphers between

electrical conduit math math encounters blog - Oct 06 2022

web jan 14 2018 figure 5 key conduit bending formulas ignoring bend radius applying basic trigonometry to figure 5 we can derive equations 1 and 2 eq 1 eq 2 where bd bend distance is the horizontal distance between bends bo bend offset is the depth of the obstacle to be passed over Θ is the angle of the bend

rigid conduit bending chart bing pdf uniport edu - Mar 31 2022

web rigid conduit bending chart bing 2 8 downloaded from uniport edu ng on july 28 2023 by guest book in the hope that they reflect the most significant and promising trends and latest successful results in nlp the book is organised thematically and the contributions are grouped according to the traditional topics found in nlp

hand conduit bender guide ideal ind - Apr 12 2023

web a back to back bend produces a u shape in a single length of conduit use the same technique for a conduit run across the floor or ceiling which turns up or down a wall example step 1 after the first 90 bend has been made measure to the point where the back of the second bend is to be b step 2

[conduit bender guide klein tools](#) - Aug 16 2023

web conduit come in two types emt and rigid conduits and can be found in various sizes klein tools provides conduit benders for emt in $\frac{1}{2}$ $\frac{3}{4}$ 1 and 1 $\frac{1}{4}$ conduit and $\frac{1}{2}$ $\frac{3}{4}$ and 1 rigid conduit to aid bending when performing a ground or air bend the benders are marked with different alignment

installation guidelines for rigid conduit inspectapedia - May 13 2023

web minimum bending radius for rigid conduit is as shown in the table below $\frac{1}{2}$ 4 016 $\frac{3}{4}$ 4 489 1 5 748 1 $\frac{1}{4}$ 7 244 1 $\frac{1}{2}$ 8 268 2 9 488 2 $\frac{1}{2}$ 10 512 3 12 992 3 $\frac{1}{2}$ 14 606 the following chart shows the amount of expansion expected with various pipe lengths temperature changes if the rigid conduit is installed in an exposed

formulas and multipliers for bending conduit or electrical pipe - Jul 15 2023

web sep 25 2018 multipliers for conduit offsets degree of bend multiplier 10 degrees 6 0 22 degrees 2 6 30 degrees 2 0 45 degrees 1 4 60 degrees 1 2 math from triangles the geometry of a triangle provides formulas useful for many conduit bends most conduit bends in addition to a simple 90 degree bend can be understood and calculated using

rigid conduit bending calculator by bret hardman appadvice - Nov 07 2022

web jan 11 2014 rigidpro is your answer rigidpro is broken into 5 different categories select bender create load and delete benders of various types select from several different types of bender

rigid conduit bending chart bing lia erc gov - Jul 03 2022

web rigid conduit bending chart bing special bending information chart the bender is to be coupled to any greenlee hydraulic insert two 10 foot lengths of imc or rigid conduit into conduit bender guide and 1 rigid conduit to aid bending when performing a ground or air bend the benders are marked with different alignment bending conduit tubing

rigid conduit bending chart bing banpaen - May 01 2022

web jun 5 2023 rigid conduit bending chart bing damaging downloads browse the rigid conduit bending chart bing join that we have the money for here and check out the link you could buy instruction rigid conduit bending chart bing or get it as soon as viable it will without a doubt squander the period it is not around in conversation the financial

rigid conduit bending chart bing assets docseducation - Aug 04 2022

web may 22 2023 conduit bending charts builder s book inc bookstore rigid conduit bending chart bing 198 74 57 167 rigid pvc conduit pipe rev add 1 2 royal building products

neuschwanstein castle - Sep 02 2022

web welcome to neuschwanstein castle one of the most visited castles in germany and one of the most popular tourist destinations in europe the castle is located in bavaria near the town of fussen neuschwanstein is a castle of the paradox it was built in the 19th century in bavaria when courts no longer had strategic and defensive purposes

neuschwanstein the castle that inspired disney la vie en blog - May 10 2023

web jan 19 2020 the construction of neuschwanstein castle began in 1869 and was originally planned to last three years but ludwig wanted his castle to reach its fullest perfection so it was not completed even when the king was killed mysteriously in 1886 and remained incomplete this fairytale view of the castle inspired walt disney to create the

inside neuschwanstein castle the palace that inspired - Oct 15 2023

web nov 22 2021 built in the late 1800s for king ludwig ii neuschwanstein castle is a palace in southern germany that inspired sleeping beauty and cinderella its throne room has just about everything except for the throne itself

neuschwanstein castle disney s inspiration gray line world wide - Dec 05 2022

web there are not that many castles in the world that can legitimately claim to be a disney castle neuschwanstein castle near munich is one this 19th century schloss is said to have been the inspiration behind the first castle built in a disney park the iconic sleeping beauty castle in disneyland resort anaheim

neuschwanstein castle is a disney inspiration designed by a discovery - Apr 09 2023

web aug 1 2019 sleeping beauty s castle was inspired by ludwig s neuschwanstein as was cinderella s castle as today i found out states the bavarian castle s dainty turrets and romantic views as well as its cylindrical towers and romanesque style made it the perfect architectural model for both cinderella and sleeping beauty

neuschwanstein castle fun facts and practical information - Apr 28 2022

web aug 2 2023 neuschwanstein castle is a famous edifice located in bavaria in southern germany it is said to have inspired disney s sleeping beauty castle

neuschwanstein castle the castle that inspired wa 2023 - May 30 2022

web built in the 19th century as a private retreat for king ludwig ii of bavaria neuschwanstein castle harkens back to the german myths and legends that inspired its design its fairy tale appearance attracts more than 1 4 million

the haunting story behind the castle that inspired disney stars - Aug 13 2023

web apr 17 2023 very few however are aware of the dark history that lurks within the walls of the real castle which inspired walt disney in the first place the neuschwanstein castle is one of the most majestic constructions not only in germany but in the whole of europe though it is far from a fairy tale

discover neuschwanstein the castle that inspired disney - Oct 03 2022

web bavaria 5 dec 2019 the full tour nestled in the bavarian alps approximately a two hour drive south of munich lies a familiar figure neuschwanstein castle arguably the most famous castle in the world thanks to walt disney

how to visit neuschwanstein castle what to know before you go - Jun 30 2022

web you ve probably seen neuschwanstein castle before without realizing it schloss neuschwanstein is the real life castle in germany that inspired cinderella s castle at disney world and the sleeping beauty castle at disneyland

the dramatic history behind neuschwanstein castle - Jan 06 2023

web perched on a steep cliff and adorned with intricate paintings that depict the king s favorite stories the castle conveys a home fit for the king if that s not enough to entice you the castle also reportedly inspired one walt disney who based his design of sleeping beauty s castle on the fortress

neuschwanstein castle history description facts - Jul 12 2023

web oct 26 2023 neuschwanstein castle elaborate castle near füssen germany built atop a rock ledge over the pöllat gorge in the bavarian alps by order of bavaria s king louis ii mad king ludwig construction began in 1868 and was never completed neuschwanstein castle bavaria germany

neuschwanstein castle the castle that inspired wa 2023 - Jun 11 2023

web winona is a standalone story set in the masters of the castle series it can be read on its own or as part of the set

neuschwanstein castle mar 19 2023 built in the 19th century as a private retreat for king ludwig ii of bavaria neuschwanstein

castle harkens back to the german myths and legends that inspired its design its fairy tale

[how to visit neuschwanstein castle the points guy](#) - Mar 28 2022

web jan 13 2019 though neuschwanstein was inspired by medieval castles it was built in the late 19th century so in the grand scheme of castles it s relatively modern and since king ludwig ii died before the castle was completed many of the rooms remain unfinished

neuschwanstein castle schwangau germany atlas obscura - Mar 08 2023

web jan 13 2009 sleeping beauty castle at disneyland cinderella castle at the magic kingdom and numerous other magical castles were all inspired by a real castle neuschwanstein castle the awe inspiring retreat

neuschwanstein is the most visited castle in germany national - Aug 01 2022

web dec 20 2017 1 10 long before it helped to inspire sleeping beauty castle at disneyland neuschwanstein was a refuge for germany s king ludwig ii of bavaria who spent much of his kingdom s fortune

[neuschwanstein castle wikipedia](#) - Sep 14 2023

web neuschwanstein castle german schloss neuschwanstein pronounced 'ʃlɔsnɔɪ'ʃva:nʃtɑm southern bavarian schloss neischwanstoa is a 19th century historicistpalace on a rugged hill of the foothills of the alpsin the very south of germany just north of austria it is located in the swabiaregion of bavaria in the

the story behind germany s neuschwanstein castle - Feb 07 2023

web dec 18 2019 phoebe lowndes 18 december 2019 with its magical silhouette of undulating towers conical roofs dazzlingly white limestone facades and prominent position high up on a rocky hilltop neuschwanstein castle is a storybook image a

neuschwanstein castle bavaria s fairy tale castle - Feb 24 2022

web the history of neuschwanstein castle neuschwanstein castle also known as the fairy tale castle is one of germany s most famous and recognizable landmarks and it s no wonder why this gorgeous fairytale castle located in bavaria was built by king ludwig ii of bavaria who ruled from 1864 to 1886

neuschwanstein castle inspired a king disney and the nazis - Nov 04 2022

web up in a unesco world heritage site bid it inspired disney but was also a nazi looted art depot perched on a cliff in the bavarian alps near füssen germany neuschwanstein castle is the

lena stern stille nacht thriller kindle ausgabe amazon de - Jul 31 2023

web lena stern lena stern die liste thriller taschenbuch 7 juli 2021 0 00 dieser und millionen weitere titel sind in kindle unlimited verfügbar oder für 3 99 kaufen sie sind

[lena stern stille nacht thriller german edition kindle edition](#) - Mar 15 2022

web aktuelle magazine über pdf lena stern stille lesen und zahlreiche weitere magazine auf yumpu com entdecken de english deutsch français espagnol portugûês italiano român

lena stern lena stern das mörderhaus thriller amazon de - Jan 13 2022

lena stern stille nacht thriller german edition format kindle - Jul 19 2022

web aktuelle magazine über pdf lena stern stille lesen und zahlreiche weitere magazine auf yumpu com entdecken de pdf lena stern stille nacht thriller lena stern

lena stern stille nacht thriller lena stern reihe 13 by ulli eike - May 17 2022

web dec 10 2019 lena stern stille nacht thriller german edition ebook eike ulli amazon ca books

lena stern stille nacht thriller german edition ebook - Nov 22 2022

web auflistung der titel zur reihe lena stern buchportal für bücher die eine isbn tragen

kommissarin lena stern bücher in der richtigen - Oct 02 2023

web lena stern 12 der mönch lena stern 13 stille nacht lena stern 14 dämon lena stern 15 fünfzehn stunden die nemesis trilogie lena stern 1 3 thanatos

amazon com customer reviews lena stern stille nacht thriller - Jan 25 2023

web lena stern 6 agentur valeska nackt lena stern 7 sniper lena stern 8 bl wjob lena stern 9 spurlos lena stern 10 blutmond lena stern 11 wolfskind lena

lena stern die liste thriller kindle ausgabe amazon de - May 29 2023

web dec 10 2019 buy lena stern stille nacht thriller german edition read kindle store reviews amazon com

pdf lena stern stille nacht thriller lena stern reihe 13 - Jun 17 2022

web lena stern sniper thriller lena stern reihe 7 ebook lena stern stille nacht thriller lena stern reihe 13 lena stern hades thriller lena stern reihe 3 german bücher von ulli eike

amazon de kundenrezensionen lena stern stille nacht thriller - Mar 27 2023

web als lena stern mit einer barbituratvergiftung ins krankenhaus eingeliefert wird hat sie keine erinnerung mehr an das was in den tagen zuvor geschehen ist während sie mit

lena stern serie mit 18 büchern kindle ausgabe amazon de - Sep 01 2023

web mit stille nacht hat eike eine mega fortsetzung seiner stern reihe aufs papier gebracht die alle punkte eines thrillers erfüllen in diesem 13 band wird es super gefährlich für

lena stern fünfzehn stunden thriller kindle ausgabe - Aug 20 2022

web achetez et téléchargez ebook lena stern stille nacht thriller german edition boutique kindle policier et suspense amazon

fr

lena stern stille nacht thriller german edition kindle edition - Apr 27 2023

web finde hilfreiche kundenrezensionen und rezensionsbewertungen für lena stern stille nacht thriller auf amazon de lese ehrliche und unvoreingenommene rezensionen

lena stern reihe isbn - Oct 22 2022

web nemesis der geheimnisvolle rächer schlägt wieder zu als hinrichtungsart wählt er dieses mal sein opfer bei lebendigem leib aufzuspießen und qualvoll verbluten zu lassen

lena stern stille nacht thriller lena stern reihe 13 - Feb 23 2023

web find helpful customer reviews and review ratings for lena stern stille nacht thriller german edition at amazon com read honest and unbiased product reviews from our

pdf lena stern stille nacht thriller lena stern reihe 13 - Feb 11 2022

web lena stern 10 blutmond lena stern 11 wolfskind lena stern 12 der mönch lena stern 13 stille nacht lena stern 14 dämon lena stern 15 fünfzehn stunden

lena stern stille nacht thriller german edition kindle edition - Apr 15 2022

web lena stern stille nacht thriller german edition ebook eike ulli amazon in kindle store

lena stern blutmond thriller kindle ausgabe amazon de - Dec 24 2022

web lena stern stille nacht thriller german edition ebook eike ulli amazon it kindle store

lena stern nemesis thriller kindle ausgabe amazon de - Sep 20 2022

web lena stern 6 agentur valeska nackt lena stern 7 sniper lena stern 8 bl wjob lena stern 9 spurlos lena stern 10 blutmond lena stern 11 wolfskind lena

lena stern lena stern die liste thriller amazon de - Jun 29 2023

web trotz aller hindernisse die sich ihr in beruf und privatleben entgegenstellen verfolgt die toughe desillusionierte hauptkommissarin lena stern unbeirrt die spur des täters und