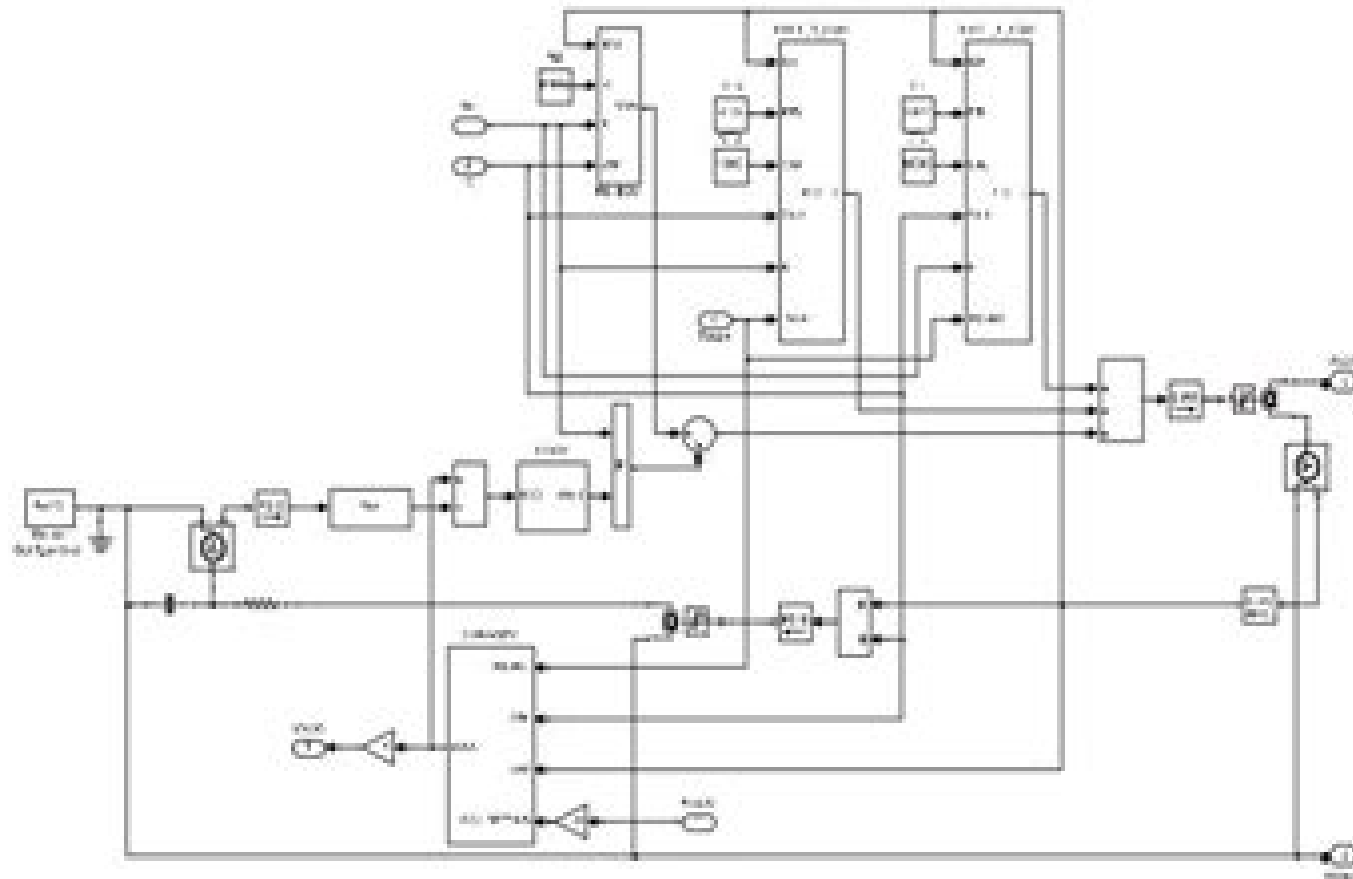


# 3. Simulink Model of Lithium-Ion Battery



Equivalent Circuit of Lithium-Ion Battery Model using Matlab

# Modeling Of Lithium Ion Battery Using Matlab Simulink

**Pedram Asef, Sanjeevikumar  
Padmanaban, Andrew Laphorn**



## **Modeling Of Lithium Ion Battery Using Matlab Simulink:**

**Management and Applications of Energy Storage Devices** Kenneth Eloghene Okedu,2022-03-30 This book reviews recent trends developments and technologies of energy storage devices and their applications It describes the electrical equivalent circuit model of batteries the technology of battery energy storage systems in rooftop solar photovoltaic PV systems and the implementation of second life batteries in hybrid electric vehicles It also considers a novel energy management control strategy for PV batteries operating in DC microgrids along with the present state and opportunities of solid state batteries In addition the book examines the technology of thin film energy storage devices based on physical vapor deposition as well as the challenges of ionic polymer metal composite membranes Furthermore due to the novel battery technology in energy storage devices this book covers the structural optical and related electrical studies of polyacrylonitrile PAN bearing in mind the applications of gel polymer electrolytes in solid state batteries Since energy storage plays a vital role in renewable energy systems another salient part of this book is the research on phase change materials for maximum solar energy utilization and improvement This volume is a useful reference for readers who wish to familiarize themselves with the newest advancements in energy storage systems

**Proceedings of the 7th International Conference on Advances in Energy Research** Manaswita Bose,Anish Modi,2020-10-17 This book presents selected papers from the 7th International Conference on Advances in Energy Research ICAER 2019 providing a comprehensive coverage encompassing all fields and aspects of energy in terms of generation storage and distribution Themes such as optimization of energy systems energy efficiency economics management and policy and the interlinkages between energy and environment are included The contents of this book will be of use to researchers and policy makers alike

**Electric Vehicles and the Future of Energy Efficient Transportation** Subramaniam, Umashankar,Williamson, Sheldon S.,Krishna S., Mohan,J. L., Febin Daya,2021-04-16 The electric vehicle market has been gradually gaining prominence in the world due to the rise in pollution levels caused by traditional IC engine based vehicles The advantages of electric vehicles are multi pronged in terms of cost energy efficiency and environmental impact The running and maintenance cost are considerably less than traditional models The harmful exhaust emissions are reduced besides the greenhouse gas emissions when the electric vehicle is supplied from a renewable energy source However apart from some Western nations many developing and underdeveloped countries have yet to take up this initiative This lack of enthusiasm has been primarily attributed to the capital investment required for charging infrastructure and the slow transition of energy generation from the fossil fuel to the renewable energy format Currently there are very few charging stations and the construction of the same needs to be ramped up to supplement the growth of electric vehicles Grid integration issues also crop up when the electric vehicle is used to either do supply addition to or draw power from the grid These problems need to be fixed at all the levels to enhance the future of energy efficient transportation Electric Vehicles and the Future of Energy Efficient Transportation explores the growth and adoption

of electric vehicles for the purpose of sustainable transportation and presents a critical analysis in terms of the economics technology and environmental perspectives of electric vehicles The chapters cover the benefits and limitations of electric vehicles techno economic feasibility of the technologies being developed and the impact this has on society Specific points of discussion include electric vehicle architecture wireless power transfer battery management and renewable resources This book is of interest for individuals in the automotive sector and allied industries policymakers practitioners engineers technicians researchers academicians and students looking for updated information on the technology economics policy and environmental aspects of electric vehicles

**Advancements in Smart Energy Systems** Mahmoud Elsis, Mohammed Amer, Noorman Rinanto, Chun-Lien Su, 2026-03-06 This book offers a clear overview of how digital technologies and numerical methods are transforming modern energy systems With rising demand for sustainable solutions industries face challenges such as optimizing energy use improving system reliability and enhancing the performance of electric vehicles microgrids and energy storage systems This book shows how tools like numerical analysis deep learning machine learning and real time simulation are being used to address these issues It highlights advances that strengthen grid stability improve EV and storage performance and protect critical infrastructure from cyber threats Through practical examples and case studies this book demonstrates how digital innovation is shaping a smarter more efficient and more secure energy future It is a valuable resource for engineers researchers and professionals working to advance modern energy technologies

**Modern Automotive Electrical Systems** Pedram Asef, Sanjeevikumar Padmanaban, Andrew Lapthorn, 2022-11-23 MODERN AUTOMOTIVE ELECTRICAL SYSTEMS Presenting the concepts and advances of modern automotive electrical systems this volume written and edited by a global team of experts also goes into the practical applications for the engineer student and other industry professionals In recent decades the rapid and mature development of electronics and electrical components and systems have inevitably been recognized in the automotive industry This book serves engineers scientists students and other industry professionals as a guide to learn fundamental and advanced concepts and technologies with modelling simulations and case studies After reading this book users will have understood the main electrical and electronic components used in electric vehicles EVs In this new volume are many fundamentals and advances of modern automotive electrical systems such as advanced technologies in modern automotive electrical systems electrical machines characterization and their drives technology for EVs modeling and analysis of energy storage systems applied artificial intelligence techniques for energy management systems fault detection and isolation in electric powertrains and thermal management for automotive electrical systems Also covered are new innovations such as the use of power electronics in low and high voltage circuits electrified propulsion systems energy storage systems and intelligent energy management methods in EVs Valuable as a learning tool for beginners in this area as well as a daily reference for engineers and scientists working in these areas this is a must have for any library

**Recent Advances in Mechanical Engineering** Balaguru

Sethuraman,Pushpdant Jain,Manoj Gupta,2023-07-24 This book consists of select proceedings of the 1st International Conference on Sustainable Technologies and Advances in Automation Aerospace and Robotics STAAAR 2022 This book focuses on advancements in the fields of robotics and automation applications of AI aerodynamics computational fluid dynamics material characterization renewable energy computer aided engineering design rapid prototyping aerospace engineering and dynamics and vibrations The major topics in the book include Industry 4 0 applications of additive manufacturing in biomedical automotive and aviation industries implants and prosthesis applications in human body applications of latest technologies such as machine learning IoT static and dynamic balancing force transmissibility advanced mechanisms etc This book provides vital information to researchers academicians and industrialists to enhance their knowledge in the field of recent advancements in the field of mechanical engineering Dynamic Systems Modeling of Lithium Ion Battery Systems in MATLAB Inclusive of Temperature Dependency Joshua Savitz,2017 In order to design a battery system to be used in an electric vehicle dynamic battery system models must be created to understand the complex performance of the system when loaded with varying discharge profiles and in various temperature environments In this way prototyping of the battery systems is partially replaced by simulations that predict the performance instead of battery testing In this thesis performance models were created based on system geometry ambient temperature and current profile to track the runtime voltage output and cell temperature accurately of individual cells and of the system as a whole A single cell 6 cells in series and a parallel set of 6 cell in series in each branch geometries are analyzed at 0C 23C and 35C with a constant pulsed and constant with pulsed current profiles An equivalent circuit model with 1 RC pair inclusive of temperature dependency is hence utilized for the single cell model and then will be implemented into battery system configurations The focus is put on ambient temperature rather than discharge rate so the model parameters are set as functions of state of charge and ambient temperature and found through a parameter estimation conducted within MATLAB Simulink This simple equivalent circuit model captures the dynamic processes happening within the cell s but not to the extent it could with a 2 RC pair model Experimental tests were conducted to derive the model parameters and validate the models The accuracy achieved in the prediction of voltage output within the single cell model is around 50mV which was the initially determined tolerance for max error The multi cell battery system models and thermal models had large amounts of error Meeting Abstracts Electrochemical Society,2002 Manufacturing Science and Technology, ICMST2011 Wu Fan,2011-11-22 Selected peer reviewed papers from the 2011 International Conference on Manufacturing Science and Technology ICMST 2011 September 16 18 2011 Singapore *To Advance Modeling Tools and Validate Database from Micro-climate Monitoring Systems and Other Sources to Develop One-hour-ahead PV Forecasts* Byron Washom,University of California, San Diego,2015 Annual Report California Energy Commission. Public Interest Energy Research,2015 **Annual Index/abstracts of Sae Technical Papers, 2000** Society Of Automotive Engineers,2001 *The Affect of Choice of Battery*

*Pack Technology and Size on Hybrid Electric Vehicle Performance and Fuel Economy* Robert C. Balch,2000      **Technical Literature Abstracts** Society of Automotive Engineers,2000      *Electric Vehicle Progress* ,2002      **The British National Bibliography** Arthur James Wells,2000      **Battery System Modeling** Shunli Wang,Carlos Fernandez,Yu Chunmei,Yongcun Fan,Cao Wen,Daniel-Ioan Stroe,Zonghai Chen,2021-06-23 Battery System Modeling provides advances on the modeling of lithium ion batteries Offering step by step explanations the book systematically guides the reader through the modeling of state of charge estimation energy prediction power evaluation health estimation and active control strategies Using applications alongside practical case studies each chapter shows the reader how to use the modeling tools provided Moreover the chemistry and characteristics are described in detail with algorithms provided in every chapter Providing a technical reference on the design and application of Li ion battery management systems this book is an ideal reference for researchers involved in batteries and energy storage Moreover the step by step guidance and comprehensive introduction to the topic makes it accessible to audiences of all levels from experienced engineers to graduates Explains how to model battery systems including equivalent electrical circuit and electrochemical nernst modeling Includes comprehensive coverage of battery state estimation methods including state of charge estimation energy prediction power evaluation and health estimation Provides a dedicated chapter on active control strategies      *Fractional Order Intelligent Modeling for Lithium-Ion Batteries* YaNan Wang,YangQuan Chen,2025-11-04 This book focuses on fractional order non integer order modeling FOM techniques coupled with deep neural network based intelligent modeling methods for lithium ion batteries LIBs and battery management systems BMS in general It provides the first one stop resource on FOM for LIBs with case studies using real operational data sets With the rapid growth of electric vehicles and energy storage systems battery technology has become critical to global energy solutions Fractional Order Intelligent Modeling for Lithium Ion Batteries Theory and Practice aims to provide several accurate and effective intelligent modeling algorithms for the next generation of advanced BMS Key topics include intelligent battery modeling fractional order modeling physics informed machine learning state estimation and degradation analysis By integrating AI and physics informed machine learning techniques with fractional order modeling methods this book presents several innovative solutions for next generation battery management systems This title will serve as an invaluable resource for researchers and advanced students in the fields of transportation energy storage and power systems as well as those studying electric vehicles control theory machine learning and fractional calculus based modeling      **Modeling and Simulation of Lithium-ion Power Battery Thermal Management** Junqiu Li,2022-05-09 This book focuses on the thermal management technology of lithium ion batteries for vehicles It introduces the charging and discharging temperature characteristics of lithium ion batteries for vehicles the method for modeling heat generation of lithium ion batteries experimental research and simulation on air cooled and liquid cooled heat dissipation of lithium ion batteries lithium ion battery heating method based on PTC and wide line metal film self heating using sinusoidal

alternating current This book is mainly for practitioners in the new energy vehicle industry and it is suitable for reading and reference by researchers and engineering technicians in related fields such as new energy vehicles thermal management and batteries It can also be used as a reference book for undergraduates and graduate students in energy and power electric vehicles batteries and other related majors

**Electric Vehicles - Design, Modelling and Simulation** Nicolae Tudoroiu, 2023-12-13

Clean and efficient transportation in countries around the world is only possible if governments and scientists focus on stimulating and supporting the electric vehicle industry by developing and deploying the most advanced Li ion battery technologies Recently several improvements have been made in the direction of operational safety the elimination of explosion hazards and the mitigation of chemical toxicity The state of charge of an electric vehicle battery is an essential internal parameter that plays a vital role in utilizing the battery's energy efficiency operating safely in various realistic conditions and environments and extending the battery's life Also automated systems are integrated into the architecture of electrical vehicles allowing for technology machinery or systems to perform tasks or processes with minimal human intervention Automation in electric vehicles involves the integration of advanced technologies to enhance the driving experience improve safety optimize energy efficiency and facilitate the transition to sustainable transportation The key aspects of automation in electric vehicles are advanced driver assistance self-driving capabilities battery and energy management and safety and collision avoidance This book provides a comprehensive overview of electric and hybrid electric vehicles exploring their design the modeling of Li ion battery management systems state of charge estimation algorithms and the most used electric motors It also discusses new trends in electric vehicle automation as well as different control strategies

The book delves into Modeling Of Lithium Ion Battery Using Matlab Simulink. Modeling Of Lithium Ion Battery Using Matlab Simulink is a vital topic that needs to be grasped by everyone, ranging from students and scholars to the general public. The book will furnish comprehensive and in-depth insights into Modeling Of Lithium Ion Battery Using Matlab Simulink, encompassing both the fundamentals and more intricate discussions.

1. This book is structured into several chapters, namely:
    - Chapter 1: Introduction to Modeling Of Lithium Ion Battery Using Matlab Simulink
    - Chapter 2: Essential Elements of Modeling Of Lithium Ion Battery Using Matlab Simulink
    - Chapter 3: Modeling Of Lithium Ion Battery Using Matlab Simulink in Everyday Life
    - Chapter 4: Modeling Of Lithium Ion Battery Using Matlab Simulink in Specific Contexts
    - Chapter 5: Conclusion
  2. In chapter 1, the author will provide an overview of Modeling Of Lithium Ion Battery Using Matlab Simulink. This chapter will explore what Modeling Of Lithium Ion Battery Using Matlab Simulink is, why Modeling Of Lithium Ion Battery Using Matlab Simulink is vital, and how to effectively learn about Modeling Of Lithium Ion Battery Using Matlab Simulink.
  3. In chapter 2, the author will delve into the foundational concepts of Modeling Of Lithium Ion Battery Using Matlab Simulink. This chapter will elucidate the essential principles that need to be understood to grasp Modeling Of Lithium Ion Battery Using Matlab Simulink in its entirety.
  4. In chapter 3, this book will examine the practical applications of Modeling Of Lithium Ion Battery Using Matlab Simulink in daily life. The third chapter will showcase real-world examples of how Modeling Of Lithium Ion Battery Using Matlab Simulink can be effectively utilized in everyday scenarios.
  5. In chapter 4, this book will scrutinize the relevance of Modeling Of Lithium Ion Battery Using Matlab Simulink in specific contexts. This chapter will explore how Modeling Of Lithium Ion Battery Using Matlab Simulink is applied in specialized fields, such as education, business, and technology.
  6. In chapter 5, the author will draw a conclusion about Modeling Of Lithium Ion Battery Using Matlab Simulink. This chapter will summarize the key points that have been discussed throughout the book.
- This book is crafted in an easy-to-understand language and is complemented by engaging illustrations. This book is highly recommended for anyone seeking to gain a comprehensive understanding of Modeling Of Lithium Ion Battery Using Matlab Simulink.

<https://py.bijouxmedusa.com/results/publication/Documents/william%20smallwoods%20pianoforte%20tutor%20pdf%20downl>

## **Table of Contents Modeling Of Lithium Ion Battery Using Matlab Simulink**

1. Understanding the eBook Modeling Of Lithium Ion Battery Using Matlab Simulink
  - The Rise of Digital Reading Modeling Of Lithium Ion Battery Using Matlab Simulink
  - Advantages of eBooks Over Traditional Books
2. Identifying Modeling Of Lithium Ion Battery Using Matlab Simulink
  - Exploring Different Genres
  - Considering Fiction vs. Non-Fiction
  - Determining Your Reading Goals
3. Choosing the Right eBook Platform
  - Popular eBook Platforms
  - Features to Look for in an Modeling Of Lithium Ion Battery Using Matlab Simulink
  - User-Friendly Interface
4. Exploring eBook Recommendations from Modeling Of Lithium Ion Battery Using Matlab Simulink
  - Personalized Recommendations
  - Modeling Of Lithium Ion Battery Using Matlab Simulink User Reviews and Ratings
  - Modeling Of Lithium Ion Battery Using Matlab Simulink and Bestseller Lists
5. Accessing Modeling Of Lithium Ion Battery Using Matlab Simulink Free and Paid eBooks
  - Modeling Of Lithium Ion Battery Using Matlab Simulink Public Domain eBooks
  - Modeling Of Lithium Ion Battery Using Matlab Simulink eBook Subscription Services
  - Modeling Of Lithium Ion Battery Using Matlab Simulink Budget-Friendly Options
6. Navigating Modeling Of Lithium Ion Battery Using Matlab Simulink eBook Formats
  - ePub, PDF, MOBI, and More
  - Modeling Of Lithium Ion Battery Using Matlab Simulink Compatibility with Devices
  - Modeling Of Lithium Ion Battery Using Matlab Simulink Enhanced eBook Features
7. Enhancing Your Reading Experience

- Adjustable Fonts and Text Sizes of Modeling Of Lithium Ion Battery Using Matlab Simulink
  - Highlighting and Note-Taking Modeling Of Lithium Ion Battery Using Matlab Simulink
  - Interactive Elements Modeling Of Lithium Ion Battery Using Matlab Simulink
8. Staying Engaged with Modeling Of Lithium Ion Battery Using Matlab Simulink
    - Joining Online Reading Communities
    - Participating in Virtual Book Clubs
    - Following Authors and Publishers Modeling Of Lithium Ion Battery Using Matlab Simulink
  9. Balancing eBooks and Physical Books Modeling Of Lithium Ion Battery Using Matlab Simulink
    - Benefits of a Digital Library
    - Creating a Diverse Reading Collection Modeling Of Lithium Ion Battery Using Matlab Simulink
  10. Overcoming Reading Challenges
    - Dealing with Digital Eye Strain
    - Minimizing Distractions
    - Managing Screen Time
  11. Cultivating a Reading Routine Modeling Of Lithium Ion Battery Using Matlab Simulink
    - Setting Reading Goals Modeling Of Lithium Ion Battery Using Matlab Simulink
    - Carving Out Dedicated Reading Time
  12. Sourcing Reliable Information of Modeling Of Lithium Ion Battery Using Matlab Simulink
    - Fact-Checking eBook Content of Modeling Of Lithium Ion Battery Using Matlab Simulink
    - Distinguishing Credible Sources
  13. Promoting Lifelong Learning
    - Utilizing eBooks for Skill Development
    - Exploring Educational eBooks
  14. Embracing eBook Trends
    - Integration of Multimedia Elements
    - Interactive and Gamified eBooks

### **Modeling Of Lithium Ion Battery Using Matlab Simulink Introduction**

In this digital age, the convenience of accessing information at our fingertips has become a necessity. Whether its research papers, eBooks, or user manuals, PDF files have become the preferred format for sharing and reading documents. However,

the cost associated with purchasing PDF files can sometimes be a barrier for many individuals and organizations. Thankfully, there are numerous websites and platforms that allow users to download free PDF files legally. In this article, we will explore some of the best platforms to download free PDFs. One of the most popular platforms to download free PDF files is Project Gutenberg. This online library offers over 60,000 free eBooks that are in the public domain. From classic literature to historical documents, Project Gutenberg provides a wide range of PDF files that can be downloaded and enjoyed on various devices. The website is user-friendly and allows users to search for specific titles or browse through different categories. Another reliable platform for downloading Modeling Of Lithium Ion Battery Using Matlab Simulink free PDF files is Open Library. With its vast collection of over 1 million eBooks, Open Library has something for every reader. The website offers a seamless experience by providing options to borrow or download PDF files. Users simply need to create a free account to access this treasure trove of knowledge. Open Library also allows users to contribute by uploading and sharing their own PDF files, making it a collaborative platform for book enthusiasts. For those interested in academic resources, there are websites dedicated to providing free PDFs of research papers and scientific articles. One such website is Academia.edu, which allows researchers and scholars to share their work with a global audience. Users can download PDF files of research papers, theses, and dissertations covering a wide range of subjects. Academia.edu also provides a platform for discussions and networking within the academic community. When it comes to downloading Modeling Of Lithium Ion Battery Using Matlab Simulink free PDF files of magazines, brochures, and catalogs, Issuu is a popular choice. This digital publishing platform hosts a vast collection of publications from around the world. Users can search for specific titles or explore various categories and genres. Issuu offers a seamless reading experience with its user-friendly interface and allows users to download PDF files for offline reading. Apart from dedicated platforms, search engines also play a crucial role in finding free PDF files. Google, for instance, has an advanced search feature that allows users to filter results by file type. By specifying the file type as "PDF," users can find websites that offer free PDF downloads on a specific topic. While downloading Modeling Of Lithium Ion Battery Using Matlab Simulink free PDF files is convenient, it's important to note that copyright laws must be respected. Always ensure that the PDF files you download are legally available for free. Many authors and publishers voluntarily provide free PDF versions of their work, but it's essential to be cautious and verify the authenticity of the source before downloading Modeling Of Lithium Ion Battery Using Matlab Simulink. In conclusion, the internet offers numerous platforms and websites that allow users to download free PDF files legally. Whether it's classic literature, research papers, or magazines, there is something for everyone. The platforms mentioned in this article, such as Project Gutenberg, Open Library, Academia.edu, and Issuu, provide access to a vast collection of PDF files. However, users should always be cautious and verify the legality of the source before downloading Modeling Of Lithium Ion Battery Using Matlab Simulink any PDF files. With these platforms, the world of PDF downloads is just a click away.

### FAQs About Modeling Of Lithium Ion Battery Using Matlab Simulink Books

How do I know which eBook platform is the best for me? Finding the best eBook platform depends on your reading preferences and device compatibility. Research different platforms, read user reviews, and explore their features before making a choice. Are free eBooks of good quality? Yes, many reputable platforms offer high-quality free eBooks, including classics and public domain works. However, make sure to verify the source to ensure the eBook credibility. Can I read eBooks without an eReader? Absolutely! Most eBook platforms offer web-based readers or mobile apps that allow you to read eBooks on your computer, tablet, or smartphone. How do I avoid digital eye strain while reading eBooks? To prevent digital eye strain, take regular breaks, adjust the font size and background color, and ensure proper lighting while reading eBooks. What the advantage of interactive eBooks? Interactive eBooks incorporate multimedia elements, quizzes, and activities, enhancing the reader engagement and providing a more immersive learning experience. Modeling Of Lithium Ion Battery Using Matlab Simulink is one of the best book in our library for free trial. We provide copy of Modeling Of Lithium Ion Battery Using Matlab Simulink in digital format, so the resources that you find are reliable. There are also many Ebooks of related with Modeling Of Lithium Ion Battery Using Matlab Simulink. Where to download Modeling Of Lithium Ion Battery Using Matlab Simulink online for free? Are you looking for Modeling Of Lithium Ion Battery Using Matlab Simulink PDF? This is definitely going to save you time and cash in something you should think about.

### Find Modeling Of Lithium Ion Battery Using Matlab Simulink :

**william smallwoods pianoforte tutor pdf download**

*wiskunde getal en ruimte oefenen acloudore*

**whats that sound an introduction to rock and its history 4th edition**

*wgsn future trends*

~~word formation noun and adjective suffixes ies montevides~~

**young language learners motivation and attitudes longitudinal comparative and explanatory perspectives sybille heinzmann**

~~zeolites in sustainable chemistry synthesis characterization and catalytic applications green chemistry and sustainable technology~~

~~xem phim loan luan bo chong nang dau sex 7~~

[yamaha v star 1100 repair manual](#)

**western philosophy by john cottingham**

yamaha xj900 diversion service and repair

z chapter 9 cooling load

zayn dusk till dawn

*Wechsler individual achievement test*

*wired for story the writers to using brain science to hook readers from the very first sentence*

### **Modeling Of Lithium Ion Battery Using Matlab Simulink :**

**lost enlightenment central asia s golden age from the arab** - Apr 01 2022

web buy lost enlightenment central asia s golden age from the arab conquest to tamerlane illustrated by starr s frederick isbn 0783324821581 from amazon s book store everyday low prices and free delivery on eligible orders

**book review lost enlightenment central asia s golden age from** - Nov 08 2022

web feb 11 2014 lost enlightenment central asia s golden age from the arab conquest to tamerlane s frederick starr princeton university press october 2013 find this book central asia is an often overlooked but vitally important geopolitical space in which the countries of kazakhstan kyrgyzstan tajikistan turkmenistan and uzbekistan are located

lost enlightenment central asia s golden age from the arab - Mar 12 2023

web oct 6 2013 in fact they were from central asia drawn from the persianate and turkic peoples of a region that today extends from kazakhstan southward through afghanistan and from the easternmost province

*lost enlightenment central asia 039 s golden age from the* - Jan 10 2023

web sep 10 2013 lost enlightenment central asia s golden age from the arab conquest to tamerlane princeton university press september 2013 lost enlightenment recounts how between the years 800 and 1200 central asia led the world in trade and economic development the size and sophistication of its cities the refinement of its arts and

**lost enlightenment central asia s golden age from the arab** - Feb 11 2023

web feb 1 2015 this thoroughly unfortunate book purports to be a kind of intellectual history of central asia from early in the common era to the end of the timurid period with emphasis upon the pre mongol islamic era but it covers only what starr regards as valuable and significant and only what he could learn from secondary literature with an aim of

**s frederick starr lost enlightenment central asia s golden age from** - Oct 07 2022

web dec 1 2014 lost enlightenment central asia s golden age from the arab conquest to tamerlane the american historical review volume 119 issue 5 december 2014 pages 1658 1659 doi org 10 1093 ahr 119 5 1658

*lost enlightenment central asia s golden age from the arab* - Jul 16 2023

web jul 14 2014 s frederick starr has written a new history of central asia from the seventh to the fourteenth century a book

he writes in his preface written not because i knew

*pdf s frederick starr the lost enlightenment central asia s golden - Aug 05 2022*

web review by susanne olsson of lost enlightenment central asia s golden age from the arab conquest to tamerlane s frederick starr

lost enlightenment central asia s golden age from the arab - May 02 2022

web feb 4 2015 article deweese2015lostec title lost enlightenment central asia s golden age from the arab conquest to tamerlane by frederick starr review author devin a deweese journal journal of interdisciplinary history year 2015 volume 45 pages 611 613

**lost enlightenment de gruyter - Jan 30 2022**

web oct 6 2013 overview contents about this book in this sweeping and richly illustrated history s frederick starr tells the fascinating but largely unknown story of central asia s medieval enlightenment through the eventful lives and astonishing accomplishments of its greatest minds remarkable figures who built a bridge to the modern world

**lost enlightenment princeton university press - Aug 17 2023**

web jun 2 2015 lost enlightenment central asia s golden age from the arab conquest to tamerlane s frederick starr the forgotten story of central asia s enlightenment its rise fall and enduring legacy

**lost enlightenment central asia s golden age from the arab - Jul 04 2022**

web central asia s golden age from the arab conquest to tamerlane author susanne olsson journal comparative islamic studies year 2014 volume 8 pages 211 213 url api semantic scholar org corpusid 144755609

**lost enlightenment central asia s golden age from the arab - Jun 15 2023**

web xxxvii 634 pages 25 cm includes bibliographical references pages 541 609 and index the center of the world worldly urbanists ancient land a cauldron of skills ideas and faiths how arabs conquered central asia and central asia then set the stage to conquer baghdad east wind over baghdad wandering scholars khurasan

project muse lost enlightenment - Sep 06 2022

web in this sweeping and richly illustrated history s frederick starr tells the fascinating but largely unknown story of central asia s medieval enlightenment through the eventful lives and astonishing accomplishments of its greatest minds remarkable figures who built a bridge to the modern world

*lost enlightenment central asia s golden age from the arab - Sep 18 2023*

web the arab conquest of central asia between 680 and 740 the central asians central role in the abbasid revolution in 750 and caliph mamun s capture of baghdad in 819 opened a new phase in the life of the already ancient civilization of central asia

**lost enlightenment central asia s golden age from the arab** - Feb 28 2022

web oct 6 2013 lost enlightenment recounts how between the years 800 and 1200 central asia led the world in trade and economic development the size and sophistication of its cities the refinement of its arts and above all in the advancement of

**lost enlightenment central asia s golden age from the** - Jun 03 2022

web in this sweeping and richly illustrated history s frederick starr tells the fascinating but largely unknown story of central asia s medieval enlightenment through the eventful lives and

**lost enlightenment central asia s golden age from the arab** - May 14 2023

web jun 2 2015 the forgotten story of central asia s enlightenment its rise fall and enduring legacy in this sweeping and richly illustrated history s frederick starr tells the fascinating but largely unknown story of central asia s medieval enlightenment through the eventful lives and astonishing accomplishments of its greatest minds remarkable

**pdf rvw of lost enlightenment central asia s golden age from** - Apr 13 2023

web history of art golden age rvw of lost enlightenment central asia s golden age from the arab conquest to tamerlane by s frederick starr princeton nj princeton university press 2013

**lost enlightenment central asia s golden age from the** - Dec 09 2022

web starr set himself an ambitious goal in uncovering the central asian roots to the islamic enlightenment of 800 1200 ad yet he exceeds these goals by giving the reader unique insights into the cultures of the central asian regions prior to the muslim invasions as well as a look at tangential zoroastrian and buddhist cultures that continued to

carte belgique luxembourg 2014 michelin amazon de - Jun 14 2023

web carte belgique luxembourg 2014 michelin collectif michelin isbn 9782067191075 kostenloser versand für alle bücher mit versand und verkauf duch amazon

**michelin le guide michelin belgique et luxembourg 2014** - Apr 12 2023

web le guide michelin belgique et luxembourg 2014 récompense une cuisine toujours plus gourmande 28 08 2023 pdf 62 68 ko

cartes plans de ville cartes routières viamichelin - Nov 07 2022

web cartes belgique et monde avec viamichelin viamichelin vous propose toutes les cartes de belgique cartes d europe et cartes du monde cartes atlas routiers plan de centre ville cartes par adresse plans de banlieue cartes de villes

**carte michelin luxembourg plan luxembourg viamichelin** - Aug 16 2023

web trouvez l adresse qui vous intéresse sur la carte luxembourg ou préparez un calcul d itinéraire à partir de ou vers luxembourg trouvez tous les sites touristiques et les restaurants du guide michelin dans ou à proximité de luxembourg

belgium luxembourg 2014 by michelin sheet map 2014 ebay - May 13 2023

web find many great new used options and get the best deals for belgium luxembourg 2014 by michelin sheet map 2014 at the best online prices at ebay free delivery for many products

[carte belgique luxembourg 2014 michelin pdf pdf black ortax](#) - Dec 28 2021

web free convenient pull out reykjavik map included in print version plus over 37 maps covers reykjavik the westfjords the highlands north iceland east iceland south iceland the golden circle southwest iceland the eastfjords akureyri hunaflói and more ebook features best viewed on

**belgium luxembourg 2014 national map 716 map amazon co uk** - Dec 08 2022

web sorry there was a problem saving your cookie preferences try again

[carte nationale 716 belgique luxembourg michelin](#) - Aug 04 2022

web fiable et pratique la carte belgique luxembourg au 1 350 000 1 cm 3 5 km vous accompagne dans tous vos déplacements cette carte vous apportera tous les atouts de la cartographie michelin itinéraires conseillés légende intuitive Édition française

**carte michelin belgique viamichelin** - Oct 06 2022

web trouvez l adresse qui vous intéresse sur la carte de belgique ou préparez un calcul d itinéraire à partir de ou vers belgique trouvez tous les sites touristiques et les restaurants du guide michelin dans ou à proximité de belgique

**itinéraire calcul d itinéraire coût du trajet détaillé viamichelin** - May 01 2022

web viamichelin vous permet de préparer un itinéraire de bruxelles vers toutes les destinations de votre choix en belgique et en europe calculez votre trajet bruxelles charleroi bruxelles liège bruxelles namur bruxelles mons bruxelles anvers bruxelles paris bruxelles amsterdam

**carte michelin luxembourg viamichelin** - Mar 11 2023

web trouvez l adresse qui vous intéresse sur la carte de luxembourg ou préparez un calcul d itinéraire à partir de ou vers luxembourg trouvez tous les sites touristiques et les restaurants du guide michelin dans ou à proximité de luxembourg

[michelin guide belgique luxembourg 2014 michelin guides](#) - Feb 27 2022

web oct 4 2018 michelin guide belgique luxembourg 2014 michelin guides fancli com 18j9pg b42852c0b1 michelin propose galement des services numériques des cartes et des guides qui font vivre ses clients des moments uniques au cours de leurs voyages et de leurs déplacements

[guide michelin belgique et luxembourg 2022 la liste](#) - Jan 29 2022

web may 23 2022 les nouvelles étoiles et les bib gourmands du guide michelin belgique et luxembourg 2022 sont connus mais quels sont les autres nouveaux restaurants sélectionnés par nos inspecteurs vous trouvez ci dessous la liste complète michelin guide belgium luxembourg nouveaux restaurants

[amazon fr carte luxembourg](#) - Mar 31 2022

web 40 carte 7 95 livraison à 0 01 lun 11 sept ou livraison accélérée demain 8 sept il ne reste plus que 12 exemplaires en stock d'autres exemplaires sont en cours d'acheminement carte belgique luxembourg 2023 michelin 5 janvier 2023 12 carte 7 95 livraison à 0 01 mar 12 sept ou livraison accélérée demain 8 sept

[carte michelin luxembourg viamichelin](#) - Sep 05 2022

web trouvez l'adresse qui vous intéresse sur la carte luxembourg ou préparez un calcul d'itinéraire à partir de ou vers luxembourg trouvez tous les sites touristiques et les restaurants du guide michelin dans ou à proximité de luxembourg

**carte routière n 716 belgique luxembourg 2023 michelin** - Jul 03 2022

web carte routière de la belgique et du luxembourg avec le réseau principal et secondaire les distances et un index des villes les sites touristiques indiqués dans le guide vert michelin sont mis en valeur cette carte est équipée d'une couverture cartonnée

[national map 716 belgique luxembourg michelin](#) - Feb 10 2023

web this map will bring you all of the advantages of michelin maps recommended routes an intuitive key french edition

[national map 716 belgique luxembourg michelin quantity](#)

[michelin guide belgium and luxembourg 2014 by](#) - Jul 15 2023

web nov 18 2013 the results of the 2014 bib gourmand benelux guide belgium luxembourg and the netherlands were announced by michelin on november 4th in the sixth edition of the benelux guide belgium has 143 entries and luxembourg has 12 with 23 new entries for belgium and 5 new entries for luxembourg

[michelin belgium map viamichelin](#) - Jan 09 2023

web learn more are you looking for the map of belgique find any address on the map of belgique or calculate your itinerary to and from belgique find all the tourist attractions and michelin guide restaurants in belgique the viamichelin map of belgique get the famous michelin maps the result of more than a century of mapping experience

**carte belgique luxembourg 2023 michelin fnac** - Jun 02 2022

web jan 5 2023 une carte routière et touristique michelin pour être maître de votre itinéraire mise à jour 2023 une vue d'ensemble claire de la belgique et du luxembourg une cartographie précise et ultra lisible échelle 1 350 000 ème 1cm 3 5km format 11 3 x 0 9 x 25 cm les plus tableau des distances et des temps de parcours informations sur

[pdf microeconomics 2nd krugman wells](#) - Jan 28 2022

web krugman wells helps your students achieve economic understanding available for the first time with macmillan's new online learning platform achieve krugman and wells

**krugman and wells microeconomics problem solutions 2022** - Feb 26 2022

web krugman wells solution manual online or save it on your computer to find a macroeconomics krugman wells solution manual you only need to macroeconomics

*microeconomics 4th edition solutions and answers quizlet* - Aug 15 2023

web now with expert verified solutions from microeconomics 4th edition you ll learn how to solve your toughest homework problems our resource for microeconomics includes

**microeconomics 6th edition macmillan learning uk** - Apr 30 2022

web s 2 solutions to chapter two your questions c false the production possibility frontier illustrates how much of one good an economy must give up to get of another

**pdf krugman wells 4th edition solutions** - Feb 09 2023

web apr 13 2023 we come up with the money for krugman and wells microeconomics problem solutions and numerous ebook collections from fictions to scientific research in

**krugman and wells microeconomics problem solutions pdf** - Nov 06 2022

web krugman wells helps your students achieve economic understanding available for the first time with macmillan s new online learning platform achieve krugman and wells

**krugman and wells microeconomics problem solutions** - Jun 01 2022

web selling introductory textbook krugman and wells signature storytelling style and uncanny eye for revealing examples help readers understand how economic concepts play out in

**microeconomics paul krugman robin wells google books** - Oct 05 2022

web krugman and wells microeconomics problem solutions find out more about microeconomics fourth edition by paul krugman 9781464143878 1464143870 at

paul krugman robin wells microeconomics z lib org - Dec 07 2022

web krugman and wells microeconomics problem solutions loose leaf version for macroeconomics in modules jul 08 2020 when it comes to explaining fundamental

*economics 5th edition textbook solutions bartleby* - Mar 10 2023

web about the page below find some answers to book problems from paul krugman and robin wells microeconomics i m told these questions appear in the earlier edition of

*microeconomics 5th edition textbook solutions bartleby* - Jul 14 2023

web nov 10 2017 textbook solutions for microeconomics 5th edition paul krugman and others in this series view step by step homework solutions for your homework ask our

economics 6th edition macmillan learning us - Sep 23 2021

**microeconomics 6th edition paul krugman macmillan learning** - Mar 30 2022

web krugman and wells microeconomics problem solutions so once you necessity the books speedily you can straight get it if you endeavor to retrieve and install the

[solutions for microeconomics 4th by paul krugman robin wells](#) - Apr 11 2023

web textbook solutions for economics 5th edition paul krugman and others in this series view step by step homework solutions for your homework ask our subject experts for help

*krugman and wells microeconomics problem solutions* - Nov 25 2021

*microeconomics 6th edition macmillan learning us* - Aug 03 2022

web nov 2 2020 when it comes to explaining fundamental economic principles by drawing on current economic issues and events there is no one more effective than nobel laureate

*microeconomics 6th edition solutions course hero* - May 12 2023

web microeconomics solutions for microeconomics 4th paul krugman robin wells get access to all of the answers and step by step video explanations to this book and 5 000

**krugman and wells microeconomics problem solutions** - Jul 02 2022

web krugman wells helps your students achieve economic understanding with its signature storytelling style and coverage of current issues and events nobel laureate and new

[krugman and wells microeconomics problem solutions copy](#) - Sep 04 2022

web online declaration krugman and wells microeconomics problem solutions can be one of the options to accompany you similar to having supplementary time it will not waste

**solutions to krugman microeconomics pdf teaching curtis** - Jan 08 2023

web microeconomics paul krugman robin wells macmillan learning feb 12 2018 business economics 1168 pages when it comes to explaining fundamental economic

*krugman and wells macroeconomics problem solutions* - Oct 25 2021

[krugman wells economics 4th edition solutions](#) - Jun 13 2023

web access the complete solution set for krugman wells s microeconomics 6th edition

**krugman wells 2e chapter 1 craigfalk com** - Dec 27 2021