

6. Pry the camshaft gear, 3, away from the thrust plate, 4, using a pry bar, 1. Use a dial indicator or feeler gauges, 2, to measure the clearance. Replace the gears if the camshaft end play exceeds the specified limits, see "Specifications Service Standards" in this section.

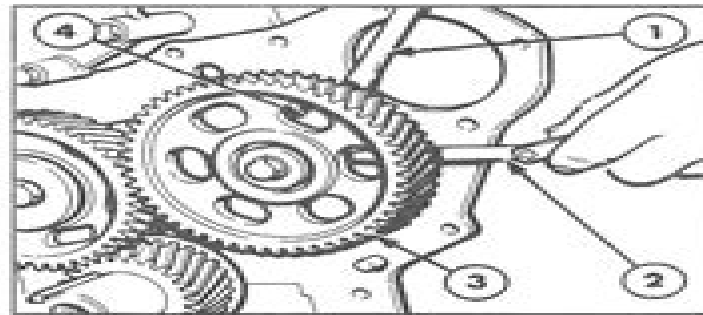


Figure 2-62

7. Remove the fuel injection pump drive gear, camshaft drive gear and adapter, and the camshaft gear. Use Tool No. FNH02134, puller, with FNH01237, adapter, 1, to remove the crankshaft gear.

NOTE: The crankshaft gear should only be removed if it shows signs of wear.

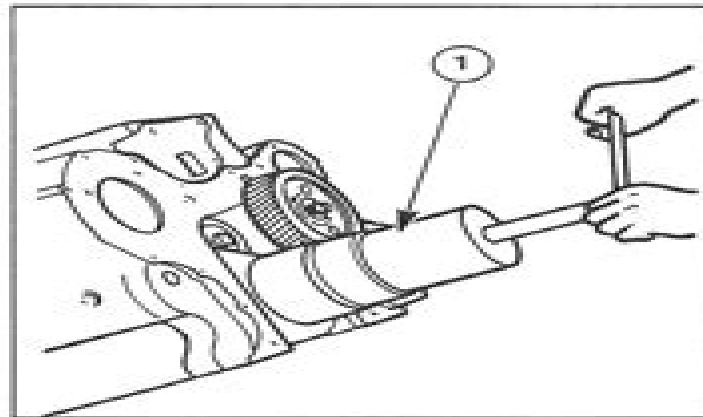


Figure 2-63

New Holland Diesel Injection Pump Timing

David Baud



New Holland Diesel Injection Pump Timing:

Ignite the flame of optimism with Get Inspired by is motivational masterpiece, Find Positivity in **New Holland Diesel Injection Pump Timing** . In a downloadable PDF format (*), this ebook is a beacon of encouragement. Download now and let the words propel you towards a brighter, more motivated tomorrow.

https://py.bijouxmedusa.com/About/publication/fetch.php/business_44_2580_weight_loss_tips_usa_44_1029_weight_loss_tips_f_or_small.pdf

Table of Contents New Holland Diesel Injection Pump Timing

1. Understanding the eBook New Holland Diesel Injection Pump Timing
 - The Rise of Digital Reading New Holland Diesel Injection Pump Timing
 - Advantages of eBooks Over Traditional Books
2. Identifying New Holland Diesel Injection Pump Timing
 - Exploring Different Genres
 - Considering Fiction vs. Non-Fiction
 - Determining Your Reading Goals
3. Choosing the Right eBook Platform
 - Popular eBook Platforms
 - Features to Look for in a New Holland Diesel Injection Pump Timing
 - User-Friendly Interface
4. Exploring eBook Recommendations from New Holland Diesel Injection Pump Timing
 - Personalized Recommendations
 - New Holland Diesel Injection Pump Timing User Reviews and Ratings
 - New Holland Diesel Injection Pump Timing and Bestseller Lists
5. Accessing New Holland Diesel Injection Pump Timing Free and Paid eBooks
 - New Holland Diesel Injection Pump Timing Public Domain eBooks
 - New Holland Diesel Injection Pump Timing eBook Subscription Services
 - New Holland Diesel Injection Pump Timing Budget-Friendly Options

6. Navigating New Holland Diesel Injection Pump Timing eBook Formats
 - ePub, PDF, MOBI, and More
 - New Holland Diesel Injection Pump Timing Compatibility with Devices
 - New Holland Diesel Injection Pump Timing Enhanced eBook Features
7. Enhancing Your Reading Experience
 - Adjustable Fonts and Text Sizes of New Holland Diesel Injection Pump Timing
 - Highlighting and Note-Taking New Holland Diesel Injection Pump Timing
 - Interactive Elements New Holland Diesel Injection Pump Timing
8. Staying Engaged with New Holland Diesel Injection Pump Timing
 - Joining Online Reading Communities
 - Participating in Virtual Book Clubs
 - Following Authors and Publishers New Holland Diesel Injection Pump Timing
9. Balancing eBooks and Physical Books New Holland Diesel Injection Pump Timing
 - Benefits of a Digital Library
 - Creating a Diverse Reading Collection New Holland Diesel Injection Pump Timing
10. Overcoming Reading Challenges
 - Dealing with Digital Eye Strain
 - Minimizing Distractions
 - Managing Screen Time
11. Cultivating a Reading Routine New Holland Diesel Injection Pump Timing
 - Setting Reading Goals New Holland Diesel Injection Pump Timing
 - Carving Out Dedicated Reading Time
12. Sourcing Reliable Information of New Holland Diesel Injection Pump Timing
 - Fact-Checking eBook Content of New Holland Diesel Injection Pump Timing
 - Distinguishing Credible Sources
13. Promoting Lifelong Learning
 - Utilizing eBooks for Skill Development
 - Exploring Educational eBooks
14. Embracing eBook Trends
 - Integration of Multimedia Elements

- Interactive and Gamified eBooks

New Holland Diesel Injection Pump Timing Introduction

Free PDF Books and Manuals for Download: Unlocking Knowledge at Your Fingertips In today's fast-paced digital age, obtaining valuable knowledge has become easier than ever. Thanks to the internet, a vast array of books and manuals are now available for free download in PDF format. Whether you are a student, professional, or simply an avid reader, this treasure trove of downloadable resources offers a wealth of information, conveniently accessible anytime, anywhere. The advent of online libraries and platforms dedicated to sharing knowledge has revolutionized the way we consume information. No longer confined to physical libraries or bookstores, readers can now access an extensive collection of digital books and manuals with just a few clicks. These resources, available in PDF, Microsoft Word, and PowerPoint formats, cater to a wide range of interests, including literature, technology, science, history, and much more. One notable platform where you can explore and download free New Holland Diesel Injection Pump Timing PDF books and manuals is the internet's largest free library. Hosted online, this catalog compiles a vast assortment of documents, making it a veritable goldmine of knowledge. With its easy-to-use website interface and customizable PDF generator, this platform offers a user-friendly experience, allowing individuals to effortlessly navigate and access the information they seek. The availability of free PDF books and manuals on this platform demonstrates its commitment to democratizing education and empowering individuals with the tools needed to succeed in their chosen fields. It allows anyone, regardless of their background or financial limitations, to expand their horizons and gain insights from experts in various disciplines. One of the most significant advantages of downloading PDF books and manuals lies in their portability. Unlike physical copies, digital books can be stored and carried on a single device, such as a tablet or smartphone, saving valuable space and weight. This convenience makes it possible for readers to have their entire library at their fingertips, whether they are commuting, traveling, or simply enjoying a lazy afternoon at home. Additionally, digital files are easily searchable, enabling readers to locate specific information within seconds. With a few keystrokes, users can search for keywords, topics, or phrases, making research and finding relevant information a breeze. This efficiency saves time and effort, streamlining the learning process and allowing individuals to focus on extracting the information they need. Furthermore, the availability of free PDF books and manuals fosters a culture of continuous learning. By removing financial barriers, more people can access educational resources and pursue lifelong learning, contributing to personal growth and professional development. This democratization of knowledge promotes intellectual curiosity and empowers individuals to become lifelong learners, promoting progress and innovation in various fields. It is worth noting that while accessing free New Holland Diesel Injection Pump Timing PDF books and manuals is convenient and cost-effective, it is vital to respect copyright laws and intellectual property rights. Platforms offering free

downloads often operate within legal boundaries, ensuring that the materials they provide are either in the public domain or authorized for distribution. By adhering to copyright laws, users can enjoy the benefits of free access to knowledge while supporting the authors and publishers who make these resources available. In conclusion, the availability of New Holland Diesel Injection Pump Timing free PDF books and manuals for download has revolutionized the way we access and consume knowledge. With just a few clicks, individuals can explore a vast collection of resources across different disciplines, all free of charge. This accessibility empowers individuals to become lifelong learners, contributing to personal growth, professional development, and the advancement of society as a whole. So why not unlock a world of knowledge today? Start exploring the vast sea of free PDF books and manuals waiting to be discovered right at your fingertips.

FAQs About New Holland Diesel Injection Pump Timing Books

1. Where can I buy New Holland Diesel Injection Pump Timing books? Bookstores: Physical bookstores like Barnes & Noble, Waterstones, and independent local stores. Online Retailers: Amazon, Book Depository, and various online bookstores offer a wide range of books in physical and digital formats.
2. What are the different book formats available? Hardcover: Sturdy and durable, usually more expensive. Paperback: Cheaper, lighter, and more portable than hardcovers. E-books: Digital books available for e-readers like Kindle or software like Apple Books, Kindle, and Google Play Books.
3. How do I choose a New Holland Diesel Injection Pump Timing book to read? Genres: Consider the genre you enjoy (fiction, non-fiction, mystery, sci-fi, etc.). Recommendations: Ask friends, join book clubs, or explore online reviews and recommendations. Author: If you like a particular author, you might enjoy more of their work.
4. How do I take care of New Holland Diesel Injection Pump Timing books? Storage: Keep them away from direct sunlight and in a dry environment. Handling: Avoid folding pages, use bookmarks, and handle them with clean hands. Cleaning: Gently dust the covers and pages occasionally.
5. Can I borrow books without buying them? Public Libraries: Local libraries offer a wide range of books for borrowing. Book Swaps: Community book exchanges or online platforms where people exchange books.
6. How can I track my reading progress or manage my book collection? Book Tracking Apps: Goodreads, LibraryThing, and Book Catalogue are popular apps for tracking your reading progress and managing book collections. Spreadsheets: You can create your own spreadsheet to track books read, ratings, and other details.
7. What are New Holland Diesel Injection Pump Timing audiobooks, and where can I find them? Audiobooks: Audio

- recordings of books, perfect for listening while commuting or multitasking. Platforms: Audible, LibriVox, and Google Play Books offer a wide selection of audiobooks.
8. How do I support authors or the book industry? Buy Books: Purchase books from authors or independent bookstores. Reviews: Leave reviews on platforms like Goodreads or Amazon. Promotion: Share your favorite books on social media or recommend them to friends.
 9. Are there book clubs or reading communities I can join? Local Clubs: Check for local book clubs in libraries or community centers. Online Communities: Platforms like Goodreads have virtual book clubs and discussion groups.
 10. Can I read New Holland Diesel Injection Pump Timing books for free? Public Domain Books: Many classic books are available for free as they're in the public domain. Free E-books: Some websites offer free e-books legally, like Project Gutenberg or Open Library.

Find New Holland Diesel Injection Pump Timing :

business 44-2580 weight loss tips USA 44-1029 weight loss tips for small
cybersecurity for beginners for startups 44-536 cybersecurity guide
for entrepreneurs 44-12 digital marketing tips for entrepreneurs 44-2323
explained for small business 44-870 AI marketing guide America 44-507 AI
business 44-1739 parenting tips tools America 44-887 parenting tips
44-2378 mobile app ideas blueprint for creators 44-1195 mobile app ideas
improvement tutorial for entrepreneurs 44-1917 side hustles apps for
funding case study United States 44-770 startup funding case study for
for creators 44-1511 career growth strategies for entrepreneurs 44-2823
wearable technology software America 44-407 wearable technology software
healthy recipes comparison for small business 44-655 healthy recipes
science careers tutorial America 44-1234 data science careers tutorial
for entrepreneurs 44-690 TikTok marketing best practices for small
by step United States 44-32 online business strategies United States
score improvement for beginners United States 44-546 credit score

New Holland Diesel Injection Pump Timing :

abma marketing certificate past papers for 2013 pdf - Sep 02 2022

web sep 11 2023 abma marketing certificate past papers for 2013 2 12 downloaded from uniport edu ng on september 11 2023 by guest collaborative approaches to evaluation j bradley cousins 2019 06 25 editor j bradley cousins and colleagues meet the needs of evaluators seeking to implement collaborative and participatory approaches to evaluation in

abma marketing certificate past papers for 2013 - Aug 01 2022

web feb 10 2023 abma marketing certificate past papers for 2013 ad7c06423cb5f74869e36ad1858a490b a little person might be pleased in imitation of looking at you reading abma marketing certificate

abma marketing certificate past papers for 2013 - Sep 14 2023

web april 28th 2018 browse and read abma marketing certificate past papers for 2013 abma marketing certificate past papers for 2013 when there are many people who don t need to expect something more than the benefits to take we will suggest

abma marketing certificate past papers for 2013 copy - Oct 03 2022

web 2 abma marketing certificate past papers for 2013 2021 03 31 maternity leave child care adoption stepchildren foster children health insurance coverage family planning other medical services cigarette smoking hiv testing pelvic inflammatory disease sex educ the geography of transport systems twelve

abma marketing certificate past papers for 2013 pdf pdf - Jan 06 2023

web mar 21 2023 abma marketing certificate past papers for 2013 pdf pdf as you such as by searching the title publisher or authors of guide you truly want you can discover them rapidly in the house workplace or perhaps in your method can be every best area within net connections if you target to download and install the abma marketing

abma marketing certificate past papers for 2013 pdf pdf - Mar 28 2022

web abma marketing certificate past papers for 2013 pdf introduction to scholarship cheryl siewierski 2020 vital signs institute of medicine 2015 08 26 thousands of measures are in use today to assess health and health care in the united states although many of these measures provide useful information their usefulness in

qualifications abma education - May 30 2022

web professional and regulated qualifications abma education provide meaningful qualifications that provides our learners with motivating up to date content exceptional resources exciting new skills and the confidence to move forward with their journey into employment or onto further studies

abma marketing certificate past papers for 2013 - Jul 12 2023

web to past examination papers this past paper examination was examined by the kenya national examination council knec

and it applies to the following certificate course craft certificate in

free abma marketing certificate past papers for 2013 - Dec 05 2022

web web download grade 12 past exam papers for 2013 click the relevant links in the table below to download your 2013 exam papers to download past exam papers for other years click the buttons on the right of the table below 2013 exam papers all exam papers for the february and november 2013 exams

abma education check out the past exam papers in the facebook - Aug 13 2023

web october 7 2021 check out the past exam papers in the members area of our website completing past papers is an excellent way to prepare for your exams abma uk com login register

abma marketing certificate past papers for 2013 - Nov 04 2022

web abma marketing certificate past papers for 2013 is available in our book collection an online access to it is set as public so you can get it instantly our book servers hosts in multiple countries allowing you to get the most less latency time to download any of our books like this one

abma marketing certificate past papers for 2013 uniport edu - Jun 30 2022

web apr 5 2023 is abma marketing certificate past papers for 2013 below introduction to scholarship cheryl siewierski 2020 standards based and responsive evaluation robert e stake 2003 10 30 the book begins with the main strategic choices an evaluator needs to make between approaches quantitatively by explicating criteria needs standards

download free abma marketing certificate past papers for 2013 - Feb 07 2023

web apr 1 2023 favored books abma marketing certificate past papers for 2013 pdf pdf collections that we have this is why you remain in the best website to look the unbelievable books to have abma marketing certificate past papers for 2013 web the abma marketing certificate past papers for 2013 it is certainly easy then back currently we

[free abma marketing certificate past papers for 2013 pdf pdf](#) - Mar 08 2023

web abma marketing certificate past papers for 2013 pdf pdf by online you might not require more become old to spend to go to the ebook initiation as competently as search for them in some cases you likewise accomplish not discover the revelation abma marketing certificate past papers for 2013 pdf pdf that you are looking for it will

abma marketing certificate past papers for 2013 download only - Jun 11 2023

web abma marketing certificate past papers for 2013 zapping in mar 17 2023 zapping in looks at the power and influence of advertising account planning from its origins in an analogue past through its influence in the digital world of today to its power and potential in the cyber consumer environments of tomorrow

log in register abma education - Feb 24 2022

web 7 queens square lyndhurst road ascot berkshire sl5 9fe uk tel 44 208 733 7000

[abma marketing certificate past papers for 2013 gebcorp com](#) - Oct 15 2023

web in this article we will explore the abma marketing certificate past papers for 2013 and provide useful insights to help students prepare effectively heading understanding the abma marketing certificate

[abma marketing certificate past papers for 2013 pdf](#) - Apr 28 2022

web 2 abma marketing certificate past papers for 2013 2021 03 24 reinforces how to generate research evidence and appraise and synthesize existing research for application to clinical practice rich examples from nursing literature bring research principles to life emphasis on the most currently used research methodologies focuses on the

[abma marketing certificate past papers for 2013 pdf uniport edu](#) - Apr 09 2023

web mar 21 2023 abma marketing certificate past papers for 2013 1 10 downloaded from uniport edu ng on march 21 2023 by guest abma marketing certificate past papers for 2013 right here we have countless book abma marketing certificate past papers for 2013 and collections to check out we additionally come up with the money for variant

[abma marketing certificate past papers for 2013 copy](#) - May 10 2023

web abma marketing certificate past papers for 2013 downloaded from ai classmonitor com by guest stewart jimmy model rules of professional conduct british qualifications mobility is fundamental to economic and social activities such as commuting manufacturing or supplying energy each movement has an origin a potential set of intermediate

[atlas de pa c trologie 3e a c d uniport edu](#) - Jan 27 2022

web may 27 2023 install atlas de pa c trologie 3e a c d hence simple grand dictionnaire universel du xixe siècle pierre larousse 1869 journal général de l'imprimerie et de la

atlas de pa c trologie 3e a c d ieee staff copy - Oct 24 2021

web merely said the atlas de pa c trologie 3e a c d is universally compatible with any devices to read a companion to ancient greek and roman music toscia a c lynch

[toprak atlası 2015 heinrich böll stiftung niwêneriya tirkiyeyê](#) - Jan 07 2023

web toprak atlası tarla arazi ve toprağa dair sayı ve olgularla yanıt veren ilk toprak atlası türkçeye çevrildi 2015 toprak atlası çok sayıda grafik ve metinle üzerinde yaşadığımız

atlas de pa c trologie 3e a c d pdf - Sep 22 2021

web mar 26 2023 atlas de pa c trologie 3e a c d right here we have countless book atlas de pa c trologie 3e a c d and collections to check out we additionally come up with

atlas de pa c trologie 3e a c d pdf - Dec 06 2022

web atlas de pa c trologie 3e a c d introduction to plant biotechnology 3 e jan 18 2023 this book has been written to meet the needs of students for biotechnology courses at

[atlas de pa c trologie 3e a c d pdf](#) - Jul 13 2023

web jun 19 2023 atlas de pa c trologie 3e a c d pdf is user friendly in our digital library an online entry to it is set as public as a result you can download it instantly our digital

arkeoloji bölümü t c trakya Üniversitesi - Aug 02 2022

web trakya da arkeoloji konferanslari 36 emre taştumur dođu trakya müzeleri cam eserleri 06 06 2023 enez sempozyumu 05 06 2023 yakindođu peyzaj arkeolojisi topluluđu iv

[atlas de pa c trologie 3e a c d uniport edu](#) - May 31 2022

web jun 12 2023 atlas de pa c trologie 3e a c d 1 5 downloaded from uniport edu ng on june 12 2023 by guest atlas de pa c trologie 3e a c d when somebody should go to

türkiye de kaç cođrafi bölge var isimleri ile cođrafi bölgeler - Nov 24 2021

web may 4 2021 türkiye de 7 cođrafi bölge vardır 1 karadeniz bölgesi 2 marmara bölgesi 3 güneydođu anadolu bölgesi 4 dođu anadolu bölgesi 5 İç anadolu bölgesi 6 ege

atlas de pa c trologie 3e a c d copy uniport edu - Sep 03 2022

web mar 2 2023 atlas de pa c trologie 3e a c d 1 5 downloaded from uniport edu ng on march 2 2023 by guest atlas de pa c trologie 3e a c d right here we have

atlas de pa c trologie 3e a c d pdf download only tax - Jul 01 2022

web title atlas de pa c trologie 3e a c d pdf download only tax clone ortax org created date 9 2 2023 11 30 45 pm

pdf atlas de pa c trologie 3e a c d pdf - Aug 14 2023

web mar 25 2023 merely said the atlas de pa c trologie 3e a c d pdf is universally compatible with any devices to read cancer and society eric h bernicker 2019 03 04

atlas de pa c trologie 3e a c d pdf ftp bonide - Feb 25 2022

web encyclopédie moderne by e m p m a courtin with atlas compl publ sous la direction de n des vergers and others with planches dictionnaire historique critique

atlas de pa c trologie 3e a c d pdf pdf - Jun 12 2023

web atlas de pa c trologie 3e a c d pdf is welcoming in our digital library an online entrance to it is set as public suitably you can download it instantly our digital library saves in

türkiye cođrafyası a b d pau edu tr - Nov 05 2022

web bilimsel alanda gelişmelere yön veren yenilikçi eğitim öğretim uygulamalarında öncü olan değer üreten ve mükemmelliđi esas alan uluslararası üniversite

atlas de pa c trologie 3e a c d pdf download only tax - Oct 04 2022

web atlas de pa c trologie 3e a c d pdf introduction atlas de pa c trologie 3e a c d pdf download only migration in a globalised world cédric audebert 2010 this broad

atlas de pa c trologie 3e a c d pdf - Mar 09 2023

web atlas de pa c trologie 3e a c d is additionally useful you have remained in right site to start getting this info acquire the atlas de pa c trologie 3e a c d colleague that we

atlas de pa c trologie 3e a c d pdf pdf support ortax - Apr 10 2023

web atlas de pa c trologie 3e a c d pdf introduction atlas de pa c trologie 3e a c d pdf pdf title atlas de pa c trologie 3e a c d pdf pdf support ortax org created

atlas de pa c trologie 3e a c d 2022 retreat vedantaworld - Mar 29 2022

web atlas de pa c trologie 3e a c d 1 atlas de pa c trologie 3e a c d when somebody should go to the books stores search launch by shop shelf by shelf it is in point of fact

atlas de pa c trologie 3e a c d ieee staff download only - Feb 08 2023

web atlas de pa c trologie 3e a c d this is likewise one of the factors by obtaining the soft documents of this atlas de pa c trologie 3e a c d by online you might not require

palme yayıncılık tyt coğrafya soru kitabı cema1 Çelik kitabı - Dec 26 2021

web mar 28 2022 Ürün açıklaması kampanyalar 1 değerlendirmeler 82 soru cevap 2 taksit seçenekleri alışveriş kredisi İptal ve İade koşulları tüm satıcılar 64 palme

atlas de pa c trologie 3e a c d download only - Apr 29 2022

web 2 atlas de pa c trologie 3e a c d 2022 07 15 being tableau des évêques constitutionnels de france de 1791 à 1801 classés dans l ordre des métropoles établi

atlas de pa c trologie 3e a c d ieee staff full pdf - May 11 2023

web atlas de pa c trologie 3e a c d right here we have countless ebook atlas de pa c trologie 3e a c d and collections to check out we additionally present variant types

wise woman herbal for the childbearing year welcome - Sep 19 2023

wise woman herbal for the childbearing year covers herbal fertility agents birth control home remedies for common complaints of pregnancy alternative medicines for complications of labor and delivery and effective remedies for the distresses of newborns and new moms

wise woman herbal for the childbearing year paperback - Dec 10 2022

this is book number 1 in the wise woman herbal series 2 breast cancer breast health the wise woman way wise woman herbal 2 paperback 21 95 3 new menopausal years alternative approaches for women 30 90 wise woman herbal 3 paperback 22 95

wise woman herbal for the childbearing year google books - May 15 2023

simple safe remedies for pregnancy childbirth lactation and newborns now in its 24th printing a confirmed favorite with pregnant women midwives childbirth educators and new parents

download wise woman herbal for the childbearing year 1 full - Jan 31 2022

sep 25 2020 search download wise woman herbal for the childbearing year 1 full 1 2 copy link to download best readbooks link book 0961462000 keywords download wise woman herbal childbearing year full childbearing year 1 full begin advertising it and you can go on advertising it for a long time provided that the material is

wise woman herbal for the childbearing year 1 thriftbooks - Aug 06 2022

wise woman herbal for the childbearing year 1 by susun s weed see customer reviews select format hardcover paperback 15 49 16 19 select condition like new unavailable very good unavailable good 16 19 acceptable 15 49 new unavailable see all 3 editions from 15 49 selected format paperback condition good 16 19

wise woman herbal for the childbearing year goodreads - Aug 18 2023

jun 1 1985 wise woman herbal for the childbearing year susun s weed janice novet illustrator 4 30 1 278 ratings67 reviews simple safe remedies for pregnancy childbirth lactation and newborns now in its 24th printing a confirmed favorite with pregnant women midwives childbirth educators and new parents

wise woman herbal for the childbearing year goodreads - Mar 01 2022

simple safe remedies for pregnancy childbirth lactation and newborns now in its 24th prin wise woman herbal for the childbearing year 1 by susun s weed goodreads

wise woman herbal for the childbearing year indigo books - Jul 05 2022

apr 10 1996 about simple safe remedies for pregnancy childbirth lactation and newborns now in its 24th printing a confirmed favorite with pregnant women midwives childbirth educators and new parents packed with clear comforting and superbly helpful information

wise woman herbal for the childbearing year 1 softcover - Nov 09 2022

about this edition simple safe remedies for pregnancy childbirth lactation and newborns now in its 24th printing a confirmed favorite with pregnant women midwives childbirth educators and new parents

wise woman herbal for the childbearing year wise woman herbal - Jun 04 2022

wise woman herbal for the childbearing year wise woman herbal series no 1 weed susun s isbn 9781557989260 kostenloser versand für alle bücher mit versand und verkauf duch amazon

wise woman herbal for the childbearing year wise woman herbal - Mar 13 2023

apr 11 1996 wise woman herbal for the childbearing year wise woman herbal series no 1 paperback 11 april 1996 by susun

s weed author 434 ratings see all formats and editions kindle edition 0 00 this title and over 1 million more are available with kindle unlimited 7 49 to buy hardcover paperback 53 89 5 used from 53 88

[wise woman herbal for the childbearing year wise w book](#) - Sep 07 2022

wise woman herbal for the childbearing year wise w hygieia jeannine parvati 1978 hygieia a woman s herbal combines the ancient practice of herbalism with women s holistic health it s an encyclopedic work covering how specific herbs can help with birth control menstruation menopause pregnancy childbirth nursing and much more personal

[wise woman herbal for the childbearing year kindle edition](#) - Oct 08 2022

herbs take a starring role in labor and delivery whether initiating labor increasing energy diminishing pain or staunching postpartum bleeding and in postpartum care of the mother s perineum breasts and emotions and the infants umbilicus skin scalp digestive system and immune system

[amazon com customer reviews wise woman herbal for the childbearing](#) - Apr 02 2022

dec 9 2022 find helpful customer reviews and review ratings for wise woman herbal for the childbearing year 1 at amazon com read honest and unbiased product reviews from our users 5 0 out of 5 stars wise woman childbearing year reviewed in the united states on november 13 2011

wise woman herbal for the childbearing year wise woman herbal - Apr 14 2023

wise woman herbal for the childbearing year wise woman herbal series book 1 wise woman herbal series no 1 volume 1 susun weed amazon com au books skip to main content com au delivering to sydney 1171 to change sign in or enter a postcode books

[wise woman herbal for the childbearing year volume 1](#) - Jan 11 2023

apr 11 1996 5 new from 31 68 simple safe remedies for pregnancy childbirth lactation and newborns now in its 24th printing a confirmed favorite with pregnant women midwives childbirth educators and new parents

wise woman herbal for the childbearing year kindle edition - Feb 12 2023

sep 19 2012 wise woman herbal for the childbearing year kindle edition by susun weed author format kindle edition 4 8 511 ratings quality issues reported see all formats and editions kindle 0 00 read with kindle unlimited to also enjoy access to over 4 million more titles 9 99 to buy hardcover 30 00 1 used from 30 00

wise woman herbal for the childbearing year weed susun s - Jun 16 2023

wise woman herbal for the childbearing year weed susun s free download borrow and streaming internet archive by weed susun s publication date 1985 topics obstetrical pharmacology herbs medicine publisher woodstock n y ash tree pub collection inlibrary printdisabled internetarchivebooks americana contributor

wise woman herbal for the childbearing year 1 amazon com - Jul 17 2023

apr 11 1996 herbs take a starring role in labor and delivery whether initiating labor increasing energy diminishing pain or staunching postpartum bleeding and in postpartum care of the mother s perineum breasts and emotions and the infants umbilicus skin scalp digestive system and immune system

the childbearing year by susun weed - May 03 2022

we are all wise women susun weed wise woman herbal for the childbearing year covers herbal fertility agents birth control home remedies for common complaints of pregnancy alternative medicines for complications of labor and delivery and effective remedies for the distresses of newborns and new moms