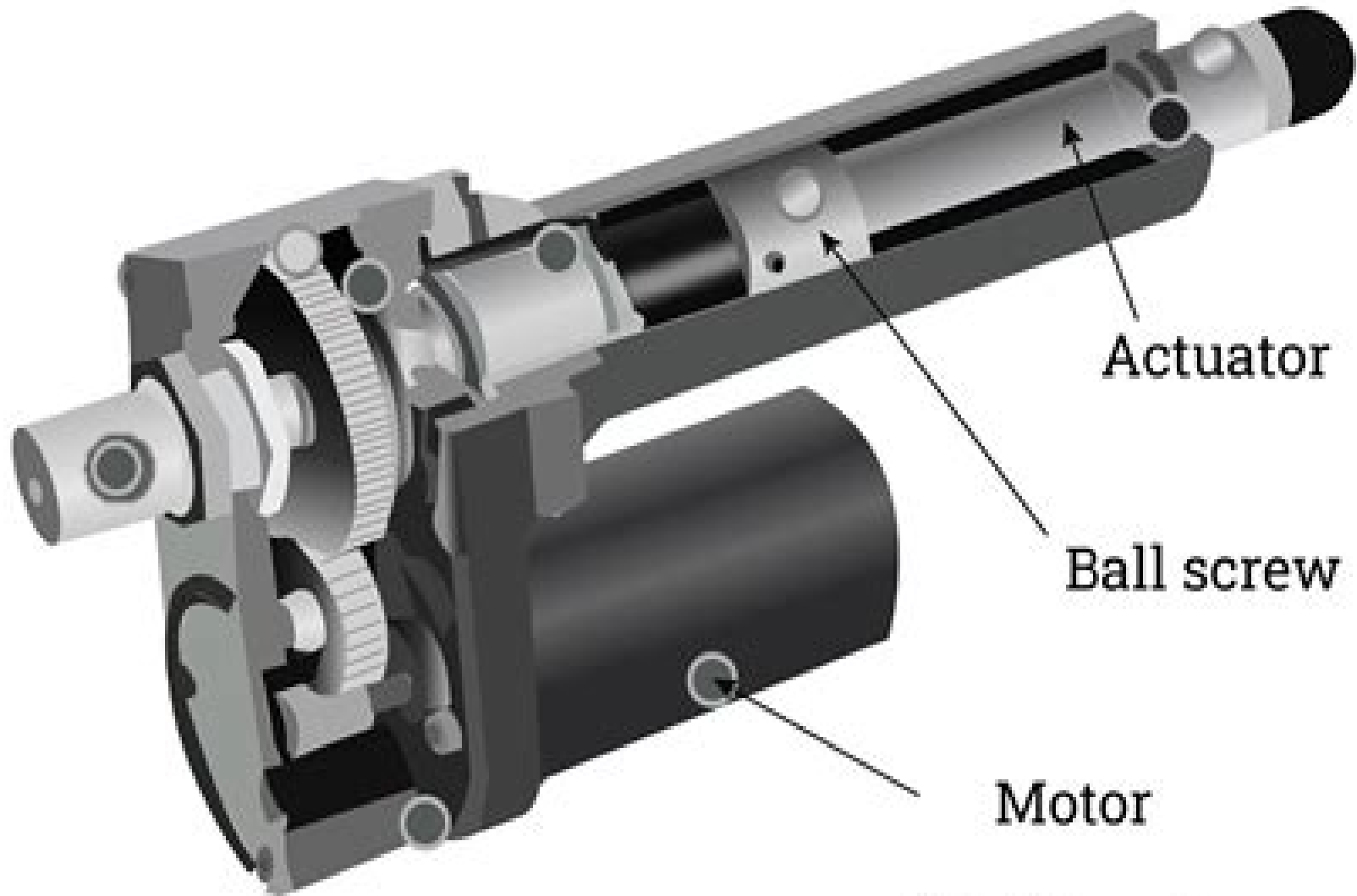


Electric Actuator



Instrumentation And Control Tutorial 2 Electric Actuators

B Lingard



Instrumentation And Control Tutorial 2 Electric Actuators:

Instrumentation And Control Tutorial 2 Electric Actuators Book Review: Unveiling the Power of Words

In some sort of driven by information and connectivity, the ability of words has be more evident than ever. They have the capacity to inspire, provoke, and ignite change. Such is the essence of the book **Instrumentation And Control Tutorial 2 Electric Actuators**, a literary masterpiece that delves deep into the significance of words and their effect on our lives. Written by a renowned author, this captivating work takes readers on a transformative journey, unraveling the secrets and potential behind every word. In this review, we will explore the book is key themes, examine its writing style, and analyze its overall effect on readers.

https://py.bijouxmedusa.com/files/browse/HomePages/Alleluia_Ssaa_Keyboard_Choral_Sheet_Music_By_Charles_.pdf

Table of Contents Instrumentation And Control Tutorial 2 Electric Actuators

1. Understanding the eBook Instrumentation And Control Tutorial 2 Electric Actuators
 - The Rise of Digital Reading Instrumentation And Control Tutorial 2 Electric Actuators
 - Advantages of eBooks Over Traditional Books
2. Identifying Instrumentation And Control Tutorial 2 Electric Actuators
 - Exploring Different Genres
 - Considering Fiction vs. Non-Fiction
 - Determining Your Reading Goals
3. Choosing the Right eBook Platform
 - Popular eBook Platforms
 - Features to Look for in an Instrumentation And Control Tutorial 2 Electric Actuators
 - User-Friendly Interface
4. Exploring eBook Recommendations from Instrumentation And Control Tutorial 2 Electric Actuators
 - Personalized Recommendations
 - Instrumentation And Control Tutorial 2 Electric Actuators User Reviews and Ratings
 - Instrumentation And Control Tutorial 2 Electric Actuators and Bestseller Lists

5. Accessing Instrumentation And Control Tutorial 2 Electric Actuators Free and Paid eBooks
 - Instrumentation And Control Tutorial 2 Electric Actuators Public Domain eBooks
 - Instrumentation And Control Tutorial 2 Electric Actuators eBook Subscription Services
 - Instrumentation And Control Tutorial 2 Electric Actuators Budget-Friendly Options
6. Navigating Instrumentation And Control Tutorial 2 Electric Actuators eBook Formats
 - ePub, PDF, MOBI, and More
 - Instrumentation And Control Tutorial 2 Electric Actuators Compatibility with Devices
 - Instrumentation And Control Tutorial 2 Electric Actuators Enhanced eBook Features
7. Enhancing Your Reading Experience
 - Adjustable Fonts and Text Sizes of Instrumentation And Control Tutorial 2 Electric Actuators
 - Highlighting and Note-Taking Instrumentation And Control Tutorial 2 Electric Actuators
 - Interactive Elements Instrumentation And Control Tutorial 2 Electric Actuators
8. Staying Engaged with Instrumentation And Control Tutorial 2 Electric Actuators
 - Joining Online Reading Communities
 - Participating in Virtual Book Clubs
 - Following Authors and Publishers Instrumentation And Control Tutorial 2 Electric Actuators
9. Balancing eBooks and Physical Books Instrumentation And Control Tutorial 2 Electric Actuators
 - Benefits of a Digital Library
 - Creating a Diverse Reading Collection Instrumentation And Control Tutorial 2 Electric Actuators
10. Overcoming Reading Challenges
 - Dealing with Digital Eye Strain
 - Minimizing Distractions
 - Managing Screen Time
11. Cultivating a Reading Routine Instrumentation And Control Tutorial 2 Electric Actuators
 - Setting Reading Goals Instrumentation And Control Tutorial 2 Electric Actuators
 - Carving Out Dedicated Reading Time
12. Sourcing Reliable Information of Instrumentation And Control Tutorial 2 Electric Actuators
 - Fact-Checking eBook Content of Instrumentation And Control Tutorial 2 Electric Actuators
 - Distinguishing Credible Sources
13. Promoting Lifelong Learning

- Utilizing eBooks for Skill Development
 - Exploring Educational eBooks
14. Embracing eBook Trends
- Integration of Multimedia Elements
 - Interactive and Gamified eBooks

Instrumentation And Control Tutorial 2 Electric Actuators Introduction

Instrumentation And Control Tutorial 2 Electric Actuators Offers over 60,000 free eBooks, including many classics that are in the public domain. Open Library: Provides access to over 1 million free eBooks, including classic literature and contemporary works. Instrumentation And Control Tutorial 2 Electric Actuators Offers a vast collection of books, some of which are available for free as PDF downloads, particularly older books in the public domain. Instrumentation And Control Tutorial 2 Electric Actuators : This website hosts a vast collection of scientific articles, books, and textbooks. While it operates in a legal gray area due to copyright issues, its a popular resource for finding various publications. Internet Archive for Instrumentation And Control Tutorial 2 Electric Actuators : Has an extensive collection of digital content, including books, articles, videos, and more. It has a massive library of free downloadable books. Free-eBooks Instrumentation And Control Tutorial 2 Electric Actuators Offers a diverse range of free eBooks across various genres. Instrumentation And Control Tutorial 2 Electric Actuators Focuses mainly on educational books, textbooks, and business books. It offers free PDF downloads for educational purposes. Instrumentation And Control Tutorial 2 Electric Actuators Provides a large selection of free eBooks in different genres, which are available for download in various formats, including PDF. Finding specific Instrumentation And Control Tutorial 2 Electric Actuators, especially related to Instrumentation And Control Tutorial 2 Electric Actuators, might be challenging as theyre often artistic creations rather than practical blueprints. However, you can explore the following steps to search for or create your own Online Searches: Look for websites, forums, or blogs dedicated to Instrumentation And Control Tutorial 2 Electric Actuators, Sometimes enthusiasts share their designs or concepts in PDF format. Books and Magazines Some Instrumentation And Control Tutorial 2 Electric Actuators books or magazines might include. Look for these in online stores or libraries. Remember that while Instrumentation And Control Tutorial 2 Electric Actuators, sharing copyrighted material without permission is not legal. Always ensure youre either creating your own or obtaining them from legitimate sources that allow sharing and downloading. Library Check if your local library offers eBook lending services. Many libraries have digital catalogs where you can borrow Instrumentation And Control Tutorial 2 Electric Actuators eBooks for free, including popular titles. Online Retailers: Websites like Amazon, Google Books, or Apple Books often sell eBooks. Sometimes, authors or publishers offer promotions or free periods for certain books. Authors Website

Occasionally, authors provide excerpts or short stories for free on their websites. While this might not be the Instrumentation And Control Tutorial 2 Electric Actuators full book, it can give you a taste of the authors writing style. Subscription Services Platforms like Kindle Unlimited or Scribd offer subscription-based access to a wide range of Instrumentation And Control Tutorial 2 Electric Actuators eBooks, including some popular titles.

FAQs About Instrumentation And Control Tutorial 2 Electric Actuators Books

1. Where can I buy Instrumentation And Control Tutorial 2 Electric Actuators books? Bookstores: Physical bookstores like Barnes & Noble, Waterstones, and independent local stores. Online Retailers: Amazon, Book Depository, and various online bookstores offer a wide range of books in physical and digital formats.
2. What are the different book formats available? Hardcover: Sturdy and durable, usually more expensive. Paperback: Cheaper, lighter, and more portable than hardcovers. E-books: Digital books available for e-readers like Kindle or software like Apple Books, Kindle, and Google Play Books.
3. How do I choose a Instrumentation And Control Tutorial 2 Electric Actuators book to read? Genres: Consider the genre you enjoy (fiction, non-fiction, mystery, sci-fi, etc.). Recommendations: Ask friends, join book clubs, or explore online reviews and recommendations. Author: If you like a particular author, you might enjoy more of their work.
4. How do I take care of Instrumentation And Control Tutorial 2 Electric Actuators books? Storage: Keep them away from direct sunlight and in a dry environment. Handling: Avoid folding pages, use bookmarks, and handle them with clean hands. Cleaning: Gently dust the covers and pages occasionally.
5. Can I borrow books without buying them? Public Libraries: Local libraries offer a wide range of books for borrowing. Book Swaps: Community book exchanges or online platforms where people exchange books.
6. How can I track my reading progress or manage my book collection? Book Tracking Apps: Goodreads, LibraryThing, and Book Catalogue are popular apps for tracking your reading progress and managing book collections. Spreadsheets: You can create your own spreadsheet to track books read, ratings, and other details.
7. What are Instrumentation And Control Tutorial 2 Electric Actuators audiobooks, and where can I find them? Audiobooks: Audio recordings of books, perfect for listening while commuting or multitasking. Platforms: Audible, LibriVox, and Google Play Books offer a wide selection of audiobooks.
8. How do I support authors or the book industry? Buy Books: Purchase books from authors or independent bookstores. Reviews: Leave reviews on platforms like Goodreads or Amazon. Promotion: Share your favorite books on social media

or recommend them to friends.

9. Are there book clubs or reading communities I can join? Local Clubs: Check for local book clubs in libraries or community centers. Online Communities: Platforms like Goodreads have virtual book clubs and discussion groups.
10. Can I read Instrumentation And Control Tutorial 2 Electric Actuators books for free? Public Domain Books: Many classic books are available for free as they're in the public domain. Free E-books: Some websites offer free e-books legally, like Project Gutenberg or Open Library.

Find Instrumentation And Control Tutorial 2 Electric Actuators :

[alleluia ssaa keyboard choral sheet music by charles](#)

[after effect tutorial and aep documents](#)

[allen astrophysical quantities 4th edition](#)

[alternative fuels jaico by s s thipse sdocuments2](#)

[aiag ppap manual 4th edition download](#)

affinity designer workbook

[ama guides sixth edition](#)

amcat study material

[american popular music from minstrelsy to mp3](#)

[aleister crowleys illustrated goetia](#)

[agriculture science in mughal period its socio economic](#)

alfreds basic piano library theory bk 1a

[algebra 1 chapter 7 test](#)

[alter ego a2 french guide](#)

[aging in hong kong a comparative perspective international perspectives on aging](#)

Instrumentation And Control Tutorial 2 Electric Actuators :

[dc ac inverter circuit toshiba electronic devices storage - Jul 10 2023](#)

web description this document describes inverter circuits used for motor control and other applications focusing on pwm control it also describes the differences between two phase and three phase modulation techniques as well as circuits for drive power supply and power losses in semiconductor devices 1 inverters

how does an inverter work fuji electric product column fuji - Apr 07 2023

web how does an inverter work how and what does an inverter take control of a brief explanation to grasp the basic structure starting off from the converter circuit and inverter circuit to have a proper understanding of the inverter device categorizing use cases of inverter devices and circuits by voltage and frequency

dc to ac converters inverters design working applications - Feb 05 2023

web may 20 2023 the block diagram illustrates the key components of a dc to ac converters or inverter 1 input filter the input filter removes any ripple or frequency disturbances on the d c supply to provide a clean voltage to the inverter circuit

inverter types circuit diagram and its applications elprocus - Aug 11 2023

web an inverter can be defined as it is a compact and rectangular shaped electrical equipment used to convert direct current dc voltage to alternating current ac voltage in common appliances the a plications of dc involves several small types of equipment like solar power systems

power inverter wikipedia - Jan 04 2023

web an inverter on a free standing solar plant overview of solar plant inverters a power inverter inverter or invertor is a power electronic device or circuitry that changes direct current dc to alternating current ac the resulting ac frequency obtained depends on the particular device employed inverters do the opposite of rectifiers which were

basic inverter electronic schematic diagram - Mar 06 2023

web the following diagram is the basic design diagram of inverter circuit the circuit will convert 12v dc to 120v ac this basic inverter circuit can handle up to 1000watts supply depends the t1 t2 and transformer used please see the note

inverter circuit diagram a complete tutorial edrawmax - Oct 13 2023

web in this article 01 what is an inverter 02 types and classification of inverters 03 how to make an inverter circuit diagram 04 use edrawmax for circuit diagram creation what is an inverter the inverter is an electronic device used to convert direct current dc into alternating current ac

800va pure sine wave inverter s reference design rev a - Jun 09 2023

web block diagram of 600va to 3 kva residential pure sine wave inverters there is a dual mode of operation in a residential inverter that is mains mode and inverter modes shown in figure 2 an inverter not only converts the dc voltage of battery to 220 v 120 v ac signals but also charge the battery when the ac mains is present

how to build a dc to ac power inverter circuit basics - Sep 12 2023

web aug 26 2021 we are going to build a power inverter that takes its input power from a 12v battery and outputs a 110v 230v ac current the circuit is outlined in the block diagram below here is the circuit schematic the 50hz oscillator is provided by the 555 timer

basic inverter schematic design electronic circuit diagram - May 08 2023

web the following diagram is the basic design diagram of inverter circuit the circuit will convert 12v dc to 120v ac this basic inverter circuit can handle up to 1000watts supply depends the t1 t2 and transformer used please

[the decipherment of linear b canto classics john chadwick](#) - Mar 30 2022

web jul 21 2021 ages 0 and up 263264 817 a short fictional story of two friends held in the claws of a ravaging earthquake my books 403315 not in library 367817 realtime data dashboards

the decipherment of linear b canto classics amazon co uk - Oct 05 2022

web may 15 2014 this celebrated account of the decipherment of linear b in the 1950s by michael ventris was written by his close collaborator in the momentous discovery in revealing the secrets of linear b it offers a valuable survey of late minoan and mycenaean archaeology uncovering fascinating details of the religion and economic history of an

the decipherment of linear b canto classics paperback - Mar 10 2023

web may 15 2014 buy the decipherment of linear b canto classics 2 by chadwick john isbn 9781107691766 from amazon s book store everyday low prices and free delivery on eligible orders

the decipherment of linear b cambridge university press - Jan 08 2023

web this celebrated account of the decipherment of linear b in the 1950s by michael ventris was written by his close collaborator in the momentous discovery in revealing the secrets of linear b it offers a valuable survey of late minoan and mycenaean archaeology uncovering fascinating details of the religion and economic history of an ancient

the decipherment of linear b canto classics softcover - Sep 04 2022

web abebooks com the decipherment of linear b canto classics 9781107691766 by chadwick john and a great selection of similar new used and collectible books available now at great prices the decipherment of linear b canto classics chadwick john 9781107691766 abebooks

the decipherment of linear b canto classics - Jun 01 2022

web the undeciphered signs of linear b anna p judson 2020 09 24 decades after michael ventris deciphered linear b and showed that its language was greek nearly one sixth of its syllabic signs sound values are still unknown this book offers a new approach to establishing these undeciphered signs possible values analysis of linear b s

[the decipherment of linear b by john chadwick anna s archive](#) - Apr 11 2023

web this celebrated account of the decipherment of linear b in the 1950s by michael ventris was written by his close collaborator in the momentous discovery

the decipherment of linear b canto classics goodreads - Jun 13 2023

web 4 09 441 ratings67 reviews the languages of the ancient world and the mysterious scripts long undeciphered in which

they were encoded have represented one of the most intriguing problems of classical archaeology in modern times

the decipherment of linear b canto classics kindle edition by - Dec 07 2022

web may 15 2014 the decipherment of linear b canto classics kindle edition by chadwick john download it once and read it on your kindle device pc phones or tablets use features like bookmarks note taking and highlighting while reading the decipherment of linear b canto classics

the decipherment of linear b canto classics andrew tynan - Feb 09 2023

web this celebrated account of the decipherment of linear b in the 1950s by michael ventris was written by his close collaborator in the momentous discovery

the decipherment of linear b canto classics amazon com - May 12 2023

web jul 28 2014 in his book the decipherment of linear b first published in 1958 classical linguist john chadwick who collaborated with ventris on the decipherment tells the story of how this ancient writing system was discovered and decrypted

the decipherment of linear b canto classics john chadwick - Apr 30 2022

web jul 13 2021 level 3 advanced the decipherment of linear b canto classics john chadwick discrete mathematics and its applications instructor s manual kenneth h rosen with a side of saucy the sexy series volume 4 gigi marie a history of engineering and science in the bell system physical sciences 1925 1980 s

canto classics from cambridge university press - Jul 14 2023

web canto classics draws from the most successful titles published by cambridge over the past half century and more bringing them together in a newly designed paperback series that offers the very best most influential and most enjoyable books from the breadth of cambridge publishing canto classics new titles the life of isaac newton

the decipherment of linear b canto classics - Jul 02 2022

web merely said the the decipherment of linear b canto classics is universally compatible considering any devices to read 2 culture and imperialism edward w said 2012 10 24 a landmark work from the author of orientalism that explores the long overlooked connections

the decipherment of linear b canto classics amazon de - Nov 06 2022

web the decipherment of linear b canto classics chadwick john isbn 9781107691766 kostenloser versand für alle bücher mit versand und verkauf duch amazon

the decipherment of linear b canto 2nd edition kindle edition - Jan 28 2022

web sep 13 1990 this celebrated account of the decipherment of linear b in the 1950s by michael ventris was written by his close collaborator in the momentous discovery in revealing the secrets of linear b it offers a valuable survey of late minoan

and mycenaean archaeology uncovering fascinating details of the religion and economic history of an

the decipherment of linear b canto amazon co uk - Aug 03 2022

web jan 12 2008 the decipherment of linear b canto classics 14 49 in stock the languages of the ancient world and the mysterious scripts long undeciphered in which they were encoded have represented one of the most intriguing problems of classical archaeology in modern times

the decipherment of linear b canto classics john chadwick - Feb 26 2022

web jul 5 2022 3145 eva shaw has spent 17 years of her life in the shadows without holding anyone close to truly know the true eva one day she defends her only friend peter from the relentless attacks of the football team and its team captain nick lewis but for some unknown reason he takes

the decipherment of linear b cambridge university press - Aug 15 2023

web this celebrated account of the decipherment of linear b in the 1950s by michael ventris was written by his close collaborator in the momentous discovery in revealing the secrets of linear b it offers a valuable survey of late minoan and mycenaean archaeology uncovering fascinating details of the religion and economic history of an ancient

the decipherment of linear b canto classics john chadwick - Dec 27 2021

web the decipherment of linear b canto classics john chadwick whatever we do affects millions of people not only those that are in school now but parents and future generations when we take any action we have to understand that there is a great responsibility for tomorrow education is a system where you see changes very slowly

the loud halo hardcover 1 oct 1987 amazon co uk - Nov 23 2021

web the loud halo hardcover 1 jan 1964 by lillian beckwith author 4 3 40 ratings see all formats and editions hardcover 7 04 2 used from 4 43 1 collectible from 26 99

the loud halo lillian beckwith 9781855014589 - Apr 09 2023

web the loud halo item preview remove circle share or embed this item share to twitter share to facebook share to reddit share to tumblr share to pinterest share via email

the loud halo beckwith lillian 1916 free download borrow - Mar 08 2023

web learn more roll over image to zoom in follow the author lillian beckwith the loud halo audio cassette unabridged by lillian beckwith author hannah gordon narrator

the loud halo lillian beckwith s hebridean tales 3 - Jul 12 2023

web the loud halo by lillian beckwith 4 04 269 ratings 27 reviews published 1964 30 editions in the loud halo lillian beckwith serves up anothe want to read rate it

the loud halo beckwith lillian 1916 free download borrow - Sep 14 2023

web an icon used to represent a menu that can be toggled by interacting with this icon

the loud halo common reader editions amazon com - Jan 06 2023

web filled with the same sort of happy spirits eccentric characters and amusing anecdotes which distinguished its predecessors the loud halo brings to a humorous and spirited

the loud halo lillian beckwith free download borrow and - Aug 13 2023

web in her charming account of the rural village of bruach lillian beckwith paints a vivid picture of life as a hebridean crofter introducing a cast of colourful locals including village clown

the loud halo amazon co uk lillian beckwith douglas hall - Dec 05 2022

web jan 1 2001 the loud halo paperback january 1 2001 in the loud halo lillian beckwith serves up another delightful slice of hebridean life and a collection of local

the loud house tv series 2014 imdb - Apr 28 2022

web the really loud house created by tim hobert with wolfgang schaeffer jahzir bruno brian stepanek jolie jenkins follows lincoln loud as he goes on new adventures in

the loud halo audio cassette unabridged amazon com - Feb 07 2023

web jan 1 2002 a tourist s view of hebridean island life is a cottage in the highlands and a cow for milk for lillian beckwith it s storm force winds lashing hail and stinging rain or

[the loud house encyclopedia fandom](#) - Feb 24 2022

web ever wonder what it s like to grow up in a big family eleven year old lincoln loud gives viewers an inside look at how to survive the chaos of a huge household especially as

debussy and final fantasy are peers on this radio stream - Dec 25 2021

web the loud halo hardcover 1 oct 1987 by lillian beckwith author 4 3 40 ratings see all formats and editions hardcover 21 25 9 used from 18 47 1 collectible from 20 00

the loud house season 7 tv series nick - Jan 26 2022

web 15 hours ago by jason m bailey nov 15 2023 5 02 a m et a treacherous puzzle that lies near the end of myst the 1993 point and click video game involves a pipe organ and

the loud halo by lillian beckwith the storygraph - Sep 02 2022

web get this from a library the loud halo lillian beckwith hannah gordon a typical tourist s view of a crofter s life on a hebridean island is a little cottage in the highlands and a cow

the really loud house tv series 2022 imdb - Mar 28 2022

web about the loud house the loud house follows the daily adventures of lincoln loud an eleven year old boy with ten sisters

in each episode lincoln must find a new way to
the loud halo amazon co uk beckwith lillian books - Oct 23 2021

the loud halo the hebridean trilogy 3 goodreads - Oct 15 2023

web the loud halo by beckwith lillian 1916 publication date 1977 topics manners and customs scotland hebrides social life
1970 1979 personal observations publisher

the loud halo by lillian with illustrations by hall douglas - Oct 03 2022

web the loud halo the hebridean trilogy 3 lillian beckwith 271 pages first pub 1964 isbn uid none format not specified
language english publisher not specified

the loud halo beckwith lillian 9780755102716 amazon com - Nov 04 2022

web the loud halo by lillian with illustrations by hall douglas beckwith 1964 08 01 on amazon com free shipping on qualifying
offers the loud halo by lillian with

amazon com the loud halo 9781447216872 - May 10 2023

web jan 1 1993 the loud halo lillian beckwith 9781855014589 amazon com books books history europe buy used 8 78 free
delivery february 17 23 details

the loud halo abebooks - Jun 30 2022

web the loud halo a proper woman dec 12 2022 anna is a child living in a remote hebridean community when she meets the
enigmatic and romantic jimmy pearl she carries the

the hebridean trilogy by lillian beckwith goodreads - Jun 11 2023

web feb 2 2012 the loud halo paperback february 2 2012 by lillian beckwith author 4 2 124 ratings book 3 of 7 lillian
beckwith s hebridean tales see all formats and

the loud halo audiobook on cassette 1997 worldcat org - Aug 01 2022

web the loud halo by lillian beckwith and a great selection of related books art and collectibles available now at abebooks co
uk

the loud halo book - May 30 2022

web the loud house created by chris savino michael rubiner with grey griffin lara jill miller jessica dicicco brian stepanek
lincoln loud is an eleven year old boy who