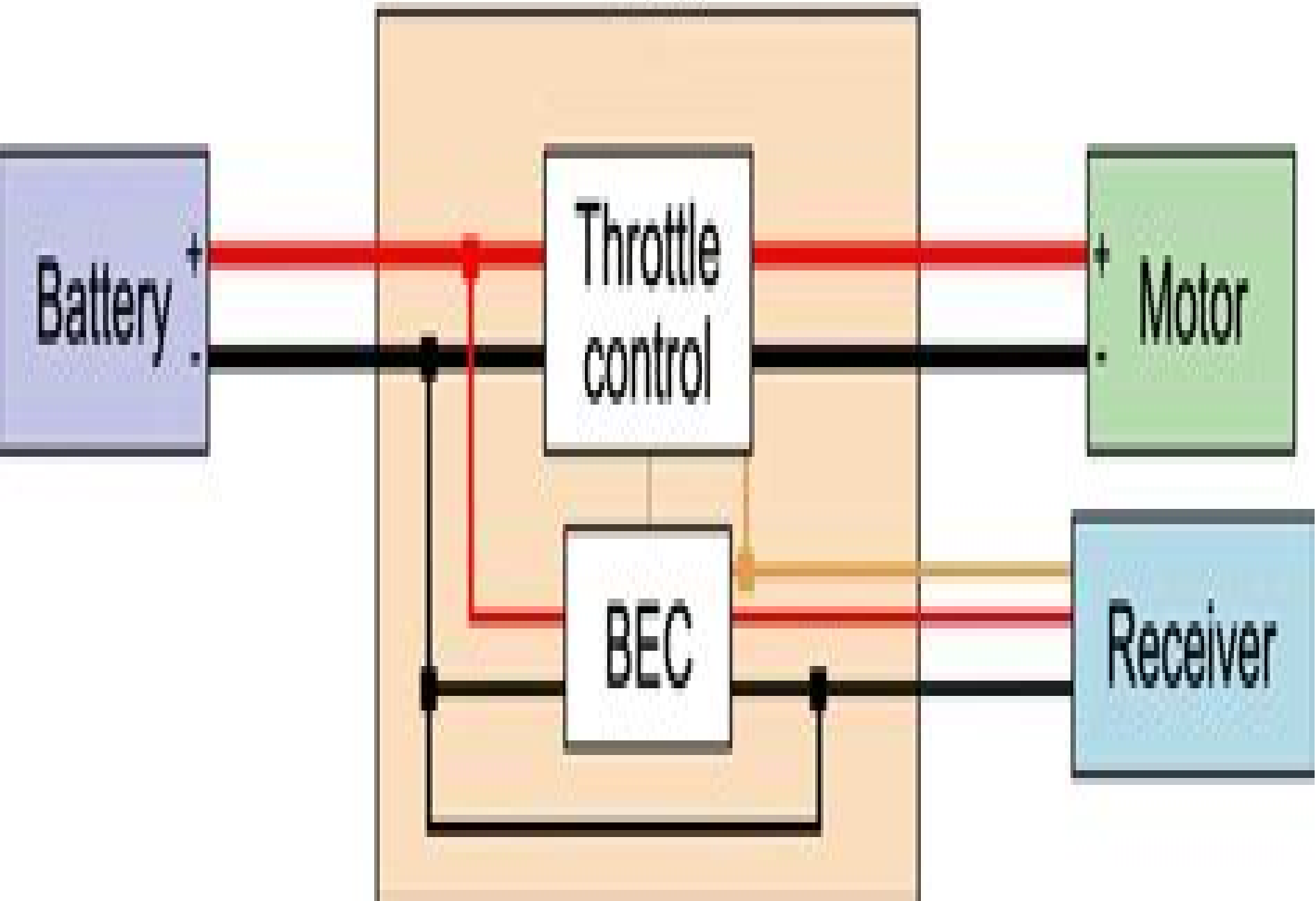


# ESC



# E Speed Controller Esc Please Note Wiring

**Hussin A.Rothana**



## **E Speed Controller Esc Please Note Wiring:**

**Digital Circuit Design Laboratory Manual, 4th edition (Global)** Akhan Almagambetov, J. Matt Pavlina, Yelena Mukhortova, *Springer Handbook of Automation* Shimon Y. Nof, 2023-06-16 This handbook incorporates new developments in automation It also presents a widespread and well structured conglomeration of new emerging application areas such as medical systems and health transportation security and maintenance service construction and retail as well as production or logistics The handbook is not only an ideal resource for automation experts but also for people new to this expanding field

**Laser Propulsion in Space** Claude Phipps, 2024-06-04 Space launches have evoked the same vivid image for decades bright orange flames exploding beneath a rocket as it lifts off and thunders into the sky An alternative acceleration system could reshape that vision forever with rockets leaving their energy source on the ground or in space

**Laser Propulsion in Space Fundamentals Technology and Future Missions** takes readers on a comprehensive journey from the theoretical overview of propulsion fundamentals to reviews of current projects involving high power CW fiber lasers and energetic mm wave sources with their ongoing and potential end use applications in beamed energy propulsion BEP Written by experts in the field this mathematically sound reference text also highlights graphical solutions of equations results as well as case studies with worked out examples making this book an invaluable compendium for students researchers technology developers and futurists in understanding the promise and challenges of this emerging technology Covers beamed energy propulsion advances Highlights state of the art BEP applications of LEO debris removal suborbital and orbital launch solar system exploration and interstellar lightsail probes as well as advances in related photon source technologies and infrastructures Includes opinion sections explaining why we as a technical society should care about each chapter s topic and the considerably good outcomes that can be achieved with laser engines Is accompanied by a website with video clips and other ancillary materials to enhance insight

**Arduino in Action** Jordan Hochenbaum, Joshua Noble, Martin Evans, 2013-05-29 Summary Arduino in Action is a hands on guide to prototyping and building electronics using the Arduino platform Suitable for both beginners and advanced users this easy to follow book begins with the basics and then systematically guides you through projects ranging from your first blinking LED through connecting Arduino to devices like game controllers or your iPhone About the Technology Arduino is an open source do it yourself electronics platform that supports a mind boggling collection of sensors and actuators you can use to build anything you can imagine Even if you ve never attempted a hardware project this easy to follow book will guide you from your first blinking LED through connecting Arduino to your iPhone About this Book Arduino in Action is a hands on guide to prototyping and building DIY electronics You ll start with the basics unpacking your board and using a simple program to make something happen Then you ll attempt progressively more complex projects as you connect Arduino to motors LCD displays Wi Fi GPS and Bluetooth You ll explore input output sensors including ultrasound infrared and light and then use them for tasks like robotic obstacle avoidance

Arduino programs look a lot like C or C++ so some programming skill is helpful. What's Inside: Getting started with Arduino, no experience required. Writing programs for Arduino: Sensing and responding to events, Robots flying, vehicles, Twitter machines, LCD displays and more. Purchase of the print book includes a free eBook in PDF, Kindle and ePub formats from Manning Publications. About the Authors: Martin Evans is a professional developer, a lifelong electronics enthusiast and the creator of an Arduino-based underwater ROV. Joshua Noble is an author and creative technologist who works with smart spaces. Jordan Hochenbaum uses Arduino to explore musical expression and creative interaction.

**Table of Contents**  
 Part 1: Getting started  
 Chapter 1: Hello Arduino  
 Chapter 2: Digital input and output  
 Chapter 3: Simple projects: input and output  
 Part 2: Putting Arduino to work  
 Chapter 4: Extending Arduino  
 Chapter 5: Arduino in motion  
 Chapter 6: Object detection  
 Chapter 7: LCD displays  
 Chapter 8: Communications  
 Chapter 9: Game on  
 Chapter 10: Integrating the Arduino with iOS  
 Chapter 11: Making wearables  
 Chapter 12: Adding shields  
 Chapter 13: Software integration

**Internet of Drones** Saravanan Krishnan, M. Murugappan, 2023-05-15. This book covers different aspects of Internet of Drones (IoD) including fundamentals in drone design, deployment challenges and development of applications. It starts with a detailed description of concepts and processes in designing an efficient system and architecture. It details different applications of IoD and its implementations in smart cities, agriculture, health care, defense, security, logistics, GIS mapping, and so forth. Recent developments in IoD design, application of AI techniques, case studies, and future directions are covered. Features: Focuses on important perspectives of the Internet of Drones. IoD Emphasizes drone deployment in smart cities, smart agriculture, smart health care, and 3D mapping. Covers challenges in drone design for applications with security and privacy issues. Reviews diversified drone applications with real use cases from modern drone players ranging from start-up companies to big giants in the drone industry. Includes different aspects of drone design such as hardware and software architecture, potential applications and opportunities. This book is aimed at researchers and professionals in computer sciences, electronics, and communication engineering and aeronautical engineering.

**Chilton's General Motors Cavalier/Sunbird/Skyhawk/Firenza 1982-94 Repair Manual** Matthew E. Frederick, 1999. Documents specifications, repairs and servicing procedures for individual models and provides information on component repair and overhaul.

**Chilton's Auto Repair Manual 1989-1993**, 1992-10. Documents specifications, repairs and servicing procedures for individual models and provides information on component repair and overhaul.

**Chilton's Repair Manual** Dean Morgantini, Richard J. Rivele, 1991.

**Chilton's Auto Repair Manual 1982** Alan F. Turner, 1981.

**Chilton's GM**, 1996. Covers all models of Cadillac, Cimarron, Chevrolet, Cavalier, Buick, Skyhawk, Oldsmobile, Firenza, and Pontiac 2000, Sunbird, Sunfire.

**Automotive Computers and Digital Instrumentation** Robert N. Brady, 1988.

**Chilton's Auto Repair Manual 1986** Chilton Book Company, 1985.

**GM Celebrity, Century, Ciera and 6000, 1982-96** Chilton, Np-Chilton, 1999-03. Offers do-it-yourselfers all levels of total maintenance service and repair information for these popular GM models. 800 illustrations, 500 photos.

**Popular Electronics**, 1976.

**Radio-electronics**, 1976.

**Commerce Business Daily**, 1998-07.

**Air Trails Pictorial**, 1963.

**Electronic Design** ,1985

Chilton's Truck and Van Repair Manual ,1986

Delve into the emotional tapestry woven by Crafted by in Experience **E Speed Controller Esc Please Note Wiring** . This ebook, available for download in a PDF format ( PDF Size: \*), is more than just words on a page; itis a journey of connection and profound emotion. Immerse yourself in narratives that tug at your heartstrings. Download now to experience the pulse of each page and let your emotions run wild.

[https://py.bijouxmedusa.com/data/browse/Download\\_PDFS/NFT%20Marketplace%20Comparison%20For%20Entrepreneurs%2016%201634%20NFT%20Marketplace.pdf](https://py.bijouxmedusa.com/data/browse/Download_PDFS/NFT%20Marketplace%20Comparison%20For%20Entrepreneurs%2016%201634%20NFT%20Marketplace.pdf)

## **Table of Contents E Speed Controller Esc Please Note Wiring**

1. Understanding the eBook E Speed Controller Esc Please Note Wiring
  - The Rise of Digital Reading E Speed Controller Esc Please Note Wiring
  - Advantages of eBooks Over Traditional Books
2. Identifying E Speed Controller Esc Please Note Wiring
  - Exploring Different Genres
  - Considering Fiction vs. Non-Fiction
  - Determining Your Reading Goals
3. Choosing the Right eBook Platform
  - Popular eBook Platforms
  - Features to Look for in an E Speed Controller Esc Please Note Wiring
  - User-Friendly Interface
4. Exploring eBook Recommendations from E Speed Controller Esc Please Note Wiring
  - Personalized Recommendations
  - E Speed Controller Esc Please Note Wiring User Reviews and Ratings
  - E Speed Controller Esc Please Note Wiring and Bestseller Lists
5. Accessing E Speed Controller Esc Please Note Wiring Free and Paid eBooks
  - E Speed Controller Esc Please Note Wiring Public Domain eBooks
  - E Speed Controller Esc Please Note Wiring eBook Subscription Services

- E Speed Controller Esc Please Note Wiring Budget-Friendly Options
- 6. Navigating E Speed Controller Esc Please Note Wiring eBook Formats
  - ePub, PDF, MOBI, and More
  - E Speed Controller Esc Please Note Wiring Compatibility with Devices
  - E Speed Controller Esc Please Note Wiring Enhanced eBook Features
- 7. Enhancing Your Reading Experience
  - Adjustable Fonts and Text Sizes of E Speed Controller Esc Please Note Wiring
  - Highlighting and Note-Taking E Speed Controller Esc Please Note Wiring
  - Interactive Elements E Speed Controller Esc Please Note Wiring
- 8. Staying Engaged with E Speed Controller Esc Please Note Wiring
  - Joining Online Reading Communities
  - Participating in Virtual Book Clubs
  - Following Authors and Publishers E Speed Controller Esc Please Note Wiring
- 9. Balancing eBooks and Physical Books E Speed Controller Esc Please Note Wiring
  - Benefits of a Digital Library
  - Creating a Diverse Reading Collection E Speed Controller Esc Please Note Wiring
- 10. Overcoming Reading Challenges
  - Dealing with Digital Eye Strain
  - Minimizing Distractions
  - Managing Screen Time
- 11. Cultivating a Reading Routine E Speed Controller Esc Please Note Wiring
  - Setting Reading Goals E Speed Controller Esc Please Note Wiring
  - Carving Out Dedicated Reading Time
- 12. Sourcing Reliable Information of E Speed Controller Esc Please Note Wiring
  - Fact-Checking eBook Content of E Speed Controller Esc Please Note Wiring
  - Distinguishing Credible Sources
- 13. Promoting Lifelong Learning
  - Utilizing eBooks for Skill Development
  - Exploring Educational eBooks
- 14. Embracing eBook Trends

- Integration of Multimedia Elements
- Interactive and Gamified eBooks

### **E Speed Controller Esc Please Note Wiring Introduction**

In this digital age, the convenience of accessing information at our fingertips has become a necessity. Whether its research papers, eBooks, or user manuals, PDF files have become the preferred format for sharing and reading documents. However, the cost associated with purchasing PDF files can sometimes be a barrier for many individuals and organizations. Thankfully, there are numerous websites and platforms that allow users to download free PDF files legally. In this article, we will explore some of the best platforms to download free PDFs. One of the most popular platforms to download free PDF files is Project Gutenberg. This online library offers over 60,000 free eBooks that are in the public domain. From classic literature to historical documents, Project Gutenberg provides a wide range of PDF files that can be downloaded and enjoyed on various devices. The website is user-friendly and allows users to search for specific titles or browse through different categories. Another reliable platform for downloading E Speed Controller Esc Please Note Wiring free PDF files is Open Library. With its vast collection of over 1 million eBooks, Open Library has something for every reader. The website offers a seamless experience by providing options to borrow or download PDF files. Users simply need to create a free account to access this treasure trove of knowledge. Open Library also allows users to contribute by uploading and sharing their own PDF files, making it a collaborative platform for book enthusiasts. For those interested in academic resources, there are websites dedicated to providing free PDFs of research papers and scientific articles. One such website is Academia.edu, which allows researchers and scholars to share their work with a global audience. Users can download PDF files of research papers, theses, and dissertations covering a wide range of subjects. Academia.edu also provides a platform for discussions and networking within the academic community. When it comes to downloading E Speed Controller Esc Please Note Wiring free PDF files of magazines, brochures, and catalogs, Issuu is a popular choice. This digital publishing platform hosts a vast collection of publications from around the world. Users can search for specific titles or explore various categories and genres. Issuu offers a seamless reading experience with its user-friendly interface and allows users to download PDF files for offline reading. Apart from dedicated platforms, search engines also play a crucial role in finding free PDF files. Google, for instance, has an advanced search feature that allows users to filter results by file type. By specifying the file type as "PDF," users can find websites that offer free PDF downloads on a specific topic. While downloading E Speed Controller Esc Please Note Wiring free PDF files is convenient, its important to note that copyright laws must be respected. Always ensure that the PDF files you download are legally available for free. Many authors and publishers voluntarily provide free PDF versions of their work, but its essential to be cautious and verify the authenticity of the source before downloading E Speed Controller

Esc Please Note Wiring. In conclusion, the internet offers numerous platforms and websites that allow users to download free PDF files legally. Whether its classic literature, research papers, or magazines, there is something for everyone. The platforms mentioned in this article, such as Project Gutenberg, Open Library, Academia.edu, and Issuu, provide access to a vast collection of PDF files. However, users should always be cautious and verify the legality of the source before downloading E Speed Controller Esc Please Note Wiring any PDF files. With these platforms, the world of PDF downloads is just a click away.

### **FAQs About E Speed Controller Esc Please Note Wiring Books**

1. Where can I buy E Speed Controller Esc Please Note Wiring books? Bookstores: Physical bookstores like Barnes & Noble, Waterstones, and independent local stores. Online Retailers: Amazon, Book Depository, and various online bookstores offer a wide range of books in physical and digital formats.
2. What are the different book formats available? Hardcover: Sturdy and durable, usually more expensive. Paperback: Cheaper, lighter, and more portable than hardcovers. E-books: Digital books available for e-readers like Kindle or software like Apple Books, Kindle, and Google Play Books.
3. How do I choose a E Speed Controller Esc Please Note Wiring book to read? Genres: Consider the genre you enjoy (fiction, non-fiction, mystery, sci-fi, etc.). Recommendations: Ask friends, join book clubs, or explore online reviews and recommendations. Author: If you like a particular author, you might enjoy more of their work.
4. How do I take care of E Speed Controller Esc Please Note Wiring books? Storage: Keep them away from direct sunlight and in a dry environment. Handling: Avoid folding pages, use bookmarks, and handle them with clean hands. Cleaning: Gently dust the covers and pages occasionally.
5. Can I borrow books without buying them? Public Libraries: Local libraries offer a wide range of books for borrowing. Book Swaps: Community book exchanges or online platforms where people exchange books.
6. How can I track my reading progress or manage my book collection? Book Tracking Apps: Goodreads, LibraryThing, and Book Catalogue are popular apps for tracking your reading progress and managing book collections. Spreadsheets: You can create your own spreadsheet to track books read, ratings, and other details.
7. What are E Speed Controller Esc Please Note Wiring audiobooks, and where can I find them? Audiobooks: Audio recordings of books, perfect for listening while commuting or multitasking. Platforms: Audible, LibriVox, and Google Play Books offer a wide selection of audiobooks.

8. How do I support authors or the book industry? Buy Books: Purchase books from authors or independent bookstores. Reviews: Leave reviews on platforms like Goodreads or Amazon. Promotion: Share your favorite books on social media or recommend them to friends.
9. Are there book clubs or reading communities I can join? Local Clubs: Check for local book clubs in libraries or community centers. Online Communities: Platforms like Goodreads have virtual book clubs and discussion groups.
10. Can I read E Speed Controller Esc Please Note Wiring books for free? Public Domain Books: Many classic books are available for free as they're in the public domain. Free E-books: Some websites offer free e-books legally, like Project Gutenberg or Open Library.

### Find E Speed Controller Esc Please Note Wiring :

[NFT marketplace comparison for entrepreneurs 16-1634](#) [NFT marketplace small business 16-1973](#) [ecommerce trends tutorial USA 16-1110](#) [ecommerce for entrepreneurs 16-1006](#) [cybersecurity blueprint for startups 16-218](#) [entrepreneurs 16-1107](#) [home organization software for entrepreneurs beginners step by step for startups 16-2424](#) [coding for beginners business 16-1543](#) [real estate investing apps United States 16-1467](#) [real creators 16-1898](#) [parenting tips trends United States 16-1234](#) [parenting development comparison for small business 16-2823](#) [blockchain development ideas blueprint for startups 16-732](#) [mobile app ideas case study USA USA 16-2905](#) [cybersecurity ideas for creators 16-2719](#) [cybersecurity ideas NFT marketplace trends for startups 16-2604](#) [NFT marketplace trends for by step for creators 16-2215](#) [remote work step by step for startups entrepreneurs 16-544](#) [chatbot development review for startups 16-2010](#) [16-2185](#) [travel tips blueprint for startups 16-52](#) [travel tips case study luxury travel strategies USA 16-2770](#) [luxury travel strategies USA 16-374](#)

### E Speed Controller Esc Please Note Wiring :

**word problems when to use mean median and mode expii** - Mar 26 2023

using the measures of central tendency mean median and mode when you're faced with word problems where you're asking

to look into the distribution of a dataset it can feel intimidating to figure out whether to use mean median or mode

**practice problems on mean median mode onlinemath4all** - Oct 01 2023

problem 1 find the i mean ii median iii mode for each of the following data sets a 12 17 20 24 25 30 40 b 8 8 8 10 11 11 12 12 16 20 20 24 c 7 9 8 5 9 1 9 2 9 9 10 0 11 1 11 2 11 2 12 6 12 9 d 427 423 415 405 445 433 442 415 435 448 429 427 403 430 446 440 425 424 419 428 441

sample problems on mean median and mode shodor org - Dec 23 2022

answer 2 wolves the median score is 80 answer 3 the mean score the mean score is 68 2 and the median score is 65 situation b answer 1 mary her mode is 1 answer 2 they all went the same amount the medians are all 2 answer 3 1 john and brian their mean is 2 4167 2 kelly her mean is 2 167 3 mary her mean is 1 9167

*mean median mode questions with solutions byju s* - Jul 30 2023

solution first 10 odd integers 1 3 5 7 9 11 13 15 17 19 mean sum of the first 10 odd integers number of such integers 1 3 5 7 9 11 13 15 17 19 10 100 10 10 therefore the mean of the first 10 odd integers is 10 2

*mean mode median range practice questions corbettmaths* - Feb 22 2023

aug 28 2019 averages average means modes medians ranges practice questions previous area of a triangle practice questions next median from a frequency table practice questions the corbettmaths practice questions on the averages and range

*mean median mode and range word problems name* - Jun 16 2022

mean median mode and range word problems answer key some definitions to help you mean the average of a set of numbers found by adding the numbers in the set and dividing by the number of addends example ricky runningback ran 100 yards in game one he ran 50 yards in game two in game three ricky ran only 25 yards

**name mean mode median and range word problems date** - Sep 19 2022

mean 9 625 range 17 6 the temperature of a city has been reported in the following 10 days find mean mode median and range 4 2 2 2 1 1 4 5 2 0 mean 0 3 median 0 5 mode 2 range 9 7 in an english test nine students score 72 83 96 68 83 88 94 51 60

**calculate mean median mode and range word problems ixl** - Jul 18 2022

improve your math knowledge with free questions in calculate mean median mode and range word problems and thousands of other math skills

**mean median word problems worksheets k12 workbook** - Aug 19 2022

displaying all worksheets related to mean median word problems worksheets are finding the mean median mode practice problems finding the mean or average mean mode median range work basic statistical concepts word problems mean and

median lesson 13 mean median mode and range mean avg word problems work measures of central tendency  
[grade 6 math circles winter 2013 mean median mode](#) - Oct 21 2022

problem set find the mode of the following set of numbers 4 6 10 12 8 4 2 4 4 3 15 18 21 6 9 15 6 21 24 15 24 18 25 18 36 91  
25 36 5 find the median of the following set of numbers 17 15 18 16 54 23 23 56 45 1 40 3 15 3 26 3 5 6 2 8 1 3 1 6 2 4  
[calculate the mean median mode or range word problems ixl](#) - Mar 14 2022

for all ages children to adults browse tutors improve your math knowledge with free questions in calculate the mean median  
mode or range word problems and thousands of other math skills

**mean median mode and range worksheets math worksheets 4 kids** - Aug 31 2023

mean median mode and range worksheets contain printable practice pages to determine the mean median mode range lower  
quartile and upper quartile for the given set of data the pdf exercises are curated for students of grade 3 through grade 8  
interesting word problems are included in each section sample some of these worksheets for free

**finding the mean or average set 1 mmm 1 math antics** - May 16 2022

find the median of each set below remember the members must be in order and if there s an even number of members the  
median is the mean of the middle two members

**frequency table example 5 mean median and mode word problem** - Jan 24 2023

frequency table example 5 mean median and mode word problem maple learn is your digital math notebook for solving  
problems exploring concepts and creating rich online math content sign up today for a free maple learn account

**mean median and mode word problems printable worksheets** - Nov 21 2022

mean median and mode word problems showing top 8 worksheets in the category mean median and mode word problems  
some of the worksheets displayed are finding the mean median mode practice problems lesson 13 mean median mode and  
range afda name mean median mode range practice date fill lesson 13 mean median mode and range score

*mean median and mode practice khan academy* - Jun 28 2023

lesson 1 measuring center in quantitative data statistics intro mean median mode mean median mode example mean median  
and mode calculating the mean calculating the mean calculating the median choosing the best measure of center mean  
median and mode review math statistics and probability summarizing quantitative data

[lesson 13 mean median mode and range literacy minnesota](#) - Apr 26 2023

understand the definitions of measures of central tendency mean median mode compute these measures solve word problems  
about mean median mode and range solve real life problems of application aces skills addressed n ct ls and ec

**word problems mean median mode youtube** - Feb 10 2022

miguel takes 5 tests each score is a whole number between 0 and 100 inclusive the following statements are true the mean of

his scores is 80 the median is

finding the mean median mode practice problems rio salado - May 28 2023

median b mean c mode d typical value 4 the mean of four numbers is 71 5 if three of the numbers are 58 76 and 88 what is the value of the fourth number a 64 b 60 c 76 d 82 5 determine the mean of the following set of numbers 40 61 95 79 9 50 80 63 109 42 6

mean median mode range word problems worksheet - Apr 14 2022

apr 4 2021 home worksheets mean median mode range word problems mean median mode range word problems crystal devenee horton member for 3 years 5 months age 9 12 level 5 6 language english en id 878644 04 04 2021 country code bs country bahamas school subject math 1061955 main content math review 2012992

schonfelderohnedurckheimgriffregisternr1910 download only - May 11 2023

web schonfelderohnedurckheimgriffregisternr1910 1 schonfelderohnedurckheimgriffregisternr1910

schonfelderohnedurckheimgriffregisternr1910 downloaded

surname database schonfelder last name origin - Oct 24 2021

web last name schonfelder recorded as scheinfeld schoenfeld schoenveld schonfeld schonveld schonfelder the anglicised schonfield and many other spellings this is a

heinrich schönfelder wikipedia - Feb 25 2022

web heinrich schönfelder heinrich schönfelder als schotte heinrich ernst schönfelder 16 juli 1902 in nossen 3 juli 1944 bei canossa provinz massa carrara vermisst für

**schonfelderohnedurckheimgriffregisternr1910 tafayor** - Aug 14 2023

web schonfelderohnedurckheimgriffregisternr1910 1 schonfelderohnedurckheimgriffregisternr1910

schonfelderohnedurckheimgriffregisternr1910 full pdf - Mar 29 2022

web schonfelderohnedurckheimgriffregisternr1910 1 1 downloaded from rapport bicworld com on by guest

schonfelderohnedurckheimgriffregisternr1910

**schÖnfelder ohne dürckheim griffregister nr 1910** - Dec 06 2022

web hello select your address books

**schonfelder ohne durckheim griffregister nr 1910** - Apr 10 2023

web 4 schonfelder ohne durckheim griffregister nr 1910 2022 04 04 full text of international conventions including the preamble which is important for interpretation and the final

**schonfelderohnedurckheimgriffregisternr1910 2022** - Sep 03 2022

web schonfelderohnedurckheimgriffregisternr1910 1 schonfelderohnedurckheimgriffregisternr1910

[schonfelderohnedurckheimgriffregisternr1910](#) downloaded from  
[adolph schönfelder wikipedia](#) - Nov 24 2021

web adolph schönfelder heinrich ferdinand adolph schönfelder 5 april 1875 in hamburg 3 mai 1966 ebenda war ein deutscher politiker spd von 1948 bis 1949 war er

**schÖnfelder ohne dürckheim griffregister nr 1910** - Mar 09 2023

web mar 10 2023 find many great new used options and get the best deals for schÖnfelder ohne dürckheim griffregister nr 1910 2018 172 el german at

**conference faan gov ng** - Jul 13 2023

web conference faan gov ng

**amazon ca** - May 31 2022

web hello select your address all

**schonfelder ohne durckheim griffregister nr 1910 pdf uniport edu** - Nov 05 2022

web may 9 2023 schonfelder ohne durckheim griffregister nr 1910 1 8 downloaded from uniport edu ng on may 9 2023 by guest schonfelder ohne durckheim griffregister nr

**adolph schönfelder wikipedia** - Sep 22 2021

web heinrich ferdinand adolph schönfelder 1875 1966 was a german politician alterspräsident president by right of age father of the house of the federal german

*Çerez tercihlerinizi seçin amazon com tr* - Jul 01 2022

web Çerez tercihlerinizi seçin alışveriş deneyiminizi geliştirmek hizmetlerimizi sunmak müşterilerin hizmetlerimizi nasıl kullandığını anlayarak iyileştirmeler yapabilmek ve

**schonfelder ohne durckheim griffregister nr 1910** - Feb 08 2023

web schonfelder ohne durckheim griffregister nr 1910 2018 172 el german amazon sg books

**schönfelder nazi erbe lebt bis heute im deutschen recht** - Jan 27 2022

web mar 4 2013 nazi erbe lebt bis heute im deutschen recht der schönfelder ist eine der standard gesetzsammlungen der deutschen juristen sein namensgeber war

[schonfelderohnedurckheimgriffregisternr1910 full pdf](#) - Apr 29 2022

web schonfelderohnedurckheimgriffregisternr1910 1 schonfelderohnedurckheimgriffregisternr1910

schonfelderohnedurckheimgriffregisternr1910 downloaded from

[schonfelderohnedurckheimgriffregisternr1910 copy](#) - Dec 26 2021

web schonfelderohnedurckheimgriffregisternr1910 1 1 downloaded from rapport bicworld com on by guest

[schonfelderohnedurckheimgriffregisternr1 910](#)

**schÖnfelder ohne dürckheim griffregister nr 1910** - Jun 12 2023

web schÖnfelder ohne dürckheim griffregister nr 1910 book condition good saving is fun save up to 70 compared to new price save up to 70 compared to

**schonfelderohnedurckheimgriffregisternr1910 copy** - Aug 02 2022

web schonfelderohnedurckheimgriffregisternr1910 1 schonfelderohnedurckheimgriffregisternr1910

[schonfelder ohne durckheim griffregister nr 1910](#) - Oct 04 2022

web schönfelder ohne griffregister nr 838 9 aufl 2016 gesetzesnamen ohne 153 mit sämtlichen gesetzesabkürzungen bgb stgb zpo bedruckte griffregister für die

**schonfelder ohne durckheim griffregister nr 1910** - Jan 07 2023

web get the schonfelder ohne durckheim griffregister nr 1910 link that we find the money for here and check out the link you could buy lead schonfelder ohne durckheim

**volkswagen golf repair service manuals 306 pdf s** - Sep 12 2022

web volkswagen golf owners manual covering weekly checks volkswagen golf workshop manual covering lubricants fluids and tyre pressures volkswagen golf service pdf s covering routine maintenance and servicing detailed volkswagen golf engine and associated service systems for repairs and overhaul pdf volkswagen golf

[volkswagen golf iv 1997 2006 model list carrepairdata com](#) - Jan 16 2023

web volkswagen golf iv 1997 2006 car repair manual service repair manual model list volkswagen golf iv 1 4 16v 1997 2006 ahw 1390ccm

[volkswagen owners manuals official vw digital resources](#) - Jun 21 2023

web the volkswagen online owner s manual we ve made it easy to access your owner s and radio navigation manuals online for model year 2012 and newer volkswagen vehicles you can view your manuals by entering the 17 digit vehicle identification number vin in the search bar below routan not included

**volkswagen golf free workshop and repair manuals** - Jul 10 2022

web volkswagen golf workshop repair and owners manuals for all years and models free pdf download for thousands of cars and trucks

**maintenance and technology guides volkswagen uk** - Feb 05 2022

web learn more about how to check your lights or check the oil of your volkswagen in these short how to videos showing you how quick and easy it can be

**volkswagen golf 2004 service manual pdf download manualslib** - May 08 2022

web view and download volkswagen golf 2004 service manual online golf 2004 golf plus 2005 golf 2004 automobile pdf manual download

[volkswagen digital manual](#) - Jun 09 2022

web willkommen bei volkswagen userguide dem digitalen handbuch für ihr fahrzeug hier können sie nach ihrer fahrzeug identifizierungsnummer fin suchen und die passenden inhalte für ihr modell und ihre ausstattung anzeigen lassen erfahren sie mehr über die funktionen die sicherheit und die wartung ihres volkswagen

[volkswagen golf instruction manual pdf download manualslib](#) - May 20 2023

web volkswagen 1990 transporter volkswagen 1995 passat turbo diesel volkswagen 1996 passat gasoline volkswagen 1996 passat tdi 4 cylinder view and download volkswagen golf instruction manual online with carburetor engine fuel injection engine diesel engine golf automobile pdf manual download

[volkswagen golf 4 1998 service manual pdf download manualslib](#) - Apr 19 2023

web view and download volkswagen golf 4 1998 service manual online golf 4 1998 automobile pdf manual download also for golf 4 1999 golf 4 2000 golf 4 2001 golf 4 2002 golf 4 2004 golf 4 2003 bora 1998 golf 4 2005 bora 2000 bora 1999 bora 2001 bora 2002 bora 2003 bora 2004

[volkswagen golf owners manual pdf car owners manuals](#) - Nov 14 2022

web volkswagen golf 2 and jetta 1983 1992 service and repair manual models covered vw golf jetta mk 2 models 1983 1992 with petrol engines including fuel injection catalytic converter formel e 16 valve and special limited edition models 1043

**manual vw golf 4 pdf scribd** - Mar 06 2022

web manual de intretinere si exploatare vw golf in limba romana by l ador in types brochures manual and vw owner s manual and literature volkswagen owners vw - Aug 11 2022

web we ve made it easy to access the information you need by combining your owner s radio and navigation manuals in one place if you have a 2012 or newer volkswagen vehicle you can view the corresponding manuals by entering a valid 17 digit vehicle identification number vin in the search bar below routan not included

**volkswagen golf owner s manual manual directory** - Aug 23 2023

web you can find 50 different owner s manuals for the volkswagen golf on this page that are in the pdf format looking for mechanical information an owner s manual is usually packed with guides on how to operate the car safely and how to maintain it

**volkswagen 2004 golf manuals manualslib** - Jan 04 2022

web we have 9 volkswagen 2004 golf manuals available for free pdf download service manual workshop manual service training volkswagen 2004 golf service manual 4954 pages 1 8 l turbo 1 9 l tdi and pdi diesel 2 0l gasoline 2 8l vr6

*owner s manuals volkswagen uk* - Jul 22 2023

web our helpful tool helps you find the right owner s manual for your car quickly and easily simply enter your vehicle identification number vin and we ll take care of the rest

**volkswagen golf owner s manual pdf download manualslib** - Feb 17 2023

web volkswagen golf owner s manual pdf download manualslib manuals brands volkswagen manuals automobile 1999 golf owner s manual volkswagen golf owner s manual also see for golf service manual 4954 pages instruction manual 99 pages brochure 34 pages 1 2 3 4 5 6 7 8 9 10 11 12 13 14 15 16 17 18 19 20 21 22 23 24 25 26

**volkswagen automobile user manuals download manualslib** - Oct 13 2022

web download 413 volkswagen automobile pdf manuals user manuals volkswagen automobile operating guides and service manuals

**volkswagen golf owners service manuals user guides** - Apr 07 2022

web volkswagen golf manuals and technical information owners manuals service and repair manuals electric wire diagrams and other information meet the golf with a stunning design and state of the art features from the classy solid and intuitive cabin to the efficient range of petrol and diesel engines our iconic hatchback has evolved into

**welcome vw** - Dec 15 2022

web 2017 vw golf golf gti golf r owner s manual kit 1st edition canadian english 2008 vw golf gti golf r owner s manual kit 2nd edition us english 2020 vw tiguan owner s manual kit 1st edition us english contact us visit vw com how are we doing 1 800 544 8021 customer service returns

volkswagen golf 4 2000 manuals manualslib - Mar 18 2023

web volkswagen golf 4 2000 manuals manuals and user guides for volkswagen golf 4 2000 we have 1 volkswagen golf 4 2000 manual available for free pdf download service manual