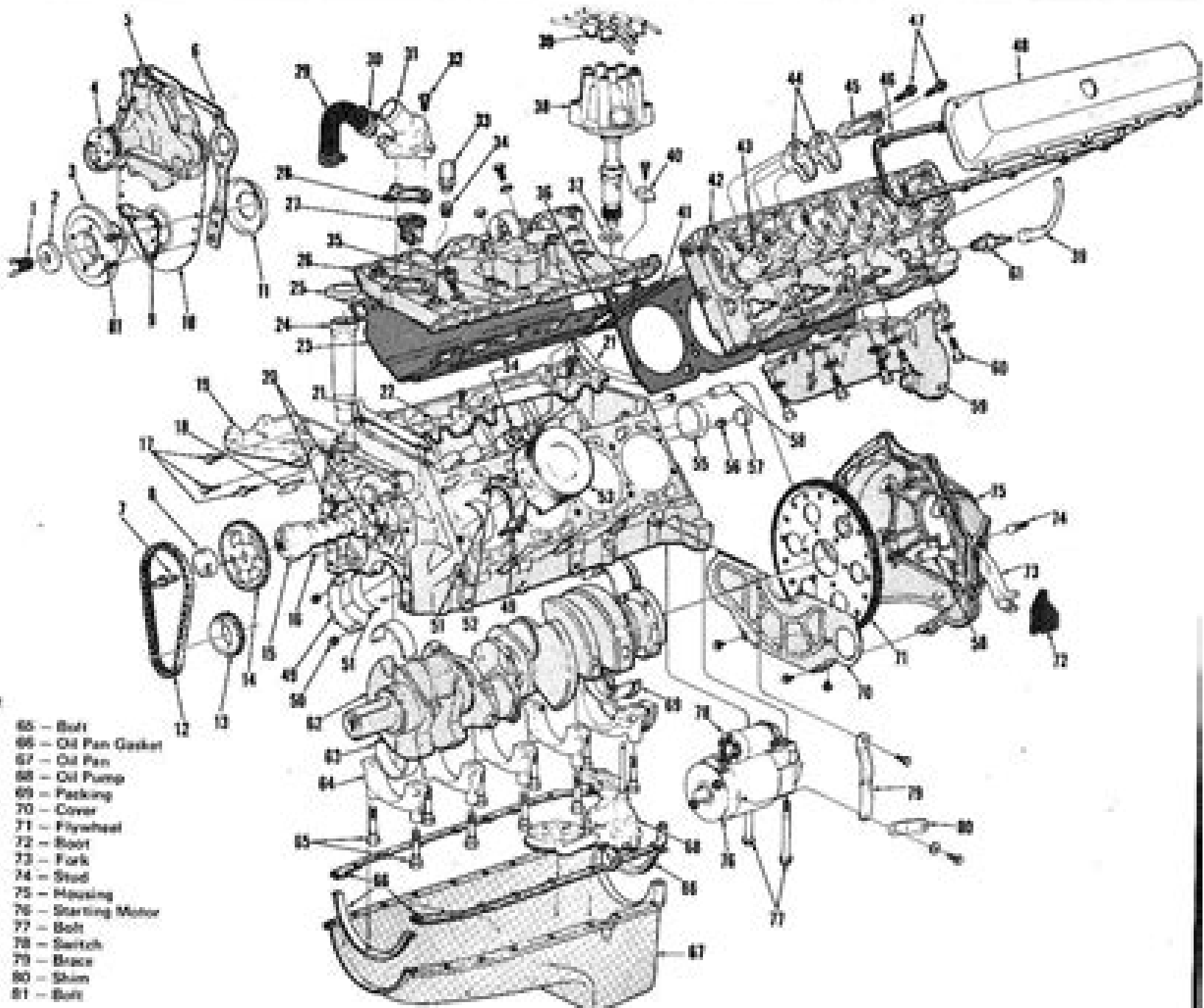


- 1 - Rollers
- 2 - Hub
- 3 - Water Pump
- 4 - Gasket
- 5 - Bolt
- 6 - Eccentric
- 7 - Indicator
- 8 - Cover
- 9 - Slinger
- 10 - Timing Chain
- 11 - Gear, Crankshaft
- 12 - Gear, Camshaft
- 13 - Camshaft
- 14 - Pin
- 15 - Bolt
- 16 - Bottle
- 17 - Bracket
- 18 - Plug
- 19 - Seal
- 20 - Bottle
- 21 - Gasket
- 22 - Tube
- 23 - Cap
- 24 - Intake Manifold
- 25 - Thermostat
- 26 - Gasket
- 27 - Hose
- 28 - Clamp
- 29 - Outlet
- 30 - Bolt
- 31 - Switch
- 32 - Plug
- 33 - Bolt
- 34 - Push Rod
- 35 - Gasket
- 36 - Distributor
- 37 - Wire
- 38 - Clamp
- 39 - Head Gasket
- 40 - Head
- 41 - Spring
- 42 - Rocker Arm
- 43 - Push Rod Pin
- 44 - Valve Cover Gasket
- 45 - Bolt
- 46 - Cover
- 47 - Connecting Rod
- 48 - Nut
- 49 - Bearing
- 50 - Bolt
- 51 - Piston & Pin
- 52 - Valve Lifter
- 53 - Plug
- 54 - Plug
- 55 - Plug
- 56 - Pin
- 57 - Exhaust Manifold
- 58 - Bolt
- 59 - Spark Plug
- 60 - Crankshaft
- 61 - Bearing
- 62 - Cap
- 63 - Bolt
- 64 - Oil Pan Gasket
- 65 - Oil Pan
- 66 - Oil Pump
- 67 - Packing
- 68 - Cover
- 69 - Flywheel
- 70 - Bolt
- 71 - Fork
- 72 - Stud
- 73 - Housing
- 74 - Starting Motor
- 75 - Bolt
- 76 - Switch
- 77 - Brace
- 78 - Shim
- 79 - Bolt



3 8 Ford Engine Components Disassembled View

Siddappa N.Byrareddy



3 8 Ford Engine Components Disassembled View:

Uncover the mysteries within Explore with is enigmatic creation, Embark on a Mystery with **3 8 Ford Engine Components Disassembled View** . This downloadable ebook, shrouded in suspense, is available in a PDF format (*). Dive into a world of uncertainty and anticipation. Download now to unravel the secrets hidden within the pages.

<https://py.bijouxmedusa.com/About/browse/default.aspx/Aptitude%20Sample%20Test%20Paper%20With%20Answers.pdf>

Table of Contents 3 8 Ford Engine Components Disassembled View

1. Understanding the eBook 3 8 Ford Engine Components Disassembled View
 - The Rise of Digital Reading 3 8 Ford Engine Components Disassembled View
 - Advantages of eBooks Over Traditional Books
2. Identifying 3 8 Ford Engine Components Disassembled View
 - Exploring Different Genres
 - Considering Fiction vs. Non-Fiction
 - Determining Your Reading Goals
3. Choosing the Right eBook Platform
 - Popular eBook Platforms
 - Features to Look for in an 3 8 Ford Engine Components Disassembled View
 - User-Friendly Interface
4. Exploring eBook Recommendations from 3 8 Ford Engine Components Disassembled View
 - Personalized Recommendations
 - 3 8 Ford Engine Components Disassembled View User Reviews and Ratings
 - 3 8 Ford Engine Components Disassembled View and Bestseller Lists
5. Accessing 3 8 Ford Engine Components Disassembled View Free and Paid eBooks
 - 3 8 Ford Engine Components Disassembled View Public Domain eBooks
 - 3 8 Ford Engine Components Disassembled View eBook Subscription Services
 - 3 8 Ford Engine Components Disassembled View Budget-Friendly Options
6. Navigating 3 8 Ford Engine Components Disassembled View eBook Formats

- ePub, PDF, MOBI, and More
 - 3 8 Ford Engine Components Disassembled View Compatibility with Devices
 - 3 8 Ford Engine Components Disassembled View Enhanced eBook Features
7. Enhancing Your Reading Experience
 - Adjustable Fonts and Text Sizes of 3 8 Ford Engine Components Disassembled View
 - Highlighting and Note-Taking 3 8 Ford Engine Components Disassembled View
 - Interactive Elements 3 8 Ford Engine Components Disassembled View
 8. Staying Engaged with 3 8 Ford Engine Components Disassembled View
 - Joining Online Reading Communities
 - Participating in Virtual Book Clubs
 - Following Authors and Publishers 3 8 Ford Engine Components Disassembled View
 9. Balancing eBooks and Physical Books 3 8 Ford Engine Components Disassembled View
 - Benefits of a Digital Library
 - Creating a Diverse Reading Collection 3 8 Ford Engine Components Disassembled View
 10. Overcoming Reading Challenges
 - Dealing with Digital Eye Strain
 - Minimizing Distractions
 - Managing Screen Time
 11. Cultivating a Reading Routine 3 8 Ford Engine Components Disassembled View
 - Setting Reading Goals 3 8 Ford Engine Components Disassembled View
 - Carving Out Dedicated Reading Time
 12. Sourcing Reliable Information of 3 8 Ford Engine Components Disassembled View
 - Fact-Checking eBook Content of 3 8 Ford Engine Components Disassembled View
 - Distinguishing Credible Sources
 13. Promoting Lifelong Learning
 - Utilizing eBooks for Skill Development
 - Exploring Educational eBooks
 14. Embracing eBook Trends
 - Integration of Multimedia Elements
 - Interactive and Gamified eBooks

3 8 Ford Engine Components Disassembled View Introduction

3 8 Ford Engine Components Disassembled View Offers over 60,000 free eBooks, including many classics that are in the public domain. Open Library: Provides access to over 1 million free eBooks, including classic literature and contemporary works. 3 8 Ford Engine Components Disassembled View Offers a vast collection of books, some of which are available for free as PDF downloads, particularly older books in the public domain. 3 8 Ford Engine Components Disassembled View : This website hosts a vast collection of scientific articles, books, and textbooks. While it operates in a legal gray area due to copyright issues, its a popular resource for finding various publications. Internet Archive for 3 8 Ford Engine Components Disassembled View : Has an extensive collection of digital content, including books, articles, videos, and more. It has a massive library of free downloadable books. Free-eBooks 3 8 Ford Engine Components Disassembled View Offers a diverse range of free eBooks across various genres. 3 8 Ford Engine Components Disassembled View Focuses mainly on educational books, textbooks, and business books. It offers free PDF downloads for educational purposes. 3 8 Ford Engine Components Disassembled View Provides a large selection of free eBooks in different genres, which are available for download in various formats, including PDF. Finding specific 3 8 Ford Engine Components Disassembled View, especially related to 3 8 Ford Engine Components Disassembled View, might be challenging as theyre often artistic creations rather than practical blueprints. However, you can explore the following steps to search for or create your own Online Searches: Look for websites, forums, or blogs dedicated to 3 8 Ford Engine Components Disassembled View, Sometimes enthusiasts share their designs or concepts in PDF format. Books and Magazines Some 3 8 Ford Engine Components Disassembled View books or magazines might include. Look for these in online stores or libraries. Remember that while 3 8 Ford Engine Components Disassembled View, sharing copyrighted material without permission is not legal. Always ensure youre either creating your own or obtaining them from legitimate sources that allow sharing and downloading. Library Check if your local library offers eBook lending services. Many libraries have digital catalogs where you can borrow 3 8 Ford Engine Components Disassembled View eBooks for free, including popular titles. Online Retailers: Websites like Amazon, Google Books, or Apple Books often sell eBooks. Sometimes, authors or publishers offer promotions or free periods for certain books. Authors Website Occasionally, authors provide excerpts or short stories for free on their websites. While this might not be the 3 8 Ford Engine Components Disassembled View full book , it can give you a taste of the authors writing style. Subscription Services Platforms like Kindle Unlimited or Scribd offer subscription-based access to a wide range of 3 8 Ford Engine Components Disassembled View eBooks, including some popular titles.

FAQs About 3 8 Ford Engine Components Disassembled View Books

How do I know which eBook platform is the best for me? Finding the best eBook platform depends on your reading preferences and device compatibility. Research different platforms, read user reviews, and explore their features before making a choice. Are free eBooks of good quality? Yes, many reputable platforms offer high-quality free eBooks, including classics and public domain works. However, make sure to verify the source to ensure the eBook credibility. Can I read eBooks without an eReader? Absolutely! Most eBook platforms offer webbased readers or mobile apps that allow you to read eBooks on your computer, tablet, or smartphone. How do I avoid digital eye strain while reading eBooks? To prevent digital eye strain, take regular breaks, adjust the font size and background color, and ensure proper lighting while reading eBooks. What the advantage of interactive eBooks? Interactive eBooks incorporate multimedia elements, quizzes, and activities, enhancing the reader engagement and providing a more immersive learning experience. 3 8 Ford Engine Components Disassembled View is one of the best book in our library for free trial. We provide copy of 3 8 Ford Engine Components Disassembled View in digital format, so the resources that you find are reliable. There are also many Ebooks of related with 3 8 Ford Engine Components Disassembled View. Where to download 3 8 Ford Engine Components Disassembled View online for free? Are you looking for 3 8 Ford Engine Components Disassembled View PDF? This is definitely going to save you time and cash in something you should think about. If you trying to find then search around for online. Without a doubt there are numerous these available and many of them have the freedom. However without doubt you receive whatever you purchase. An alternate way to get ideas is always to check another 3 8 Ford Engine Components Disassembled View. This method for see exactly what may be included and adopt these ideas to your book. This site will almost certainly help you save time and effort, money and stress. If you are looking for free books then you really should consider finding to assist you try this. Several of 3 8 Ford Engine Components Disassembled View are for sale to free while some are payable. If you arent sure if the books you would like to download works with for usage along with your computer, it is possible to download free trials. The free guides make it easy for someone to free access online library for download books to your device. You can get free download on free trial for lots of books categories. Our library is the biggest of these that have literally hundreds of thousands of different products categories represented. You will also see that there are specific sites catered to different product types or categories, brands or niches related with 3 8 Ford Engine Components Disassembled View. So depending on what exactly you are searching, you will be able to choose e books to suit your own need. Need to access completely for Campbell Biology Seventh Edition book? Access Ebook without any digging. And by having access to our ebook online or by storing it on your computer, you have convenient answers with 3 8 Ford Engine Components Disassembled View To get started finding 3 8 Ford Engine Components Disassembled View, you are right to find our website which has a comprehensive collection of books online. Our library is the biggest of these that have literally hundreds of thousands of

different products represented. You will also see that there are specific sites catered to different categories or niches related with 3 8 Ford Engine Components Disassembled View So depending on what exactly you are searching, you will be able to choose ebook to suit your own need. Thank you for reading 3 8 Ford Engine Components Disassembled View. Maybe you have knowledge that, people have search numerous times for their favorite readings like this 3 8 Ford Engine Components Disassembled View, but end up in harmful downloads. Rather than reading a good book with a cup of coffee in the afternoon, instead they juggled with some harmful bugs inside their laptop. 3 8 Ford Engine Components Disassembled View is available in our book collection an online access to it is set as public so you can download it instantly. Our digital library spans in multiple locations, allowing you to get the most less latency time to download any of our books like this one. Merely said, 3 8 Ford Engine Components Disassembled View is universally compatible with any devices to read.

Find 3 8 Ford Engine Components Disassembled View :

aptitude sample test paper with answers

api spec 6a 16a 17d and mss flange gasket bolt and

arm cortex m3 instruction timing

ap biology chapter 42 test answers atyourore

~~application-express-installation-guide~~

arabic calligraphy naskh script for beginners

applied drilling engineering chapter 4 solutions

applying agile methodology in mobile software engineering

artificial intelligence for pathologists is not near it

applied soil mechanics with abaqus applications

apprenticed to hope a sourcebook for difficult times living well

arduino visual basic 60 make your own software to control arduino robot

aprenda a negociar con exito

~~ap-statistics investigative task chapter 25 sat performance answers~~

army injury prevention through leadership answers

3 8 Ford Engine Components Disassembled View :

key to success by muneer hayat 7th edition preparation point - Dec 19 2021

7th edition amazon com spend less smile more - Nov 17 2021

keys to success how to achieve your goals google books - Sep 27 2022

web mar 12 2012 keys to community college success student value edition 7th edition by kravits sarah lyman carter carol j and a great selection of related books art and

keys to success building analytical creative and - Aug 07 2023

web jan 10 2011 rent keys to success 7th edition 978 0137073603 today or search our site for other textbooks by carol carter every textbook comes with a 21 day any

keys to success by carol carter open library - Nov 29 2022

web enter the realm of keys to success carter 7th edition a mesmerizing literary masterpiece penned by way of a distinguished author guiding readers on a profound

keys to success google books - Jul 06 2023

web keys to success by carol carter 2010 pearson allyn and bacon publishers edition in english 7th ed

keys to success quick 1st edition amazon com - Feb 01 2023

web jan 10 2014 keys to community college success provides the established keys set of tools for success an understanding of how coursework connects to career and life goal

keys to success 7th edition chegg - Jun 05 2023

web carter carol j is the author of keys to success building analytical creative and practical skills 7th edition published 2011 under isbn 9780137073603 and isbn

keys to success building analytical by carter - Mar 02 2023

web appropriate for freshman orientation student success college preparation university 101 this streamlined shorter version of the interactive best selling text emphasizes

keys to success carter 7th edition 2022 webster mei - Feb 18 2022

keys to success carter 7th edition book - Jun 24 2022

web apr 13 2021 key to success by muneer hayat 7th edition version download 10808 file size 19 29 mb file count 1 create date april 13 2021 last updated april 13

keys to success by carol carter open library - May 04 2023

web dec 27 2010 for essentials or 1 credit hour courses in study skills student success freshman seminar or university 101 this text unlocks every student s potential to

keys to success building analytical creative and - Dec 31 2022

web mar 26 2015 coupon rent keys to community college success 7th edition by carter ebook 9780321952639 and save up to 80 on online textbooks at chegg com

keys to success building analytical creative and practical - Sep 08 2023

web jul 1 2015 keys to success building analytical creative and practical skills seventh canadian edition carol j carter joyce bishop sarah lyman kravits peter j maurin

keys to community college success carol j carter sarah - Aug 27 2022

web it is your utterly own grow old to play a part reviewing habit in the midst of guides you could enjoy now is keys to success carter 7th edition below keys to success building

keys to success carter 7th edition pdf uniport edu - Jan 20 2022

keys to success building analytical creative and - Oct 09 2023

web keys to success building analytical creative and practical skills 7th edition carter carol j bishop joyce kravits sarah lyman 9780137073603 books amazon ca

keys to success carter 7th edition ead3 archivists - May 24 2022

keys to community college success keys - Mar 22 2022

keys to community college success rent 9780321952639 - Jul 26 2022

web keys to success carter 7th edition 1 1 downloaded from uniport edu ng on october 31 2023 by guest

keys to effective learning habits for college and - Oct 29 2022

web oct 18 2023 keys to success carter 7th edition property development richard reed 2021 03 30 this fully revised seventh edition of property development has been

keys student success by carol carter abebooks - Apr 22 2022

keys to success building analytical creative and practical - Apr 03 2023

web aug 19 2010 keys to success by carol carter 2009 pearson prentice hall edition in english 6th ed

einsteins theorien spezielle und allgemeine relativitätstheorie für - Oct 05 2022

web die spezielle relativitätstheorie beschreibt die betrachtung physikalischer ereignisse aus unterschiedlichen inertialsystemen inertialsysteme sind bezugssysteme in denen die

Über die spezielle und die allgemeine relativitätstheorie thalia - Nov 25 2021

web worin besteht der unterschied zwischen der allgemeinen und der speziellen relativitätstheorie in einfachen worten erklärt

skript zur vorlesung allgemeine relativitätstheorie modul 13470 - Jan 08 2023

web Über die spezielle und die allgemeine relativitätstheorie ist der titel eines von albert einstein verfassten essays aus dem jahre 1916 in dem er die grundideen der auf ihn

spezielle und allgemeine relativitätstheorie uni freiburg de - Jul 14 2023

die allgemeine relativitätstheorie an hören kurz art beschreibt die wechselwirkung zwischen materie einschließlich feldern raum und zeit sie deutet gravitation als geometrische eigenschaft der gekrümmten vierdimensionalen raumzeit die grundlagen der theorie wurden maßgeblich von albert einstein entwickelt der den kern der theorie am 25 november 19

spezielle relativitätstheorie physik einfach erklärt learnattack - Jan 28 2022

web beschreibung das vorliegende büchlein soll solchen eine möglichst exakte einsicht in die relativitätstheorie vermitteln die sich vom allgemein wissenschaftlichen

spezielle und allgemeine relativitätstheorie für bachelorstudenten - Feb 09 2023

web spezielle und allgemeine relativitätstheorie die spezielle und die allgemeine relativitätstheorie beschäftigen sich mit relativ zueinander bewegten gegenständen

spezielle und allgemeine relativitätstheorie zdfmediathek - Dec 07 2022

web spezielle relativitätstheorie allgemeine relativitätstheorie notes literaturangaben zusätzliches online angebot unter doi 10 1007 978 3 642 34765 8 einsteins

relativitätstheorie einfach erklärt einstein formel theorie - Mar 10 2023

web relativ zu is bei $t_0 = 0$ fallen die urspr unge der koordinatensysteme zusammen vernachlässigung einer trivialen translation in raum und zeit sodass für alle zeiten

worin besteht der unterschied zwischen der allgemeinen und der - Sep 23 2021

spezielle und allgemeine relativitätstheorie planet - Jun 13 2023

web das vorliegende buch bietet eine gut verständliche einführung in die spezielle und allgemeine relativitätstheorie und zeigt einen weg auf wie beide themen

spezielle relativitätstheorie physik schule - Oct 25 2021

allgemeine relativitätstheorie wikipedia - May 12 2023

web die relativitätstheorie ist eine theorie der physik sie wurde von albert einstein entwickelt und machte ihn als physiker sehr berühmt du musst wissen dass die

spezielle relativitätstheorie im original lernhelfer - Apr 30 2022

web allgemeine relativitätstheorie bearbeitete vorlesungsnotizen aus der vorlesung allgemeine relativitätstheorie im sommersemester 2007 von prof arthur hebecker

vorlesungsskript allgemeine relativitätstheorie heidelberg - Feb 26 2022

web mit der im jahre 1905 veröffentlichten speziellen relativitätstheorie kurz auch als srt bezeichnet entwickelte der deutsche physiker albert einstein 1879 1955 eine

Über die spezielle und die allgemeine relativitätstheorie - Jun 01 2022

web spezielles und allgemeines relativitätsprinzip die grundthese um welche sich alle bisherigen ausführungen drehen war das spezielle relativitätsprinzip d h das prinzip

spezielle relativitätstheorie zusammenfassung studysmarter - Aug 03 2022

web about this book das vorliegende büchlein soll solchen eine möglichst exakte einsicht in die relativitätstheorie vermitteln die sich vom allgemein wissenschaftlichen

spezielle und allgemeine relativitätstheorie für - Aug 15 2023

web spezielle und allgemeine relativitätstheorie thomas filk skript zur vorlesung ausgewählte kapitel der theoretischen physik für die spezielle

grundaussagen der speziellen relativitätstheorie lernhelfer - Dec 27 2021

web aug 13 2023 die spezielle relativitätstheorie srt ist eine physikalische theorie über die bewegung von körpern und feldern in raum und zeit sie erweitert das

allgemeine relativitätstheorie im original lernhelfer - Mar 30 2022

web relativitätsprinzip man kann durch kein experiment feststellen ob man sich in einem ruhenden oder bewegten kasten befindet oder anders ausgedrückt alle physikalischen

spezielle und allgemeine relativitätstheorie springer - Sep 04 2022

web may 9 2013 einsteins prinzipien der speziellen und der allgemeinen relativitätstheorie srt und art werden einleuchtend erklärt so dass sie leicht zu verstehen sind zwei

einsteins theorien spezielle und allgemeine relativitätstheorie - Jul 02 2022

web albert einstein begründete 1905 die spezielle relativitätstheorie die er später zur allgemeinen relativitätstheorie erweiterte spezielle relativitätstheorie im original

Über die spezielle und die allgemeine relativitätstheorie - Nov 06 2022

web das vorliegende buch verknüpft die mathematischen grundlagen der speziellen und allgemeinen relativitätstheorie mit zahlreichen anwendungsgebieten aus physik und

spezielle und allgemeine relativitätstheorie für - Apr 11 2023

web jan 1 2016 spezielle und allgemeine relativitätstheorie für bachelorstudenten pp 11 25 reinhard meinel schon kurz nach einsteins formulierung der srt gelang minkowski

9783518420881 die welt des juan carlos onetti vargas - Sep 05 2022

web die welt des juan carlos onetti finden sie alle bücher von vargas llosa mario bei der büchersuchmaschine eurobuch ch können sie antiquarische und neubücher vergleichen und sofort zum bestpreis bestellen 9783518420881 mario vargas llosa gehört zu den frühen lesern onettis bereits 1967

die welt als geschlossene anstalt der spiegel - Dec 28 2021

web jul 2 1989 die welt als geschlossene anstalt spiegel redakteur rainer traub über juan carlos onetti der schacht von rainer traub 02 07 1989 13 00 uhr aus der spiegel 27 1989 im jahr

die welt des juan carlos onetti bücher de - Jan 09 2023

web mario vargas llosa die welt des juan carlos onetti aus dem spanischen von angelica ammar suhrkamp verlag frankfurt a main 2009 220 s 24 80 euro juan carlos onetti 1909 1994 foto quim llenas getty images szdigital alle rechte vorbehalten süddeutsche zeitung gmbh münchen jegliche veröffentlichung exklusiv

die welt des juan carlos onetti media suhrkamp de - Mar 11 2023

web mario vargas llosa die welt des juan carlos onetti aus dem spanischen von angelica ammar suhrkamp die originalausgabe erschien 2008 unter dem titel el viaje a la ficcin el mundo de juan carlos onetti bei alfaguara madrid mario vargas llosa 2008

die welt des juan carlos onetti ein essay lovelybooks - May 13 2023

web may 18 2009 mario vargas llosa gehört zu den frühen lesern onettis bereits 1967 hat er emphatisch auf ihn als den eigentlichen meister hingewiesen seine die welt des juan carlos onetti ein essay von mario vargas llosa bei lovelybooks sachbuch

die welt des juan carlos onetti von vargas llosa mario - Aug 04 2022

web buch die welt des juan carlos onetti mario vargas llosa finden sie alle bücher von onetti juan carlos mario vargas llosa bei der büchersuchmaschine eurobuch com können sie antiquarische und neubücher vergleichen und sofort zum bestpreis bestellen

juan carlos onetti wikipedia - Oct 06 2022

web madrid spain occupation journalist novelist nationality uruguayan juan carlos onetti 1981 juan carlos onetti borges july 1

1909 may 30 1994 was a uruguayan novelist and author of short stories

wolfgang a luchting ua - Feb 27 2022

web finalmente luchting tradujo el ensayo die welt des juan carlos onetti ein essay suhrkamp 2009 en la traductografía de luchting hay otro autor peruano que ocupa un lugar prominente julio ramón ribeyro de él ha traducido auf offener see una colección de nueve cuentos que

die welt des juan carlos onetti broschiert 1 januar 2009 amazon de - Jul 03 2022

web die welt des juan carlos onetti llosa mario vargas isbn kostenloser versand für alle bücher mit versand und verkauf duch amazon

mario vargas llosa die welt des juan carlos onetti - Aug 16 2023

web in seiner emphatischen hommage zum hundertsten geburtstag des 1994 gestorbenen uruguayischen schriftstellers juan carlos onetti stellt uwe stolzmann auch zwei bücher von und über diesen wegbereiter der modernen spanischsprachigen literatur vor

jedem seine hölle literatur derstandard at kultur - Jan 29 2022

web jul 10 2009 jedem die seine waren juan carlos onetti und seine prosa bis in die sechzigerjahre kaum über die länder am rio de la plata hinaus bekannt so setzte ab den siebzigern eine breite

zum 100 geburtstag von juan carlos onetti deutschlandfunk de - May 01 2022

web jul 5 2009 geburtstag von juan carlos onetti archiv zum 100 geburtstag von juan carlos onetti der peruanische romancier mario vargas llosa beschreibt in seinem sehr lesenswerten buch die welt

die welt des juan carlos onetti booklooker - Dec 08 2022

web kommissar dupins zwölfter fall entführt uns in die welt der winzer der vorzüglichen weine und an den größten see der bretagne den lac de grand lieu an dem schon

die welt des juan carlos onetti amazon de - Feb 10 2023

web in diesem neuen buch führt er in das werk des uruguayischen schriftstellers juan carlos onetti ein zu beginn entwickelt vargas llosa anhand seines eigenen romans der geschichtenerzähler einer seiner besten die theorie der funktion von literatur als wirklichkeit der lüge

die welt des juan carlos onetti ein essay ciltli kapak - Jun 14 2023

web die welt des juan carlos onetti ein essay vargas llosa mario amazon com tr kitap

juan carlos onetti leichensammler die werft romane - Mar 31 2022

web juan carlos onetti geboren 1909 in montevideo uruguay gilt als einer der bedeutendsten schriftsteller südamerikas die zeit 1975 während der militärdiktatur in uruguay ging er ins exil nach madrid wo er 1994 starb

[juan carlos onetti ein verwirklichter traum erzählungen](#) - Jun 02 2022

web ihre welt das sind die bars hotelabsteigen und die verrauchten redaktionen in die vom hafen her der klang der schiffssirenen der geruch des meeres dringt die gewalt schleicht auf leisen sohlen durch diese geschichten

die welt des juan carlos onetti suhrkamp verlag - Jul 15 2023

web may 18 2009 die welt des juan carlos onetti aus dem spanischen von angelica ammar mario vargas llosa gehört zu den frühen lesern onettis bereits 1967 hat er emphatisch auf ihn als den eigentlichen meister hingewiesen

juan carlos onetti 5 bücher perlentaucher - Nov 07 2022

web bücher auf 5 bücher juan carlos onetti für diese nacht roman suhrkamp verlag frankfurt am main 2009 isbn

9783518420546 gebunden 230 seiten 22 80 eur aus dem spanischen von svenja becker eine hafenstadt im bürgerkrieg die sache ist entschieden in dieser nacht wird abgerechnet einem der verloren hat folgt onetti auf

[juan carlos onetti wikipedia](#) - Apr 12 2023

web juan carlos onetti 1 juli 1909 in montevideo 30 mai 1994 in madrid war ein uruguayischer journalist bibliothekar und schriftsteller inhaltsverzeichnis 1 herkunftsfamilie 2 leben 3 auszeichnungen 4 werkgenese 5 zitat 6 werke 7 cinematografie 8 literatur 9 weblinks 10 einzelnachweise herkunftsfamilie