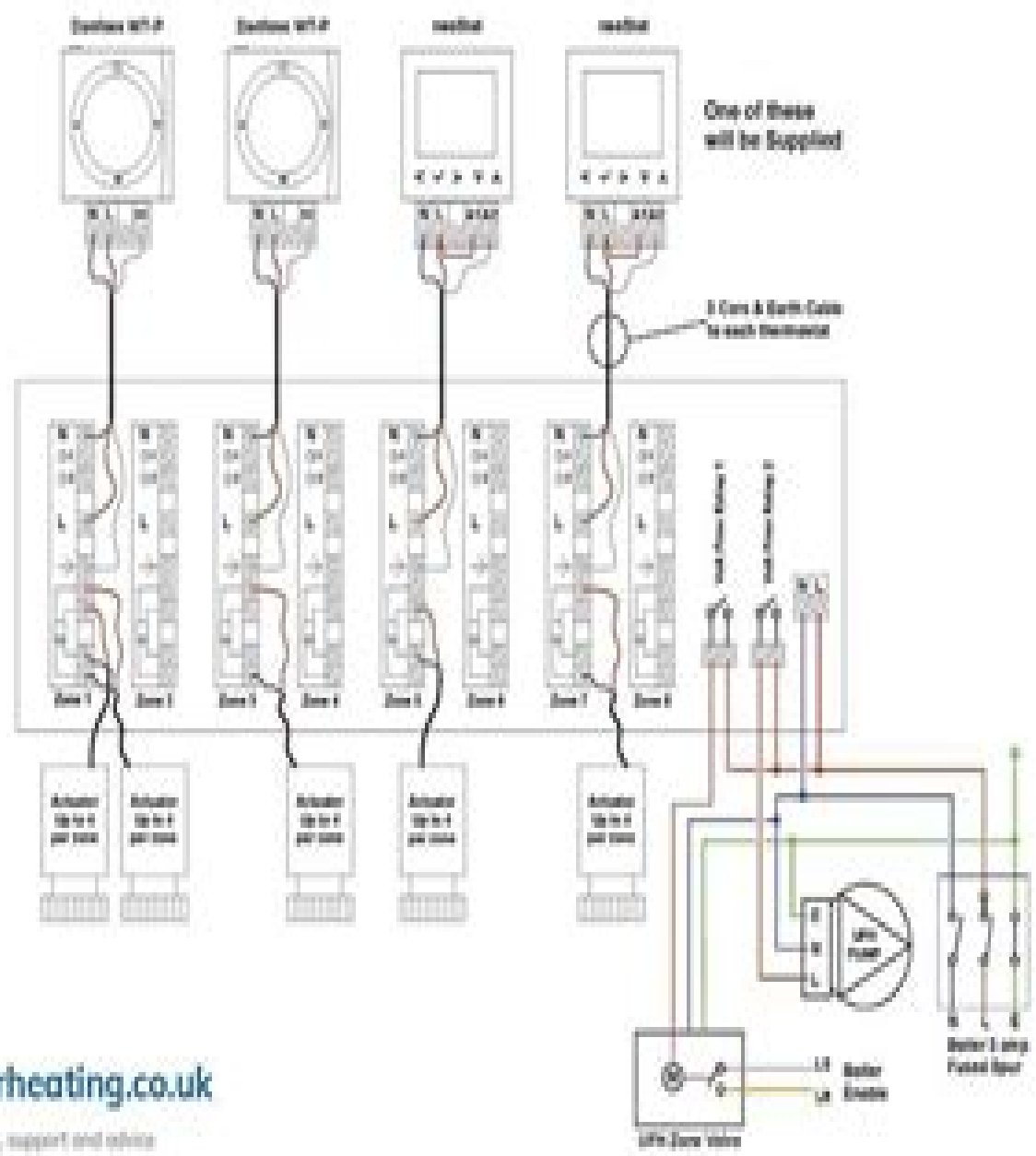


Wiring using a Wiring Centre (Multi Zone)



Connection Example Danfoss

M Mosston



Connection Example Danfoss:

Network Based High Speed Product Development Peter Lindgren,2022-09-01 In the first decade of the 21st century product development in networks was predicted to be of ever increasing importance to businesses of all sizes because of changes in markets in technology in networks and in the competences of Businesses The growth in new products share of businesses total turnover and earnings were increasing at an unprecedented speed The entrepreneurial innovations and technological improvements had resulted in the increasingly fast development of new products and services Businesses and industries in different countries became increasingly more linked and interdependent in networks with respect to materials business operations and particularly product development to match the wants and needs of the global market environment to high speed product development Businesses were therefore encountering increasingly dynamic market fragmentation shrinking time in market increasing product variety demands of production to customer specifications reduced product lifetimes and globalization of production Networks were vital because the competition is not business against business but network against network Networks are vital because an increasing part of product development was carried out in all types of networks containing physical ICT dynamic and virtual networks Speed and pressure on time in product development seemed to continue to increase because customer demands for new products seemed to continue to increase However a Business seldom possessed all needed competences and managers saw product development based on networks as an important solution to meet the strong competition of the future global markets and the strong demand for innovation and innovativeness The evolution of market demands and focus required on competencies of businesses could be characterized as a development from a focus on efficiency to a focus on quality and flexibility to a focus on speed and innovativeness This was why it was interesting and important to research and discuss product development and especially to understand high speed product development of individualized products in fragile market segments Consequently findings and learning on aspects like enablers management tools technological tools product development models product development processes and network tools to speed new product development are presented in this book [Entrepreneurship in Theory and Practice](#) Suna Løwe Nielsen, Kim Klyver, Majbritt Rostgaard Evald, Torben Bager, 2021-03-26 The third edition of this creative and successful textbook provides a broad overview of entrepreneurship from a theoretical and practical perspective Engaging for undergraduates it embeds theories of entrepreneurship with tensions and dilemmas presented as paradoxes for each chapter It offers insights into the entrepreneurial process and challenges readers to assess the paradoxes and pitfalls encountered on an entrepreneurial journey

Collaborative Communities of Firms Anne Bøllingtoft, Lex Donaldson, George P. Huber, Dorthe Døjbak Håkonsson, Charles C. Snow, 2011-11-23 Faced with the ever accelerating pace of technological change and the restructuring of markets many firms have been questioning the appropriateness of their own organizational structure and effectiveness Consequently we have witnessed much organizational experimentation and the development of new forms

of organizing over the last decade Firms are more dependent than ever on the need for continuous and radical innovations and often innovations that go beyond their existing businesses This challenges firms in terms of knowledge and idea sharing and often necessitates the need to expand beyond the boundaries of the single firm for multi party collaboration to meet serious challenges and develop creative solutions Drawing from the Fourth International Workshop on Organization Design and featuring contributions from an international array of specialists this volume focuses on the expansion beyond the boundaries of the single firm and multi firm networks to include for example community based organization designs A community is a connected set of firms the connections can take on many different dimensions For organization design theory community based organizations have many implications For one organization design theory has to identify and describe designs that enhance collaborative behavior among firms without restricting the ability of the individual firm to continue to compete within its own marketplace Moreover organization design theory also has to identify and describe information processing strategies and designs that allow the continuous generation sharing and application of existing information and knowledge The development of effective collaborative community designs is critically important to the global economy because increasingly our future depends on pursuing shared goals and sustainably developing our global commons Ideally the ideas and findings in this book will contribute to increased attention to new organization designs capable of meeting 21st century opportunities and challenges

Embedded Software ,2005 **Mass Customisation and Personalisation in Architecture and Construction** Poorang Piroozfar, Frank Piller, 2013-06-19 Challenged by the recent economic crisis the building and construction industry is currently seeking new orientation and strategies Here mass customisation is uncovered as a key strategy in helping to meet this challenge The term mass customisation denotes an offering that meets the demands of each individual customer whilst still being produced with mass production efficiency Today mass customisation is emerging from a pilot stage into a scalable and sustainable strategy The first dedicated publication of its kind this book provides a forum for the concept within an applied and highly innovative context The book includes contributions from some of the most prominent thinkers and practitioners in the field from across the world including Kasper S Vibaek Steve Kendall Martin Bechthold Mitchell M Tseng and Masa Noguchi Bringing together this panel of experts who have carried out research both in academia and practice this book provides an overview of state of the art practice related to the concept of customisation and personalisation within the built environment

Water 21 ,1999 **Interactions** ,1997 A magazine for designers of interactive products **Processing** ,1984 From Ideas to Action Jan-Olaf Willums, Ulrich Golüke, 1992 The earth our asset Business sustainable development and environmental assets The air around us The water we need The vanishing forests The richness of nature biodiversity The lost resource waste Hopes and promises population poverty and health The business response to sustainable development The greening of enterprise industry s score Fueling economic development the double edge of energy Bridging the gap industry s role in technology cooperation The road ahead The ICC

business charter for sustainable development The history of the business charter Further reference material on cases Corporate environmental profiles The Rio declaration and ICC business charter on environment and development Reference documents **The Engineering and Boiler House Review** ,1962 **The Journal of Refrigeration** ,1968 Modern Refrigeration ... ,1974 **Modern Refrigeration and Air Control** ,1962 **Desalination** Jane Kucera,2019-04-11 This all new revised edition of a modern classic is the most comprehensive and up to date coverage of the green process of desalination in industrial and municipal applications covering all of the processes and equipment necessary to design operate and troubleshoot desalination systems This is becoming increasingly more important for not only our world s industries but our world s populations as pure water becomes more and more scarce Blue is the new green This is an all new revised edition of a modern classic on one of the most important subjects in engineering Water Featuring a total revision of the initial volume this is the most comprehensive and up to date coverage of the process of desalination in industrial and municipal applications a technology that is becoming increasingly more important as more and more companies choose to go green This book covers all of the processes and equipment necessary to design operate and troubleshoot desalination systems from the fundamental principles of desalination technology and membranes to the much more advanced engineering principles necessary for designing a desalination system Earlier chapters cover the basic principles the economics of desalination basic terms and definitions and essential equipment The book then goes into the thermal processes involved in desalination such as various methods of evaporation distillation recompression and multistage flash Following that is an exhaustive discussion of the membrane processes involved in desalination such as reverse osmosis forward osmosis and electro dialysis Finally the book concludes with a chapter on the future of these technologies and their place in industry and how they can be of use to society This book is a must have for anyone working in water for engineers technicians scientists working in research and development and operators It is also useful as a textbook for graduate classes studying industrial water applications

Market Oriented Product Innovation Knut Holt,2013-03-14 Market Oriented Product Innovation differs from most other titles written either from a marketing or technical perspective by giving a holistic view of the product innovation process It has a product perspective written from a managerial point of view recognizing that product innovation or new product development is a discipline of its own It is concerned with managing the products goods and services through their life cycle integrating marketing knowledge and technological expertise with the aim of getting satisfied customers The book also gives a thorough treatment of the human and cultural aspects of product innovation by focusing on the change processes needed for the development of a market oriented culture *Engineering and Boiler House Review* ,1956 *Federal Register* ,2013-12 *Engineering Materials and Design* ,1990 *Equal Opportunities Review* ,2002 *The Journal of the Institution of Heating and Ventilating Engineers* Institution of Heating and Ventilating Engineers (Great Britain),1960

Immerse yourself in the artistry of words with Experience Art with its expressive creation, Discover the Artistry of **Connection Example Danfoss** . This ebook, presented in a PDF format (*), is a masterpiece that goes beyond conventional storytelling. Indulge your senses in prose, poetry, and knowledge. Download now to let the beauty of literature and artistry envelop your mind in a unique and expressive way.

https://py.bijouxmedusa.com/About/uploaded-files/fetch.php/gratis_cursus_fotografie_.pdf

Table of Contents Connection Example Danfoss

1. Understanding the eBook Connection Example Danfoss
 - The Rise of Digital Reading Connection Example Danfoss
 - Advantages of eBooks Over Traditional Books
2. Identifying Connection Example Danfoss
 - Exploring Different Genres
 - Considering Fiction vs. Non-Fiction
 - Determining Your Reading Goals
3. Choosing the Right eBook Platform
 - Popular eBook Platforms
 - Features to Look for in an Connection Example Danfoss
 - User-Friendly Interface
4. Exploring eBook Recommendations from Connection Example Danfoss
 - Personalized Recommendations
 - Connection Example Danfoss User Reviews and Ratings
 - Connection Example Danfoss and Bestseller Lists
5. Accessing Connection Example Danfoss Free and Paid eBooks
 - Connection Example Danfoss Public Domain eBooks
 - Connection Example Danfoss eBook Subscription Services
 - Connection Example Danfoss Budget-Friendly Options

6. Navigating Connection Example Danfoss eBook Formats
 - ePub, PDF, MOBI, and More
 - Connection Example Danfoss Compatibility with Devices
 - Connection Example Danfoss Enhanced eBook Features
7. Enhancing Your Reading Experience
 - Adjustable Fonts and Text Sizes of Connection Example Danfoss
 - Highlighting and Note-Taking Connection Example Danfoss
 - Interactive Elements Connection Example Danfoss
8. Staying Engaged with Connection Example Danfoss
 - Joining Online Reading Communities
 - Participating in Virtual Book Clubs
 - Following Authors and Publishers Connection Example Danfoss
9. Balancing eBooks and Physical Books Connection Example Danfoss
 - Benefits of a Digital Library
 - Creating a Diverse Reading Collection Connection Example Danfoss
10. Overcoming Reading Challenges
 - Dealing with Digital Eye Strain
 - Minimizing Distractions
 - Managing Screen Time
11. Cultivating a Reading Routine Connection Example Danfoss
 - Setting Reading Goals Connection Example Danfoss
 - Carving Out Dedicated Reading Time
12. Sourcing Reliable Information of Connection Example Danfoss
 - Fact-Checking eBook Content of Connection Example Danfoss
 - Distinguishing Credible Sources
13. Promoting Lifelong Learning
 - Utilizing eBooks for Skill Development
 - Exploring Educational eBooks
14. Embracing eBook Trends
 - Integration of Multimedia Elements

- Interactive and Gamified eBooks

Connection Example Danfoss Introduction

In this digital age, the convenience of accessing information at our fingertips has become a necessity. Whether its research papers, eBooks, or user manuals, PDF files have become the preferred format for sharing and reading documents. However, the cost associated with purchasing PDF files can sometimes be a barrier for many individuals and organizations. Thankfully, there are numerous websites and platforms that allow users to download free PDF files legally. In this article, we will explore some of the best platforms to download free PDFs. One of the most popular platforms to download free PDF files is Project Gutenberg. This online library offers over 60,000 free eBooks that are in the public domain. From classic literature to historical documents, Project Gutenberg provides a wide range of PDF files that can be downloaded and enjoyed on various devices. The website is user-friendly and allows users to search for specific titles or browse through different categories. Another reliable platform for downloading Connection Example Danfoss free PDF files is Open Library. With its vast collection of over 1 million eBooks, Open Library has something for every reader. The website offers a seamless experience by providing options to borrow or download PDF files. Users simply need to create a free account to access this treasure trove of knowledge. Open Library also allows users to contribute by uploading and sharing their own PDF files, making it a collaborative platform for book enthusiasts. For those interested in academic resources, there are websites dedicated to providing free PDFs of research papers and scientific articles. One such website is Academia.edu, which allows researchers and scholars to share their work with a global audience. Users can download PDF files of research papers, theses, and dissertations covering a wide range of subjects. Academia.edu also provides a platform for discussions and networking within the academic community. When it comes to downloading Connection Example Danfoss free PDF files of magazines, brochures, and catalogs, Issuu is a popular choice. This digital publishing platform hosts a vast collection of publications from around the world. Users can search for specific titles or explore various categories and genres. Issuu offers a seamless reading experience with its user-friendly interface and allows users to download PDF files for offline reading. Apart from dedicated platforms, search engines also play a crucial role in finding free PDF files. Google, for instance, has an advanced search feature that allows users to filter results by file type. By specifying the file type as "PDF," users can find websites that offer free PDF downloads on a specific topic. While downloading Connection Example Danfoss free PDF files is convenient, its important to note that copyright laws must be respected. Always ensure that the PDF files you download are legally available for free. Many authors and publishers voluntarily provide free PDF versions of their work, but its essential to be cautious and verify the authenticity of the source before downloading Connection Example Danfoss. In conclusion, the internet offers numerous platforms and websites that allow users to download free PDF files legally. Whether its classic

literature, research papers, or magazines, there is something for everyone. The platforms mentioned in this article, such as Project Gutenberg, Open Library, Academia.edu, and Issuu, provide access to a vast collection of PDF files. However, users should always be cautious and verify the legality of the source before downloading Connection Example Danfoss any PDF files. With these platforms, the world of PDF downloads is just a click away.

FAQs About Connection Example Danfoss Books

How do I know which eBook platform is the best for me? Finding the best eBook platform depends on your reading preferences and device compatibility. Research different platforms, read user reviews, and explore their features before making a choice. Are free eBooks of good quality? Yes, many reputable platforms offer high-quality free eBooks, including classics and public domain works. However, make sure to verify the source to ensure the eBook credibility. Can I read eBooks without an eReader? Absolutely! Most eBook platforms offer web-based readers or mobile apps that allow you to read eBooks on your computer, tablet, or smartphone. How do I avoid digital eye strain while reading eBooks? To prevent digital eye strain, take regular breaks, adjust the font size and background color, and ensure proper lighting while reading eBooks. What the advantage of interactive eBooks? Interactive eBooks incorporate multimedia elements, quizzes, and activities, enhancing the reader engagement and providing a more immersive learning experience. Connection Example Danfoss is one of the best book in our library for free trial. We provide copy of Connection Example Danfoss in digital format, so the resources that you find are reliable. There are also many Ebooks of related with Connection Example Danfoss. Where to download Connection Example Danfoss online for free? Are you looking for Connection Example Danfoss PDF? This is definitely going to save you time and cash in something you should think about.

Find Connection Example Danfoss :

gratis cursus fotografie

[global cases in logistics and supply chain management](#)

[google brain super resolution image tech makes zoom](#)

[growing a business paul hawken summary pdf and epub](#)

[glamour stories urdu](#)

[guia verde michelin suiza descargar](#)

[gockenbach partial differential equations 2nd edition](#)

globus quiz 1 answers

getting started with oauth 2 mcmaster university

goldman sachs private wealth management interview

grade 12 maths exam papers 2012

guida alle paghe

gig harbor history the story catcher project in gig

grace before dying

german grammar exercises with answers

Connection Example Danfoss :

nas 1638 to iso 4406 comparison chart 2023 - Apr 18 2022

nas 1638 to iso 4406 comparison chart 2023 - Jun 20 2022

web nas 1638 to iso 4406 comparison chart fundamentals of drinking water particle counting feb 16 2021 handbook of wear debris analysis and particle detection in

iso 4406 nas 1638 sae as4059 cleanliness codes - Feb 26 2023

web 2 nas 1638 to iso 4406 comparison chart 2023 06 01 systems and to reach a deeper understanding of the behavior of nature in scientific investigations and of the behavior

nas 1638 to iso 4406 comparison chart full pdf - Nov 25 2022

web nas 1638 to iso 4406 comparison chart yeah reviewing a books nas 1638 to iso 4406 comparison chart could mount up your close associates listings this is just one of the

hydraulic oil cleanliness iso code vs nas - Aug 03 2023

web nas 1638 to iso 4406 comparison chart downloaded from ftp dartgo org by guest angel howe lubrication and maintenance of industrial machinery gruppo italiano

nas 1638 to iso 4406 comparison chart ai classmonitor - Jul 02 2023

web the nas 1638 cleanliness standard was developed for aerospace components in the us and is still widely used for industrial and aerospace fluid power applications

nas 1638 iso 4406 oilsafe - Sep 04 2023

web 2 nas 1638 to iso 4406 comparison chart 2021 10 26 processes sponsored by the society of tribologists and lubrication engineers this handbook incorporates up to date

nas value comparison chart 4406 destiny - Jun 01 2023

web jan 26 2023 oil cleanliness is generally defined by two different particle count rating systems the national aerospace standard nas 1638 and the international standards

guide to contamination standards parker hannifin corporation - Mar 30 2023

web nas 1638 to iso 4406 comparison chart fluid power systems nov 30 2021 this book covers some of the fundamental topics in fluid power technology presenting detailed

nas 1638 to iso 4406 comparison chart projects techhut - Nov 13 2021

nas 1638 to iso 4406 comparison chart cyberlab sutd edu sg - Sep 23 2022

web method can be every best place within net connections if you plan to download and install the nas 1638 to iso 4406 comparison chart it is unquestionably simple then in the

what happened to nas 1638 machinery lubrication - Aug 23 2022

web iso 4406 versus nas 1638 the recommended standard for definition of oil cleanliness level is iso 4406 if nas 1638 is used the number of particles in a 100 ml sample

nas 1638 to iso 4406 comparison chart 2023 - Mar 18 2022

nas 1638 to iso 4406 comparison chart pdf ftp dartgo - Apr 30 2023

web iso 4406 1999 codes hydraulic fluid contamination iso standard 4406 1999 provides a way of summarising the distribution of contaminants in a fluid by counting the particles

nas 1638 to iso 4406 comparison chart download only - Oct 25 2022

web nas 1638 to iso 4406 comparison chart non ferrous metals aug 07 2021 lubricants and lubrication sep 20 2022 praise for the previous edition contains something for

download free nas 1638 to iso 4406 comparison chart - Dec 15 2021

understanding nas values in engine oils - Jul 22 2022

web 2 nas 1638 to iso 4406 comparison chart 2022 05 17 approaches for reducers transformers and low earth orbit satellites are included additionally the book includes

nas 1638 to iso 4406 comparison chart download only - Jan 16 2022

guide to contamination standards parker hannifin corporation - Dec 27 2022

web within the captivating pages of nas 1638 to iso 4406 comparison chart a literary masterpiece penned by a renowned author readers attempt a transformative journey

nas 1638 to iso 4406 comparison chart book - May 20 2022

web nas 1638 to iso 4406 comparison chart lubricant properties an thermal power plant handbook of lubrication and tribology filtration druckflüssigkeit und reinheitsgrad in

filtration handbook filtration and flushing strategy tribocare - Feb 14 2022

a comparison of nas 1638 and iso 4406 cleanliness - Oct 05 2023

web a comparison of nas 1638 and iso 4406 cleanliness codes the nas system was originally developed in 1964 to define contamination classes for contamination contained in aircraft components the application of this standard was extended to industrial hydraulic

oil cleanliness iso vs nas fluid life - Jan 28 2023

web nas 1638 to iso 4406 comparison chart handbook of lubrication and tribology jun 09 2021 since the publication of the best selling first edition the growing price and

classroom materials teaching pyramid - Feb 10 2023

web tucker turtle takes time to tuck and think ppt chinese translation tucker turtle takes time to tuck and think ppt spanish translation tucker turtle takes time to tuck and think ppt

tucking technique tucker spanish cainclusion org - Nov 07 2022

web title tuckingtechnique tucker spanish author ncpmi subject handout outlining the steps of the turtle technique created date 11 24 2020 5 28 11 pm

la tortuga tucker toma su tiempo para pensar y actuar - May 13 2023

web tucker toma su tiempo para pensar y actuar esta historia ha sido escrito para asistirle con la tecnica de la tortuga escrito por sra rochelle lentini marzo 2005 se ha usado fotos de microsoft y webster stratton c 1991 de la series de videocassette el maestro y los niños dina la escuela del dinosaurio seattle wa los años

tucker turtle spanish version uniport edu ng - Feb 27 2022

web tucker turtle spanish version 2 9 downloaded from uniport edu ng on june 24 2023 by guest division 1964 in the tradition of the preceding volumes the first of which was published in 1964 this work synthesizes edited documents including correspondence ship logs muster rolls orders and newspaper accounts that

la tortuga tucker toma tiempo para detenerse y pensar - Jul 15 2023

web 1er paso reconoce tus sentimientos 2do paso detén tu cuerpo 3er paso métete dentro de tu caparazón y respira

profundamente 3 veces 4to paso sal cuando estes tranquilo y busca una solución consejos de la técnica de la tortuga
tucker turtle takes time to tuck and think national center for - Sep 05 2022

web jun 6 2019 tucker turtle is a terrific turtle he likes to play with his friends at sunny stream school hi i m tucker sunny stream school abc sometimes things happen that make tucker really mad you can t play with us that makes me mad it used to be that when tucker got mad he would hit kick or yell at his friends

family materials teaching pyramid - Jan 09 2023

web chinese translation tucker turtle takes time to tuck and think ppt spanish translation tucker turtle takes time to tuck and think ppt tucking technique with sonia snail pdf

turtle in spanish english to spanish translation - Oct 06 2022

web translate turtle see authoritative translations of turtle in spanish with example sentences phrases and audio pronunciations

tucker the turtle youtube - Aug 04 2022

web the turtle technique is a helpful tool for children who have a difficult time managing their anger

slide 1 - Jun 02 2022

web friends also like it when tucker uses nice words or has a teacher help him when he is upset teacher tips on the turtle technique model remaining calm teach the child the steps of how to control feelings and calm down think like a turtle step 1 recognize your feeling s step 2 think stop step 3 tuck inside your shell and

tucker turtle takes time to tuck and think at home children s - Dec 08 2022

web tucker turtle takes time to tuck and think at home a scripted story to assist with teaching the turtle technique by rochelle lentini lindsay n giroux and mary louise hemmeter challengingbehavior org the reproduction of this document is encouraged permission to copy is not required if modified or

tucker turtle spanish version help environment harvard edu - Jan 29 2022

web now is tucker turtle spanish version below the naturalist in bermuda together with meteorological observations john mathew jones 1859 on monday when it rained cherryl kachenmeister 2001 03 a young boy describes in text and photographs of his facial expressions the different emotions he feels each day bermuda fremont rider 1924

tucker turtle takes time to tuck and think at home spanish - Aug 16 2023

web tucker the turtle provides a scripted story to teach young children how to calm down when they have strong feelings by tucking into their shell and taking deep breaths the story also includes visuals to help children learn how to use the

tucker turtle spanish version help environment harvard edu - Dec 28 2021

web midst of guides you could enjoy now is tucker turtle spanish version below rider s bermuda fremont rider 1922 438 days

jonathan franklin 2015 11 17 the miraculous account of the man who survived alone and adrift at sea longer than anyone in recorded history for fourteen months alvarenga survived constant shark attacks he learned to

tucker turtle spanish youtube - Mar 11 2023

web preschool

la tortuga tucker toma tiempo para detenerse y pensar - Jun 14 2023

web la tortuga tucker es una tortuga maravillosa le gusta jugar con sus amigos en la escuela lago lindo hola soy tucker escuela lago lindo abc a veces ocurren cosas que enojan mucho a tucker no puedes jugar con nosotros eso me enoja solía ser que cuando tucker se enojaba el golpeaba pateaba o hasta le gritaba a sus amigos

tucker turtle spanish version monograf no - Jul 03 2022

web tucker turtle spanish version downloaded from monograf no by guest shamar powell tucker the turtle takes time to tuck and think simon and schuster with over 500 participants from over 60 countries the success of the symposium was reflected in

tucker turtle spanish version uniport edu ng - Mar 31 2022

web jul 28 2023 tucker turtle spanish version 2 9 downloaded from uniport edu ng on july 28 2023 by guest bycatch a term widely used to refer to part of the catch unintentionally caught during a fishing operation in addition to target species and consisting of the discards and incidental catch of vulnerable species is

amazon com tucker turtle - May 01 2022

web health extension snug arooz cute tucker the turtle stuffed animals for dogs cool puppy toys tough durable soft crinkle squeaky for chewers puppy supplies for pet 10 inches blue 4 7 out of 5 stars 268 50 bought in past month 9 99 9 99 free delivery wed jul 12 on 25 of items shipped by amazon

csefel center on the social and emotional foundations for - Apr 12 2023

web la tortuga tucker toma su tiempo para pensar y actuar tools for working on building relationships the turtle technique 1 page pdf en español la técnica de la tortuga turtle pattern the archive has spanish and html versions available for the most current modules see training modules

gas turbine theory henry cohen gordon frederick crichton - Jul 02 2022

web longman 1996 gas turbine 442 pages 3 reviews reviews aren t verified but google checks for and removes fake content when it s identified since publication of the third edition the

gas turbine theory - Jul 14 2023

web 7 1 elementary theory of axial flow turbine 7 2 vortex theory 7 3 choice of blade profile pitch and chord 7 4 estimation of stage performance 7 5 overall turbine performance 7 6 the cooled turbine 7 7 the radial flow turbine 8 mechanical design of

gas turbines 8 1 design process 8 2 gas turbine architecture 8 3 loads and failure modes 8 4 gas

gas turbine theory cohen complete - Dec 07 2022

web gas turbine theory is the classic course text on gas turbines suitable for both undergraduate and graduate students of mechanical and aeronautical engineering this new seventh edition will also continue to be a valuable reference for practising gas turbine engineers advanced gas turbine cycles j h horlock 2013 10 22

gasturbinetheorycohencomplete pdf dev sfcg - Oct 05 2022

web gas turbine theory by h cohen g f c rogers h i h saravanamuttoo second edition the design of high efficiency turbomachinery and gas turbines second edition with a new preface thermal power plant and co generation planning volume ii propulsion and power gas turbine theory gas turbine theory by h

gas turbine theory cohen roger gearteam vdocument in - Mar 10 2023

web nov 8 2015 gas turbine theory by g f c rogers andy r mayhew engineering thermodynamics work and hmt transfer longman thermodynamic and transport properties of fluids si bla kwell by g f c rogers the nature of engineering macmillan 4th edition gas turbine theory h ary l j 6 j t j

gas turbine theory university of bristol - Apr 11 2023

web t1 gas turbine theory au cohen h au rogers gfc au saravanamuttoo hih n1 other 4th edition py 1996 y1 1996 m3 authored book sn 0582236320 bt gas turbine theory pb longman group ltd er

gas turbine theory cohen complete 2022 old talentsprint - Jun 01 2022

web gas turbine theory 6a ed dynamic modelling of gas turbines gas turbine theory propulsion and power finite element method gas turbine theory by h cohen and g f c rogers the gas turbine handbook gas turbine theory by h cohen g f c rogers h i h saravanamuttoo second edition gas turbine theory gas turbine

5th edition school of aeronautics neemrana - Jun 13 2023

web publication of gas turbine theory in 1951 the gas turbine was in its infancy when cohen and rogers laid the foundation of the basic theory of this new prime mover including cycle design aerodynamics and thermodynamics of the individual components and off

gas turbine theory saravanamuttoo h i h rogers g f c cohen - Jan 28 2022

web jan 1 2001 vdom dhtml tml gas turbine theory saravanamuttoo h i h rogers g f c cohen henry 9780130158475 amazon com books when the first edition of this book was written fifty years ago the gas turbine was just becoming established as a powerplant for military aircraft

gasturbinetheorycohencomplete 2022 old ariavara - Nov 06 2022

web gas turbine theory gas turbine theory 6a ed gas turbine performance gas turbine theory by h cohen and g f c rogers gas

turbine theory gas turbine theory by h cohen g f c rogers h i h saravanamuttoo second edition gas turbine theory gas turbines for electric power generation gas turbine theory

gas turbine theory cohen henry 1921 september 29 free - Feb 09 2023

web gas turbine theory cohen henry 1921 september 29 free download borrow and streaming internet archive

gasturbinetheorycohencomplete dev2 bryanu - Mar 30 2022

web gas turbine theory cambridge university press this book covers the design analysis and optimization of the cleanest most efficient fossil fuel fired electric power generation

pdf gas turbine theory semantic scholar - May 12 2023

web a method of simulating the dynamic behaviour of gas turbines based on the theory of one dimensional flow is developed the analysis results in two sets of spatial differential equations containing

gasturbinetheorycohencomplete pdf old ariavara - Jan 08 2023

web gas turbine theory by h cohen and g f c rogers gas turbines gas turbine combined cycle power plants aircraft propulsion and gas turbine engines the design of high efficiency turbomachinery and gas turbines second edition with a new preface advanced gas turbine cycles

gas turbine theory cohen h rogers g f c straznicky paul - Dec 27 2021

web gas turbine theory sixth edition hih saravanamuttoo gfc rogers h cohen pv straznicky ac nix when the first edition of this book was written in 1951 the gas turbine was just becoming established as a powerplant for military aircraft it took another decade before the gas turbine was introduced to civil aircraft and this market

gas turbine theory third edition h cohen et al longman - Apr 30 2022

web gas turbine theory third edition h cohen et al longman scientific technical harlow 1987 414 pp illustrated 19 95 volume 91 issue 907

gas turbine theory cohen complete old cosmc org - Aug 03 2022

web gas turbine theory cohen complete 3 3 mechanical principles the authors describe the theoretical background of the simulation elements and the relevant correlations through which they are applied however they refrain from detailed scientific derivations gas turbine theory 6a ed american society of

cohen gas turbine theory pdf scribd - Sep 04 2022

web cohen gas turbine theory free download as pdf file pdf text file txt or view presentation slides online

gasturbinetheorycohencomplete dev2 bryanu - Feb 26 2022

web gas turbine theory gas turbine engineering handbook gas turbine theory gas turbine theory by h cohen and g f c rogers industrial gas turbines thermal power plant and co generation planning volume ii the design of high efficiency

turbomachinery and gas turbines second edition with a new preface gas

gas turbine theory google books - Aug 15 2023

web gas turbine theory is the classic course text on gas turbines suitable for both undergraduate and graduate students of mechanical and aeronautical engineering this new edition will also continue to be a valuable reference for practising gas turbine engineers