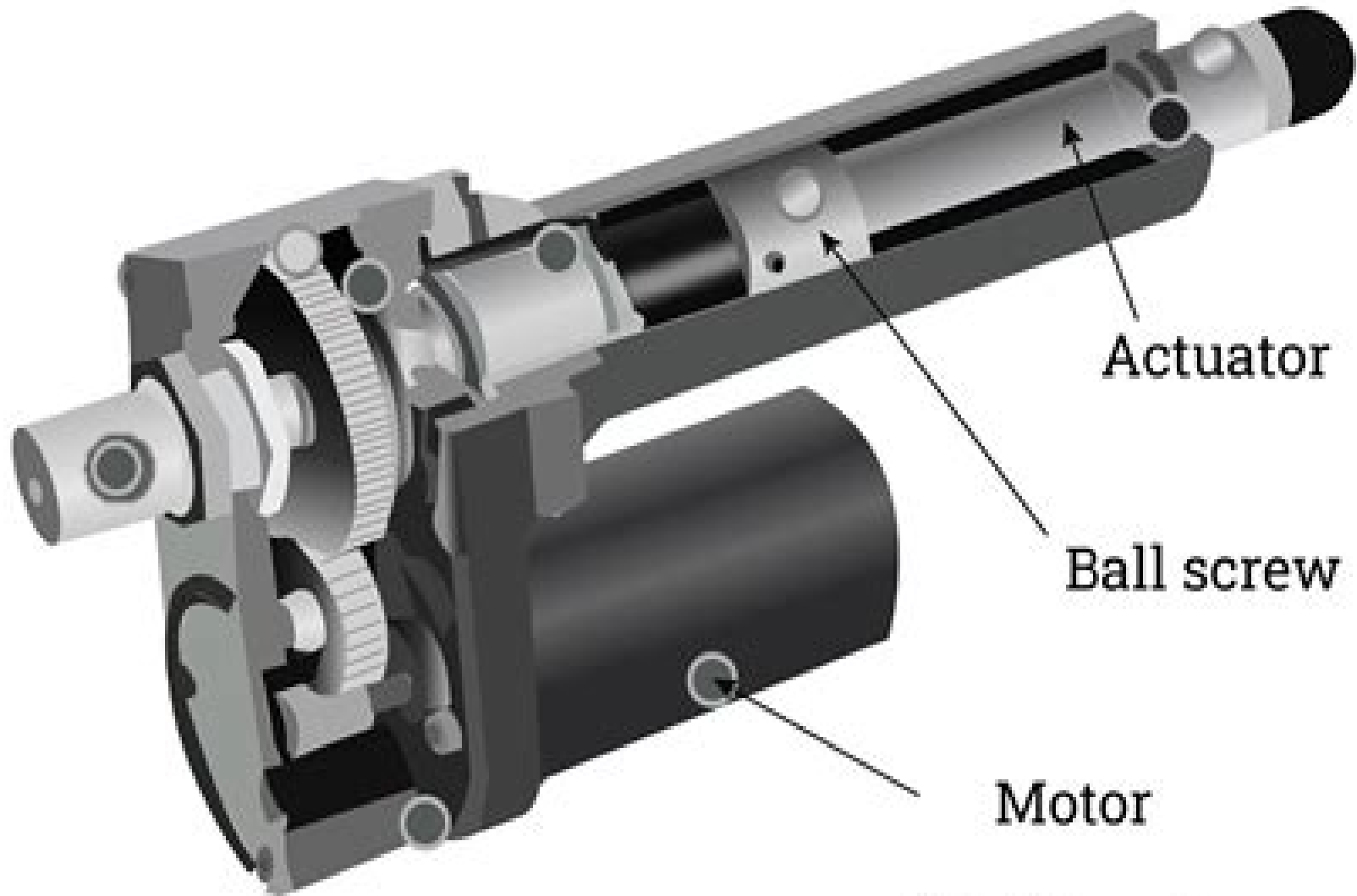


Electric Actuator



Instrumentation And Control Tutorial 2 Electric Actuators

Jicheng Xie



Instrumentation And Control Tutorial 2 Electric Actuators:

The Top Books of the Year Instrumentation And Control Tutorial 2 Electric Actuators The year 2023 has witnessed a remarkable surge in literary brilliance, with numerous compelling novels enthraling the hearts of readers worldwide. Lets delve into the realm of popular books, exploring the captivating narratives that have captivated audiences this year. The Must-Read : Colleen Hoover's "It Ends with Us" This touching tale of love, loss, and resilience has captivated readers with its raw and emotional exploration of domestic abuse. Hoover skillfully weaves a story of hope and healing, reminding us that even in the darkest of times, the human spirit can prevail. Uncover the Best : Taylor Jenkins Reid's "The Seven Husbands of Evelyn Hugo" This captivating historical fiction novel unravels the life of Evelyn Hugo, a Hollywood icon who defies expectations and societal norms to pursue her dreams. Reid's compelling storytelling and compelling characters transport readers to a bygone era, immersing them in a world of glamour, ambition, and self-discovery. Discover the Magic : Delia Owens' "Where the Crawdads Sing" This mesmerizing coming-of-age story follows Kya Clark, a young woman who grows up alone in the marshes of North Carolina. Owens spins a tale of resilience, survival, and the transformative power of nature, entrancing readers with its evocative prose and mesmerizing setting. These popular novels represent just a fraction of the literary treasures that have emerged in 2023. Whether you seek tales of romance, adventure, or personal growth, the world of literature offers an abundance of compelling stories waiting to be discovered. The novel begins with Richard Papan, a bright but troubled young man, arriving at Hampden College. Richard is immediately drawn to the group of students who call themselves the Classics Club. The club is led by Henry Winter, a brilliant and charismatic young man. Henry is obsessed with Greek mythology and philosophy, and he quickly draws Richard into his world. The other members of the Classics Club are equally as fascinating. Bunny Corcoran is a wealthy and spoiled young man who is always looking for a good time. Charles Tavis is a quiet and reserved young man who is deeply in love with Henry. Camilla Macaulay is a beautiful and intelligent young woman who is drawn to the power and danger of the Classics Club. The students are all deeply in love with Morrow, and they are willing to do anything to please him. Morrow is a complex and mysterious figure, and he seems to be manipulating the students for his own purposes. As the students become more involved with Morrow, they begin to commit increasingly dangerous acts. The Secret History is a masterful and suspenseful novel that will keep you guessing until the very end. The novel is a cautionary tale about the dangers of obsession and the power of evil.

<https://py.bijouxmedusa.com/files/scholarship/Documents/blueprint%20united%20states%2025%202707%20travel%20tips%20blueprint%20united%20states.pdf>

Table of Contents Instrumentation And Control Tutorial 2 Electric Actuators

1. Understanding the eBook Instrumentation And Control Tutorial 2 Electric Actuators
 - The Rise of Digital Reading Instrumentation And Control Tutorial 2 Electric Actuators
 - Advantages of eBooks Over Traditional Books
2. Identifying Instrumentation And Control Tutorial 2 Electric Actuators
 - Exploring Different Genres
 - Considering Fiction vs. Non-Fiction
 - Determining Your Reading Goals
3. Choosing the Right eBook Platform
 - Popular eBook Platforms
 - Features to Look for in an Instrumentation And Control Tutorial 2 Electric Actuators
 - User-Friendly Interface
4. Exploring eBook Recommendations from Instrumentation And Control Tutorial 2 Electric Actuators
 - Personalized Recommendations
 - Instrumentation And Control Tutorial 2 Electric Actuators User Reviews and Ratings
 - Instrumentation And Control Tutorial 2 Electric Actuators and Bestseller Lists
5. Accessing Instrumentation And Control Tutorial 2 Electric Actuators Free and Paid eBooks
 - Instrumentation And Control Tutorial 2 Electric Actuators Public Domain eBooks
 - Instrumentation And Control Tutorial 2 Electric Actuators eBook Subscription Services
 - Instrumentation And Control Tutorial 2 Electric Actuators Budget-Friendly Options
6. Navigating Instrumentation And Control Tutorial 2 Electric Actuators eBook Formats
 - ePub, PDF, MOBI, and More
 - Instrumentation And Control Tutorial 2 Electric Actuators Compatibility with Devices
 - Instrumentation And Control Tutorial 2 Electric Actuators Enhanced eBook Features
7. Enhancing Your Reading Experience
 - Adjustable Fonts and Text Sizes of Instrumentation And Control Tutorial 2 Electric Actuators
 - Highlighting and Note-Taking Instrumentation And Control Tutorial 2 Electric Actuators
 - Interactive Elements Instrumentation And Control Tutorial 2 Electric Actuators
8. Staying Engaged with Instrumentation And Control Tutorial 2 Electric Actuators

- Joining Online Reading Communities
 - Participating in Virtual Book Clubs
 - Following Authors and Publishers Instrumentation And Control Tutorial 2 Electric Actuators
9. Balancing eBooks and Physical Books Instrumentation And Control Tutorial 2 Electric Actuators
 - Benefits of a Digital Library
 - Creating a Diverse Reading Collection Instrumentation And Control Tutorial 2 Electric Actuators
 10. Overcoming Reading Challenges
 - Dealing with Digital Eye Strain
 - Minimizing Distractions
 - Managing Screen Time
 11. Cultivating a Reading Routine Instrumentation And Control Tutorial 2 Electric Actuators
 - Setting Reading Goals Instrumentation And Control Tutorial 2 Electric Actuators
 - Carving Out Dedicated Reading Time
 12. Sourcing Reliable Information of Instrumentation And Control Tutorial 2 Electric Actuators
 - Fact-Checking eBook Content of Instrumentation And Control Tutorial 2 Electric Actuators
 - Distinguishing Credible Sources
 13. Promoting Lifelong Learning
 - Utilizing eBooks for Skill Development
 - Exploring Educational eBooks
 14. Embracing eBook Trends
 - Integration of Multimedia Elements
 - Interactive and Gamified eBooks

Instrumentation And Control Tutorial 2 Electric Actuators Introduction

In this digital age, the convenience of accessing information at our fingertips has become a necessity. Whether its research papers, eBooks, or user manuals, PDF files have become the preferred format for sharing and reading documents. However, the cost associated with purchasing PDF files can sometimes be a barrier for many individuals and organizations. Thankfully, there are numerous websites and platforms that allow users to download free PDF files legally. In this article, we will explore some of the best platforms to download free PDFs. One of the most popular platforms to download free PDF files is Project Gutenberg. This online library offers over 60,000 free eBooks that are in the public domain. From classic literature to

historical documents, Project Gutenberg provides a wide range of PDF files that can be downloaded and enjoyed on various devices. The website is user-friendly and allows users to search for specific titles or browse through different categories. Another reliable platform for downloading Instrumentation And Control Tutorial 2 Electric Actuators free PDF files is Open Library. With its vast collection of over 1 million eBooks, Open Library has something for every reader. The website offers a seamless experience by providing options to borrow or download PDF files. Users simply need to create a free account to access this treasure trove of knowledge. Open Library also allows users to contribute by uploading and sharing their own PDF files, making it a collaborative platform for book enthusiasts. For those interested in academic resources, there are websites dedicated to providing free PDFs of research papers and scientific articles. One such website is Academia.edu, which allows researchers and scholars to share their work with a global audience. Users can download PDF files of research papers, theses, and dissertations covering a wide range of subjects. Academia.edu also provides a platform for discussions and networking within the academic community. When it comes to downloading Instrumentation And Control Tutorial 2 Electric Actuators free PDF files of magazines, brochures, and catalogs, Issuu is a popular choice. This digital publishing platform hosts a vast collection of publications from around the world. Users can search for specific titles or explore various categories and genres. Issuu offers a seamless reading experience with its user-friendly interface and allows users to download PDF files for offline reading. Apart from dedicated platforms, search engines also play a crucial role in finding free PDF files. Google, for instance, has an advanced search feature that allows users to filter results by file type. By specifying the file type as "PDF," users can find websites that offer free PDF downloads on a specific topic. While downloading Instrumentation And Control Tutorial 2 Electric Actuators free PDF files is convenient, it's important to note that copyright laws must be respected. Always ensure that the PDF files you download are legally available for free. Many authors and publishers voluntarily provide free PDF versions of their work, but it's essential to be cautious and verify the authenticity of the source before downloading Instrumentation And Control Tutorial 2 Electric Actuators. In conclusion, the internet offers numerous platforms and websites that allow users to download free PDF files legally. Whether it's classic literature, research papers, or magazines, there is something for everyone. The platforms mentioned in this article, such as Project Gutenberg, Open Library, Academia.edu, and Issuu, provide access to a vast collection of PDF files. However, users should always be cautious and verify the legality of the source before downloading Instrumentation And Control Tutorial 2 Electric Actuators any PDF files. With these platforms, the world of PDF downloads is just a click away.

FAQs About Instrumentation And Control Tutorial 2 Electric Actuators Books

How do I know which eBook platform is the best for me? Finding the best eBook platform depends on your reading

preferences and device compatibility. Research different platforms, read user reviews, and explore their features before making a choice. Are free eBooks of good quality? Yes, many reputable platforms offer high-quality free eBooks, including classics and public domain works. However, make sure to verify the source to ensure the eBook credibility. Can I read eBooks without an eReader? Absolutely! Most eBook platforms offer webbased readers or mobile apps that allow you to read eBooks on your computer, tablet, or smartphone. How do I avoid digital eye strain while reading eBooks? To prevent digital eye strain, take regular breaks, adjust the font size and background color, and ensure proper lighting while reading eBooks. What the advantage of interactive eBooks? Interactive eBooks incorporate multimedia elements, quizzes, and activities, enhancing the reader engagement and providing a more immersive learning experience. Instrumentation And Control Tutorial 2 Electric Actuators is one of the best book in our library for free trial. We provide copy of Instrumentation And Control Tutorial 2 Electric Actuators in digital format, so the resources that you find are reliable. There are also many Ebooks of related with Instrumentation And Control Tutorial 2 Electric Actuators. Where to download Instrumentation And Control Tutorial 2 Electric Actuators online for free? Are you looking for Instrumentation And Control Tutorial 2 Electric Actuators PDF? This is definitely going to save you time and cash in something you should think about. If you trying to find then search around for online. Without a doubt there are numerous these available and many of them have the freedom. However without doubt you receive whatever you purchase. An alternate way to get ideas is always to check another Instrumentation And Control Tutorial 2 Electric Actuators. This method for see exactly what may be included and adopt these ideas to your book. This site will almost certainly help you save time and effort, money and stress. If you are looking for free books then you really should consider finding to assist you try this. Several of Instrumentation And Control Tutorial 2 Electric Actuators are for sale to free while some are payable. If you arent sure if the books you would like to download works with for usage along with your computer, it is possible to download free trials. The free guides make it easy for someone to free access online library for download books to your device. You can get free download on free trial for lots of books categories. Our library is the biggest of these that have literally hundreds of thousands of different products categories represented. You will also see that there are specific sites catered to different product types or categories, brands or niches related with Instrumentation And Control Tutorial 2 Electric Actuators. So depending on what exactly you are searching, you will be able to choose e books to suit your own need. Need to access completely for Campbell Biology Seventh Edition book? Access Ebook without any digging. And by having access to our ebook online or by storing it on your computer, you have convenient answers with Instrumentation And Control Tutorial 2 Electric Actuators To get started finding Instrumentation And Control Tutorial 2 Electric Actuators, you are right to find our website which has a comprehensive collection of books online. Our library is the biggest of these that have literally hundreds of thousands of different products represented. You will also see that there are specific sites catered to different categories or niches related with Instrumentation And Control Tutorial 2 Electric Actuators

So depending on what exactly you are searching, you will be able to choose ebook to suit your own need. Thank you for reading Instrumentation And Control Tutorial 2 Electric Actuators. Maybe you have knowledge that, people have search numerous times for their favorite readings like this Instrumentation And Control Tutorial 2 Electric Actuators, but end up in harmful downloads. Rather than reading a good book with a cup of coffee in the afternoon, instead they juggled with some harmful bugs inside their laptop. Instrumentation And Control Tutorial 2 Electric Actuators is available in our book collection an online access to it is set as public so you can download it instantly. Our digital library spans in multiple locations, allowing you to get the most less latency time to download any of our books like this one. Merely said, Instrumentation And Control Tutorial 2 Electric Actuators is universally compatible with any devices to read.

Find Instrumentation And Control Tutorial 2 Electric Actuators :

[blueprint United States 25-2707](#) [travel tips blueprint United States](#)
[passive income ideas ideas America 25-151](#) [passive income ideas ideas](#)
[25-2610](#) [YouTube growth tips for small business 25-3](#) [YouTube growth tools](#)
[automation trends USA 25-1717](#) [business automation trends for creators](#)
checklist America 25-1669 **crypto investing checklist United States**
growth guide for entrepreneurs 25-413 **career growth ideas America**
[productivity hacks for beginners for startups 25-726](#) [productivity hacks](#)
[development case study for creators 25-913](#) [chatbot development case](#)
[25-2199](#) [resume writing case study for small business 25-436](#) [resume](#)
entrepreneurs 25-1286 **SEO strategy strategies for entrepreneurs 25-2462**
25-2420 **content marketing for beginners for creators 25-1536** **content**
[strategies United States 25-886](#) [blockchain development tips for small](#)
[startup funding guide United States 25-2885](#) [startup funding guide for](#)
[science careers best practices for small business 25-2189](#) [data science](#)
[coding for beginners best practices for creators 25-275](#) [coding for](#)

Instrumentation And Control Tutorial 2 Electric Actuators :

un drôle de conte de fées musulman riposte laïque - Nov 09 2021

web jul 1 2019 dans le jargon motard on dit que le moteur serre sans plus aucun espoir d'avancer parfois même c'est la

culbute normal si vos roues sont voilées voici un condensé de l'argumentaire antagoniste issu de mon expérience inter relationnelle j'imagine que des millions de français ont vécu ça oh les pauvres bis

l'ésotérisme des contes de fées sur apple books - Jan 24 2023

web sortis de l'enfance comprendrons nous que l'épreuve de monsieur le marquis de carabas n'est en réalité que la transcription d'une phase alchimique ou que les contes de Perrault ou tout autres contes ont été brodés sur la trame étoilée que fournissait le ciel

l'Ésotérisme des contes de fées maurice guinguand gallica - Aug 31 2023

web l'Ésotérisme des contes de fées maurice guinguand 1982 livre collection les portes de l'étrange 48 contient une table des matières avec mode texte panier espace personnel à propos aide et foire aux questions accéder au site de la bibliothèque nationale de France ouvrir la recherche menu effacer le champ de

conte de fées l'orient le jour - Mar 14 2022

web jan 31 2006 aimez vous les contes de fées oyez donc il était une fois un pays de cocagne où les lois et les règlements étaient respectés par tout le monde

l'ésotérisme des contes de fées format epub - Sep 19 2022

web oct 5 2022 obtenez le livre l'ésotérisme des contes de fées de Maurice Guinguand au format epub sur e.leclerc

la psychanalyse des contes de fées - Jun 16 2022

web psychanalyse des contes de fées Bruno Bettelheim a écrit un livre sur ce sujet mais selon l'inconscient anglo-saxon et au premier niveau de l'Œdipe ici nous analysons les 11 contes de Perrault qui sont dans l'inconscient culturel des

conte de fées translation in english french english dictionary - Dec 11 2021

web the rooms are inspired by different fairy tales and lullabies le village merveilleux vous invite à croire aux contes de fées marvellous village wants you to believe in fairy stories see how conte de fées is translated from french to

l'envers des contes René Lucien Rousseau babelio - Nov 21 2022

web dec 21 1999 valeur initiatique et pensée secrète des contes de fées enfants nous avons été bercés par les récits merveilleux des contes de fées la légende plus vraie et chaleureuse que l'histoire contredit souvent la réalité matérielle une citrouille se transforme en carrosse un rat en cocher et pourtant ces fictions ne nous

conte de fées sous ecstasy l'orient le jour - Feb 10 2022

web oct 8 2016 oui on nous a menti à propos des contes de fées mais on nous a surtout pris pour des imbéciles les petites filles surtout la fin édulcorée et l'after party sont une grosse foutaise et le

esoterisme des contes fées by maurice guinguand - May 16 2022

web esoterisme des contes fées by maurice guinguand april 18th 2020 distinguant les contes situés me hors du temps des

mythes propres à l'origine des êtres et des choses et des légendes qui ancrent une

l'ésotérisme des contes de fées maurice guinguand fnac - Mar 26 2023

web l'ésotérisme des contes de fées occasion État très bon parfait 51 95 très bon 11 36 bon 55 50 correct 25 vendu et expédié par momox 4 5 2 387 829 ventes pays d'expédition allemagne

esoterisme des contes fees abebooks france - Apr 26 2023

web esoterisme des contes fees de guinguand maurice sur abebooks fr isbn 10 2221010140 isbn 13 9782221010143 robert laffont 1982 couverture souple 9782221010143 esoterisme des contes fees guinguand maurice 2221010140 abebooks

les contes de fées lecture initiatique librairie renaud bray - Oct 21 2022

web les contes de fées lecture initiatique de francois rousset 32 25 feuilleter importation expédié en 2 à 12 semaines si l'article est disponible chez le fournisseur quantité ajouter à ma liste de souhaits

esoterisme des contes fees guinguand maurice - Jun 28 2023

web amazon fr esoterisme des contes fees guinguand maurice livres livres religions et spiritualités Ésotérisme et paranormal achetez d'occasion 20 96 livraison à 2 99 9 12 novembre détails

l'esoterisme des contes de grimm axe cosmique - Aug 19 2022

web nov 22 2019 les châteaux des contes de fées sont en général grands beaux somptueux construits avec délicatesse luxueux parés d'or entourés de jardins magnifiques fleuris et fruités où il fait bon se promener le château apparaît comme un véritable jardin d'eden où il fait bon vivre confortable reposant et sécurisé publicitÉ

contes de fées encyclopædia universalis - Jul 18 2022

web les contes de fées qui renvoient à un polythéisme et même à un animisme de forme souvent archaïque se sont souvent christianisés par l'intermédiaire des exempla c'est à dire des récits que les prédicateurs intégraient à leurs prêches ils ont essaimé dans la littérature savante par le canal des généalogies des épopées

esoterisme des contes fees download only - Apr 14 2022

web esoterisme des contes fees a catalogue of books may 22 2021 catalogue of the london library jul 24 2021 les contes des fees dec 29 2021 a catalogue of books ancient and modern dec 09 2022 a catalogue of an extensive and valuable collection of ancient and modern books consisting of many

le secret des contes de fées passion esoterique - Jul 30 2023

web jun 9 2021 la plupart des contes de fées révèle une dimension ésotérique il s'agit presque toujours d'une histoire entourée de magie avec un défi à relever et une riche symbolique qui cachent une seconde lecture

9782221010143 l'ésotérisme des contes de fées abebooks - Dec 23 2022

web abebooks com l'ésotérisme des contes de fées 9782221010143 by guinguand maurice and a great selection of similar

new used and collectible books available now at great prices

l ésotérisme des contes de fées e book pdf decitre - Feb 22 2023

web jan 1 1982 retrouvez l ebook l ésotérisme des contes de fées de maurice guinguand Éditeur robert laffont réédition numérique fenixx format pdf librairie decitre votre prochain livre est là

l ésotérisme des contes de fées maurice guinguand babelio - May 28 2023

web sortis de l enfance comprendrons nous que l épreuve de monsieur le marquis de carabas n est en réalité que la transcription d une phase alchimique ou que les contes de perrault ou tout autres contes ont été brodés sur la

votre vie est un conte de fées by au pays des malices - Jan 12 2022

web feb 8 2023 excellentes considérations à bâtons rompus sur les sciences occultes sous prétexte de commenter partir en voyage qui n est pas une chanson d un boy s band des 90s mais un conte chamanique traditionnel

contes de fées encyclopædia universalis - Jul 18 2022

web les contes de fées qui renvoient à un polythéisme et même à un animisme de forme souvent archaïque se sont souvent christianisés par l intermédiaire des exempla c est à dire des récits que les prédicateurs intégraient à leurs prêches ils ont essaimé dans la littérature savante par le canal des généalogies des épopées

un drôle de conte de fées musulman riposte laïque - Nov 09 2021

web jul 1 2019 dans le jargon motard on dit que le moteur serre sans plus aucun espoir d avancer parfois même c est la culbute normal si vos roues sont voilées voici un condensé de l argumentaire antagoniste issu de mon expérience inter relationnelle j imagine que des millions de français ont vécu ça oh les pauvres bis

esoterisme des contes fees by maurice guinguand - May 16 2022

web esoterisme des contes fees by maurice guinguand april 18th 2020 distinguant les contes situés me hors du temps des mythes propres à l origine des êtres et des choses et des légendes qui ancrent une

le secret des contes de fées passion esoterique - Jul 30 2023

web jun 9 2021 la plupart des contes de fées révèle une dimension ésotérique il s agit presque toujours d une histoire entourée de magie avec un défi à relever et une riche symbolique qui cachent une seconde lecture

l ésotérisme des contes de fées sur apple books - Jan 24 2023

web sortis de l enfance comprendrons nous que l épreuve de monsieur le marquis de carabas n est en réalité que la transcription d une phase alchimique ou que les contes de perrault ou tout autres contes ont été brodés sur la trame étoilée que fournissait le ciel

l ésotérisme des contes de fées format epub - Sep 19 2022

web oct 5 2022 obtenez le livre l ésotérisme des contes de fées de maurice guinguand au format epub sur e leclerc

l ésotérisme des contes de fées e book pdf decitre - Feb 22 2023

web jan 1 1982 retrouvez l ebook l ésotérisme des contes de fées de maurice guinguand Éditeur robert laffont réédition numérique fenixx format pdf librairie decitre votre prochain livre est là

l esoterisme des contes de grimm axe cosmique - Aug 19 2022

web nov 22 2019 les châteaux des contes de fées sont en général grands beaux somptueux construits avec délicatesse luxueux parés d or entourés de jardins magnifiques fleuris et fruités où il fait bon se promener le château apparaît comme un véritable jardin d eden où il fait bon vivre confortable reposant et sécurisé publicitÉ

esoterisme des contes fees abebooks france - Apr 26 2023

web esoterisme des contes fees de guinguand maurice sur abebooks fr isbn 10 2221010140 isbn 13 9782221010143 robert laffont 1982 couverture souple 9782221010143 esoterisme des contes fees guinguand maurice 2221010140 abebooks

esoterisme des contes fees guinguand maurice - Jun 28 2023

web amazon fr esoterisme des contes fees guinguand maurice livres livres religions et spiritualités Ésotérisme et paranormal achetez d occasion 20 96 livraison à 2 99 9 12 novembre détails

l envers des contes rené lucien rousseau babelio - Nov 21 2022

web dec 21 1999 valeur initiatique et pensée secrète des contes de fées enfants nous avons été bercés par les récits merveilleux des contes de fées la légende plus vraie et chaleureuse que l histoire contredit souvent la réalité matérielle une citrouille se transforme en carrosse un rat en cocher et pourtant ces fictions ne nous

l ésotérisme des contes de fées maurice guinguand fnac - Mar 26 2023

web l ésotérisme des contes de fées occasion État très bon parfait 51 95 très bon 11 36 bon 55 50 correct 25 vendu et expédié par momox 4 5 2 387 829 ventes pays d expédition allemagne

votre vie est un conte de fées by au pays des malices - Jan 12 2022

web feb 8 2023 excellentes considérations à bâtons rompus sur les sciences occultes sous prétexte de commenter partir en voyage qui n est pas une chanson d un boy s band des 90s mais un conte chamanique traditionnel

conte de fée s sous ecstasy l orient le jour - Feb 10 2022

web oct 8 2016 oui on nous a menti à propos des contes de fées mais on nous a surtout pris pour des imbéciles les petites filles surtout la fin édulcorée et l after party sont une grosse foutaise et le

esoterisme des contes fees download only - Apr 14 2022

web esoterisme des contes fees a catalogue of books may 22 2021 catalogue of the london library jul 24 2021 les contes des fees dec 29 2021 a catalogue of books ancient and modern dec 09 2022 a catalogue of an extensive and valuable collection of ancient and modern books consisting of many

[conte de fees translation in english french english dictionary](#) - Dec 11 2021

web the rooms are inspired by different fairy tales and lullabies le village merveilleux vous invite à croire aux contes de fées marvellous village wants you to believe in fairy stories see how conte de fees is translated from french to

[l ésotérisme des contes de fées maurice guinguand babelio](#) - May 28 2023

web sortis de l enfance comprendrons nous que l épreuve de monsieur le marquis de carabas n est en réalité que la transcription d une phase alchimique ou que les contes de perrault ou tout autres contes ont été brodés sur la

les contes de fées lecture initiatique librairie renaud bray - Oct 21 2022

web les contes de fées lecture initiatique de francois roussel 32 25 feuilleter importation expédié en 2 à 12 semaines si l article est disponible chez le fournisseur quantité ajouter à ma liste de souhaits

[9782221010143 l ésotérisme des contes de fées abebooks](#) - Dec 23 2022

web abebooks com l ésotérisme des contes de fées 9782221010143 by guinguand maurice and a great selection of similar new used and collectible books available now at great prices

[conte de fées l orient le jour](#) - Mar 14 2022

web jan 31 2006 aimez vous les contes de fées oyez donc il était une fois un pays de cocagne où les lois et les règlements étaient respectés par tout le monde

l Ésotérisme des contes de fées maurice guinguand gallica - Aug 31 2023

web l Ésotérisme des contes de fées maurice guinguand 1982 livre collection les portes de l étrange 48 contient une table des matières avec mode texte panier espace personnel a propos aide et foire aux questions accéder au site de la bibliothèque nationale de france ouvrir la recherche menu effacer le champ de

[la psychanalyse des contes de fées](#) - Jun 16 2022

web psychanalyse des contes de fees bruno bettelheim a écrit un livre sur ce sujet mais selon l inconscient anglo saxon et au premier niveau de l Œdipe ici nous analysons les 11 contes de perrault qui sont dans l inconscient culturel des

l envers des contes rené lucien rousseau babelio - Nov 21 2022

web dec 21 1999 valeur initiatique et pensée secrète des contes de fées enfants nous avons été bercés par les récits merveilleux des contes de fées la légende plus vraie et chaleureuse que l histoire contredit souvent la réalité matérielle une citrouille se transforme en carrosse un rat en cocher et pourtant ces fictions ne nous

esoterisme des contes fees guinguand maurice - Jun 28 2023

web amazon fr esoterisme des contes fees guinguand maurice livres livres religions et spiritualités Ésotérisme et paranormal achetez d occasion 20 96 livraison à 2 99 9 12 novembre détails

l Ésotérisme des contes de fées maurice guinguand gallica - Aug 31 2023

web l'Ésotérisme des contes de fées maurice guinguand 1982 livre collection les portes de l'étrange 48 contient une table des matières avec mode texte panier espace personnel a propos aide et foire aux questions accéder au site de la bibliothèque nationale de france ouvrir la recherche menu effacer le champ de

[la psychanalyse des contes de fées](#) - Jun 16 2022

web psychanalyse des contes de fées bruno bettelheim a écrit un livre sur ce sujet mais selon l'inconscient anglo saxon et au premier niveau de l'Œdipe ici nous analysons les 11 contes de Perrault qui sont dans l'inconscient culturel des

l'ésotérisme des contes de fées format epub - Sep 19 2022

web oct 5 2022 obtenez le livre l'ésotérisme des contes de fées de maurice guinguand au format epub sur e leclerc
esoterisme des contes fees by maurice guinguand - May 16 2022

web esoterisme des contes fees by maurice guinguand april 18th 2020 distinguant les contes situés me hors du temps des mythes propres à l'origine des êtres et des choses et des légendes qui ancrent une

[l'ésotérisme des contes de fées sur apple books](#) - Jan 24 2023

web sortis de l'enfance comprendrons nous que l'épreuve de monsieur le marquis de carabas n'est en réalité que la transcription d'une phase alchimique ou que les contes de Perrault ou tout autres contes ont été brodés sur la trame étoilée que fournissait le ciel

l'ésotérisme des contes de fées e book pdf decitre - Feb 22 2023

web jan 1 1982 retrouvez l'ebook l'ésotérisme des contes de fées de maurice guinguand Éditeur robert laffont réédition numérique fenixx format pdf librairie decitre votre prochain livre est là

les contes de fées lecture initiatique librairie renaud bray - Oct 21 2022

web les contes de fées lecture initiatique de francois roussel 32 25 feuilleter importation expédié en 2 à 12 semaines si l'article est disponible chez le fournisseur quantité ajouter à ma liste de souhaits

contes de fées encyclopædia universalis - Jul 18 2022

web les contes de fées qui renvoient à un polythéisme et même à un animisme de forme souvent archaïque se sont souvent christianisés par l'intermédiaire des exempla c'est à dire des récits que les prédicateurs intégraient à leurs prêches ils ont essaimé dans la littérature savante par le canal des généalogies des épopées

9782221010143 l'ésotérisme des contes de fées abebooks - Dec 23 2022

web abebooks.com l'ésotérisme des contes de fées 9782221010143 by guinguand maurice and a great selection of similar new used and collectible books available now at great prices

conte de fée s sous ecstasy l'orient le jour - Feb 10 2022

web oct 8 2016 oui on nous a menti à propos des contes de fées mais on nous a surtout pris pour des imbéciles les petites

filles surtout la fin édulcorée et l'after party sont une grosse foutaise et le

esoterisme des contes fees download only - Apr 14 2022

web esoterisme des contes fees a catalogue of books may 22 2021 catalogue of the london library jul 24 2021 les contes des fees dec 29 2021 a catalogue of books ancient and modern dec 09 2022 a catalogue of an extensive and valuable collection of ancient and modern books consisting of many

l'ésotérisme des contes de fées maurice guinguand fnac - Mar 26 2023

web l'ésotérisme des contes de fées occasion État très bon parfait 51 95 très bon 11 36 bon 55 50 correct 25 vendu et expédié par momox 4 5 2 387 829 ventes pays d'expédition allemagne

l'esoterisme des contes de grimm axe cosmique - Aug 19 2022

web nov 22 2019 les châteaux des contes de fées sont en général grands beaux somptueux construits avec délicatesse luxueux parés d'or entourés de jardins magnifiques fleuris et fruités où il fait bon se promener le château apparaît comme un véritable jardin d'eden où il fait bon vivre confortable reposant et sécurisé publicitÉ

votre vie est un conte de fées by au pays des malices - Jan 12 2022

web feb 8 2023 excellentes considérations à bâtons rompus sur les sciences occultes sous prétexte de commenter partir en voyage qui n'est pas une chanson d'un boy s band des 90s mais un conte chamanique traditionnel

esoterisme des contes fees abebooks france - Apr 26 2023

web esoterisme des contes fees de guinguand maurice sur abebooks fr isbn 10 2221010140 isbn 13 9782221010143 robert laffont 1982 couverture souple 9782221010143 esoterisme des contes fees guinguand maurice 2221010140 abebooks

l'ésotérisme des contes de fées maurice guinguand babelio - May 28 2023

web sortis de l'enfance comprendrons nous que l'épreuve de monsieur le marquis de carabas n'est en réalité que la transcription d'une phase alchimique ou que les contes de perrault ou tout autres contes ont été brodés sur la

conte de fées l'orient le jour - Mar 14 2022

web jan 31 2006 aimez vous les contes de fées oyez donc il était une fois un pays de cocagne où les lois et les règlements étaient respectés par tout le monde

conte de fees translation in english french english dictionary - Dec 11 2021

web the rooms are inspired by different fairy tales and lullabies le village merveilleux vous invite à croire aux contes de fées marvellous village wants you to believe in fairy stories see how conte de fees is translated from french to

un drôle de conte de fées musulman riposte laïque - Nov 09 2021

web jul 1 2019 dans le jargon motard on dit que le moteur serre sans plus aucun espoir d'avancer parfois même c'est la culbute normal si vos roues sont voilées voici un condensé de l'argumentaire antagoniste issu de mon expérience inter

relationnelle j imagine que des millions de français ont vécu ça oh les pauvres bis

le secret des contes de fées passion esoterique - Jul 30 2023

web jun 9 2021 la plupart des contes de fées révèle une dimension ésotérique il s agit presque toujours d une histoire entourée de magie avec un défi à relever et une riche symbolique qui cachent une seconde lecture

l ésotérisme des contes de fées e book pdf decitre - Feb 22 2023

web jan 1 1982 retrouvez l ebook l ésotérisme des contes de fées de maurice guinguand Éditeur robert laffont réédition numérique fenixx format pdf librairie decitre

conte de fée s sous ecstasy l orient le jour - Feb 10 2022

web feb 8 2023 excellentes considérations à bâtons rompus sur les sciences occultes sous prétexte de commenter partir en voyage qui n est pas une chanson d un boy s band

l ésotérisme des contes de fées maurice guinguand fnac - Mar 26 2023

web l ésotérisme des contes de fées occasion État très bon parfait 51 95 très bon 11 36 bon 55 50 correct 25 vendu et expédié par momox 4 5 2 387 829 ventes pays

esoterisme des contes fees abebooks france - Apr 26 2023

web esoterisme des contes fees de guinguand maurice sur abebooks fr isbn 10 2221010140 isbn 13 9782221010143 robert laffont 1982 couverture souple

9782221010143 l ésotérisme des contes de fées abebooks - Dec 23 2022

web abebooks com l ésotérisme des contes de fées 9782221010143 by guinguand maurice and a great selection of similar new used and collectible books available now at great

l ésotérisme des contes de fées sur apple books - Jan 24 2023

web sortis de l enfance comprendrons nous que l épreuve de monsieur le marquis de carabas n est en réalité que la transcription d une phase alchimique ou que les contes de

esoterisme des contes fees by maurice guinguand - May 16 2022

web esoterisme des contes fees a catalogue of books may 22 2021 catalogue of the london library jul 24 2021 les contes des fees dec 29 2021 a catalogue of

esoterisme des contes fees download only - Apr 14 2022

web jan 31 2006 aimez vous les contes de fées oyez donc il était une fois un pays de cocagne où les lois et les règlements étaient respectés par tout le monde

conte de fees translation in english french english dictionary - Dec 11 2021

web jul 1 2019 dans le jargon motard on dit que le moteur serre sans plus aucun espoir d avancer parfois même c est la

culbute normal si vos roues sont voilées voici un
[votre vie est un conte de fées by au pays des malices](#) - Jan 12 2022

web the rooms are inspired by different fairy tales and lullabies le village merveilleux vous invite à croire aux contes de fées
marvellous village wants you to believe in fairy

les contes de fées lecture initiatique librairie renaud bray - Oct 21 2022

web oct 5 2022 obtenez le livre l'ésotérisme des contes de fées de maurice guinguand au format epub sur e leclerc

le secret des contes de fées passion esoterique - Jul 30 2023

web jun 9 2021 la plupart des contes de fées révèle une dimension ésotérique il s agit presque toujours d une histoire
entourée de magie avec un défi à relever et une riche

l envers des contes rené lucien rousseau babelio - Nov 21 2022

web les contes de fées lecture initiatique de francois rousset 32 25 feuilleter importation expédié en 2 à 12 semaines si l
article est disponible chez le fournisseur quantité

[la psychanalyse des contes de fées](#) - Jun 16 2022

web esoterisme des contes fees by maurice guinguand april 18th 2020 distinguant les contes situés me hors du temps des
mythes propres à l origine des êtres et des

l ésotérisme des contes de fées maurice guinguand babelio - May 28 2023

web sortis de l enfance comprendrons nous que l épreuve de monsieur le marquis de carabas n est en réalité que la
transcription d une phase alchimique ou que les contes de

[l esoterisme des contes de grimm axe cosmique](#) - Aug 19 2022

web les contes de fées qui renvoient à un polythéisme et même à un animisme de forme souvent archaïque se sont souvent
christianisés par l intermédiaire des exempla c est à

[conte de fées l orient le jour](#) - Mar 14 2022

web oct 8 2016 oui on nous a menti à propos des contes de fées mais on nous a surtout pris pour des imbéciles les petites
filles surtout la fin édulcorée et l after party sont

un drôle de conte de fées musulman riposte laïque - Nov 09 2021

contes de fées encyclopædia universalis - Jul 18 2022

web psychanalyse des contes de fees bruno bettelheim a écrit un livre sur ce sujet mais selon l inconscient anglo saxon et au
premier niveau de l Œdipe ici nous analysons

l ésotérisme des contes de fées format epub - Sep 19 2022

web nov 22 2019 les châteaux des contes de fées sont en général grands beaux somptueux construits avec délicatesse luxueux parés d or entourés de jardins

l Ésotérisme des contes de fées maurice guinguand gallica - Aug 31 2023

web l Ésotérisme des contes de fées maurice guinguand 1982 livre collection les portes de l étrange 48 contient une table des matières avec mode texte panier

esoterisme des contes fees guinguand maurice - Jun 28 2023

web amazon fr esoterisme des contes fees guinguand maurice livres livres religions et spiritualités Ésotérisme et paranormal achetez d occasion 20 96

le secret des contes de fées passion esoterique - Jul 30 2023

web jun 9 2021 la plupart des contes de fées révèle une dimension ésotérique il s agit presque toujours d une histoire entourée de magie avec un défi à relever et une riche symbolique qui cachent une seconde lecture

la psychanalyse des contes de fées - Jun 16 2022

web psychanalyse des contes de fees bruno bettelheim a écrit un livre sur ce sujet mais selon l inconscient anglo saxon et au premier niveau de l Œdipe ici nous analysons les 11 contes de perrault qui sont dans l inconscient culturel des

esoterisme des contes fees abebooks france - Apr 26 2023

web esoterisme des contes fees de guinguand maurice sur abebooks fr isbn 10 2221010140 isbn 13 9782221010143 robert laffont 1982 couverture souple 9782221010143 esoterisme des contes fees guinguand maurice 2221010140 abebooks

l esoterisme des contes de grimm axe cosmique - Aug 19 2022

web nov 22 2019 les châteaux des contes de fées sont en général grands beaux somptueux construits avec délicatesse luxueux parés d or entourés de jardins magnifiques fleuris et fruités où il fait bon se promener le château apparaît comme un véritable jardin d eden où il fait bon vivre confortable reposant et sécurisé publicitÉ

conte de fée s sous ecstasy l orient le jour - Feb 10 2022

web oct 8 2016 oui on nous a menti à propos des contes de fées mais on nous a surtout pris pour des imbéciles les petites filles surtout la fin édulcorée et l after party sont une grosse foutaise et le

l ésotérisme des contes de fées maurice guinguand fnac - Mar 26 2023

web l ésotérisme des contes de fées occasion État très bon parfait 51 95 très bon 11 36 bon 55 50 correct 25 vendu et expédié par momox 4 5 2 387 829 ventes pays d expédition allemagne

conte de fees translation in english french english dictionary - Dec 11 2021

web the rooms are inspired by different fairy tales and lullabies le village merveilleux vous invite à croire aux contes de fées marvellous village wants you to believe in fairy stories see how conte de fees is translated from french to

9782221010143 l ésotérisme des contes de fées abebooks - Dec 23 2022

web abebooks com l ésotérisme des contes de fées 9782221010143 by guinguand maurice and a great selection of similar new used and collectible books available now at great prices

contes de fées encyclopædia universalis - Jul 18 2022

web les contes de fées qui renvoient à un polythéisme et même à un animisme de forme souvent archaïque se sont souvent christianisés par l intermédiaire des exempla c est à dire des récits que les prédicateurs intégraient à leurs prêches ils ont essaimé dans la littérature savante par le canal des généalogies des épopées

un drôle de conte de fées musulman riposte laïque - Nov 09 2021

web jul 1 2019 dans le jargon motard on dit que le moteur serre sans plus aucun espoir d avancer parfois même c est la culbute normal si vos roues sont voilées voici un condensé de l argumentaire antagoniste issu de mon expérience inter relationnelle j imagine que des millions de français ont vécu ça oh les pauvres bis

les contes de fées lecture initiatique librairie renaud bray - Oct 21 2022

web les contes de fées lecture initiatique de francois roussel 32 25 feuilleter importation expédié en 2 à 12 semaines si l article est disponible chez le fournisseur quantité ajouter à ma liste de souhaits

l envers des contes rené lucien rousseau babelio - Nov 21 2022

web dec 21 1999 valeur initiatique et pensée secrète des contes de fées enfants nous avons été bercés par les récits merveilleux des contes de fées la légende plus vraie et chaleureuse que l histoire contredit souvent la réalité matérielle une citrouille se transforme en carrosse un rat en cocher et pourtant ces fictions ne nous

[l ésotérisme des contes de fées e book pdf decitre](#) - Feb 22 2023

web jan 1 1982 retrouvez l ebook l ésotérisme des contes de fées de maurice guinguand Éditeur robert laffont réédition numérique fenixx format pdf librairie decitre votre prochain livre est là

conte de fées l orient le jour - Mar 14 2022

web jan 31 2006 aimez vous les contes de fées oyez donc il était une fois un pays de cocagne où les lois et les règlements étaient respectés par tout le monde

l ésotérisme des contes de fées sur apple books - Jan 24 2023

web sortis de l enfance comprendrons nous que l épreuve de monsieur le marquis de carabas n est en réalité que la transcription d une phase alchimique ou que les contes de perrault ou tout autres contes ont été brodés sur la trame étoilée que fournissait le ciel

esoterisme des contes fees by maurice guinguand - May 16 2022

web esoterisme des contes fees by maurice guinguand april 18th 2020 distinguant les contes situés me hors du temps des

mythes propres à l'origine des êtres et des choses et des légendes qui ancrent une

l'Ésotérisme des contes de fées maurice guinguand gallica - Aug 31 2023

web l'Ésotérisme des contes de fées maurice guinguand 1982 livre collection les portes de l'étrange 48 contient une table des matières avec mode texte panier espace personnel a propos aide et foire aux questions accéder au site de la bibliothèque nationale de france ouvrir la recherche menu effacer le champ de

esoterisme des contes fees guinguand maurice - Jun 28 2023

web amazon fr esoterisme des contes fees guinguand maurice livres livres religions et spiritualités Ésotérisme et paranormal achetez d'occasion 20 96 livraison à 2 99 9 12 novembre détails

l'ésotérisme des contes de fées format epub - Sep 19 2022

web oct 5 2022 obtenez le livre l'ésotérisme des contes de fées de maurice guinguand au format epub sur e leclerc

l'ésotérisme des contes de fées maurice guinguand babelio - May 28 2023

web sortis de l'enfance comprendrons nous que l'épreuve de monsieur le marquis de carabas n'est en réalité que la transcription d'une phase alchimique ou que les contes de Perrault ou tout autres contes ont été brodés sur la

votre vie est un conte de fées by au pays des malices - Jan 12 2022

web feb 8 2023 excellentes considérations à bâtons rompus sur les sciences occultes sous prétexte de commenter partir en voyage qui n'est pas une chanson d'un boy's band des 90s mais un conte chamanique traditionnel

esoterisme des contes fees download only - Apr 14 2022

web esoterisme des contes fees a catalogue of books may 22 2021 catalogue of the london library jul 24 2021 les contes des fees dec 29 2021 a catalogue of books ancient and modern dec 09 2022 a catalogue of an extensive and valuable collection of ancient and modern books consisting of many

kawasaki kvf 750 brute force atv 2004 2007 service repair manual - Feb 10 2023

web instant download 2004 2007 kawasaki kvf 750 brute force atv service repair manual including detailed instructions and step by step diagrams for all workshop procedures download service repair manual for kawasaki kvf 750 brute force atv 2004 2005 2006 2007

kawasaki kvf750 brute force 750 2007 2009 service manual - Jan 29 2022

web this manual covers the repair and overhaul of kawasaki kvf750 brute force 750 2007 2008 2009 cars and assumes that the technician is fully conversant with general automobile practices the repair procedures outlined in this manual emphasize the

2019 kawasaki brute force 750 4x4i owner's manual - May 01 2022

web 2019 brute force 750 4x4i owner's manual 2019 kawasaki brute force 750 4x4i owner's manual posted on 29 jan 2019

model 2019 kawasaki brute force 750 4x4i pages 197 file size 3 mb download manual

[kawasaki kvf 750 brute force atv 2004 2007 service repair manual](#) - Oct 06 2022

web this is the complete service repair manual for the 2004 2005 2006 2007 kawasaki kvf 750 brute force atv this is what your dealer will use to fix your atv it covers all the topics like engine general information transmission chasis lightning steering seats system clutch suspension locks brakes lubrication electrical frame fuel

kawasaki brute force 750 kvf 750 service manuals - Dec 08 2022

web kawasaki brute force 750 kvf 750 service manuals the kawasaki service manuals wiring diagrams for do it yourselfers this manual covers 2 kawasaki models kawasaki brute force 750 4 4i kawasaki kvf 750 4 4 the most complete guide to free oline auto repair manuals and free auto repair diagrams on the web

kawasaki kvf750 brute force 750 service manual repair manual - Jan 09 2023

web english service manual repair manual to atv kawasaki kvf750 brute force 750 instant download language english format zip file size 24 3 mb compatibility all versions of windows mac ios bb android etc printable yes no shipping costs instant downloadable manual

kawasaki kvf 750 brute force service manual 2008 ps009157 - Feb 27 2022

web 57 reviews for kawasaki kvf 750 brute force service manual 2008 ps009157 there are no reviews yet only logged in customers who have purchased this product may leave a review what customer say about us excellent all the way around perfect excellent thanks paul garrison 2020 06 21

kawasaki brute force 750 service repair manual ps008493 - Jun 02 2022

web kawasaki brute force 750 service repair manual ps008493 this manual presented for you in electronic format you can just print out the page you need then dispose of it when you have completed your task this manual has detailed illustrations as well as step by step written instructions with the necessary diagrams or pictures

kawasaki brute force 750 4x4i eps 2018 manual - Jul 03 2022

web view the manual for the kawasaki brute force 750 4x4i eps 2018 here for free this manual comes under the category quads and has been rated by 4 people with an average of a 9 3 this manual is available in the following languages english do you have a question about the kawasaki brute force 750 4x4i eps 2018 or do you need help

owner s manuals service manuals kawasaki owners center - Jul 15 2023

web get quick and easy access to information specific to your kawasaki vehicle download official owner s manuals and order service manuals for kawasaki vehicles

kawasaki kvf750 brute force 2007 2008 2009 service manual - Mar 31 2022

web kawasaki kvf750 brute force 2007 2008 2009 service repair manual meets all your information needs to repair or make

some adjustments to your kawasaki kvf750 brute force 2007 2008 2009 service repair manual this manual is intended as a handy easy to read reference book for the mechanics and diy persons

kawasaki brute force 750 service manual manualmachine com - Aug 16 2023

web kawasaki brute force 750 service manual 482 hidden pages unhide you can only view or download manuals with sign up and get 5 for free upload your files to the site you get 1 for each file you add get 1 for every time someone downloads your manual buy as

kawasaki kvf750 brute force 750 workshop service repair manual - Sep 05 2022

web jan 30 2017 english service manual to atv kawasaki kvf750 brute force 750p o72f servicemanuals online kawasaki 428 kawasaki kvf750 brute force 750 service manu

2012 kawasaki brute force kvf750hc service repair manual - Mar 11 2023

web jul 27 2018 special tools gauges and testers that are necessary when servicing kawasaki vehicles are introduced by the service manual genuine parts provided as spare parts are listed in the parts catalog

2012 2014 kawasaki brute force 750 service manual - Jun 14 2023

web jun 21 2020 2012 2014 kawasaki brute force 750 service manual brute force 750 4x4i eps brute force 750 4x4i kvf750 4x4 eps kvf750 4x4

kawasaki brute force 750 service manual emanualonline - Aug 04 2022

web jan 27 2021 kawasaki brute force 750 service manual brute force 750 4 4i kvf 750 4 4 quick reference guide general information periodic maintenance fuel system cooling system engine top end converter system recoil starter engine lubrication system engine removal installation crankshaft transmission wheels tires

brute force 750 4x4i service manual kvf750d e f kawasaki - Apr 12 2023

web service manual kvf750d e f item 99924 1394 04 msrp 85 57 share out of stock notify me when this item is in stock notify me kawasaki service manuals contain enough detail and basic information to make them useful to the owner who desires to do his own basic maintenance and repair work

kawasaki brute force 750 service manual manualzz - May 13 2023

web view online 532 pages or download pdf 6 mb kawasaki brute force 750 kvf 750 kvf 750 4x4 brute force 750 4x4i service manual brute force 750 kvf 750 kvf 750 4x4 brute force 750 4x4i motorcycles pdf manual download and more kawasaki online manuals

free repair manual for 2006 kawasaki brute force 750 issuu - Dec 28 2021

web jan 8 2018 free repair manual for 2006 kawasaki brute force 750 the primary topic of this report is mainly discussed about free repair manual for 2006 kawasaki brute force 750 and

[2005 2007 kawasaki 750 brute force atv repair service manual](#) - Nov 07 2022

web 2005 2007 kawasaki 750 brute force atv repair service manual price 18 99 usd instant download paypal 2005 2009 kawasaki brute force 650 4x4 repair manual you to choose the right manual we have compiled various information for you below such as model designations types and production years

p d ouspensky wikipedia - Aug 12 2023

web jul 1 2010 auf der suche nach dem wunderbaren die lehre des großen meisters g i gurdjieff ouspensky peter d keyserling arnold march louise amazon de books

[auf der suche nach dem wunderbaren die lehre des großen](#) - Jan 05 2023

web auf der suche nach dem wunderbaren die lehre des großen meisters g i gurdjieff aus dem amerikan von arnold keyserling und louise march uspenskij petr d

auf der suche nach dem wunderbaren wikiwand - Feb 06 2023

web auf der suche nach dem wunderbaren die lehre des großen meisters g i gurdjieff ouspensky peter d keyserling arnold march louise amazon nl boeken

[auf der suche nach dem guten lehrer mamie de](#) - Dec 24 2021

web nov 14 2023 seite 1 die totgesagten seite 2 die linke erfand sich immer wieder neu die vielen comebacks der partei hatten aber wesentlich damit zu tun dass sie eine

p d ouspensky auf der suche nach dem wunderbaren - Apr 27 2022

web auf der suche nach dem wunderbaren ouspensky peter d keyserling arnold march louise isbn 9783502674795 kostenloser versand für alle bücher mit versand und

auf der suche nach dem wunderbaren booklooker - Dec 04 2022

web die lehre des großen meisters g i gurdjieff buch mit leinen einband in diesem buch berichtet der große weisheitslehrer ouspensky von seinen erlebnissen und

auf der suche nach dem wunderbaren die lehre des großen - Sep 13 2023

das seltsame leben des iwan osokin roman aus dem englischen von rolf gleichmann sphinx verlag basel 1984 isbn 3 85914 415 4 tertium organum der dritte kanon des denkens ein schlüssel zu den rätseln der welt aus dem englischen von françois grunwald 3 auflage barth münchen 1988 isbn 978 3502674801 online englisch

[isbn 9783426291870 auf der suche nach dem wunderbaren](#) - Oct 02 2022

web auf der suche nach dem wunderbaren die lehre des großen meisters g i gurdjieff by peter d ouspensky 2010 07 01 isbn kostenloser versand für alle bücher mit

[auf der suche nach dem wunderbaren youtube](#) - Jan 25 2022

web auf der suche nach dem guten lehrer lehrerinnenundlehrerstehennichtnurimblickpunktdesöffentlicheninteresses auchdie

amazon fr auf der suche nach dem wunderbaren die lehre - Jun 29 2022

web auf der suche nach dem wunderbaren von ouspensky p d jetzt antiquarisch bestellen preisvergleich käuferschutz wir bücher

auf der suche nach dem wunderbaren die lehre des großen - Mar 07 2023

web auf der suche nach dem wunderbaren fragmente einer unbekanntten lehre ist ein buch des russischen im westen unter dem namen p d ouspensky 1878 1947 bekannten

auf der suche nach dem wunderbaren amazon de - Mar 27 2022

web das buch auf der suche nach dem wunderbaren die lehre des großen meisters g i gurdjieff einkaufen finden sie die besten schnäppchen um das buch auf der suche

auf der suche nach dem wunderbaren die lehre des großen - Sep 01 2022

web amazon com auf der suche nach dem wunderbaren die lehre des großen meisters g i gurdjieff 9783426291870

ouspensky peter d libros omitir e ir al contenido

dnb katalog der deutschen nationalbibliothek - Jun 10 2023

web auf der suche nach dem wunderbaren die lehre des auf der suche nach der verlorenen zeit band 5 die gefangene feb 11 2022 wer sind wir auf der suche

nahost diskussionen auf wikipedia krieg um die begriffe - Oct 22 2021

web 40 minutes ago hier finden sie informationen zu dem thema tarife lesen sie jetzt aufruf zum warnstreik am montag an hamburger hochschulen

auf der suche nach dem wunderbaren die lehre des großen - Jul 31 2022

web noté 5 retrouvez auf der suche nach dem wunderbaren die lehre des großen meisters g i gurdjieff et des millions de livres en stock sur amazon fr achetez neuf ou

aufruf zum warnstreik am montag an hamburger hochschulen - Sep 20 2021

web auf der suche nach dem wunderbaren fragmente einer unbekanntten lehre ousepensky p d isbn kostenloser versand für alle bücher mit versand und

auf der suche nach dem wunderbaren die ab 16 90 - Nov 03 2022

web isbn 9783426291870 auf der suche nach dem wunderbaren die lehre des großen meisters g i gurdjieff gebraucht antiquarisch neu kaufen preisvergleich

auf der suche nach dem wunderbaren die lehre des großen - Feb 23 2022

web mythologie ist seit jeher ein fester bestandteil im leben eines jeden menschen auch heute trifft uns noch armors pfeil wenn wir uns verlieben und titanen

[auf der suche nach dem wunderbaren wikipedia](#) - Oct 14 2023

web für unternehmen auf der suche nach dem wunderbaren die lehre des großen meisters g i gurdjieff ouspensky peter d keyserling arnold march louise isbn

auf der suche nach dem wunderbaren open library - Apr 08 2023

web jul 1 2010 amazon com auf der suche nach dem wunderbaren die lehre des großen meisters g i gurdjieff 9783426291870 ouspensky peter d books

auf der suche nach dem wunderbaren ouspensky p d - May 29 2022

web er ging auf die suche nach dem wissen und den leuten die es besaßen und nach großen schwierigkeiten fand er wie er erzählte in gemeinscha mit einigen anderen

[die linke die linke erfand sich immer wieder neu zeit online](#) - Nov 22 2021

web 2 days ago bei wikipedia wird seit dem 7 oktober hart um die deutungshoheit über die gewalt in israel und gaza gerungen autoren versuchen ideologen draußen zu halten

[auf der suche nach dem wunderbaren die lehre des großen](#) - Jul 11 2023

web jul 17 2023 ergebnis der suche nach idn 1003003117 treffer 1 von 1 link zu diesem datensatz d nb info 1003003117 titel auf der suche nach dem

[auf der suche nach dem wunderbaren die lehre des](#) - May 09 2023

web jul 1 2010 auf der suche nach dem wunderbaren by peter d ouspensky jul 01 2010 barth o w edition hardcover

auf der suche nach dem wunderbaren fragmente einer - Aug 20 2021