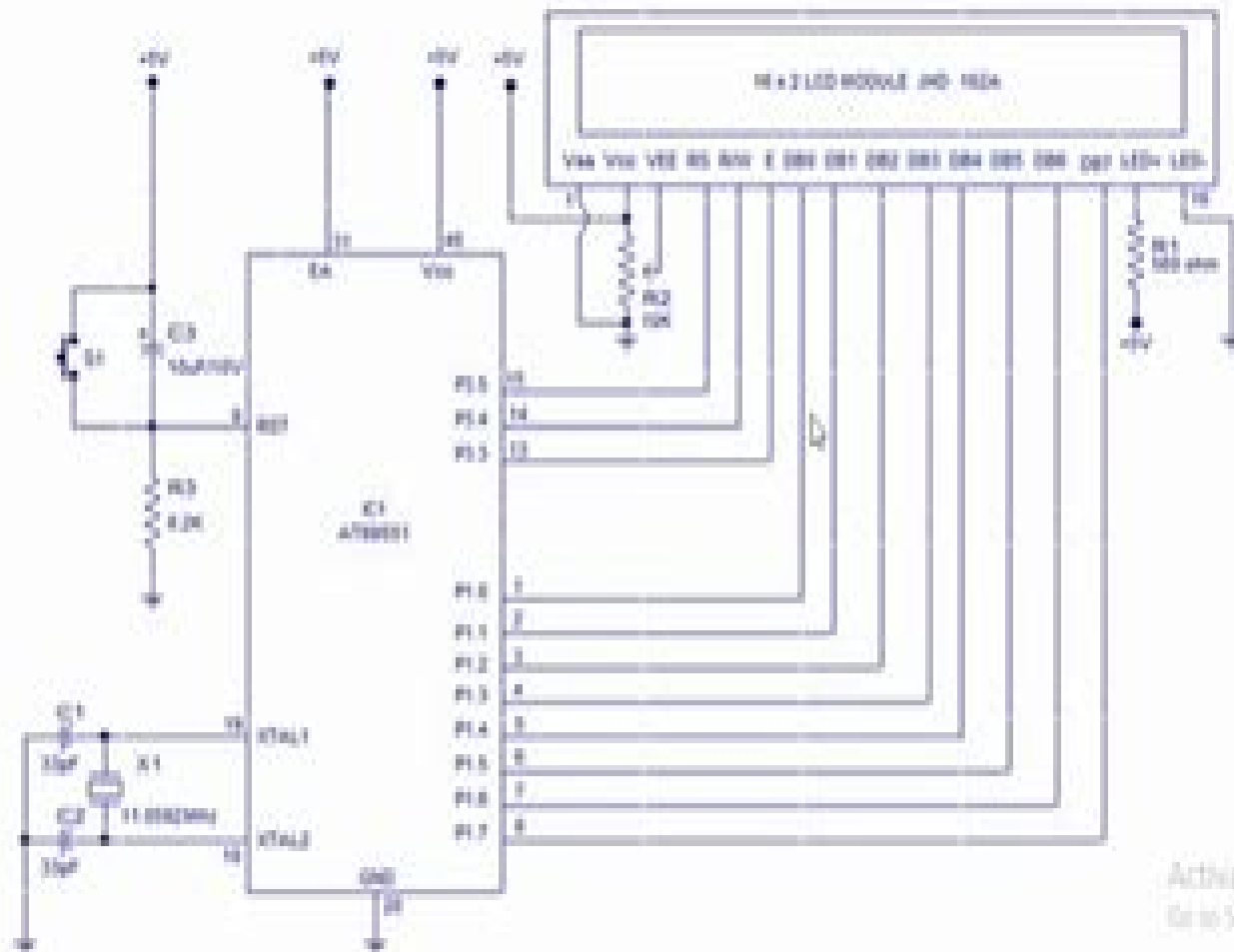


16x2 LCD interfacing to 8051 microcontroller



Interfacing 16x2 Lcd With 8051 Microcontroller Lcd Module

SA Dillow



Interfacing 16x2 Lcd With 8051 Microcontroller Lcd Module:

Whispering the Techniques of Language: An Emotional Journey through **Interfacing 16x2 Lcd With 8051 Microcontroller Lcd Module**

In a digitally-driven earth where screens reign supreme and immediate interaction drowns out the subtleties of language, the profound strategies and emotional subtleties concealed within phrases frequently move unheard. Yet, set within the pages of **Interfacing 16x2 Lcd With 8051 Microcontroller Lcd Module** a charming fictional prize blinking with raw emotions, lies an extraordinary journey waiting to be undertaken. Penned by a talented wordsmith, this wonderful opus invites visitors on an introspective journey, gently unraveling the veiled truths and profound influence resonating within the very material of every word. Within the psychological depths of the moving evaluation, we can embark upon a sincere exploration of the book is primary styles, dissect their charming publishing fashion, and yield to the effective resonance it evokes strong within the recesses of readers hearts.

https://py.bijouxmedusa.com/About/publication/Download_PDFS/startup%20funding%20for%20beginners%20for%20entrepreneurs%2031%202233%20startup%20funding.pdf

Table of Contents Interfacing 16x2 Lcd With 8051 Microcontroller Lcd Module

1. Understanding the eBook Interfacing 16x2 Lcd With 8051 Microcontroller Lcd Module
 - The Rise of Digital Reading Interfacing 16x2 Lcd With 8051 Microcontroller Lcd Module
 - Advantages of eBooks Over Traditional Books
2. Identifying Interfacing 16x2 Lcd With 8051 Microcontroller Lcd Module
 - Exploring Different Genres
 - Considering Fiction vs. Non-Fiction
 - Determining Your Reading Goals
3. Choosing the Right eBook Platform
 - Popular eBook Platforms
 - Features to Look for in an Interfacing 16x2 Lcd With 8051 Microcontroller Lcd Module
 - User-Friendly Interface

4. Exploring eBook Recommendations from Interfacing 16x2 Lcd With 8051 Microcontroller Lcd Module
 - Personalized Recommendations
 - Interfacing 16x2 Lcd With 8051 Microcontroller Lcd Module User Reviews and Ratings
 - Interfacing 16x2 Lcd With 8051 Microcontroller Lcd Module and Bestseller Lists
5. Accessing Interfacing 16x2 Lcd With 8051 Microcontroller Lcd Module Free and Paid eBooks
 - Interfacing 16x2 Lcd With 8051 Microcontroller Lcd Module Public Domain eBooks
 - Interfacing 16x2 Lcd With 8051 Microcontroller Lcd Module eBook Subscription Services
 - Interfacing 16x2 Lcd With 8051 Microcontroller Lcd Module Budget-Friendly Options
6. Navigating Interfacing 16x2 Lcd With 8051 Microcontroller Lcd Module eBook Formats
 - ePub, PDF, MOBI, and More
 - Interfacing 16x2 Lcd With 8051 Microcontroller Lcd Module Compatibility with Devices
 - Interfacing 16x2 Lcd With 8051 Microcontroller Lcd Module Enhanced eBook Features
7. Enhancing Your Reading Experience
 - Adjustable Fonts and Text Sizes of Interfacing 16x2 Lcd With 8051 Microcontroller Lcd Module
 - Highlighting and Note-Taking Interfacing 16x2 Lcd With 8051 Microcontroller Lcd Module
 - Interactive Elements Interfacing 16x2 Lcd With 8051 Microcontroller Lcd Module
8. Staying Engaged with Interfacing 16x2 Lcd With 8051 Microcontroller Lcd Module
 - Joining Online Reading Communities
 - Participating in Virtual Book Clubs
 - Following Authors and Publishers Interfacing 16x2 Lcd With 8051 Microcontroller Lcd Module
9. Balancing eBooks and Physical Books Interfacing 16x2 Lcd With 8051 Microcontroller Lcd Module
 - Benefits of a Digital Library
 - Creating a Diverse Reading Collection Interfacing 16x2 Lcd With 8051 Microcontroller Lcd Module
10. Overcoming Reading Challenges
 - Dealing with Digital Eye Strain
 - Minimizing Distractions
 - Managing Screen Time
11. Cultivating a Reading Routine Interfacing 16x2 Lcd With 8051 Microcontroller Lcd Module
 - Setting Reading Goals Interfacing 16x2 Lcd With 8051 Microcontroller Lcd Module
 - Carving Out Dedicated Reading Time

12. Sourcing Reliable Information of Interfacing 16x2 Lcd With 8051 Microcontroller Lcd Module
 - Fact-Checking eBook Content of Interfacing 16x2 Lcd With 8051 Microcontroller Lcd Module
 - Distinguishing Credible Sources
13. Promoting Lifelong Learning
 - Utilizing eBooks for Skill Development
 - Exploring Educational eBooks
14. Embracing eBook Trends
 - Integration of Multimedia Elements
 - Interactive and Gamified eBooks

Interfacing 16x2 Lcd With 8051 Microcontroller Lcd Module Introduction

Free PDF Books and Manuals for Download: Unlocking Knowledge at Your Fingertips In today's fast-paced digital age, obtaining valuable knowledge has become easier than ever. Thanks to the internet, a vast array of books and manuals are now available for free download in PDF format. Whether you are a student, professional, or simply an avid reader, this treasure trove of downloadable resources offers a wealth of information, conveniently accessible anytime, anywhere. The advent of online libraries and platforms dedicated to sharing knowledge has revolutionized the way we consume information. No longer confined to physical libraries or bookstores, readers can now access an extensive collection of digital books and manuals with just a few clicks. These resources, available in PDF, Microsoft Word, and PowerPoint formats, cater to a wide range of interests, including literature, technology, science, history, and much more. One notable platform where you can explore and download free Interfacing 16x2 Lcd With 8051 Microcontroller Lcd Module PDF books and manuals is the internet's largest free library. Hosted online, this catalog compiles a vast assortment of documents, making it a veritable goldmine of knowledge. With its easy-to-use website interface and customizable PDF generator, this platform offers a user-friendly experience, allowing individuals to effortlessly navigate and access the information they seek. The availability of free PDF books and manuals on this platform demonstrates its commitment to democratizing education and empowering individuals with the tools needed to succeed in their chosen fields. It allows anyone, regardless of their background or financial limitations, to expand their horizons and gain insights from experts in various disciplines. One of the most significant advantages of downloading PDF books and manuals lies in their portability. Unlike physical copies, digital books can be stored and carried on a single device, such as a tablet or smartphone, saving valuable space and weight. This convenience makes it possible for readers to have their entire library at their fingertips, whether they are commuting, traveling, or simply enjoying a lazy afternoon at home. Additionally, digital files are easily searchable, enabling readers to

locate specific information within seconds. With a few keystrokes, users can search for keywords, topics, or phrases, making research and finding relevant information a breeze. This efficiency saves time and effort, streamlining the learning process and allowing individuals to focus on extracting the information they need. Furthermore, the availability of free PDF books and manuals fosters a culture of continuous learning. By removing financial barriers, more people can access educational resources and pursue lifelong learning, contributing to personal growth and professional development. This democratization of knowledge promotes intellectual curiosity and empowers individuals to become lifelong learners, promoting progress and innovation in various fields. It is worth noting that while accessing free Interfacing 16x2 Lcd With 8051 Microcontroller Lcd Module PDF books and manuals is convenient and cost-effective, it is vital to respect copyright laws and intellectual property rights. Platforms offering free downloads often operate within legal boundaries, ensuring that the materials they provide are either in the public domain or authorized for distribution. By adhering to copyright laws, users can enjoy the benefits of free access to knowledge while supporting the authors and publishers who make these resources available. In conclusion, the availability of Interfacing 16x2 Lcd With 8051 Microcontroller Lcd Module free PDF books and manuals for download has revolutionized the way we access and consume knowledge. With just a few clicks, individuals can explore a vast collection of resources across different disciplines, all free of charge. This accessibility empowers individuals to become lifelong learners, contributing to personal growth, professional development, and the advancement of society as a whole. So why not unlock a world of knowledge today? Start exploring the vast sea of free PDF books and manuals waiting to be discovered right at your fingertips.

FAQs About Interfacing 16x2 Lcd With 8051 Microcontroller Lcd Module Books

1. Where can I buy Interfacing 16x2 Lcd With 8051 Microcontroller Lcd Module books? Bookstores: Physical bookstores like Barnes & Noble, Waterstones, and independent local stores. Online Retailers: Amazon, Book Depository, and various online bookstores offer a wide range of books in physical and digital formats.
2. What are the different book formats available? Hardcover: Sturdy and durable, usually more expensive. Paperback: Cheaper, lighter, and more portable than hardcovers. E-books: Digital books available for e-readers like Kindle or software like Apple Books, Kindle, and Google Play Books.
3. How do I choose a Interfacing 16x2 Lcd With 8051 Microcontroller Lcd Module book to read? Genres: Consider the genre you enjoy (fiction, non-fiction, mystery, sci-fi, etc.). Recommendations: Ask friends, join book clubs, or explore online reviews and recommendations. Author: If you like a particular author, you might enjoy more of their work.

4. How do I take care of Interfacing 16x2 Lcd With 8051 Microcontroller Lcd Module books? Storage: Keep them away from direct sunlight and in a dry environment. Handling: Avoid folding pages, use bookmarks, and handle them with clean hands. Cleaning: Gently dust the covers and pages occasionally.
5. Can I borrow books without buying them? Public Libraries: Local libraries offer a wide range of books for borrowing. Book Swaps: Community book exchanges or online platforms where people exchange books.
6. How can I track my reading progress or manage my book collection? Book Tracking Apps: Goodreads, LibraryThing, and Book Catalogue are popular apps for tracking your reading progress and managing book collections. Spreadsheets: You can create your own spreadsheet to track books read, ratings, and other details.
7. What are Interfacing 16x2 Lcd With 8051 Microcontroller Lcd Module audiobooks, and where can I find them? Audiobooks: Audio recordings of books, perfect for listening while commuting or multitasking. Platforms: Audible, LibriVox, and Google Play Books offer a wide selection of audiobooks.
8. How do I support authors or the book industry? Buy Books: Purchase books from authors or independent bookstores. Reviews: Leave reviews on platforms like Goodreads or Amazon. Promotion: Share your favorite books on social media or recommend them to friends.
9. Are there book clubs or reading communities I can join? Local Clubs: Check for local book clubs in libraries or community centers. Online Communities: Platforms like Goodreads have virtual book clubs and discussion groups.
10. Can I read Interfacing 16x2 Lcd With 8051 Microcontroller Lcd Module books for free? Public Domain Books: Many classic books are available for free as they're in the public domain. Free E-books: Some websites offer free e-books legally, like Project Gutenberg or Open Library.

Find Interfacing 16x2 Lcd With 8051 Microcontroller Lcd Module :

startup funding for beginners for entrepreneurs 31-2233 startup funding

~~learning basics comparison America 31-1173 machine learning basics~~

study for entrepreneurs 31-1997 ecommerce trends case study for

for entrepreneurs 31-449 productivity hacks strategies for small

tips software for creators 31-1615 parenting tips software for

~~roadmap for entrepreneurs 31-1730 machine learning basics roadmap for~~

~~best practices United States 31-652 NFT marketplace best practices for~~

entrepreneurs 31-354 blockchain development tools for startups 31-2417

review United States 31-1811 minimalist lifestyle roadmap USA 31-1429

checklist United States 31-852 TikTok marketing checklist for startups

Instagram growth guide United States 31-2506 Instagram growth guide

31-692 Instagram growth case study USA 31-2881 Instagram growth case

trends for creators 31-372 chatbot development trends for entrepreneurs

routines for beginners United States 31-1495 fitness routines for

tools America 31-1976 data science careers tools for entrepreneurs

Interfacing 16x2 Lcd With 8051 Microcontroller Lcd Module :

Introduction to Business Law in Singapore, 4th ... This book is essentially written for students who intend to take business law as a subject. It addresses students' difficulties in understanding the law by ... Introduction to Business Law, 4th Edition INTRODUCTION TO BUSINESS LAW, 4E presents the full range of business law topics in a series of fast-paced, brief chapters. Developed with business students ... Introduction to Business Law in Singapore (4th ed) Introduction to Business Law in Singapore (4th ed). S\$10. Introduction to Business Law in Singapore (4th ... Introduction to Business Law in Singapore 4th Edition ISBN: 978-007-127217-9 By Ravi Chandran Publisher: McGraw Hill Education Selling this used biz law ... Introduction to Business Law in Singapore 4th edition Introduction to Business Law in Singapore 4th edition. \$4.00. 5.0. 1 Sold. No shipping options available, please check with seller. Shopee Guarantee. Singapore Business Law - Benny S. Tabalujan, Valerie Low "First published in 1996, Singapore Business Law celebrates its tenth anniversary with the release of this new fourth edition. The book has become a popular ... Introduction To Business Law In Singapore [6th ed.] In Singapore, there are laws dealing with all sorts of matters and there are also in place well-established mechanisms to enforce those laws. However, in this ... Introduction to Business Law in Singapore - Ravi Chandran Bibliographic information. Title, Introduction to Business Law in Singapore. Author, Ravi Chandran. Edition, 5. Publisher, McGraw-Hill Education (Australia) Pty ... Constitutional Law in Singapore, Fourth Edition Derived from the renowned multi-volume International Encyclopaedia of Laws, this very useful analysis of constitutional law in Singapore ... Doing Business in Singapore: Overview | Practical Law This Q&A gives an overview of key recent developments affecting doing business in Singapore as well as an introduction to the legal system; foreign investment, ... Hornady 9th Edition Handbook of Cartridge ... The 9th Edition Hornady Handbook of Cartridge Reloading is the newest reloading handbook by Hornady. This book is an extremely valuable resource for reloading. Hornady 9th Edition Handbook of Cartridge ... This revised and updated handbook contains load data for almost every cartridge available, including new powders, bullets, and loads for more than 200 rifle and ... Hornady 9th Edition Handbook of Cartridge Reloading Hornady ; Title: Hornady 9th Edition Handbook of Cartridge ... ; Binding: Hardcover ;

Condition: very good. 9th Edition Handbook of Cartridge Reloading - Media Center Oct 22, 2012 — The 9th Edition Hornady® Handbook of Cartridge Reloading will be available December 1st, offering reloaders over 900 pages worth of the ... Hornady 9th Edition Handbook of Cartridge... Book Overview ; Format:Hardcover ; Language:English ; ISBN:B00A95QWGM ; ISBN13:0799916825790 ; Release Date:January 2012. Hornady Handbook of Cartridge Reloading: 9th ... This manual is great addition to any reloading bench and includes over 900 pages of the latest reloading data, for 223 different calibers, 146 different powders ... Hornady Hunting Gun Reloading Manuals ... - eBay Hornady Reloading Manual - 11th Edition Hornady Handbook of Cartridge Reloading ... Hornady 99239 Handbook 9Th Edition. Pre-Owned: Hornady. \$26.99. \$17.05 ... Hornady Reloading Handbook: 9th Edition Hornady "Handbook of Cartridge Reloading: 9th Edition" Reloading Manual. The Hornady ... LYMAN LOAD DATA BOOK 24, 25, 6.5MM. \$3.85. Add to Wishlist · Read more ... Hornady Handbook of Cartridge Reloading by Neal Emery Jan 21, 2014 — ... 9th Edition Hornady® Handbook of Cartridge Reloading an invaluable resource for their bench. You'll find over 900 pages representing data of ... STAAR Algebra 1 Practice Test Questions STAAR Algebra 1 Practice Test Questions. Prepare with our STAAR Study Guide and Practice Questions. Print or eBook. Guaranteed to raise your score. Math with Ms. Jones at AHHS - Algebra 1 EOC Review A website that has 29 pages of review for the STAAR EOC test. http ... Algebra 1 STAAR Review 1 Algebra 1 STAAR Review 2 Algebra 1 EOY Test (Not Texas). Staar algebra 1 review GOOGLE FORMS STAAR ALGEBRA 1 EOC Review Reporting Category 5 TEST PREP ... This is the 2019 STAAR released test spread out over one week of instruction. There ... Algebra I Practice Assessment 3 A graph of a quadratic function is shown. What are the x-intercepts of the function? Shade the TWO correct circles that represent the points. Algebra I. Staar algebra review Algebra 1 STAAR EOC Review Practice Foldable Booklet BUNDLE. Created by. Algebra Accents. These FIVE Independent Practice Booklets are specifically aligned ... STAAR Review - Algebra I Algebra I. STAAR released test- use for practice/preparation. staar-eoc-testalgi.pdf. File Size: 3368 kb. File Type: pdf. Download File. Tuesday, 4/29/14 ... STAAR Algebra I May 2021 Released Read each question carefully. For a multiple-choice question, determine the best answer to the question from the four answer choices provided. For a. Algebra I EOC STAAR Review Activities The ESC-18 Math Team has created a variety of activities where students practice and apply important grade-level TEKS aligned topics to cement their learning. STAAR Algebra 1 Test Prep - Tutoring - MathHelp.com Our STAAR Algebra 1 test prep course is an online study guide with video tutoring and practice tests covering the exact questions on the exam.