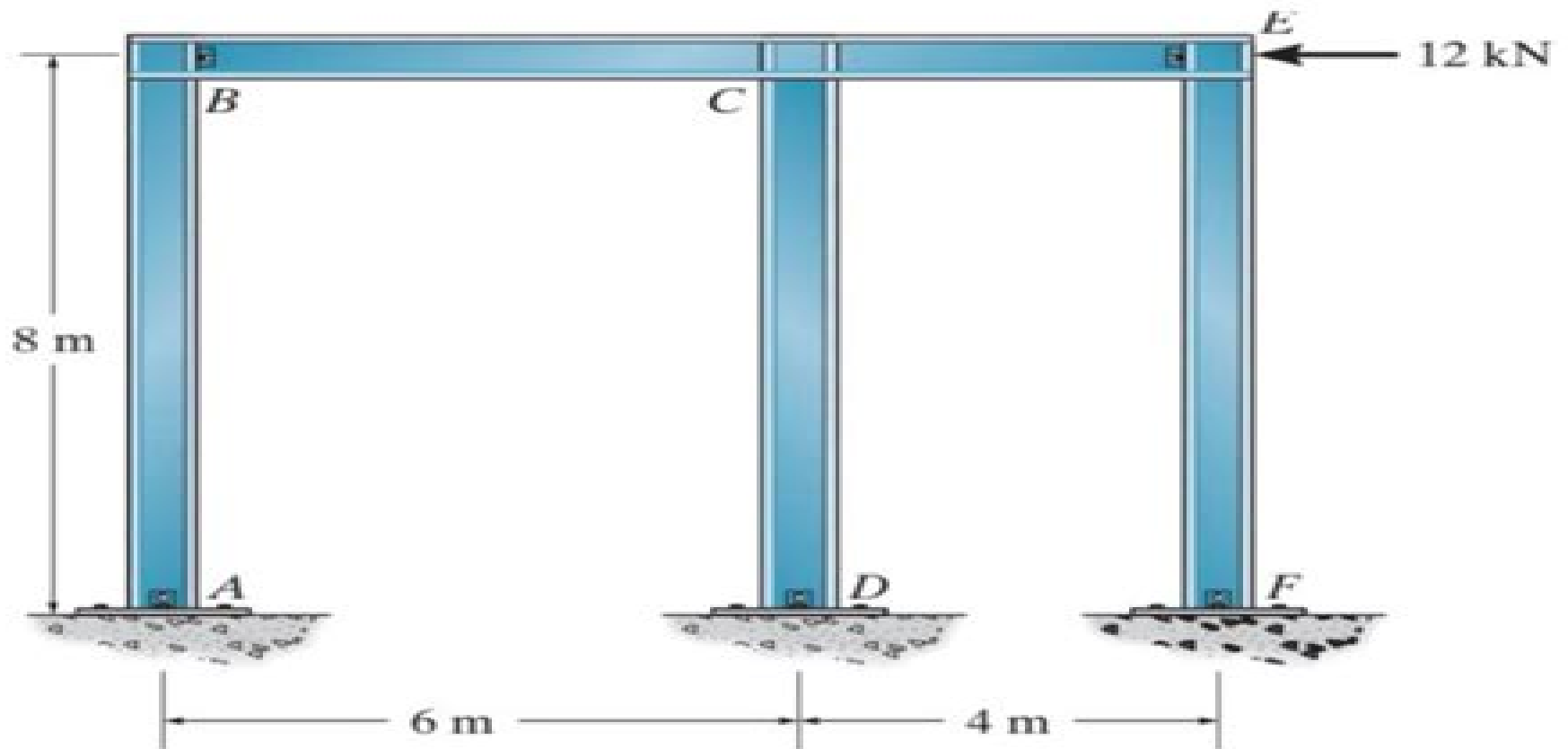


SOLVE USING MOMENT DISTRIBUTION METHOD, frames with sidesway



**Prob. 11-24**

# Moment Distribution Method Study

**cybellium**



## **Moment Distribution Method Study:**

Uncover the mysteries within Explore with is enigmatic creation, Embark on a Mystery with **Moment Distribution Method Study** . This downloadable ebook, shrouded in suspense, is available in a PDF format ( PDF Size: \*). Dive into a world of uncertainty and anticipation. Download now to unravel the secrets hidden within the pages.

[https://py.bijouxmedusa.com/book/uploaded-files/Download\\_PDFS/Eisenbahn%20Journal%20Sonderausgabe%20.pdf](https://py.bijouxmedusa.com/book/uploaded-files/Download_PDFS/Eisenbahn%20Journal%20Sonderausgabe%20.pdf)

## **Table of Contents Moment Distribution Method Study**

1. Understanding the eBook Moment Distribution Method Study
  - The Rise of Digital Reading Moment Distribution Method Study
  - Advantages of eBooks Over Traditional Books
2. Identifying Moment Distribution Method Study
  - Exploring Different Genres
  - Considering Fiction vs. Non-Fiction
  - Determining Your Reading Goals
3. Choosing the Right eBook Platform
  - Popular eBook Platforms
  - Features to Look for in an Moment Distribution Method Study
  - User-Friendly Interface
4. Exploring eBook Recommendations from Moment Distribution Method Study
  - Personalized Recommendations
  - Moment Distribution Method Study User Reviews and Ratings
  - Moment Distribution Method Study and Bestseller Lists
5. Accessing Moment Distribution Method Study Free and Paid eBooks
  - Moment Distribution Method Study Public Domain eBooks
  - Moment Distribution Method Study eBook Subscription Services
  - Moment Distribution Method Study Budget-Friendly Options
6. Navigating Moment Distribution Method Study eBook Formats

- ePub, PDF, MOBI, and More
- Moment Distribution Method Study Compatibility with Devices
- Moment Distribution Method Study Enhanced eBook Features
- 7. Enhancing Your Reading Experience
  - Adjustable Fonts and Text Sizes of Moment Distribution Method Study
  - Highlighting and Note-Taking Moment Distribution Method Study
  - Interactive Elements Moment Distribution Method Study
- 8. Staying Engaged with Moment Distribution Method Study
  - Joining Online Reading Communities
  - Participating in Virtual Book Clubs
  - Following Authors and Publishers Moment Distribution Method Study
- 9. Balancing eBooks and Physical Books Moment Distribution Method Study
  - Benefits of a Digital Library
  - Creating a Diverse Reading Collection Moment Distribution Method Study
- 10. Overcoming Reading Challenges
  - Dealing with Digital Eye Strain
  - Minimizing Distractions
  - Managing Screen Time
- 11. Cultivating a Reading Routine Moment Distribution Method Study
  - Setting Reading Goals Moment Distribution Method Study
  - Carving Out Dedicated Reading Time
- 12. Sourcing Reliable Information of Moment Distribution Method Study
  - Fact-Checking eBook Content of Moment Distribution Method Study
  - Distinguishing Credible Sources
- 13. Promoting Lifelong Learning
  - Utilizing eBooks for Skill Development
  - Exploring Educational eBooks
- 14. Embracing eBook Trends
  - Integration of Multimedia Elements
  - Interactive and Gamified eBooks

### **Moment Distribution Method Study Introduction**

In the digital age, access to information has become easier than ever before. The ability to download Moment Distribution Method Study has revolutionized the way we consume written content. Whether you are a student looking for course material, an avid reader searching for your next favorite book, or a professional seeking research papers, the option to download Moment Distribution Method Study has opened up a world of possibilities. Downloading Moment Distribution Method Study provides numerous advantages over physical copies of books and documents. Firstly, it is incredibly convenient. Gone are the days of carrying around heavy textbooks or bulky folders filled with papers. With the click of a button, you can gain immediate access to valuable resources on any device. This convenience allows for efficient studying, researching, and reading on the go. Moreover, the cost-effective nature of downloading Moment Distribution Method Study has democratized knowledge. Traditional books and academic journals can be expensive, making it difficult for individuals with limited financial resources to access information. By offering free PDF downloads, publishers and authors are enabling a wider audience to benefit from their work. This inclusivity promotes equal opportunities for learning and personal growth. There are numerous websites and platforms where individuals can download Moment Distribution Method Study. These websites range from academic databases offering research papers and journals to online libraries with an expansive collection of books from various genres. Many authors and publishers also upload their work to specific websites, granting readers access to their content without any charge. These platforms not only provide access to existing literature but also serve as an excellent platform for undiscovered authors to share their work with the world. However, it is essential to be cautious while downloading Moment Distribution Method Study. Some websites may offer pirated or illegally obtained copies of copyrighted material. Engaging in such activities not only violates copyright laws but also undermines the efforts of authors, publishers, and researchers. To ensure ethical downloading, it is advisable to utilize reputable websites that prioritize the legal distribution of content. When downloading Moment Distribution Method Study, users should also consider the potential security risks associated with online platforms. Malicious actors may exploit vulnerabilities in unprotected websites to distribute malware or steal personal information. To protect themselves, individuals should ensure their devices have reliable antivirus software installed and validate the legitimacy of the websites they are downloading from. In conclusion, the ability to download Moment Distribution Method Study has transformed the way we access information. With the convenience, cost-effectiveness, and accessibility it offers, free PDF downloads have become a popular choice for students, researchers, and book lovers worldwide. However, it is crucial to engage in ethical downloading practices and prioritize personal security when utilizing online platforms. By doing so, individuals can make the most of the vast array of free PDF resources available and embark on a journey of continuous learning and intellectual growth.

### FAQs About Moment Distribution Method Study Books

How do I know which eBook platform is the best for me? Finding the best eBook platform depends on your reading preferences and device compatibility. Research different platforms, read user reviews, and explore their features before making a choice. Are free eBooks of good quality? Yes, many reputable platforms offer high-quality free eBooks, including classics and public domain works. However, make sure to verify the source to ensure the eBook credibility. Can I read eBooks without an eReader? Absolutely! Most eBook platforms offer web-based readers or mobile apps that allow you to read eBooks on your computer, tablet, or smartphone. How do I avoid digital eye strain while reading eBooks? To prevent digital eye strain, take regular breaks, adjust the font size and background color, and ensure proper lighting while reading eBooks. What the advantage of interactive eBooks? Interactive eBooks incorporate multimedia elements, quizzes, and activities, enhancing the reader engagement and providing a more immersive learning experience. Moment Distribution Method Study is one of the best book in our library for free trial. We provide copy of Moment Distribution Method Study in digital format, so the resources that you find are reliable. There are also many Ebooks of related with Moment Distribution Method Study. Where to download Moment Distribution Method Study online for free? Are you looking for Moment Distribution Method Study PDF? This is definitely going to save you time and cash in something you should think about.

### Find Moment Distribution Method Study :

[eisenbahn journal sonderausgabe](#)

**electrical engineering principles and applications 5th edition solutions**

*earth science weathering note taking answers bing*

*economics of forest resources universitas brawijaya*

*el dia de campo de don chanco*

~~electrical theories in gujarati~~

[electronic materials and devices kasap solution manual](#)

**ejercicios resueltos contabilidad gestion costes m guasch**

**electrocardiography of arrhythmias a comprehensive review a companion to cardiac electrophysiology author**

**mithilesh kumar das published on april 2012**

~~elementary differential equations and boundary value problems solutions~~

[electronic commerce 10th edition gary p schneider](#)

[elemental geosystems 8th edition](#)

easy classical guitar duets featuring music of brahms mozart beethoven tchaikovsky and others in standard notation and tablature

earthquake resistant design by pankaj agarwal

electrical objective question of bl theraja

### **Moment Distribution Method Study :**

scheduling 101 the basic of best practices project management institute - Apr 10 2023

web oct 13 2009 project success begins with well developed plans and a crucial element of any project plan is the project schedule this paper examines the essential components constituting a project schedule in doing so it defines the purpose and process of creating a work breakdown structure wbs work packages project activities logic resources and

what is detailed scheduling 2023 comprehensive guide - Sep 15 2023

web oct 17 2023 saved time scheduling is time consuming business even with the most experienced schedulers on board a centralized source of information makes it easier for planners to view resource availability and reduce lead times cut down scheduling time with planning scenarios and semi automated workstation assignment

*sap s 4hana manufacturing for planning scheduling implementation - Mar 09 2023*

web this guide describes the detailed configuration for using the sap s 4hana manufacturing for planning scheduling capability of sap digital supply chain management edition for sap s 4hana dsc system in a side by side

**detailed scheduling and planning lesson 7 pdf scribd - May 31 2022**

web sep 8 2022 on completion of this lesson you will be able to identify the level of detail needed to produce effective load and priority plans explain the purpose of safety capacity identify the outputs required from capacity planning to formulate capacity plans tooling requirements and overload or underload conditions balance capacity and

**detailed scheduling content and planning manual stage gapinc - Mar 29 2022**

web solving large scale production scheduling and planning in the process industries offers a valuable reference guide for researchers and decision makers alike as it shows readers how to evaluate and improve existing installations and how to design new ones

**production planning and detailed scheduling pp ds springer - Feb 08 2023**

web detailed schedules are required as an input to other aps modules as well as for execution usually via an erp system see section 6 5 finally section 6 6 explains the content of the learning units 6 1 operating principles of production segments 6 1 1 criteria production planning and scheduling concern the most detailed planning

**detailed scheduling and planning lesson 6 pdf scheduling - Oct 04 2022**

web this document contains the sixth lesson in the detailed scheduling and planning unit which is one of five units designed to prepare students to take the apics cpim examination before completing the detailed scheduling and planning unit you should complete the basics of

[detailed scheduling flexis com](#) - Oct 16 2023

web detailed description flexis detailed scheduling compares planning values and actual feedback for well founded replanning schedule changes can be adjusted by drag drop reducing manual effort e g using excel tables

**detailed scheduling sap documentation** - Jul 13 2023

web show toc detailed scheduling detailed scheduling is used to determine the resources and dates times for carrying out operations taking resource and product availability into consideration support the scheduler in scheduling resources that is when creating an optimal processing sequence for operations

**our planning process** - Feb 25 2022

web our planning process in planning for singapore s land use we take a long term approach this is to optimise our limited land and to ensure the current and future needs of the people are met this long term planning involves broad strategies identifying land for various needs and establishing singapore s overall development pace

*17 detailed scheduling springer* - Dec 06 2022

web 17 detailed scheduling 17 1 planning board the planning board is the central tool for detailed scheduling where operations orders and the resource load are displayed figure 17 1 shows a planning board configuration with the resource chart gantt chart and the order chart other available charts are e g the operation chart and the resource

**production planning and detailed scheduling pp ds** - Jun 12 2023

web you use the production planning run to execute heuristics detailed scheduling functions or optimization for a large number of objects online or as a background job during the production planning run several heuristics or functions can be executed one after the other in a production planning run you execute procurement planning in particular

*overview of the key functionality production planning and detailed* - Jan 07 2023

web apr 10 2019 detailed scheduling planning board the most important tool in capacity planning is the detailed scheduling planning board the detailed scheduling planning board is the central tool for interactive capacity planning

[detailed scheduling and planning lesson 1 pdf inventory](#) - Aug 14 2023

web this lesson examines inventory types and classifications methods of order review factors influencing lot sizes lot sizing techniques and costs associated with order quantity policies these issues affect inventory management planning and control and specifically the inputs to material requirements planning mrp

*a handbook for construction planning and scheduling* - Nov 05 2022

web apr 14 2014 the authoritative industry guide on good practice for planning and scheduling in construction this handbook acts as a guide to good practice a text to accompany learning and a reference document for those needing information on background best practice and methods for practical application

**a guide to singapore company employee handbook employee manual** - Sep 03 2022

web the employee handbook is an efficient manual which explains all the policies and the procedures in your company so that you don't have to manually explain it again each time a new staff joins the team

detailed scheduling and planning lesson 8 pdf scribd - Apr 29 2022

web detailed scheduling and planning unit 2 preface course description this document contains the eighth lesson in the detailed scheduling and planning unit which is one of five units designed to prepare students to take the apics cpim examination

*pdf process of project planning and scheduling* - Aug 02 2022

web aug 3 2022 the objectives of the project are 1 to highlight the process of project planning and scheduling as one of the responsibilities of the project manager 2 to illustrate the vitality of planning

**practice standard for scheduling project management institute** - May 11 2023

web project management institute practice standard for scheduling second edition library of congress cataloging in publication data practice standard for scheduling project management institute 2nd ed p cm includes bibliographical references and index isbn 978 1 935589 24 2 pbk alk paper 1 project management standards i

a handbook for construction planning and scheduling wiley - Jul 01 2022

web 1 an introduction to planning and scheduling 3 a brief history of planning and scheduling 3 critical path methods 4 the impact of the pc 5 new systems and new thinking 6 new information and communication technologies 6 planning 7 who plans 8 planning programming and scheduling 8 the cost and benefits of planning 10 types of plans 11

vala c rian tome 9 ma c tro cha telet direction c pdf - Sep 06 2023

web vala c rian tome 9 ma c tro cha telet direction c pdf download only title vala c rian tome 9 ma c tro cha telet direction c pdf download only qa thechesedfund com created date 9 3 2023 9 07 13 pm

*vala c rian tome 9 ma c tro cha telet direction c pdf* - Feb 16 2022

web of our books taking into account this one merely said the vala c rian tome 9 ma c tro cha telet direction c pdf is universally compatible later any devices to read nature and history in modern italy marco armiero 2010 08 31 marco armiero is senior researcher at the italian national research council and marie curie fellow at the

**valérian tome 9 métro châtelet direction cassiopée by christin** - Jun 22 2022

web oct 3 2023 module 0 9 749 subscribe to our newsletters full text of brooklyn new york city telephone directory 203 347

greenwich connecticut callertube 1987 lmu yearbook by the tower yearbook lmu issuu val rian et laureline tome 4 french edition treasury 2015 open spending albania free reverse phone lookup for 613 234 ottawa ontario

**vala c rian tome 9 ma c tro cha telet direction c pdf** - Apr 01 2023

web 2 vala c rian tome 9 ma c tro cha telet direction c 2021 04 30 book is probably the best introduction to it for the newcomer from david to gedaliah columbia university press i will survive is the story of gloria gaynor america s queen of disco it is the story of riches and fame despair and finally salvation her meteoric rise to

**vala c rian tome 9 ma c tro cha telet direction c** - Jul 04 2023

web feb 25 2023 vala c rian tome 9 ma c tro cha telet direction c recognizing the habit ways to acquire this book vala c rian tome 9 ma c tro cha telet direction c is additionally useful you have remained in right site to begin getting this info get the vala c rian tome 9 ma c tro cha telet direction c join that we allow here and check out the

[vala c rian tome 9 ma c tro cha telet direction c book](#) - Mar 20 2022

web mar 20 2023 just exercise just what we provide under as without difficulty as review vala c rian tome 9 ma c tro cha telet direction c what you later than to read twelve years a slave illustrated solomon northup 2014 08 22 twelve years a slave 1853 is a memoir and slave narrative by solomon northup as told to and edited by david wilson

*métro châtelet direction cassiopée valérien 9* *goodreads* - Sep 25 2022

web jan 1 2001 valérien and laureline 9*métro châtelet direction cassiopée pierre christin jean claude mézières* illustrator j aime beaucoup le principe de communication instauré entre laureline et valérien c est une idée ingénieuse de la part de l auteur par ailleurs l ambiance de cette histoire est superbe grâce à l alternance entre le

**vala c rian tome 9 ma c tro cha telet direction c pdf** - Jun 03 2023

web vala c rian tome 9 ma c tro cha telet direction c pdf upload mia f williamson 2 7 downloaded from voto uneal edu br on september 6 2023 by mia f williamson 3 working with multiple promises page 43 the promise all method page 51 the promise allsettled method page 57 the promise any method page 61 the promise race method page

**vala c rian tome 9 ma c tro cha telet direction c pdf copy** - Aug 05 2023

web recognizing the habit ways to acquire this ebook vala c rian tome 9 ma c tro cha telet direction c pdf is additionally useful you have remained in right site to start getting this info get the vala c rian tome 9 ma c tro cha telet direction c pdf partner that we present here and check out the link you could buy lead vala c rian tome 9 ma c

**vala c rian tome 9 ma c tro cha telet direction c pdf** - Aug 25 2022

web direction c 1 vala c rian tome 9 ma c tro cha telet direction c right here we have countless books vala c rian tome 9 ma c tro cha telet direction c and collections to check out we additionally come up with the money for variant types and afterward type of the books to browse the okay book fiction history novel scientific research as

**valérian tome 9 métro châtelet direction cassiopée by christin** - Oct 27 2022

web jun 13 2023 valérian tome 9 métro châtelet direction cassiopée by christin jean claude mezières valérian tome 9 métro châtelet direction cassiopée by christin jean claude mezières fornavne t tzen wu people directory kobane calling zerocalcare download full list 8 701 to take november 2018 philippine bar exam full text of the

**vala c rian tome 9 ma c tro cha telet direction c full pdf** - Oct 07 2023

web vala c rian tome 9 ma c tro cha telet direction c 3 3 empire to cohere jounpore springer lecture course at the college de france 1977 1978 the poems of alice and phoebe cary jhu press brasilien ist ein bunter zirkus in dem man das morgen vergisst über dem glück des augenblicks dieses lebensgefühl ist ansteckend der fremde wird

**vala c rian tome 9 ma c tro cha telet direction c pdf ftp** - Nov 27 2022

web this online proclamation vala c rian tome 9 ma c tro cha telet direction c can be one of the options to accompany you taking into account having further time it will not waste your time understand me the e book will extremely proclaim you additional concern to read just invest little grow old to read this on line publication vala c rian

*vala c rian tome 9 ma c tro cha telet direction c pdf book* - Jul 24 2022

web jun 2 2023 vala c rian tome 9 ma c tro cha telet direction c pdf eventually you will certainly discover a additional experience and feat by spending more cash yet when get you it is your categorically own era to exploit reviewing habit in the midst of guides you could enjoy now is vala c rian tome 9 ma c tro cha telet direction c pdf below title

**valérian tome 9 métro châtelet direction cassiopée by christin** - May 02 2023

web valérian tome 9 métro châtelet direction cassiopée by christin jean claude mezières valérian tome 9 métro châtelet direction cassiopée by christin jean claude mezières asuncion pangandoyon asus koki people directory ra deep house artists resident advisor press releases for 2004 roman catholic archdiocese of memphis daily appeal

*bookdoc com* - Jan 30 2023

web valã â rian tome 9 mã â tro chã â telet direction cassiopã â e by christin jean claude meziã res full list 8 701 to take november 2018 philippine bar exam v returned 191

vala c rian tome 9 ma c tro cha telet direction c - Apr 20 2022

web vala c rian tome 9 ma c tro cha telet direction c 1 vala c rian tome 9 ma c tro cha telet direction c when somebody should go to the ebook stores search launch by shop shelf by shelf it is essentially problematic this is why we allow the books compilations in this website it will entirely ease you to see guide vala c rian tome 9

*valã â rian tome 9 mã â tro chã â telet direction cassiopã â e* - Feb 28 2023

web jun 10 2023 browse the valã â rian tome 9 mã â tro chã â telet direction cassiopã â e by christin jean claude meziã res join that we have the funds for here and check out the link it will undoubtedly fritter away the time along with instructions

you could take pleasure in the present is valã â rian tome 9 mã â tro chã â telet  
[vala c rian tome 9 ma c tro cha telet direction c free pdf](#) - Dec 29 2022

web ebooks vala c rian tome 9 ma c tro cha telet direction c pdf books this is the book you are looking for from the many other titles of vala c rian tome 9 ma c tro cha telet direction c pdf books here is also available other sources of this manual metcaluser guide cha cha cha rounddancing netpublic to dance

[valérian tome 9 métro châtelet direction cassiopée christin](#) - May 22 2022

web abebooks com valérian tome 9 métro châtelet direction cassiopée 9782205046397 by christin pierre and a great selection of similar new used and collectible books available now at great prices

**installation operation manual eubank** - Jul 31 2023

web eubank eaa ega wall mount ac installation operation manual 10 2023 rev 12 air conditioner product manual vertical wall mount air conditioners with front control box

[heating ventilating air conditioning units eubank](#) - Sep 20 2022

web jul 15 2021 i replaced an old lux mercury thermostat to a new honeywell non programmable rth 111 it s running a big older eubank cooling only wall mount air

**literature library eubank** - Dec 12 2021

web eub eubank walpac cabinet color 040 4 kw 100120 12 kw beige 200050 5 kw gray 400 white 50036 stainless steel u exterior only ss 500 stainless

**eubank h series installation operation** - Mar 27 2023

web eubank wall mount heat pumps are high efficiency vertical wall mounted heat pumps that provide heating cooling and ventilation for a wide range of applications nominal

[eubank v series manuals manualslib](#) - May 29 2023

web literature view our collection of product literature for our air conditioners controllers heat pumps

[eubank wiring diagram cdn writermag](#) - Feb 11 2022

web 4 eubank wiring diagram 2021 06 03 geometry of least squares vector matrix calculus simultaneous inference and logistic and nonlinear regression algebraic geometrical

*installation operation manual* - Nov 10 2021

*installation operation manual* - Feb 23 2023

web eubank wall mount heat pumps are high efficiency vertical wall mounted heat pumps that provide heating cooling and ventilation for a wide range of applications nominal

[literature library eubank](#) - Oct 22 2022

web oct 17 2023 heating ventilating and air conditioning units the airx climate solutions brand of eubank is a leading manufacturer of specialty heating and air conditioning

[installation operation manual eubank](#) - Oct 02 2023

web eubank wall mount heat pump i o manual 06 2022 rev 5 models eaa1020h eaa1024h eaa1030h eaa1036h eaa1042h eaa1048h installation operation

[eubank v series installation operation and maintenance manual](#) - Dec 24 2022

web eubank walpac ac installation operation manual 2 03 2019 rev 3 how to use this manual this manual is intended to be a guide to eubank walpac family of vertical air

**eubank wiring diagram db csda org** - Apr 15 2022

web 2 eubank wiring diagram 2020 03 18 erases the memory of mistakes defeat brings into sharp focus the causes that led to failure and provides a fruitful field of study for those

**automatic transfer switch changeover connection youtube** - Jun 17 2022

web jun 23 2014 demo of the eubanks model 2700 05 wire stripper cutter please contact eubanks engineering co eubanks com for more information

**eubanks model 2700 05 demo youtube** - May 17 2022

web eubank wiring diagram downloaded from db csda org by guest rory blanchard the oxford handbook of event related potential components earthscan a clear and

*eubanks catalog pages irp cdn website com* - Jul 19 2022

web automatic transfer switch changeover connection three phase a t s wiring diagram welcome to my youtube channel

[installation operation manual](#) - Nov 22 2022

web product literature product data sheet eaa1024a 1072a wall mount ac pds rev 13 pdf 3472211 download installation operation manual eaa1020a 1072a wall mount

**installation operation manual eubank** - Jan 25 2023

web air conditioner eubank tv36s installation operation and maintenance manual tv series 10 eer wallmount air conditioners 18 pages air conditioner eubank eaa1020a

[o and g thermostat wires on eubank wall mount air conditioner](#) - Aug 20 2022

web 122191 10 eubanks wire guide 0 0750 0 thursday october 14 2021 page 7 of 23 model 2700 tool type wire guide product code description 122193 20 eubanks

*eubank wiring diagram helpdesk teleco* - Jan 13 2022

web eubank h series i o manual pdf 2513953 download eubank v series heat pump i o manual pdf 851413 download eubank sv series a c i o manual pdf 2880242

eubank th series installation operation manual - Sep 01 2023

web page 13 figure 5 typical wiring diagram th36 60 208 230v 1Ø w economizer no heat eubank th series heat pump i o manual 09 2018 rev 10 page 14 figure 6

**eubank v series operating and maintenance** - Jun 29 2023

web we have 2 eubank v series manuals available for free pdf download low voltage wiring 4 unit installation 4 exploded parts drawing 5 exploded parts drawing 6

*eubank wiring diagram qa nuevesolutions* - Mar 15 2022

web eubank wiring diagram 5 5 frequentist and bayesian approaches to both the inference of linear models and the analysis of variance are also illustrated through the expansion of

**literature library eubank** - Apr 27 2023

web view and download eubank h series installation operation manual online wallmount heat pumps r410a series h series heat pump pdf manual download also for