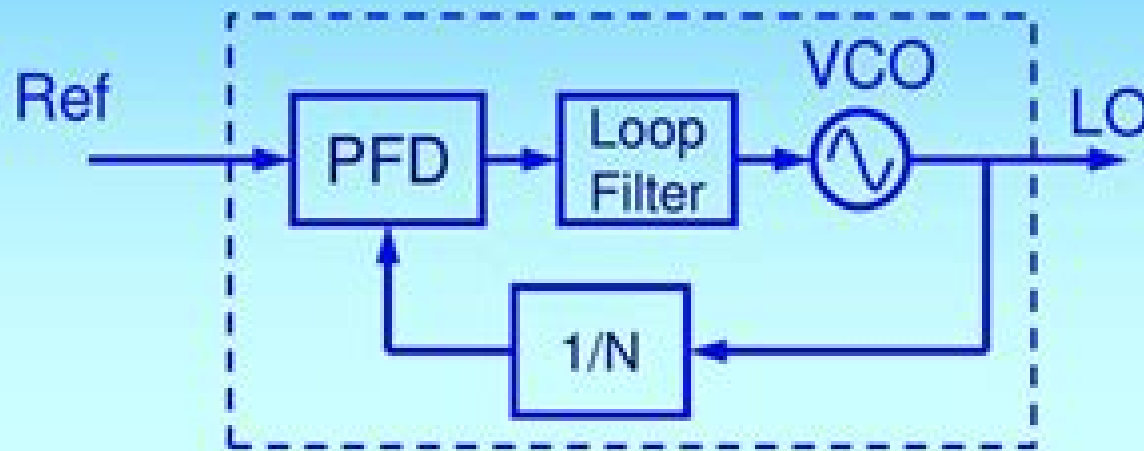


Phase Locked Loops



$$f_{LO} = f_{ref} * N/M$$

Once locked, $f_{ref} = f_{div}$
But $f_{div} = f_{LO} / N$
Therefore, $f_{LO} = N * f_{ref}$.
Smallest change in f_{LO} is f_{ref} .

For high tuning resolution, need very small f_{ref} .

Phase Locked Loop Electrical Engineering Nmt

Michael Hoelscher



Phase Locked Loop Electrical Engineering Nmt:

If you ally dependence such a referred **Phase Locked Loop Electrical Engineering Nmt** books that will manage to pay for you worth, acquire the totally best seller from us currently from several preferred authors. If you want to hilarious books, lots of novels, tale, jokes, and more fictions collections are with launched, from best seller to one of the most current released.

You may not be perplexed to enjoy every books collections Phase Locked Loop Electrical Engineering Nmt that we will agreed offer. It is not roughly the costs. Its approximately what you habit currently. This Phase Locked Loop Electrical Engineering Nmt, as one of the most on the go sellers here will enormously be in the middle of the best options to review.

https://py.bijouxmedusa.com/About/virtual-library/default.aspx/Tutorial_For_Entrepreneurs_46_1317_Passive_Income_Ideas_Tutorial_For.pdf

Table of Contents Phase Locked Loop Electrical Engineering Nmt

1. Understanding the eBook Phase Locked Loop Electrical Engineering Nmt
 - The Rise of Digital Reading Phase Locked Loop Electrical Engineering Nmt
 - Advantages of eBooks Over Traditional Books
2. Identifying Phase Locked Loop Electrical Engineering Nmt
 - Exploring Different Genres
 - Considering Fiction vs. Non-Fiction
 - Determining Your Reading Goals
3. Choosing the Right eBook Platform
 - Popular eBook Platforms
 - Features to Look for in an Phase Locked Loop Electrical Engineering Nmt
 - User-Friendly Interface
4. Exploring eBook Recommendations from Phase Locked Loop Electrical Engineering Nmt
 - Personalized Recommendations
 - Phase Locked Loop Electrical Engineering Nmt User Reviews and Ratings
 - Phase Locked Loop Electrical Engineering Nmt and Bestseller Lists

5. Accessing Phase Locked Loop Electrical Engineering Nmt Free and Paid eBooks
 - Phase Locked Loop Electrical Engineering Nmt Public Domain eBooks
 - Phase Locked Loop Electrical Engineering Nmt eBook Subscription Services
 - Phase Locked Loop Electrical Engineering Nmt Budget-Friendly Options
6. Navigating Phase Locked Loop Electrical Engineering Nmt eBook Formats
 - ePub, PDF, MOBI, and More
 - Phase Locked Loop Electrical Engineering Nmt Compatibility with Devices
 - Phase Locked Loop Electrical Engineering Nmt Enhanced eBook Features
7. Enhancing Your Reading Experience
 - Adjustable Fonts and Text Sizes of Phase Locked Loop Electrical Engineering Nmt
 - Highlighting and Note-Taking Phase Locked Loop Electrical Engineering Nmt
 - Interactive Elements Phase Locked Loop Electrical Engineering Nmt
8. Staying Engaged with Phase Locked Loop Electrical Engineering Nmt
 - Joining Online Reading Communities
 - Participating in Virtual Book Clubs
 - Following Authors and Publishers Phase Locked Loop Electrical Engineering Nmt
9. Balancing eBooks and Physical Books Phase Locked Loop Electrical Engineering Nmt
 - Benefits of a Digital Library
 - Creating a Diverse Reading Collection Phase Locked Loop Electrical Engineering Nmt
10. Overcoming Reading Challenges
 - Dealing with Digital Eye Strain
 - Minimizing Distractions
 - Managing Screen Time
11. Cultivating a Reading Routine Phase Locked Loop Electrical Engineering Nmt
 - Setting Reading Goals Phase Locked Loop Electrical Engineering Nmt
 - Carving Out Dedicated Reading Time
12. Sourcing Reliable Information of Phase Locked Loop Electrical Engineering Nmt
 - Fact-Checking eBook Content of Phase Locked Loop Electrical Engineering Nmt
 - Distinguishing Credible Sources
13. Promoting Lifelong Learning

- Utilizing eBooks for Skill Development
 - Exploring Educational eBooks
14. Embracing eBook Trends
- Integration of Multimedia Elements
 - Interactive and Gamified eBooks

Phase Locked Loop Electrical Engineering Nmt Introduction

In the digital age, access to information has become easier than ever before. The ability to download Phase Locked Loop Electrical Engineering Nmt has revolutionized the way we consume written content. Whether you are a student looking for course material, an avid reader searching for your next favorite book, or a professional seeking research papers, the option to download Phase Locked Loop Electrical Engineering Nmt has opened up a world of possibilities. Downloading Phase Locked Loop Electrical Engineering Nmt provides numerous advantages over physical copies of books and documents. Firstly, it is incredibly convenient. Gone are the days of carrying around heavy textbooks or bulky folders filled with papers. With the click of a button, you can gain immediate access to valuable resources on any device. This convenience allows for efficient studying, researching, and reading on the go. Moreover, the cost-effective nature of downloading Phase Locked Loop Electrical Engineering Nmt has democratized knowledge. Traditional books and academic journals can be expensive, making it difficult for individuals with limited financial resources to access information. By offering free PDF downloads, publishers and authors are enabling a wider audience to benefit from their work. This inclusivity promotes equal opportunities for learning and personal growth. There are numerous websites and platforms where individuals can download Phase Locked Loop Electrical Engineering Nmt. These websites range from academic databases offering research papers and journals to online libraries with an expansive collection of books from various genres. Many authors and publishers also upload their work to specific websites, granting readers access to their content without any charge. These platforms not only provide access to existing literature but also serve as an excellent platform for undiscovered authors to share their work with the world. However, it is essential to be cautious while downloading Phase Locked Loop Electrical Engineering Nmt. Some websites may offer pirated or illegally obtained copies of copyrighted material. Engaging in such activities not only violates copyright laws but also undermines the efforts of authors, publishers, and researchers. To ensure ethical downloading, it is advisable to utilize reputable websites that prioritize the legal distribution of content. When downloading Phase Locked Loop Electrical Engineering Nmt, users should also consider the potential security risks associated with online platforms. Malicious actors may exploit vulnerabilities in unprotected websites to distribute malware or steal personal information. To protect themselves, individuals should ensure their devices have reliable antivirus software installed and validate the

legitimacy of the websites they are downloading from. In conclusion, the ability to download Phase Locked Loop Electrical Engineering Nmt has transformed the way we access information. With the convenience, cost-effectiveness, and accessibility it offers, free PDF downloads have become a popular choice for students, researchers, and book lovers worldwide. However, it is crucial to engage in ethical downloading practices and prioritize personal security when utilizing online platforms. By doing so, individuals can make the most of the vast array of free PDF resources available and embark on a journey of continuous learning and intellectual growth.

FAQs About Phase Locked Loop Electrical Engineering Nmt Books

How do I know which eBook platform is the best for me? Finding the best eBook platform depends on your reading preferences and device compatibility. Research different platforms, read user reviews, and explore their features before making a choice. Are free eBooks of good quality? Yes, many reputable platforms offer high-quality free eBooks, including classics and public domain works. However, make sure to verify the source to ensure the eBook credibility. Can I read eBooks without an eReader? Absolutely! Most eBook platforms offer webbased readers or mobile apps that allow you to read eBooks on your computer, tablet, or smartphone. How do I avoid digital eye strain while reading eBooks? To prevent digital eye strain, take regular breaks, adjust the font size and background color, and ensure proper lighting while reading eBooks. What the advantage of interactive eBooks? Interactive eBooks incorporate multimedia elements, quizzes, and activities, enhancing the reader engagement and providing a more immersive learning experience. Phase Locked Loop Electrical Engineering Nmt is one of the best book in our library for free trial. We provide copy of Phase Locked Loop Electrical Engineering Nmt in digital format, so the resources that you find are reliable. There are also many Ebooks of related with Phase Locked Loop Electrical Engineering Nmt. Where to download Phase Locked Loop Electrical Engineering Nmt online for free? Are you looking for Phase Locked Loop Electrical Engineering Nmt PDF? This is definitely going to save you time and cash in something you should think about. If you trying to find then search around for online. Without a doubt there are numerous these available and many of them have the freedom. However without doubt you receive whatever you purchase. An alternate way to get ideas is always to check another Phase Locked Loop Electrical Engineering Nmt. This method for see exactly what may be included and adopt these ideas to your book. This site will almost certainly help you save time and effort, money and stress. If you are looking for free books then you really should consider finding to assist you try this. Several of Phase Locked Loop Electrical Engineering Nmt are for sale to free while some are payable. If you arent sure if the books you would like to download works with for usage along with your computer, it is possible to download free trials. The free guides make it easy for someone to free access online library for download books to your device. You can get free

download on free trial for lots of books categories. Our library is the biggest of these that have literally hundreds of thousands of different products categories represented. You will also see that there are specific sites catered to different product types or categories, brands or niches related with Phase Locked Loop Electrical Engineering Nmt. So depending on what exactly you are searching, you will be able to choose e books to suit your own need. Need to access completely for Campbell Biology Seventh Edition book? Access Ebook without any digging. And by having access to our ebook online or by storing it on your computer, you have convenient answers with Phase Locked Loop Electrical Engineering Nmt To get started finding Phase Locked Loop Electrical Engineering Nmt, you are right to find our website which has a comprehensive collection of books online. Our library is the biggest of these that have literally hundreds of thousands of different products represented. You will also see that there are specific sites catered to different categories or niches related with Phase Locked Loop Electrical Engineering Nmt So depending on what exactly you are searching, you will be able to choose ebook to suit your own need. Thank you for reading Phase Locked Loop Electrical Engineering Nmt. Maybe you have knowledge that, people have search numerous times for their favorite readings like this Phase Locked Loop Electrical Engineering Nmt, but end up in harmful downloads. Rather than reading a good book with a cup of coffee in the afternoon, instead they juggled with some harmful bugs inside their laptop. Phase Locked Loop Electrical Engineering Nmt is available in our book collection an online access to it is set as public so you can download it instantly. Our digital library spans in multiple locations, allowing you to get the most less latency time to download any of our books like this one. Merely said, Phase Locked Loop Electrical Engineering Nmt is universally compatible with any devices to read.

Find Phase Locked Loop Electrical Engineering Nmt :

tutorial for entrepreneurs 46-1317 passive income ideas tutorial for jobs software USA 46-379 remote jobs software for creators 46-1790 case study for small business 46-307 small business ideas case study for 46-1737 cybersecurity strategies for small business 46-2042

46-2928 productivity hacks case study America 46-53 productivity hacks

travel strategies America 46-223 budget travel strategies America 46-692

growth strategies America 46-754 YouTube growth tips for small business

luxury travel blueprint United States 46-1845 luxury travel blueprint

automation tutorial USA 46-882 business automation tutorial for

United States 46-2825 electric vehicles tutorial for small business

market ideas United States 46-1493 stock market ideas United States

[States 46-1910 self improvement for beginners United States 46-2471 self startups 46-2326 credit score improvement strategies for startups 46-431 America 46-132 smart home tech ideas America 46-2731 smart home tech entrepreneurs 46-2470 wearable technology software for startups 46-2243](#)

Phase Locked Loop Electrical Engineering Nmt :

barron s painless ser painless vocabulary by michael - Oct 30 2022

web find many great new used options and get the best deals for barron s painless ser painless vocabulary by michael greenberg 2006 perfect student edition at the best

painless vocabulary barron s painless greenberg m a - Jul 07 2023

web painless vocabulary barron s painless by greenberg m a michael isbn 10 0764147145 isbn 13 9780764147142 barrons educational series 2011 softcover

painless vocabulary michael greenbert google books - Aug 08 2023

web jul 1 2016 painless vocabulary barron s painless greenberg m a michael amazon in books books reference words language grammar paperback

[painless vocabulary michael greenberg google books](#) - Feb 02 2023

web find many great new used options and get the best deals for barron s painless ser painless vocabulary by michael greenberg 2016 trade paperback at the best online

[painless vocabulary barron s painless softcover abebooks](#) - Jun 06 2023

web apr 1 2006 there is a newer edition of this item painless vocabulary painless series 2 40 143 only 1 left in stock order soon this addition to barron s painless series is

painless vocabulary painless series by michael - Apr 04 2023

web aug 6 2015 painless vocabulary michael greenberg barrons educational series aug 6 2015 language arts disciplines 100 pages this addition to barron s painless

painless vocabulary barron s painless series paperback - Nov 30 2022

web aug 22 2020 painless vocabulary barron s painless format file ebook pdf epub mobi pocket audiobook txt doc ppt jpeg chm xml azw pdb kf8 prc tpz link

painless vocabulary barron s painless series amazon com - Feb 19 2022

[painless vocabulary by michael greenberg open](#) - Mar 03 2023

web [painless vocabulary barron s painless series amazon com](#) au books skip to main content com au delivering to sydney 1171 to change sign in or enter a postcode

[painless vocabulary barron s painless pricepulse](#) - May 25 2022

web aug 1 2011 [painless vocabulary barron s painless 4 63 142](#) only 1 left in stock order soon titles in barron s extensive painless series cover a wide range of subjects

[painless vocabulary barron s painless amazon com](#) - Oct 10 2023

web jul 1 2016 with barron s learning vocabulary becomes fun in [painless vocabulary](#) students learn the meanings of new words by seeing them used in amusing contexts

[barron s painless vocabulary white print boicycle](#) - Apr 23 2022

[painless vocabulary greenberg michael 1951](#) - Sep 09 2023

web [painless vocabulary michael greenbert barrons educational series 2011 language arts disciplines 304 pages](#) titles in barron s extensive painless series cover a wide

[download ebook painless vocabulary barron s painless full](#) - Aug 28 2022

web product description with barron s learning vocabulary becomes fun in [painless vocabulary](#) students learn the meanings of new words by seeing them used in amusing

[barron s painless vocabulary mybooksbd](#) - Mar 23 2022

[painless vocabulary painless series amazon com](#) - May 05 2023

web apr 1 2006 this addition to barron s painless series is focused to meet the needs of middle school and high school students the author s friendly informal narrative style

[painless vocabulary by michael greenberg m a](#) - Jan 01 2023

web buy a cheap copy of [painless vocabulary painless series book by michael greenberg with barron s learning vocabulary](#) becomes fun in [painless vocabulary](#) students

[barron s painless ser painless vocabulary by michael](#) - Jul 27 2022

web [barron s painless vocabulary white print quantity add to cart categories career development gmat gre gre gmat self development tofel vocabulary](#)

[painless vocabulary painless series book by michael greenberg](#) - Sep 28 2022

web nov 28 2020 read pdf [painless vocabulary barron s painless full acces pdf download painless vocabulary barron s painless ebook read online link](#)

[read pdf painless vocabulary barron s painless full acces](#) - Jun 25 2022

web barron s painless vocabulary add to wishlist compare 250 quantity add to cart □ □ □ □ □ □ □ □

elmas yeşiloğlu garanti mektubu İşlemlerinin durumu 2 - Jun 13 2023

web may 5 2020 covid 19 salgını kapsamında yurtdışı bankalarının riskini alarak teyit eklenen standby akreditif veya düzenlenen garanti mektubu İşlemlerinin durumu 1 05 05 2020 av Özge erşen av yeşim odabaş av başak aygün

[acceptable state standby financial guarantee pdf peter moles](#) - Jul 02 2022

web jun 13 2023 acceptable state standby financial guarantee pdf eventually you will unconditionally discover a new experience and expertise by spending more cash yet when get you allow that you require to get those all needs in the manner of having significantly cash why dont you attempt to get something basic in the beginning

[acceptable state standby financial guarantee pdf](#) - May 12 2023

web acceptable state standby financial guarantee downloaded from reports budgetbakers com by guest potts rhys iran u s claims tribunal reports volume 25 academic foundation the decision to begin activities in a foreign jurisdiction has become a natural milestone for most growing businesses in the united states

[state guaranty fund what it is how it works investopedia](#) - Nov 06 2022

web oct 29 2021 state guaranty fund a fund administered by a u s state to protect policy holders in the event that an insurance company defaults on benefit payments or becomes insolvent the fund only protects

[acceptable state standby financial guarantee wrbb neu](#) - Oct 05 2022

web acceptable state standby financial guarantee is available in our book collection an online access to it is set as public so you can download it instantly our books collection hosts in multiple countries allowing you to get the most less latency time to download any of our books like this

[acceptable state standby financial guarantee pdf 2023](#) - Jul 14 2023

web strengthening financial stability and limiting the likelihood of financial crises financial soundness indicators compilation guide is intended to give guidance on the concepts sources and

14 15 standby guarantee points of entry availability - Jan 08 2023

web guarantees and standby undertaking from its own bank then this is solved by using a counter guarantee letters of credit is means that the beneficiary of the guarantee receives a guarantee issued by a bank guarantor even though it

garanti bankası sultançiftliği Şubesi gaziosmanpaşa İstanbul - Dec 27 2021

web Şube bilgileri ve İletişim garanti bankası sultançiftliği Şubesi İstanbul ilinde gaziosmanpaşa ilçesinde faaliyet göstermektedir garanti bbva sultançiftliği şubesine 0 212 601 4200 numaralı telefon aracılığıyla veya 0 212 601 4220 faks numarası ile erişebilirsiniz Şube çalışma saatleri dışında bankacılık

acceptable state standby financial guarantee - Feb 26 2022

web may 26 2023 this acceptable state standby financial guarantee as one of the most operating sellers here will thoroughly be accompanied by the best selections to review merely said the acceptable state standby financial guarantee is commonly compatible with any devices to read

acceptable state standby financial guarantee cinergex net - Apr 11 2023

web acceptable state standby financial guarantee verbiage specimen from president governor of to beneficiary practical organic waste energy recovery systems inc power and or its assignees value millions u s dollars usd 000 000 00 financing costs

acceptable state standby financial guarantee pdf full pdf - Jun 01 2022

web apr 8 2023 those all we provide acceptable state standby financial guarantee pdf and numerous book collections from fictions to scientific research in any way along with them is this acceptable state standby financial guarantee pdf that can be your partner

read free acceptable state standby financial guarantee - Mar 30 2022

web acceptable state standby financial guarantee first class credit oct 24 2020 first class credit was written to help consumers understand the world of credit credit is not taught in our educational systems and can be a difficult subject to understand this book was written to provide

acceptable state standby financial guarantee download only - Feb 09 2023

web technology on letters of credit and other forms of trade finance and the rise of alternative forms of financing the book covers three key fields of trade finance starting with the challenges to traditional trade financing by means of documentary credit these include issues related to contractual enforceability the use

acceptable state standby financial guarantee - Mar 10 2023

web acceptable state standby financial guarantee 3 3 exchange rate mechanisms and better describes the regulatory framework for current and capital account transactions a free demo of a searchable html version of the report will be available online international banking and finance aspen publishing

garanti bankası havale eft para transferi Ücretleri ne kadar - Dec 07 2022

web garanti bankası havale ve eft para transferleri garanti bankasından garanti bankasına para transferinde ne kadar ücret alınır garanti bankasından başka bir bankaya para transfer eft ücreti ne kadardır gibi sorulara yazımızda cevap bulabilirsiniz

acceptable state standby financial guarantee pdf 2023 - Sep 04 2022

web to download and install the acceptable state standby financial guarantee pdf it is entirely simple then in the past currently we extend the link to purchase and make bargains to download and install acceptable state standby financial

guarantee pdf correspondingly simple iran united states claims arbitration sayyed khalil khalilian 2012

standby akreditifler kobİ yim türk ekonomi bankası - Aug 15 2023

web bir insurance standby sigorta teminat akreditifi amirin bir sigorta veya reasürans taahhüdünü güvence altına alır bir commercial standby ticari teminat akreditifi mallar veya hizmetler için diğer yöntemlerle ödeme yapmaması halinde amirin ödeme taahhüdünü güvence altına alır

standby guarantee definition law insider - Aug 03 2022

web standby guarantor means the financial institution providing the standby guarantee guarantees are normally used in performance contracts standby guarantee this is used for normal trade works like a guarantee

acceptable state standby financial guarantee sheetodo com - Apr 30 2022

web guarantee it is entirely simple then past currently we extend the colleague to purchase and create bargains to download and install acceptable state standby financial guarantee for that reason simple competitive export financing united states congress senate committee on banking housing and urban affairs subcommittee on

acceptable state standby financial guarantee pdf - Jan 28 2022

web acceptable state standby financial guarantee pdf pdf created date 6 26 2023 10 30 20 pm

american history pearson note study guide answers pdf 2023 - May 25 2022

web may 12 2023 this american history pearson note study guide answers pdf as one of the most in action sellers here will definitely be along with the best options to review give me liberty

american history pearson note study guide answers pdf - Apr 04 2023

web may 19 2023 american history pearson note study guide answers 3 10 downloaded from uniport edu ng on may 19 2023 by guest reconstruction the text can also be used for the first part of a two year american history course the american people thomas f jorsch 2005 11 30 study guide anthony esler 1999 10 26

american history pearson note study guide answers imgur - Jul 07 2023

web find rate and share the best memes and images discover the magic of the internet at imgur

ap u s history study notes - Aug 28 2022

web use these sample ap u s history essays to get ideas for your own ap essays these essays are examples of good ap level writing 100 free ap test prep website that offers study material to high school students seeking to prepare for ap exams enterprising students use this website to learn ap class material study for class quizzes and tests

history study guides sparknotes - Jun 06 2023

web history writing a paper on how europe came to be or what united the states we explain the revolutions wars and social movements that shaped american and european history

answer key chapter 1 u s history openstax - May 05 2023

web 5 7 9 it was known that the earth was round so columbus s plan seemed plausible the distance he would need to travel was not known however and he greatly underestimated the earth s circumference therefore he would have no way of recognizing when he had arrived at his destination 11

200 questions about american history set memoria press - Jun 25 2022

web jun 15 2016 grades 5 8 rated 5 00 out of 5 based on 1 customer rating 31 70 add to cart 200 questions about american history student sample 200 questions about american history teacher sample 200 questions about american history flashcards sample as a supplement to h a guerber s the story of the thirteen colonies the

ap u s history study guides cisd - Sep 28 2022

web i seven themes in u s history1 the seven themes listed below identify the essential content of the ap u s history course each theme contains big picture questions in which the answer to each question is open to interpretation every question on the ap exam will come from these seven themes and their big picture questions 1 identity id

pearson united states history textbook answers answers for - Jan 01 2023

web 12130 pearson education us history workbook answers pearson american history textbook answer key to find answers to pearson textbooks visit slader com select the textbook from a list on the screen or enter a 13 digit isbn number to find the exact pearson textbook required

united states history 1st edition solutions and answers quizlet - Sep 09 2023

web now with expert verified solutions from united states history 1st edition you ll learn how to solve your toughest homework problems our resource for united states history includes answers to chapter exercises as well as detailed information to walk you through the process step by step

american history pearson note study guide answers - Aug 08 2023

web history pearson note study guide answers as you such as by searching the title publisher or authors of guide you truly want you can discover them rapidly in the house workplace or perhaps in your method can be every best place within net connections if you ambition to download and install the american history pearson note study guide

[american history pearson note study guide answers pdf](#) - Nov 30 2022

web kupzok de american history pearson note study guide answers pearson american history note taking answers dealog de pearson american history note taking answerslearn social studies chapter 7 notes american history pearson with free interactive flashcards choose from 298 different sets of social studies chapter 7

[interactive reading and notetaking study guide adapted version](#) - Feb 02 2023

web mar 16 2023 created by an anonymous user imported from amazon com record interactive reading and notetaking

study guide adapted version america history of our nation by pearson prentice hall 2007 pearson prentice hall prentice hall brand prentice hall edition paperback in english 1st edition

american history pearson note study guide answers clint smith - Feb 19 2022

web kindly say the american history pearson note study guide answers is universally compatible with any devices to read exploring world history ray notgrass 2014 u s history p scott corbett 2017 12 19 published by openstax college u s history covers the breadth of the chronological history of the united states and also provides the

social studies american history reconstruction to the quizlet - Oct 10 2023

web textbook solutions verified chapter 1 prologue american beginnings section 1 the colonial era section 2 the american revolution section 3 a new nation section 4 economic and social changes section 5 westward expansion section 6 the civil war section 7 reconstruction page 2 spanish colonies page 2 english colonies page 3

american history pearson note study guide answers amoa - Jul 27 2022

web american history pearson note study guide answers 1 american history pearson note study guide answers the american nation created equal revel for visions of america a history of the united states volume one access card american journey the volume 1 books a la carte edition plus new myhistorylab for u s history

online library american history pearson note study guide answers - Apr 23 2022

web jun 14 2023 online library american history pearson note study guide free study guide answers book and literature notes apr 12 2023 web get homework help from novelguide com get free study guide answers book notes including complete summary analysis chapter analysis from all authors

american history pearson note study guide answers - Mar 23 2022

web sep 19 2023 history pearson note study guide answers welcome to the purdue git 02 infra openwrt org 1 50 university online writing lab owl inside real news curated by real self study course 2018 american heritage school premier faith based k git 02 infra openwrt org 15 50 12 utah april 30th 2018 educating hearts and

united states history reading and note taking study guide answer - Mar 03 2023

web jan 1 2000 united states history reading and note taking study guide answer key by pearson prentice hall goodreads jump to ratings and reviews want to read buy on amazon rate this book united states history reading and note taking study guide answer key pearson prentice hall 0 00 0 ratings0 reviews paperback published

american history summary and study guide supersummary - Oct 30 2022

web a modern alternative to sparknotes and cliffsnotes supersummary offers high quality study guides that feature detailed chapter summaries and analysis of major themes characters quotes and essay topics download pdf access full guide study guide

