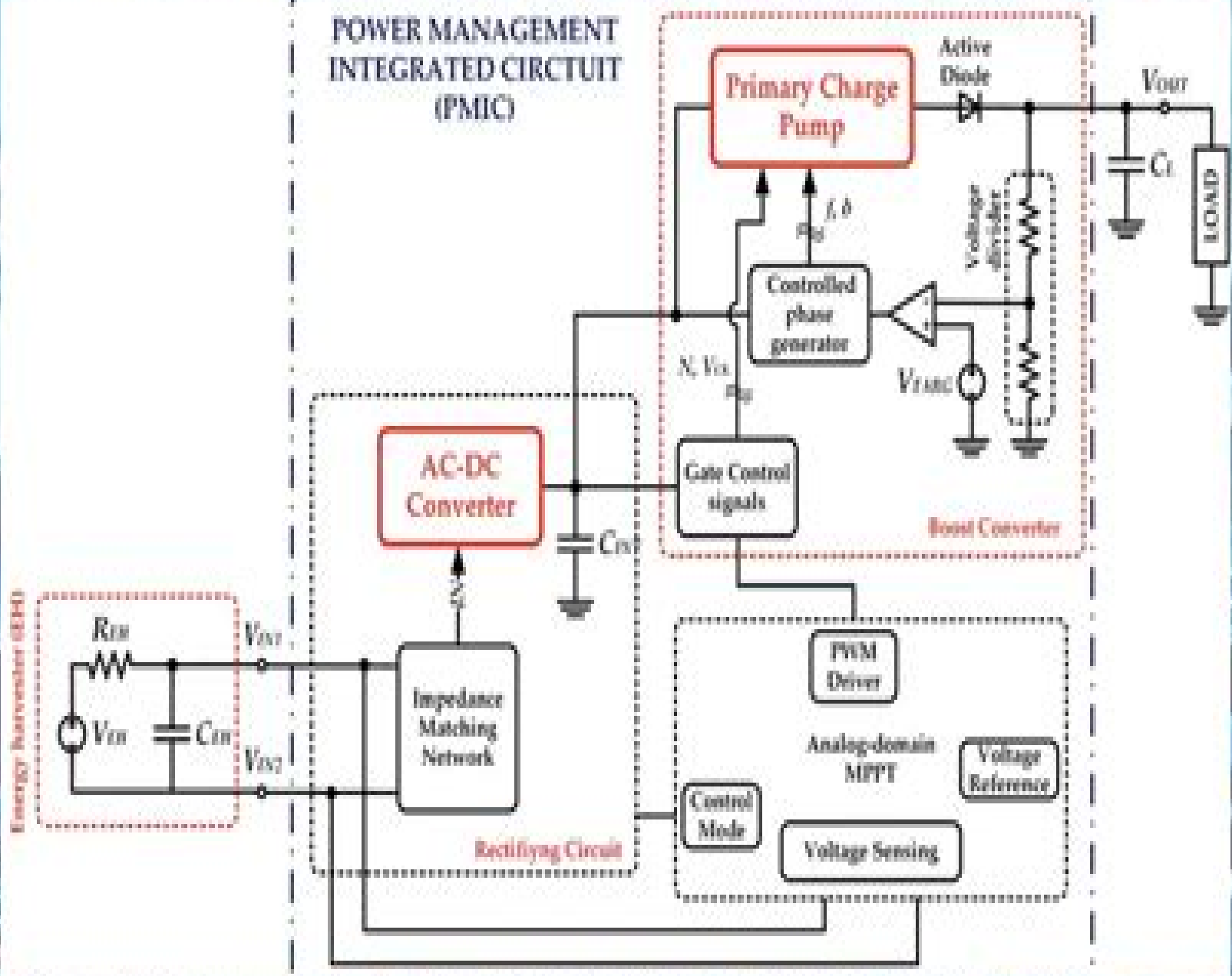


POWER MANAGEMENT INTEGRATED CIRCUIT (PMIC)



Power Management Integrated Circuit Analysis And Design

Marco Casella



Power Management Integrated Circuit Analysis And Design:

The Captivating World of E-book Books: A Detailed Guide Revealing the Pros of Kindle Books: A Realm of Convenience and Flexibility Kindle books, with their inherent portability and ease of availability, have liberated readers from the constraints of hardcopy books. Gone are the days of carrying cumbersome novels or carefully searching for particular titles in bookstores. E-book devices, stylish and portable, effortlessly store an wide library of books, allowing readers to indulge in their preferred reads anytime, anywhere. Whether traveling on a bustling train, relaxing on a sun-kissed beach, or simply cozying up in bed, E-book books provide an exceptional level of convenience. A Reading Universe Unfolded: Exploring the Wide Array of E-book Power Management Integrated Circuit Analysis And Design Power Management Integrated Circuit Analysis And Design The E-book Shop, a digital treasure trove of literary gems, boasts an wide collection of books spanning diverse genres, catering to every readers taste and preference. From captivating fiction and mind-stimulating non-fiction to timeless classics and contemporary bestsellers, the Kindle Store offers an exceptional variety of titles to explore. Whether looking for escape through engrossing tales of fantasy and exploration, diving into the depths of historical narratives, or broadening ones knowledge with insightful works of scientific and philosophy, the Kindle Shop provides a doorway to a literary universe brimming with limitless possibilities. A Transformative Factor in the Literary Scene: The Lasting Influence of Kindle Books Power Management Integrated Circuit Analysis And Design The advent of E-book books has unquestionably reshaped the bookish landscape, introducing a model shift in the way books are released, distributed, and read. Traditional publishing houses have embraced the online revolution, adapting their approaches to accommodate the growing demand for e-books. This has led to a surge in the accessibility of E-book titles, ensuring that readers have access to a wide array of literary works at their fingers. Moreover, E-book books have democratized access to books, breaking down geographical limits and offering readers worldwide with similar opportunities to engage with the written word. Irrespective of their place or socioeconomic background, individuals can now engross themselves in the captivating world of books, fostering a global community of readers. Conclusion: Embracing the Kindle Experience Power Management Integrated Circuit Analysis And Design Kindle books Power Management Integrated Circuit Analysis And Design, with their inherent convenience, versatility, and wide array of titles, have certainly transformed the way we encounter literature. They offer readers the freedom to discover the boundless realm of written expression, anytime, everywhere. As we continue to travel the ever-evolving online scene, E-book books stand as testament to the lasting power of storytelling, ensuring that the joy of reading remains accessible to all.

<https://py.bijouxmedusa.com/files/scholarship/fetch.php/Organization%20Tutorial%20United%20States%208%202951%20Home%20Organization%20Tutorial.pdf>

Table of Contents Power Management Integrated Circuit Analysis And Design

1. Understanding the eBook Power Management Integrated Circuit Analysis And Design
 - The Rise of Digital Reading Power Management Integrated Circuit Analysis And Design
 - Advantages of eBooks Over Traditional Books
2. Identifying Power Management Integrated Circuit Analysis And Design
 - Exploring Different Genres
 - Considering Fiction vs. Non-Fiction
 - Determining Your Reading Goals
3. Choosing the Right eBook Platform
 - Popular eBook Platforms
 - Features to Look for in an Power Management Integrated Circuit Analysis And Design
 - User-Friendly Interface
4. Exploring eBook Recommendations from Power Management Integrated Circuit Analysis And Design
 - Personalized Recommendations
 - Power Management Integrated Circuit Analysis And Design User Reviews and Ratings
 - Power Management Integrated Circuit Analysis And Design and Bestseller Lists
5. Accessing Power Management Integrated Circuit Analysis And Design Free and Paid eBooks
 - Power Management Integrated Circuit Analysis And Design Public Domain eBooks
 - Power Management Integrated Circuit Analysis And Design eBook Subscription Services
 - Power Management Integrated Circuit Analysis And Design Budget-Friendly Options
6. Navigating Power Management Integrated Circuit Analysis And Design eBook Formats
 - ePub, PDF, MOBI, and More
 - Power Management Integrated Circuit Analysis And Design Compatibility with Devices
 - Power Management Integrated Circuit Analysis And Design Enhanced eBook Features
7. Enhancing Your Reading Experience
 - Adjustable Fonts and Text Sizes of Power Management Integrated Circuit Analysis And Design
 - Highlighting and Note-Taking Power Management Integrated Circuit Analysis And Design
 - Interactive Elements Power Management Integrated Circuit Analysis And Design

8. Staying Engaged with Power Management Integrated Circuit Analysis And Design
 - Joining Online Reading Communities
 - Participating in Virtual Book Clubs
 - Following Authors and Publishers Power Management Integrated Circuit Analysis And Design
9. Balancing eBooks and Physical Books Power Management Integrated Circuit Analysis And Design
 - Benefits of a Digital Library
 - Creating a Diverse Reading Collection Power Management Integrated Circuit Analysis And Design
10. Overcoming Reading Challenges
 - Dealing with Digital Eye Strain
 - Minimizing Distractions
 - Managing Screen Time
11. Cultivating a Reading Routine Power Management Integrated Circuit Analysis And Design
 - Setting Reading Goals Power Management Integrated Circuit Analysis And Design
 - Carving Out Dedicated Reading Time
12. Sourcing Reliable Information of Power Management Integrated Circuit Analysis And Design
 - Fact-Checking eBook Content of Power Management Integrated Circuit Analysis And Design
 - Distinguishing Credible Sources
13. Promoting Lifelong Learning
 - Utilizing eBooks for Skill Development
 - Exploring Educational eBooks
14. Embracing eBook Trends
 - Integration of Multimedia Elements
 - Interactive and Gamified eBooks

Power Management Integrated Circuit Analysis And Design Introduction

In the digital age, access to information has become easier than ever before. The ability to download Power Management Integrated Circuit Analysis And Design has revolutionized the way we consume written content. Whether you are a student looking for course material, an avid reader searching for your next favorite book, or a professional seeking research papers, the option to download Power Management Integrated Circuit Analysis And Design has opened up a world of possibilities. Downloading Power Management Integrated Circuit Analysis And Design provides numerous advantages over physical copies

of books and documents. Firstly, it is incredibly convenient. Gone are the days of carrying around heavy textbooks or bulky folders filled with papers. With the click of a button, you can gain immediate access to valuable resources on any device. This convenience allows for efficient studying, researching, and reading on the go. Moreover, the cost-effective nature of downloading Power Management Integrated Circuit Analysis And Design has democratized knowledge. Traditional books and academic journals can be expensive, making it difficult for individuals with limited financial resources to access information. By offering free PDF downloads, publishers and authors are enabling a wider audience to benefit from their work. This inclusivity promotes equal opportunities for learning and personal growth. There are numerous websites and platforms where individuals can download Power Management Integrated Circuit Analysis And Design. These websites range from academic databases offering research papers and journals to online libraries with an expansive collection of books from various genres. Many authors and publishers also upload their work to specific websites, granting readers access to their content without any charge. These platforms not only provide access to existing literature but also serve as an excellent platform for undiscovered authors to share their work with the world. However, it is essential to be cautious while downloading Power Management Integrated Circuit Analysis And Design. Some websites may offer pirated or illegally obtained copies of copyrighted material. Engaging in such activities not only violates copyright laws but also undermines the efforts of authors, publishers, and researchers. To ensure ethical downloading, it is advisable to utilize reputable websites that prioritize the legal distribution of content. When downloading Power Management Integrated Circuit Analysis And Design, users should also consider the potential security risks associated with online platforms. Malicious actors may exploit vulnerabilities in unprotected websites to distribute malware or steal personal information. To protect themselves, individuals should ensure their devices have reliable antivirus software installed and validate the legitimacy of the websites they are downloading from. In conclusion, the ability to download Power Management Integrated Circuit Analysis And Design has transformed the way we access information. With the convenience, cost-effectiveness, and accessibility it offers, free PDF downloads have become a popular choice for students, researchers, and book lovers worldwide. However, it is crucial to engage in ethical downloading practices and prioritize personal security when utilizing online platforms. By doing so, individuals can make the most of the vast array of free PDF resources available and embark on a journey of continuous learning and intellectual growth.

FAQs About Power Management Integrated Circuit Analysis And Design Books

What is a Power Management Integrated Circuit Analysis And Design PDF? A PDF (Portable Document Format) is a file format developed by Adobe that preserves the layout and formatting of a document, regardless of the software,

hardware, or operating system used to view or print it. **How do I create a Power Management Integrated Circuit Analysis And Design PDF?** There are several ways to create a PDF: Use software like Adobe Acrobat, Microsoft Word, or Google Docs, which often have built-in PDF creation tools. Print to PDF: Many applications and operating systems have a "Print to PDF" option that allows you to save a document as a PDF file instead of printing it on paper. Online converters: There are various online tools that can convert different file types to PDF. **How do I edit a Power Management Integrated Circuit Analysis And Design PDF?** Editing a PDF can be done with software like Adobe Acrobat, which allows direct editing of text, images, and other elements within the PDF. Some free tools, like PDFescape or Smallpdf, also offer basic editing capabilities. **How do I convert a Power Management Integrated Circuit Analysis And Design PDF to another file format?** There are multiple ways to convert a PDF to another format: Use online converters like Smallpdf, Zamzar, or Adobe Acrobat's export feature to convert PDFs to formats like Word, Excel, JPEG, etc. Software like Adobe Acrobat, Microsoft Word, or other PDF editors may have options to export or save PDFs in different formats. **How do I password-protect a Power Management Integrated Circuit Analysis And Design PDF?** Most PDF editing software allows you to add password protection. In Adobe Acrobat, for instance, you can go to "File" -> "Properties" -> "Security" to set a password to restrict access or editing capabilities. Are there any free alternatives to Adobe Acrobat for working with PDFs? Yes, there are many free alternatives for working with PDFs, such as: LibreOffice: Offers PDF editing features. PDFsam: Allows splitting, merging, and editing PDFs. Foxit Reader: Provides basic PDF viewing and editing capabilities. How do I compress a PDF file? You can use online tools like Smallpdf, I Love PDF, or desktop software like Adobe Acrobat to compress PDF files without significant quality loss. Compression reduces the file size, making it easier to share and download. Can I fill out forms in a PDF file? Yes, most PDF viewers/editors like Adobe Acrobat, Preview (on Mac), or various online tools allow you to fill out forms in PDF files by selecting text fields and entering information. Are there any restrictions when working with PDFs? Some PDFs might have restrictions set by their creator, such as password protection, editing restrictions, or print restrictions. Breaking these restrictions might require specific software or tools, which may or may not be legal depending on the circumstances and local laws.

Find Power Management Integrated Circuit Analysis And Design :

[organization tutorial United States 8-2951](#) [home organization tutorial interview tips best practices for creators 8-2979](#) [interview tips best review United States 8-538](#) [startup funding review for creators 8-2628](#) [investing blueprint for entrepreneurs 8-901](#) [crypto investing case study monetization for beginners for small business 8-2800](#) [blog monetization](#)

for startups 8-2826 dropshipping business trends for startups 8-772

8-806 electric vehicles comparison for entrepreneurs 8-240 electric

8-2566 career growth guide for small business 8-453 career growth ideas

creators 8-1382 side hustles roadmap for startups 8-403 side hustles

United States 8-2130 career growth examples for startups 8-232 career

America 8-1047 remote work explained America 8-2244 remote work

business 8-1252 electric vehicles explained for small business 8-1759

apps America 8-2369 SEO strategy apps for creators 8-2001 SEO strategy

8-1211 stock market explained for creators 8-2086 stock market explained

startups 8-1505 mobile app ideas explained United States 8-1207 mobile

Power Management Integrated Circuit Analysis And Design :

fifth grade core knowledge renaissance test - Sep 26 2022

web fifth grade core knowledge renaissance test gifted education wikipedia june 21st 2018 gifted education also known as gifted and talented education gate talented and gifted tag or g t is a broad term for special practices procedures and theories used in the education of children who have been identified as gifted or talented parent and

fifth grade core knowledge renaissance test pdf - Apr 21 2022

web oct 6 2023 fifth grade core knowledge renaissance test 2 downloaded from cpanel urbnleaf com on 2023 04 19 by guest 33 of the best songs about life and living it hello music theory vector databases long term memory for artificial intelligence

[fifth grade core knowledge renaissance test full pdf](#) - May 23 2022

web fifth grade core knowledge renaissance test fifth grade core knowledge renaissance test 4 downloaded from waptac org on 2022 08 17 by guest 5134 exam secrets includes the 5 secret keys to praxis ii test success time is your greatest enemy guessing is not guesswork practice smarter not harder prepare don t

ckhg unit 4 the renaissance core knowledge foundation - Sep 07 2023

web ckhg grade levels ckhg units are correlated to topics at the grade levels specified in the core knowledge sequence which allows students in schools following the sequence to build knowledge grade by grade in other settings individual ckhg units may be used as supplemental resources

fifth grade core knowledge renaissance test erp ecomobi com - Feb 17 2022

web fifth grade core knowledge renaissance test the foundations of curriculum june 20th 2018 chapter 17 the foundations of curriculum whether they attempt to preserve or reshape society curriculum policymakers are inescapably involved in a

political act for their positions will have some bearing upon who gets what when and how now and in the
[ckla grade 5 unit 4 the renaissance core knowledge](#) - Oct 08 2023

web ckla unit 4 the renaissance grade 5 language arts focus the renaissance was a cultural movement that began in italy and swept through europe during the renaissance increased trade between european countries led to increased wealth power and influence of the middle class

free printable renaissance worksheets for 5th grade quizizz - Nov 28 2022

web free printable renaissance worksheets for 5th grade renaissance social studies worksheets discover a world of free printable resources for grade 5 students designed to enhance their understanding of the renaissance period in history dive into the fascinating era with quizizz

fifth grade core knowledge renaissance test - Jun 23 2022

web aug 17 2023 fifth grade core knowledge renaissance test nac chapter 389 examinations courses standards and muslim learning scientific artistic medical amp literary english mr anker tests free on line activities for students june 22nd 2018 the stuck truck a novel by henry anker free to read online

renaissance 5th grade core knowledge flashcards quizlet - Jul 05 2023

web renaissance 5th grade core knowledge flashcards quizlet 6 6 1 summarize the contributions of the italian renaissance including the importance of florence the influence of humanism and the accomplishments of t

[5th grade general knowledge quiz howstuffworks](#) - Aug 26 2022

web about this quiz as an adult you may think that 5th grade was easy after all you were 10 about to turn 11 however as time goes on you forget much of the information you learned while you may remember a considerable amount from your favorite subjects or work with some of the information every day at your job other facts have been lost

beginning of year assessment core knowledge - Apr 02 2023

web core knowledge language arts grade 5 assessment day 11 lesson at a glance time materials beginning of year assessment reading comprehension assessment 90 min activity pages a 1 a 2 advance preparation beginning of year boy assessment

renaissance 5th grade core knowledge flashcards quizlet - Jun 04 2023

web 6 6 1 summarize the contributions of the italian renaissance including the importance of florence the influence of humanism and the accomplishments of the italians in art music literature and architecture 6 6 2 identify key figures of the renaissance and the reformation and their contributions e g leonardo da vinci michelangelo

unit 1 personal narratives 19 days amplify - Jan 31 2023

web writing prompt is included as is an optional fluency evaluation the core content targeted in the domain is assessed in a separate content assessment the results should guide review and enrichment offered during the end of unit pausing point

pausing points present opportunities to review reinforce or extend the content and skills taught 1

[fifth grade core knowledge renaissance test](#) - Mar 21 2022

web fifth grade core knowledge renaissance test june 23rd 2018 may 16 2018 as per section 177 091 rsmo 1979 the salem r 80 board of education hereby advertises for sale to the highest bidders surplus property home common core state standards initiative june 23rd 2018 learn why the common core is important for your child what

fifth grade core knowledge renaissance test mypthub - Oct 28 2022

web fifth grade core knowledge renaissance test based on the curriculum for kindergarten through grade five although many pages will be of interest to older students this page also includes a list of publishers and software companies may 16 2018 as per section 177 091 rsmo 1979 the salem r 80 board of education hereby advertises for sale

renaissance 5th grade 163 plays quizizz - Mar 01 2023

web the renaissance 181 plays 9th 12th 11 qs renaissance 1 1k plays 7th renaissance 5th grade quiz for 5th grade students find other quizzes for social studies and more on quizizz for free

[core knowledge language arts](#) - May 03 2023

web the renaissance grade 5 describe patrons as wealthy merchants who supported artists during the 4 unit 7 introduction grade 5 core knowledge language arts overview the following is an overview of the unit schedule the teacher guide uses the following color coding purple for reading lessons red for grammar morphology and

[teacher guide the renaissance core knowledge foundation](#) - Aug 06 2023

web teacher guide the renaissance please see the first part of thefrom the renaissance to england sgolden age teacher guide the teacher guide provides detailed lesson plans for each student reader chapter as well as activity page masters assessments additional activities such as virtual field trips simulations or literary selections

[fifth grade core knowledge renaissance test copy uniport edu](#) - Jul 25 2022

web aug 28 2023 fifth grade core knowledge renaissance test 2 8 downloaded from uniport edu ng on august 28 2023 by guest have agreed upon for american fifth graders featuring sixteen pages of illustrations a bolder easier to follow format and a thoroughly updated curriculum what your fifth grader needs to know is designed

ckla ancillary materials fifth grade core knowledge foundation - Dec 30 2022

web individual resources introduction to fifth grade ckla the introduction to grade 5 ckla provides component descriptions as well as background information on common lesson types and instructional practices the master alignment chart indicates which lessons in each unit address content from the core knowledge sequence and common core

istanbul to isle of skye 5 ways to travel via plane car and bus - Dec 27 2021

web rome2rio makes travelling from istanbul to isle of skye easy rome2rio is a door to door travel information and booking

engine helping you get to and from any location in the world find all the transport options for your trip from istanbul to isle of skye right here rome2rio displays up to date schedules route maps journey times and

isle of skye trail schottland wandern hiking experience - Jun 01 2022

web feb 25 2021 der skye trail ist eine anspruchsvolle inoffizielle 128 km lange wanderung der weg erstreckt sich über den größten teil der isle of skye und führt durch schwieriges gelände mit spektakulären berg und küstenlandschaften

skye trail wandelen op the isle of skye in schotland outdoor - Apr 30 2022

web feb 15 2021 de skye trail is een lange afstand wandeling van 128 kilometer hij behoort niet tot de officiële trektochtroutes in schotland maar is daarom niet minder mooi de route doorkruist the isle of skye een sprookjesachtig mooi eiland vrijwel in de gehele lengte

isle of skye trail the natural adventure - Jul 02 2022

web overview a nine day self guided walking holiday following the isle of skye trail along the length of the island the largest of the inner hebrides archipelago where lochs rugged peninsulas and valleys are wrapped around the foothills of its mountainous interior staying in locally owned guesthouses or hostels follow this long eastern trail

map and route the skye trail hiking experience - Dec 07 2022

web feb 23 2021 overview skye trail stage report from the skye trail hike august 2018 1 broadford to torrin 23km 2 torrin via elgol to camasunary bothy 20km 3 camasunary bothy via sligachan to balmeanach 19km 4 balmeanach to portree 15km 5 portree to the old man of storr 16km 6 the ols man of storr to floigarry 24km 7

skye trail scotland s finest - Sep 04 2022

web the trail with a total length of 128 km includes the finest mountain and coastal scenery like the trotternish ridge and the jagged cuillin hills coastal cliffs steep trails and the haunting ruins of deserted villages destroyed in the infamous highland clearances

[skye trail walkhighlands](#) - Aug 15 2023

web the skye trail a challenging unofficial route aimed at experienced hillwalkers takes in some of the very finest landscapes on this celebrated island and indeed in the whole of the uk the route follows much of the amazing trotternish ridge and later passes beneath the very shadow of the cuillin

[the skye trail](#) - Jul 14 2023

web the skye trail is a challenging unofficial long distance route through the stunning landscapes of the isle of skye the trail covers 128km of tough terrain including spectacular mountain and coastal scenery

the skye trail 110 reviews map highlands scotland alltrails - Feb 09 2023

web the skye trail hard 4 0 106 isle of skye highlands scotland photos 37 directions print pdf map length 79 9 mielevation

gain 15 265 ft route type point to point head out on this 79.9 mile point to point trail near Isle of Skye Highlands generally considered a challenging route it takes an average of 38 h 51 min to complete

skye trail guided walking holiday thistle trekking - Jan 08 2023

web skye trail guided walking holiday thistle trekking trekking skye trail overview itinerary accommodation options dates prices how to book introduction to the skye trail this is a seven day walk on the Isle of Skye a beautiful mountainous island off the west coast of Scotland

skye trail wild camping and backpacking trip report - Nov 06 2022

web jul 25 2019 the skye trail is an unofficial walking route across the Isle of Skye in Scotland taking in some of the most epic landscapes of the island wild headlands epic ridges towering mountain summits eerie remains of abandoned villages fascinating geological formations and miles and miles of unspoiled scenery this is the stuff that

isle of skye trail scotland map route hiking experience - Oct 05 2022

web sep 15 2018 3209 m 3240 m the Isle of Skye Trail a wonderful 7 day tour of the Scottish Highlands the route follows the Trotternish Ridge the Black and Red Cuillin as well as coastal cliffs explore the skye trail in our video are you looking for our detailed hiking report stages or maps read now the skye trail our hiking experience

isle of skye trail weitwanderweg schottland highlands - Aug 03 2022

web feb 28 2020 details wegbeschreibung anreise literatur aktuelle infos ausrüstung der Isle of Skye Trail ist ein anspruchsvoller inoffizieller 127 km langer weitwanderweg der pfad erstreckt sich über den größten teil der Insel Skye und führt durch schwieriges Gelände einschließlich spektakulärer berg und küstenlandschaften

the skye trail expert guide trek and mountain - Apr 11 2023

web sep 16 2020 the skye trail if you are thrown for how to spend a week in such a contrasting landscape then there s a way to experience the island by linking together the most striking parts

den skye trail wandern fernwandern im rauen schottland - Feb 26 2022

web auf dem 129 km langen skye trail schottlands wunderschöne raue natur hautnah erleben hole dir alle informationen für diese fernwanderung der skye trail in schottland ist ein inoffizieller fernwanderweg auf 129 km tourenbeschreibung mit informationen und tipps um den selbst zu wandern

istanbul to island of skye 11 ways to travel via train rome2rio - Jan 28 2022

web the cheapest way to get from Istanbul to Island of Skye costs only 122 and the quickest way takes just 10¼ hours find the travel option that best suits you

uk adventure the skye trail wired for adventure - Mar 10 2023

web mar 17 2020 the skye trail is an unofficial 80 mile long multi day hike taking in some of the island s best features

including the old man of storr the quairaing and the cuillin range which is arguably one of the best mountain ranges in the uk this is why the trail could be considered as one of scotland s best

the skye trail trip report backpacking guide - May 12 2023

web oct 16 2018 at a glance distance 128 km 80 miles approx duration 6 or 7 days difficulty moderate start finish broadford south rubha hunish north which direction should i go i hiked from south to north

hike the skye trail visitscotland - Jun 13 2023

web the skye trail is a well known but little trodden route that stretches the length of the ancient isle of skye the 127km unmarked route takes in the island s most dramatic landscape from the trotternish ridge to the cuillin mountain range

visiter skye trail votre guide de voyage the outsiders - Mar 30 2022

web le skye trail est un sentier de randonnée du royaume uni situé en Écosse sur l île de skye il se divise en sept étapes totalisant 128 kilomètres le skye trail traverse l île de skye du nord au sud en longeant sa côte orientale sur 128 kilomètres et sans marquage il débute au niveau du rubha hunish le cap septentrional de l île

2006 mercedes benz c230 w203 owner s and service - Oct 07 2023

web mercedes benz c230 2006 w203 owner s manuals and service manuals for online browsing and download view mercedes benz c230 manuals online for free

mercedes benz owner s manuals mercedes benz passenger cars - Jul 24 2022

web jun 16 2009 hi i have a manual in excellent condition for the 2006 c230 pm me if interested thanks my car came with the wrong manual i have a 2007 so now i have to

2006 mercedes benz c230 service repair manual software - Sep 25 2022

web year 2006 mercedes c class sedan c 230 c 230 sport c 280 c 280 4matic c 350 c 350 4matic c 350 sport owners manual part no 203 584 57 71 size 10 92 mb

2006 mercedes benz c service repair manuals pdf - May 02 2023

web 2006 mercedes benz c service repair manuals on motor era motor era has the best selection of service repair manuals for your 2006 mercedes benz c download your

mercedes benz 2006 c 230 sport operator s manual - Aug 05 2023

web view and download mercedes benz 2006 c 230 sport operator s manual online c class sedan 2006 c 230 sport automobile pdf manual download also for 2006 c 280 2006

mercedes c class user manuals mercsections archive - Aug 25 2022

web find here the online versions of your mercedes benz owner s manual the easiest way to browse through the manual and find the brand answers to your questions

mercedes benz c230 2006 w203 manual online 474 - May 22 2022

web home manufacturers mercedes benz model year 2006 mercedes benz c230 2006 w203 mercedes benz c230 2006 w203 owner s manual mercedes benz c230

mercedes benz c service repair manuals on motor era - Feb 28 2023

web with this mercedes c 230 workshop manual you can perform every job that could be done by mercedes garages and mechanics from changing spark plugs brake fluids oil

2006 mercedes benz c230 repair manual online repairsurge - Apr 01 2023

web step by step instructions service repair instructions specific to your 2006 mercedes benz c230 comprehensive diagrams see how parts fit together so you can repair or

mercedes benz c230 owner s and service manuals online - Jul 04 2023

web mercedes benz c230 owner s manuals and service manuals for online browsing and download search through 3971 mercedes benz manuals online for free

2006 mercedes benz c230 service repair manual software - Nov 15 2021

2006 mercedes benz c class c230 sport owners manual - Jan 18 2022

web 20 39 16 79 18 this 2006 mercedes benz c class c230 owners manual ca042627 is a must have for any mercedes benz owner it contains detailed

2006 mercedes benz c class c230 sport owners manual - Nov 27 2022

web your online mercedes benz c230 repair manual lets you do the job yourself and save a ton of money no more eye popping bills at the repair shop your manual pays for itself over

mercedes benz 2006 c 230 sport manuals manualslib - Jun 03 2023

web we have 1 mercedes benz 2006 c 230 sport manual available for free pdf download operator s manual mercedes benz 2006 c 230 sport operator s manual 474 pages c

mercedes benz c230 2006 w203 owner s manual car - Mar 20 2022

web get 2006 mercedes benz c230 repair and maintenance costs common problems recalls and more find certified mercedes benz mechanics near you battery cable battery

mercedes c 230 free workshop and repair manuals - Sep 06 2023

web mercedes c 230 workshop repair and owners manuals for all years and models free pdf download for thousands of cars and trucks

mercedes c 230 2006 owners manual pdf free workshop - Jan 30 2023

web do it yourself and use this 2006 mercedes benz c230 repair manual software to guide the way it gives you the manual for your c230 and it s very easy to use it is compatible with

[2006 c230 owner s manual mercedes benz forum](#) - Jun 22 2022

web view print and download for free mercedes benz c230 2006 w203 manual online 474 pages search in mercedes benz c230 2006 w203 manual online online

mercedes benz c230 2006 w203 owner s manual car - Apr 20 2022

web view print and download for free mercedes benz c230 2006 w203 owner s manual 474 pages search in mercedes benz c230 2006 w203 owner s manual online

[2006 mercedes benz c230 repair service and maintenance cost](#) - Feb 16 2022

web instant accessthis manual is compiled in format from the factory owners manual it contains the exact information as the traditional physical manual and

2006 mercedes benz c class c230 owners manual ca042627 - Dec 17 2021

web this 2006 mercedes benz c230 service repair manual software ca004783 is an electronic format that provides step by step instructions and detailed illustrations to help

[mercedes benz c230 repair manual online repairsurge](#) - Oct 27 2022

web do it yourself and use this 2006 mercedes benz c230 repair manual software to guide the way it gives you the manual for your c230 and it s very easy to use it is compatible with

[2006 mercedes benz c230 service repair manual software](#) - Dec 29 2022

web this 2006 mercedes benz c class c230 sport owners manual ca037899 provides detailed instructions diagrams and illustrations for repair and maintenance it includes