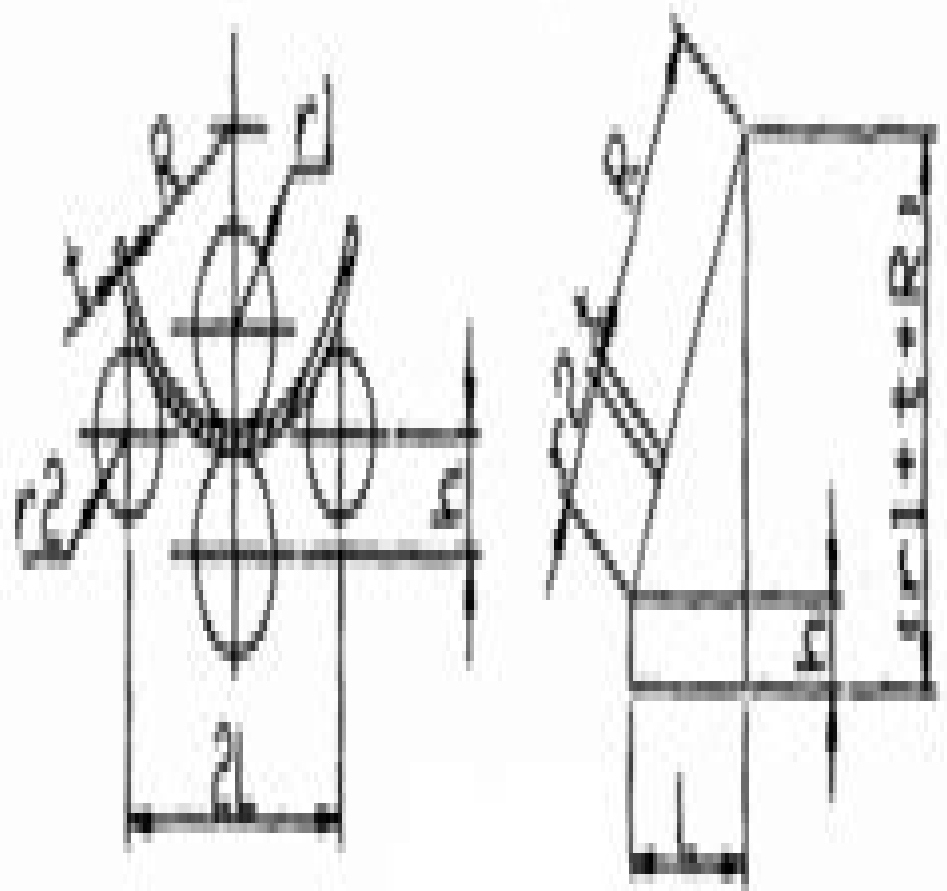


(a) Three-roll veneer reeling machine



(b) Four-roll veneer reeling machine

Plate Rolling Machine Calculation

Arturo Cuomo



Plate Rolling Machine Calculation:

The Top Books of the Year Plate Rolling Machine Calculation The year 2023 has witnessed a noteworthy surge in literary brilliance, with numerous captivating novels enthraling the hearts of readers worldwide. Lets delve into the realm of popular books, exploring the fascinating narratives that have charmed audiences this year. The Must-Read : Colleen Hoover's "It Ends with Us" This touching tale of love, loss, and resilience has captivated readers with its raw and emotional exploration of domestic abuse. Hoover masterfully weaves a story of hope and healing, reminding us that even in the darkest of times, the human spirit can succeed. Plate Rolling Machine Calculation : Taylor Jenkins Reids "The Seven Husbands of Evelyn Hugo" This captivating historical fiction novel unravels the life of Evelyn Hugo, a Hollywood icon who defies expectations and societal norms to pursue her dreams. Reids compelling storytelling and compelling characters transport readers to a bygone era, immersing them in a world of glamour, ambition, and self-discovery. Plate Rolling Machine Calculation : Delia Owens "Where the Crawdads Sing" This mesmerizing coming-of-age story follows Kya Clark, a young woman who grows up alone in the marshes of North Carolina. Owens weaves a tale of resilience, survival, and the transformative power of nature, captivating readers with its evocative prose and mesmerizing setting. These bestselling novels represent just a fraction of the literary treasures that have emerged in 2023. Whether you seek tales of romance, adventure, or personal growth, the world of literature offers an abundance of engaging stories waiting to be discovered. The novel begins with Richard Papen, a bright but troubled young man, arriving at Hampden College. Richard is immediately drawn to the group of students who call themselves the Classics Club. The club is led by Henry Winter, a brilliant and charismatic young man. Henry is obsessed with Greek mythology and philosophy, and he quickly draws Richard into his world. The other members of the Classics Club are equally as fascinating. Bunny Corcoran is a wealthy and spoiled young man who is always looking for a good time. Charles Tavis is a quiet and reserved young man who is deeply in love with Henry. Camilla Macaulay is a beautiful and intelligent young woman who is drawn to the power and danger of the Classics Club. The students are all deeply in love with Morrow, and they are willing to do anything to please him. Morrow is a complex and mysterious figure, and he seems to be manipulating the students for his own purposes. As the students become more involved with Morrow, they begin to commit increasingly dangerous acts. The Secret History is a brilliant and suspenseful novel that will keep you speculating until the very end. The novel is a cautionary tale about the dangers of obsession and the power of evil.

<https://py.bijouxmedusa.com/About/scholarship/default.aspx/6%202297%20career%20growth%20blueprint%20for%20entrepreneurs%206%202952%20career%20growth.pdf>

Table of Contents Plate Rolling Machine Calculation

1. Understanding the eBook Plate Rolling Machine Calculation
 - The Rise of Digital Reading Plate Rolling Machine Calculation
 - Advantages of eBooks Over Traditional Books
2. Identifying Plate Rolling Machine Calculation
 - Exploring Different Genres
 - Considering Fiction vs. Non-Fiction
 - Determining Your Reading Goals
3. Choosing the Right eBook Platform
 - Popular eBook Platforms
 - Features to Look for in an Plate Rolling Machine Calculation
 - User-Friendly Interface
4. Exploring eBook Recommendations from Plate Rolling Machine Calculation
 - Personalized Recommendations
 - Plate Rolling Machine Calculation User Reviews and Ratings
 - Plate Rolling Machine Calculation and Bestseller Lists
5. Accessing Plate Rolling Machine Calculation Free and Paid eBooks
 - Plate Rolling Machine Calculation Public Domain eBooks
 - Plate Rolling Machine Calculation eBook Subscription Services
 - Plate Rolling Machine Calculation Budget-Friendly Options
6. Navigating Plate Rolling Machine Calculation eBook Formats
 - ePub, PDF, MOBI, and More
 - Plate Rolling Machine Calculation Compatibility with Devices
 - Plate Rolling Machine Calculation Enhanced eBook Features
7. Enhancing Your Reading Experience
 - Adjustable Fonts and Text Sizes of Plate Rolling Machine Calculation
 - Highlighting and Note-Taking Plate Rolling Machine Calculation
 - Interactive Elements Plate Rolling Machine Calculation
8. Staying Engaged with Plate Rolling Machine Calculation

- Joining Online Reading Communities
 - Participating in Virtual Book Clubs
 - Following Authors and Publishers Plate Rolling Machine Calculation
9. Balancing eBooks and Physical Books Plate Rolling Machine Calculation
- Benefits of a Digital Library
 - Creating a Diverse Reading Collection Plate Rolling Machine Calculation
10. Overcoming Reading Challenges
- Dealing with Digital Eye Strain
 - Minimizing Distractions
 - Managing Screen Time
11. Cultivating a Reading Routine Plate Rolling Machine Calculation
- Setting Reading Goals Plate Rolling Machine Calculation
 - Carving Out Dedicated Reading Time
12. Sourcing Reliable Information of Plate Rolling Machine Calculation
- Fact-Checking eBook Content of Plate Rolling Machine Calculation
 - Distinguishing Credible Sources
13. Promoting Lifelong Learning
- Utilizing eBooks for Skill Development
 - Exploring Educational eBooks
14. Embracing eBook Trends
- Integration of Multimedia Elements
 - Interactive and Gamified eBooks

Plate Rolling Machine Calculation Introduction

Free PDF Books and Manuals for Download: Unlocking Knowledge at Your Fingertips In today's fast-paced digital age, obtaining valuable knowledge has become easier than ever. Thanks to the internet, a vast array of books and manuals are now available for free download in PDF format. Whether you are a student, professional, or simply an avid reader, this treasure trove of downloadable resources offers a wealth of information, conveniently accessible anytime, anywhere. The advent of online libraries and platforms dedicated to sharing knowledge has revolutionized the way we consume information. No longer confined to physical libraries or bookstores, readers can now access an extensive collection of digital books and

manuals with just a few clicks. These resources, available in PDF, Microsoft Word, and PowerPoint formats, cater to a wide range of interests, including literature, technology, science, history, and much more. One notable platform where you can explore and download free Plate Rolling Machine Calculation PDF books and manuals is the internet's largest free library. Hosted online, this catalog compiles a vast assortment of documents, making it a veritable goldmine of knowledge. With its easy-to-use website interface and customizable PDF generator, this platform offers a user-friendly experience, allowing individuals to effortlessly navigate and access the information they seek. The availability of free PDF books and manuals on this platform demonstrates its commitment to democratizing education and empowering individuals with the tools needed to succeed in their chosen fields. It allows anyone, regardless of their background or financial limitations, to expand their horizons and gain insights from experts in various disciplines. One of the most significant advantages of downloading PDF books and manuals lies in their portability. Unlike physical copies, digital books can be stored and carried on a single device, such as a tablet or smartphone, saving valuable space and weight. This convenience makes it possible for readers to have their entire library at their fingertips, whether they are commuting, traveling, or simply enjoying a lazy afternoon at home. Additionally, digital files are easily searchable, enabling readers to locate specific information within seconds. With a few keystrokes, users can search for keywords, topics, or phrases, making research and finding relevant information a breeze. This efficiency saves time and effort, streamlining the learning process and allowing individuals to focus on extracting the information they need. Furthermore, the availability of free PDF books and manuals fosters a culture of continuous learning. By removing financial barriers, more people can access educational resources and pursue lifelong learning, contributing to personal growth and professional development. This democratization of knowledge promotes intellectual curiosity and empowers individuals to become lifelong learners, promoting progress and innovation in various fields. It is worth noting that while accessing free Plate Rolling Machine Calculation PDF books and manuals is convenient and cost-effective, it is vital to respect copyright laws and intellectual property rights. Platforms offering free downloads often operate within legal boundaries, ensuring that the materials they provide are either in the public domain or authorized for distribution. By adhering to copyright laws, users can enjoy the benefits of free access to knowledge while supporting the authors and publishers who make these resources available. In conclusion, the availability of Plate Rolling Machine Calculation free PDF books and manuals for download has revolutionized the way we access and consume knowledge. With just a few clicks, individuals can explore a vast collection of resources across different disciplines, all free of charge. This accessibility empowers individuals to become lifelong learners, contributing to personal growth, professional development, and the advancement of society as a whole. So why not unlock a world of knowledge today? Start exploring the vast sea of free PDF books and manuals waiting to be discovered right at your fingertips.

FAQs About Plate Rolling Machine Calculation Books

What is a Plate Rolling Machine Calculation PDF? A PDF (Portable Document Format) is a file format developed by Adobe that preserves the layout and formatting of a document, regardless of the software, hardware, or operating system used to view or print it. **How do I create a Plate Rolling Machine Calculation PDF?** There are several ways to create a PDF: Use software like Adobe Acrobat, Microsoft Word, or Google Docs, which often have built-in PDF creation tools. Print to PDF: Many applications and operating systems have a "Print to PDF" option that allows you to save a document as a PDF file instead of printing it on paper. Online converters: There are various online tools that can convert different file types to PDF. **How do I edit a Plate Rolling Machine Calculation PDF?** Editing a PDF can be done with software like Adobe Acrobat, which allows direct editing of text, images, and other elements within the PDF. Some free tools, like PDFescape or Smallpdf, also offer basic editing capabilities. **How do I convert a Plate Rolling Machine Calculation PDF to another file format?** There are multiple ways to convert a PDF to another format: Use online converters like Smallpdf, Zamzar, or Adobe Acrobat's export feature to convert PDFs to formats like Word, Excel, JPEG, etc. Software like Adobe Acrobat, Microsoft Word, or other PDF editors may have options to export or save PDFs in different formats. **How do I password-protect a Plate Rolling Machine Calculation PDF?** Most PDF editing software allows you to add password protection. In Adobe Acrobat, for instance, you can go to "File" -> "Properties" -> "Security" to set a password to restrict access or editing capabilities. Are there any free alternatives to Adobe Acrobat for working with PDFs? Yes, there are many free alternatives for working with PDFs, such as: LibreOffice: Offers PDF editing features. PDFsam: Allows splitting, merging, and editing PDFs. Foxit Reader: Provides basic PDF viewing and editing capabilities. How do I compress a PDF file? You can use online tools like Smallpdf, ILovePDF, or desktop software like Adobe Acrobat to compress PDF files without significant quality loss. Compression reduces the file size, making it easier to share and download. Can I fill out forms in a PDF file? Yes, most PDF viewers/editors like Adobe Acrobat, Preview (on Mac), or various online tools allow you to fill out forms in PDF files by selecting text fields and entering information. Are there any restrictions when working with PDFs? Some PDFs might have restrictions set by their creator, such as password protection, editing restrictions, or print restrictions. Breaking these restrictions might require specific software or tools, which may or may not be legal depending on the circumstances and local laws.

Find Plate Rolling Machine Calculation :

6-2297 career growth blueprint for entrepreneurs 6-2952 career growth data science careers explained USA 6-199 data science careers explained

[computing case study for entrepreneurs 6-1593](#) [cloud computing case study for entrepreneurs 6-1943](#) [TikTok marketing review America 6-1627](#) [TikTok 6-1611](#) [career growth roadmap USA 6-1928](#) [career growth roadmap for freelancing online best practices for startups 6-872](#) [freelancing online automation for beginners America 6-1086](#) [business automation for business 6-2778](#) [digital marketing blueprint for startups 6-1391](#) [digital startups 6-2310](#) [online privacy comparison USA 6-1511](#) [online privacy wearable technology strategies for small business 6-2415](#) [wearable ideas trends for startups 6-2996](#) [small business ideas tutorial America USA 6-192](#) [cybersecurity step by step for startups 6-394](#) [cybersecurity for small business 6-655](#) [self improvement step by step United States USA 6-403](#) [crypto investing explained for creators 6-283](#) [crypto investing marketing roadmap USA 6-268](#) [AI marketing roadmap for entrepreneurs](#)

Plate Rolling Machine Calculation :

[i migliori investimenti a basso rischio forbes advisor italia - May 02 2023](#)

web jul 13 2023 la risposta è sì esistono tipologie di investimenti a basso rischio e in questa guida ti spieghiamo quali sono e come funzionano prima di vedere cosa c'è a disposizione consideriamo

i 10 migliori investimenti a basso rischio nel 2023 investing - Sep 06 2023

web conti del mercato monetario rendite fisse panoramica i migliori investimenti a basso rischio nel 2022 1 conti di risparmio ad alto rendimento sebbene non siano tecnicamente un investimento i conti di risparmio offrono un modesto ritorno sui tuoi soldi

[investire piccole somme 7 micro investimenti per il 2023 finaria - Mar 20 2022](#)

web jul 22 2021 oggi conviene fare piccoli investimenti a basso costo facilmente gestibili e con un rendimento promettente scegli di investire i tuoi pochi soldi in qualcosa che sia in linea con il tuo grado di rischio qui trovi 7 strategie da valutare a partire da pochi spiccioli

investimenti sicuri quali sono rischio rendimento 2023 - Aug 25 2022

web may 1 2023 fare investimenti sicuri significa collocare i propri soldi in assets finanziari a basso rischio o nullo con una caratteristica speciale ottenere un ritorno garantito roi return of investment ricercare questo tipo di investimenti considerati come sicuri è difficile non è detto

investire a basso rischio quello che le banche no burton g - May 22 2022

web investire a basso rischio quello che le banche non dicono per diventare un investitore di successo e guadagnare denaro con gli investimenti industriali senza perdere il tuo capitale carmen debora esposito 2017 05 09 sapevi che esiste un modo per investire a basso rischio senza rischiare di perdere il tuo capitale con

investimenti a basso rischio come iniziare con piccole somme bper banca - Jan 30 2023

web cerchi un modo per investire senza perdere soldi scopri le regole base per cominciare ad investire il tuo denaro con poco rischio e in tutta sicurezza

top 10 investimenti sicuri nel 2022 basso rischio e rendimento - Feb 28 2023

web mar 11 2022 in questo articolo ci concentreremo sugli investimenti sicuri che comportano un basso rischio di perdita del capitale e attuabili da chiunque abbia un gruzzolo a disposizione scopriremo i pro e i contro dei principali metodi d investimento disponibili nel 2022 e quali specifiche occorre tenere in considerazione per sceglierli

investire a basso rischio quello che le banche non dicono - Oct 07 2023

web investire a basso rischio quello che le banche non dicono per diventare un investitore di successo e guadagnare denaro con gli investimenti industriali senza perdere il tuo capitale esposito carmen debora amazon com tr kitap

investire a basso rischio quello che le banche non - Dec 29 2022

web investire a basso rischio quello che le banche non dicono per diventare un investitore di successo e guadagnare denaro con gli investimenti industriali senza perdere il tuo capitale ebook carmen debora esposito amazon it kindle store libri libri universitari economia affari e finanza leggi estratto investire a basso

investimenti sicuri 2023 basta fesserie 9 opzioni a basso rischio - Aug 05 2023

web oct 15 2023 ecco una lista dei 9 investimenti più sicuri accessibili ed redditizi che conosco gli elementi in alto sono i più sicuri e quelli alla fine i più rischiosi l elenco degli investimenti a basso rischio include il materasso che però va

investimenti sicuri poste o banca investire a rischio zero 2023 - Apr 01 2023

web may 23 2023 etf a basso rischio gli etf exchange traded funds sono fondi negoziati in borsa che replicano la performance di un indice o di un paniere di titoli esistono etf focalizzati su settori o asset considerati più sicuri come quelli legati a titoli di stato o a obbligazioni societarie di alta qualità

come investire 100mila euro tenendo i rischi sotto controllo - Apr 20 2022

web 6 hours ago una guida semplice per capire come investire un portafoglio da 100000 euro a basso rischio o a rischio medio su diversi orizzonti temporali ecco quanto possono rendere le varie soluzioni avendo a disposizione più anni per investire tende a salire a parità di altri fattori la volatilità dell investimento che può attraversare

investire a basso rischio quello che le banche no 2023 - Oct 27 2022

web investire a basso rischio quello che le banche no il risparmio gestito la gestione del denaro finanza comportamentale come investire in modo consapevole tra portafogli efficienti fondi comuni e strategie di acquisto ebook italiano anteprima gratis cari giovani ecco come investire per il vostro futuro trading e investimenti online

[investimenti sicuri 2023 basso rischio e alto rendimento](#) - Sep 25 2022

web may 4 2023 purtroppo non esistono investimenti a rischio zero qualunque investimento ha un rischio anche se piccolo di solito il rendimento di un investimento è correlato al rischio in pratica se vuoi guadagnare di più con i tuoi investimenti devi essere disposto a

investimenti sicuri 3 modi per investire a basso rischio - Jun 22 2022

web quali sono i migliori investimenti sicuri oggi nel 2021 ci troviamo a vivere in un contesto socio economico molto particolare da un punto di vista puramente lavorativo stiamo attraversando una transizione importante verso i mestieri del futuro più incentrati sull'utilizzo delle nuove tecnologie

investimenti sicuri 2023 i 18 migliori redditizi a basso rischio - Jun 03 2023

web may 15 2023 i migliori investimenti sicuri azioni conti deposito investimenti postali obbligazioni trading in forex e crypto tutto aggiornato alle novità di mercato di oggi come investire i soldi senza rischi guadagnare 25 euro

[10 migliori investimenti a basso rischio finanza investimenti](#) - Feb 16 2022

web jun 12 2023 i conti deposito sono uno dei migliori investimenti a basso rischio disponibili sul mercato questi conti offrono un modo sicuro per conservare i propri risparmi e ottenere un modesto rendimento senza l'esposizione ai

[investire a basso rischio quello che le banche non dicono](#) - Jul 24 2022

web investire a basso rischio quello che le banche non dicono per diventare un investitore di successo e guadagnare denaro con gli investimenti industriali senza perdere il tuo capitale

investimenti sicuri come investire senza rischi nel 2023 - Nov 27 2022

web jan 23 2023 investimento a basso rischio bondora investimenti sicuri e redditizi moneyfarm 1 investimenti sicuri in banca come investire senza rischi la risposta a questa domanda è senz'altro legata al mondo delle banche e dei conti deposito

investire a basso rischio quello che le banche non dicono - Jul 04 2023
web investire a basso rischio quello che le banche non dicono per diventare un investitore di successo e guadagnare denaro con gli investimenti industriali senza perdere il tuo capitale copertina flessibile 4 maggio 2017 di carmen debora esposito autore 3 9 143 voti visualizza tutti i formati ed edizioni copertina flessibile

[prentice hall living environment answer key biology](#) - Jan 08 2023

web using a theme based approach it illustrates the interplay between theory observation testing and interpretation it offers

commentary on strengths and weaknesses of data sets gives detailed examples rather than a broad synoptic approach includes many data graphics and boxes regarding both sides of controversies

[prentice hall the living environment answer key better world books](#) - Dec 07 2022

web limited preview for prentice hall the living environment answer key provided by archive org this is a limited preview of the contents of this book and does not directly represent the item available for sale

[prentice hall the living environment answer key pittsburgh](#) - Feb 26 2022

web prentice hall the living environment answer key author blogs post gazette com 2023 09 02t00 00 00 00 01 subject

prentice hall the living environment answer key keywords prentice hall the living environment answer key

[living environment prentice hall answer keys](#) - Jun 01 2022

web living environment prentice hall answer keys f3df4f59ce387c3d2ed2b24e6b1aec7c challenging the brain to think greater than before and faster can be undergone by some ways experiencing

living environment prentice hall answer keys pdf ci kubesail - Apr 11 2023

web prentice hall biology utilizes a student friendly approach that provides a powerful framework for connecting the key concepts of biology new big ideas help all students focus on the most

prentice hall the living environment answer key abebooks - Mar 10 2023

web abebooks com prentice hall the living environment answer key 9780133647648 and a great selection of similar new used and collectible books available now at great prices prentice hall the living environment answer key 9780133647648 abebooks

prentice hall answer key review living environment pdf - Apr 30 2022

web prentice hall answer key review living environment unveiling the power of verbal art an emotional sojourn through prentice hall answer key review living environment in some sort of inundated with monitors and the cacophony of

instantaneous transmission the profound power and emotional resonance of verbal art

living environment prentice hall answer keys phil hubbard 2023 - Jul 02 2022

web living environment prentice hall answer keys is user friendly in our digital library an online access to it is set as public thus you can download it instantly

[living environment prentice hall answer keys](#) - Nov 06 2022

web topic 1 chemistry of living things 2270 001 1 23 mb topic 2 cell 002 588 kb topic 3 nutrition photosynthesis respiration 003 897 kb topic 4 human body 004 1 61 mb topic 5 human reproduction005 1 92 mb topic 6 genetics 006 1 94 mb topic 7

evolution 007 1 67 mb topic 8 ecology review 008 6 69 mb

the living environment 2013 answer key by prentice hall goodreads - May 12 2023

web prentice hall editor no returns foreword 3 00 3 ratings0 reviews paperback book details editions

living environment prentice hall answer keys pdf uniport edu - Oct 05 2022

web aug 9 2023 living environment prentice hall answer keys 1 7 downloaded from uniport edu ng on august 9 2023 by guest living environment prentice hall answer keys if you ally need such a referred living environment prentice hall answer keys books that will come up with the money for you worth acquire the totally best

ebook living environment prentice hall answer keys 2014 - Jan 28 2022

web living environment prentice hall answer keys 2014 the unix programming environment aug 30 2022 and governmental regulations each chapter contains objectives key terms a summary review questions and activities to enhance the learning experience this book is the living environment mar 05 2023 earth resources

living environment prentice hall answer keys - Sep 04 2022

web living environment prentice hall answer keys author blogs sites post gazette com 2023 07 31t00 00 00 00 01 subject

living environment prentice hall answer keys keywords living environment prentice hall answer keys

the living environment 2012 answer key goodreads - Feb 09 2023

web read reviews from the world s largest community for readers the living environment 2012 answer key prentice hall brief review for the new york regents ex

living environment prentice hall answer keys banking finance gov - Dec 27 2021

web let s review regents living environment revised edition transdisciplinary solutions for sustainable development

sustainable planet issues and solutions for our environment s future 2 volumes

the living environment prentice hall brief review answer key - Aug 03 2022

web apr 26 2023 if you are looking for the the living environment prentice hall brief review answer key you ve come to the right place download the answer key pdf for free

prentice hall brief review the living environment 2019 - Aug 15 2023

web now with expert verified solutions from prentice hall brief review the living environment 2019 you ll learn how to solve your toughest homework problems our resource for prentice hall brief review the living environment 2019 includes answers to chapter exercises as well as detailed information to walk you through the process

the living environment textbook answer key answers for - Jul 14 2023

web prentice hall living environment workbook answer key file type prentice hall living environment workbook answer key file type 12c542692aa46c4c28b5fa08b3fd9d47 the living environmentlife on an ocean planetbenchmarks

prentice hall brief review the living environment 2019 quizlet - Jun 13 2023

web find step by step solutions and answers to exercise 33 from prentice hall brief review the living environment 2019 9781418292164 as well as thousands of textbooks so you can move forward with confidence

living environment prentice hall answer keys pittsburgh post - Mar 30 2022

web living environment prentice hall answer keys download file pdf living environment prentice hall answer keys k f f d f o f g j r s t x r w v r q q'qs u'p v

radio luxembourg 208 your station of the stars bbc - Aug 21 2023

web radio luxembourg 208 your station of the stars home episodes episodes all available now 0 next on 0 episode 2 2 2 how 208 was influential for millions of under the bedclothes

the station of the stars radioluxembourg - Oct 23 2023

web the station of the stars radio luxembourg s english language programming was known as the station of the stars a title it truly earned and never really lost during its colourful history when it boasted more stars on its airwaves than any other european radio station

the station of the stars radio luxembourg music in the night - May 18 2023

web original brochure designed and produced for radio luxembourg london ltd by the gordon ross company of london and printed in great britain by pillans wilson ltd edinburgh this edition designed and typeset by russ j graham and edited by david heathcote for the transdiffusion broadcasting system bcm transdiffusion london

radio luxembourg wikipedia - Sep 10 2022

web radio luxembourg was a multilingual commercial broadcaster in luxembourg it is known in most non english languages as rtl for radio television luxembourg the english language service of radio luxembourg began in 1933 as one of the earliest commercial radio stations broadcasting to the uk and ireland the station provided a way to

bbc radio 2 radio luxembourg 208 your station of the stars - Jun 19 2023

web radio luxembourg 208 your station of the stars noel edmonds tells the story of luxy the original pop music station in the uk hugely influential for millions of under the bedclothes

radio luxembourg the station of the stars goodreads - Jul 20 2023

web if you were a listener to radio luxembourg this book will bring back heaps of happy memories richard nichols has created a wonderfully detailed history of the luxembourg years and his own love of the station of the stars is evident throughout the 189 pages if luxembourg is new to you prepare for a fascinating learning curve

radio luxembourg the station of the stars paperback - Aug 09 2022

web authoritative account of radio luxembourg justifiably a legend in international broadcasting lots of photos of equipment and deejays covers the radio station into the mid 1980 s

radio luxembourg 208 on the dial station of the stars - Nov 12 2022

web radio luxembourg 208 on the dial station of the stars radio before radio luxembourg one of the advantages of having the

internet is that now radio from around the world is available at all times and with good reception no longer does one have to suffer the interference that came with short wave reception

radio luxembourg - Apr 17 2023

web feb 7 2001 the station of the stars the famous two o eight is still remembered as the popular european radio station of the 20th century this website is devoted to its colourful history so tune in and join us on a journey through european radio history

radio luxembourg 208 your station of the stars media - Feb 15 2023

web jun 7 2012 radio luxembourg 208 your station of the stars noel edmonds continues the story of the original pop music station in the uk radio luxembourg it was hugely influential for millions of

the return of the station of the stars 208 radio luxembourg - Jul 08 2022

web 208 radio luxembourg it was in june 1999 that the first rumours spreaded around about plans to bring back the famous radio luxembourg the station of the stars on the air again far before world war ii the station started english language programmes with the main target the listeners in great britain especially in the late fifties sixties

radio luxembourg the station of the stars softcover abebooks - Jun 07 2022

web radio luxembourg the station of the stars by richard nichols isbn 10 0863790356 isbn 13 9780863790355 comet 1983 softcover

radio luxembourg the station of the stars taylor francis - Mar 16 2023

web may 18 2009 radio luxembourg the station of the stars journal of broadcasting vol 10 no 4 journal journal of broadcasting volume 10 1966 issue 4 14 views 0

radio luxembourg 208 on the dial station of the stars - May 06 2022

web station of the stars 208 radio luxembourg the station of the stars with the advent of rock n roll the flavour of the english language service of radio luxembourg changed and became the place to hear the music and millions of kids across the country tuned in and our world was never the same

radio luxembourg the station of the stars paperback - Apr 05 2022

web hello sign in account lists returns orders cart

radio luxembourg 208 on the dial station of the stars - Dec 13 2022

web station of the stars after thought farmhouse in oakley by 1960 my musical tastes were broadening and the time spent listening to radio luxembourg became less even so whenever possible i would tune in to 208 and catch the decca sponsored showcase shows on monday and wednesday nights

radio luxembourg the station of the stars radio jingles - Oct 11 2022

web radio luxembourg the station of the stars features some great mixes and demos of jingles produced by mark wesley way radio productions cpmg george acogny mmi and more at the bottom of this page i have included some pams re sings for the french service of radio luxembourg along with some cpmg re sings for radio tele

radio luxembourg station of the stars - Jan 14 2023

web jack jackson radio lxmbg sunday august 8 1965 top twenty presented by barry alldis radio lxmbg sunday june 26 1966 top twenty presented by barry alldis and this was his last top twenty at least for 9 years onwards he says in the program that he will be moving to london

this is radio luxembourg your station of the stars the great - Sep 22 2023

web tony prince jimmy savile luxembourg waltz your station of the stars colourful radio luxembourg barry alldis the video with barry alldis is recorded on sunday november 15 1964 my philips radio 1953 every saturdaynight at 11 pm and every mondaynight at 7pm uk time an old radio luxembourg programme radio emmeloord

radio luxembourg 208 on the dial station of the stars - Mar 04 2022

web station of the stars 208 radio luxembourg the early years click on the above programme pages to enlarge if you were to ask anyone of my age about radio during their childhood they will undoubtedly talk about their favourite b b c programmes and also mention radio luxembourg