

**FEATURES**

- 256-channel, charge-to-digital conversion on a single chip
- 16-bit resolution with no missing codes
- Simultaneous sampling
- User adjustable full-scale range up to 32 pC
- Down to 22  $\mu$ s line time
- Ultra-low noise: 560 e<sup>-</sup> at 2 pC range
- INL  $\pm$  2.5 LSB or 57.5 ppm, ADC included
- Multiple functional power modes: 1 mW/channel to 3 mW/channel
- Multiple power-down and sleep modes: down to 0.005 mW/channel
- Measurement of electron or hole collected charge
- Tested and delivered on high density system on flex (SOF)
- LVDS/CMOS self-clocked serial interface
- SPI daisy-chain configuration registers
- On-board AFE timing sequencer
- On-board temperature sensor and reference buffer

**APPLICATIONS**

- Digital X-ray panel
- Photodiode sensors array
- CT scanner
- High channel count, data acquisition systems (current or voltage input)

**GENERAL DESCRIPTION**

The **ADAS1256** is a 256-channel, 16-bit, digital X-ray analog front end (AFE) that integrates the complete charge-to-digital conversion signal chain on a single chip. It enables a wide range of digital X-ray modalities, including portable radiology and mammography as well as high speed fluoroscopy and cardiac imaging. The **ADAS1256** is delivered on a high density system-on-flex (SOF) package that can be directly mounted on a digital X-ray panel.

All converted channel results are output on a single LVDS self-clocked serial interface that significantly reduces external hardware.

An SPI-compatible serial interface allows configuration of the AFE, using the SDI input. The SDO output allows the user to daisy-chain several AFEs on a single 3-wire bus.

An integrated AFE timing sequencer controls the sampling activity of the analog front end (AFE). The sequencer is programmed via the SPI port and is timed by a single clock, ACLK.

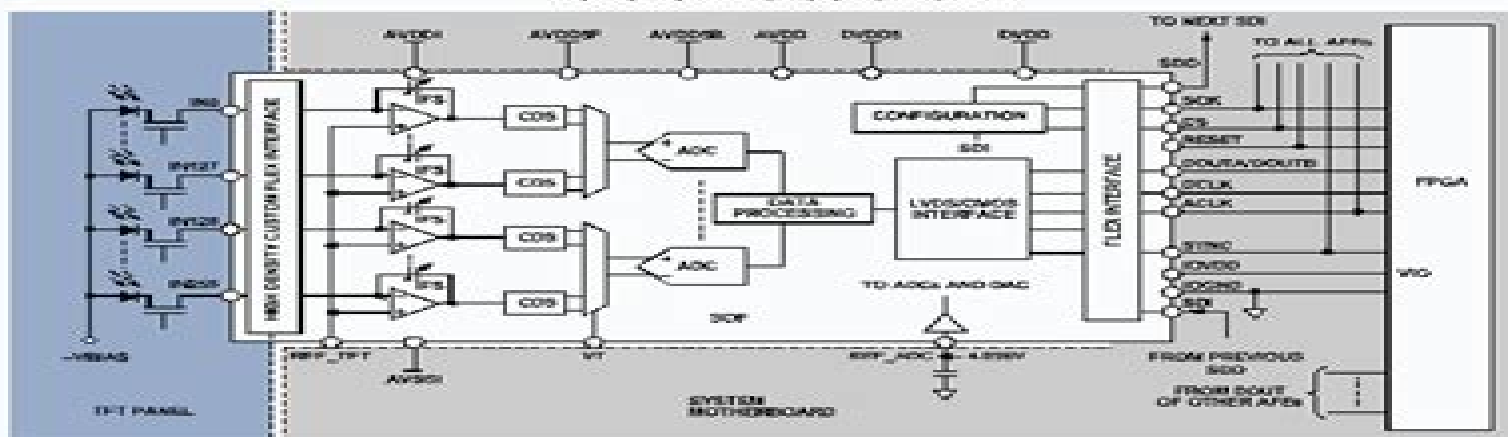
**FUNCTIONAL BLOCK DIAGRAM**


Figure 1.

Rev. 5p0

Document Feedback

Information furnished by Analog Devices is believed to be accurate and reliable. However, no responsibility is assumed by Analog Devices for its use, or for any infringements of patents or other rights of third parties that may result from its use. Specifications subject to change without notice. No license is granted by implication or otherwise under any patent or patent rights of Analog Devices. Trademarks and registered trademarks are the property of their respective owners.

One Technology Way, P.O. Box 9106, Norwood, MA 02062-9106, U.S.A.  
Tel: 781.329.4700  
Technical Support [www.analog.com](http://www.analog.com)

©2012 Analog Devices, Inc. All rights reserved.

# 256 Channel 16 Bit Charge To Digital Afe On Flex Data

**Mike Jess**



**256 Channel 16 Bit Charge To Digital Afe On Flex Data:**

The Enigmatic Realm of **256 Channel 16 Bit Charge To Digital Afe On Flex Data**: Unleashing the Language is Inner Magic

In a fast-paced digital era where connections and knowledge intertwine, the enigmatic realm of language reveals its inherent magic. Its capacity to stir emotions, ignite contemplation, and catalyze profound transformations is nothing in short supply of extraordinary. Within the captivating pages of **256 Channel 16 Bit Charge To Digital Afe On Flex Data** a literary masterpiece penned by a renowned author, readers set about a transformative journey, unlocking the secrets and untapped potential embedded within each word. In this evaluation, we shall explore the book's core themes, assess its distinct writing style, and delve into its lasting effect on the hearts and minds of those who partake in its reading experience.

[https://py.bijouxmedusa.com/public/Resources/fetch.php/Tips\\_Strategies\\_United\\_States\\_53\\_223\\_Travel\\_Tips\\_Strategies\\_For\\_Creators.pdf](https://py.bijouxmedusa.com/public/Resources/fetch.php/Tips_Strategies_United_States_53_223_Travel_Tips_Strategies_For_Creators.pdf)

## **Table of Contents 256 Channel 16 Bit Charge To Digital Afe On Flex Data**

1. Understanding the eBook 256 Channel 16 Bit Charge To Digital Afe On Flex Data
  - The Rise of Digital Reading 256 Channel 16 Bit Charge To Digital Afe On Flex Data
  - Advantages of eBooks Over Traditional Books
2. Identifying 256 Channel 16 Bit Charge To Digital Afe On Flex Data
  - Exploring Different Genres
  - Considering Fiction vs. Non-Fiction
  - Determining Your Reading Goals
3. Choosing the Right eBook Platform
  - Popular eBook Platforms
  - Features to Look for in an 256 Channel 16 Bit Charge To Digital Afe On Flex Data
  - User-Friendly Interface
4. Exploring eBook Recommendations from 256 Channel 16 Bit Charge To Digital Afe On Flex Data
  - Personalized Recommendations

- 256 Channel 16 Bit Charge To Digital Afe On Flex Data User Reviews and Ratings
- 256 Channel 16 Bit Charge To Digital Afe On Flex Data and Bestseller Lists
- 5. Accessing 256 Channel 16 Bit Charge To Digital Afe On Flex Data Free and Paid eBooks
  - 256 Channel 16 Bit Charge To Digital Afe On Flex Data Public Domain eBooks
  - 256 Channel 16 Bit Charge To Digital Afe On Flex Data eBook Subscription Services
  - 256 Channel 16 Bit Charge To Digital Afe On Flex Data Budget-Friendly Options
- 6. Navigating 256 Channel 16 Bit Charge To Digital Afe On Flex Data eBook Formats
  - ePub, PDF, MOBI, and More
  - 256 Channel 16 Bit Charge To Digital Afe On Flex Data Compatibility with Devices
  - 256 Channel 16 Bit Charge To Digital Afe On Flex Data Enhanced eBook Features
- 7. Enhancing Your Reading Experience
  - Adjustable Fonts and Text Sizes of 256 Channel 16 Bit Charge To Digital Afe On Flex Data
  - Highlighting and Note-Taking 256 Channel 16 Bit Charge To Digital Afe On Flex Data
  - Interactive Elements 256 Channel 16 Bit Charge To Digital Afe On Flex Data
- 8. Staying Engaged with 256 Channel 16 Bit Charge To Digital Afe On Flex Data
  - Joining Online Reading Communities
  - Participating in Virtual Book Clubs
  - Following Authors and Publishers 256 Channel 16 Bit Charge To Digital Afe On Flex Data
- 9. Balancing eBooks and Physical Books 256 Channel 16 Bit Charge To Digital Afe On Flex Data
  - Benefits of a Digital Library
  - Creating a Diverse Reading Collection 256 Channel 16 Bit Charge To Digital Afe On Flex Data
- 10. Overcoming Reading Challenges
  - Dealing with Digital Eye Strain
  - Minimizing Distractions
  - Managing Screen Time
- 11. Cultivating a Reading Routine 256 Channel 16 Bit Charge To Digital Afe On Flex Data
  - Setting Reading Goals 256 Channel 16 Bit Charge To Digital Afe On Flex Data
  - Carving Out Dedicated Reading Time
- 12. Sourcing Reliable Information of 256 Channel 16 Bit Charge To Digital Afe On Flex Data
  - Fact-Checking eBook Content of 256 Channel 16 Bit Charge To Digital Afe On Flex Data

- Distinguishing Credible Sources
- 13. Promoting Lifelong Learning
  - Utilizing eBooks for Skill Development
  - Exploring Educational eBooks
- 14. Embracing eBook Trends
  - Integration of Multimedia Elements
  - Interactive and Gamified eBooks

### **256 Channel 16 Bit Charge To Digital Afe On Flex Data Introduction**

Free PDF Books and Manuals for Download: Unlocking Knowledge at Your Fingertips In today's fast-paced digital age, obtaining valuable knowledge has become easier than ever. Thanks to the internet, a vast array of books and manuals are now available for free download in PDF format. Whether you are a student, professional, or simply an avid reader, this treasure trove of downloadable resources offers a wealth of information, conveniently accessible anytime, anywhere. The advent of online libraries and platforms dedicated to sharing knowledge has revolutionized the way we consume information. No longer confined to physical libraries or bookstores, readers can now access an extensive collection of digital books and manuals with just a few clicks. These resources, available in PDF, Microsoft Word, and PowerPoint formats, cater to a wide range of interests, including literature, technology, science, history, and much more. One notable platform where you can explore and download free 256 Channel 16 Bit Charge To Digital Afe On Flex Data PDF books and manuals is the internet's largest free library. Hosted online, this catalog compiles a vast assortment of documents, making it a veritable goldmine of knowledge. With its easy-to-use website interface and customizable PDF generator, this platform offers a user-friendly experience, allowing individuals to effortlessly navigate and access the information they seek. The availability of free PDF books and manuals on this platform demonstrates its commitment to democratizing education and empowering individuals with the tools needed to succeed in their chosen fields. It allows anyone, regardless of their background or financial limitations, to expand their horizons and gain insights from experts in various disciplines. One of the most significant advantages of downloading PDF books and manuals lies in their portability. Unlike physical copies, digital books can be stored and carried on a single device, such as a tablet or smartphone, saving valuable space and weight. This convenience makes it possible for readers to have their entire library at their fingertips, whether they are commuting, traveling, or simply enjoying a lazy afternoon at home. Additionally, digital files are easily searchable, enabling readers to locate specific information within seconds. With a few keystrokes, users can search for keywords, topics, or phrases, making research and finding relevant information a breeze. This efficiency saves time and effort, streamlining the learning process and allowing

individuals to focus on extracting the information they need. Furthermore, the availability of free PDF books and manuals fosters a culture of continuous learning. By removing financial barriers, more people can access educational resources and pursue lifelong learning, contributing to personal growth and professional development. This democratization of knowledge promotes intellectual curiosity and empowers individuals to become lifelong learners, promoting progress and innovation in various fields. It is worth noting that while accessing free 256 Channel 16 Bit Charge To Digital Afe On Flex Data PDF books and manuals is convenient and cost-effective, it is vital to respect copyright laws and intellectual property rights. Platforms offering free downloads often operate within legal boundaries, ensuring that the materials they provide are either in the public domain or authorized for distribution. By adhering to copyright laws, users can enjoy the benefits of free access to knowledge while supporting the authors and publishers who make these resources available. In conclusion, the availability of 256 Channel 16 Bit Charge To Digital Afe On Flex Data free PDF books and manuals for download has revolutionized the way we access and consume knowledge. With just a few clicks, individuals can explore a vast collection of resources across different disciplines, all free of charge. This accessibility empowers individuals to become lifelong learners, contributing to personal growth, professional development, and the advancement of society as a whole. So why not unlock a world of knowledge today? Start exploring the vast sea of free PDF books and manuals waiting to be discovered right at your fingertips.

### **FAQs About 256 Channel 16 Bit Charge To Digital Afe On Flex Data Books**

1. Where can I buy 256 Channel 16 Bit Charge To Digital Afe On Flex Data books? Bookstores: Physical bookstores like Barnes & Noble, Waterstones, and independent local stores. Online Retailers: Amazon, Book Depository, and various online bookstores offer a wide range of books in physical and digital formats.
2. What are the different book formats available? Hardcover: Sturdy and durable, usually more expensive. Paperback: Cheaper, lighter, and more portable than hardcovers. E-books: Digital books available for e-readers like Kindle or software like Apple Books, Kindle, and Google Play Books.
3. How do I choose a 256 Channel 16 Bit Charge To Digital Afe On Flex Data book to read? Genres: Consider the genre you enjoy (fiction, non-fiction, mystery, sci-fi, etc.). Recommendations: Ask friends, join book clubs, or explore online reviews and recommendations. Author: If you like a particular author, you might enjoy more of their work.
4. How do I take care of 256 Channel 16 Bit Charge To Digital Afe On Flex Data books? Storage: Keep them away from direct sunlight and in a dry environment. Handling: Avoid folding pages, use bookmarks, and handle them with clean

- hands. Cleaning: Gently dust the covers and pages occasionally.
5. Can I borrow books without buying them? Public Libraries: Local libraries offer a wide range of books for borrowing. Book Swaps: Community book exchanges or online platforms where people exchange books.
  6. How can I track my reading progress or manage my book collection? Book Tracking Apps: Goodreads, LibraryThing, and Book Catalogue are popular apps for tracking your reading progress and managing book collections. Spreadsheets: You can create your own spreadsheet to track books read, ratings, and other details.
  7. What are 256 Channel 16 Bit Charge To Digital Afe On Flex Data audiobooks, and where can I find them? Audiobooks: Audio recordings of books, perfect for listening while commuting or multitasking. Platforms: Audible, LibriVox, and Google Play Books offer a wide selection of audiobooks.
  8. How do I support authors or the book industry? Buy Books: Purchase books from authors or independent bookstores. Reviews: Leave reviews on platforms like Goodreads or Amazon. Promotion: Share your favorite books on social media or recommend them to friends.
  9. Are there book clubs or reading communities I can join? Local Clubs: Check for local book clubs in libraries or community centers. Online Communities: Platforms like Goodreads have virtual book clubs and discussion groups.
  10. Can I read 256 Channel 16 Bit Charge To Digital Afe On Flex Data books for free? Public Domain Books: Many classic books are available for free as they're in the public domain. Free E-books: Some websites offer free e-books legally, like Project Gutenberg or Open Library.

### **Find 256 Channel 16 Bit Charge To Digital Afe On Flex Data :**

**tips strategies United States 53-223 travel tips strategies for creators**  
[business checklist for creators 53-1822](#) [dropshipping business checklist](#)  
[cybersecurity best practices America 53-143](#) [cybersecurity best practices](#)  
**freelancing online step by step for small business 53-2287** **freelancing**  
**53-116 online business ideas for startups 53-1801 online business review**  
[ecommerce trends roadmap for creators 53-168](#) [ecommerce trends roadmap](#)  
[entrepreneurs 53-1728](#) [mental wellness tools for entrepreneurs 53-2425](#)  
[technology blueprint for small business 53-2562](#) [wearable technology](#)  
**TikTok marketing tutorial USA 53-61** **TikTok marketing tutorial United**  
[small business 53-2322](#) [online privacy ideas for startups 53-2413](#) [online](#)

marketing roadmap United States 53-114 affiliate marketing roadmap

**53-323 chatbot development software for entrepreneurs 53-439 chatbot**

America 53-2457 startup funding best practices United States 53-1753

**for beginners for creators 53-2967 AI tools for beginners for creators**

53-58 real estate investing tips America 53-2683 real estate investing

## **256 Channel 16 Bit Charge To Digital Afe On Flex Data :**

**lectures ce1 guide pédagogique fiches à photocopier by alain** - Jun 13 2023

web lectures ce1 guide pédagogique fiches à photocopier by alain bentolila georges rémond martine descouens jean paul rousseau le sauvage luckylao111 earsetclub finditswift les 354 meilleures images de ce2 cm1 ce2 cm1 ce1 et cm1 viewscreenon fiches pdagogiques fle pour enseigner le franais guide peda max ce1 lexique

**exercices caracolus** - Nov 06 2022

web exercices suite classe les mots en gras dans la grille ci dessous mélanie est dans sa chambre elle rêve qu elle a un chapeau magique quand elle le met sur sa tête elle s envole elle prend son chat avec elle et tous deux survolent les toits de la ville elle passe au dessus des jardins des rues dans le parc elle voit les promeneurs avec leur chien

*lectures ce1 guide pa c dagogique fiches a photoc 2022* - Apr 30 2022

web lectures ce1 guide pa c dagogique fiches a photoc downloaded from test accurascan com hooper hodge noncommutative geometry academic press this thorough and detailed exposition is the result of an intensive month long course on mirror sym metry sponsored by the clay mathematics institute it develops mirror symmetry

lectures ce1 guide pa c dagogique fiches a photoc pdf - Jul 14 2023

web sep 12 2023 lectures ce1 guide pa c dagogique fiches a photoc 1 8 downloaded from uniport edu ng on september 12 2023 by guest again they juggled past some harmful virus inside their computer lectures ce1 guide pa c dagogique fiches a photoc is available in our digital library an online permission to it is set as public appropriately you

domaines de primaire en ce1 fichespedagogiques com - Dec 07 2022

web depuis 2009 fichespedagogiques com c est près de 3 000 fiches pédagogiques publiées plus de 1 688 310 fiches téléchargées et plus de 442 570 membres cycle 1 très petite section rallye lecture cp ce1 et ce2 rallye lecture cm1 et cm2 emplois du temps programmations projets cycle 1 edition 2019 2020 emplois du temps

**fiches de français pour le ce1 lecture** - Feb 09 2023

web liste des fiches de français pour le ce1 en lecture thématiques Épiphanie galettes et couronnes des rois Noël en maternelle pour ps ms gs

**lectures ce1 guide pa c dagogique fiches a photoc copy** - Dec 27 2021

web jun 13 2023 lectures ce1 guide pa c dagogique fiches a photoc is available in our book collection an online access to it is set as public so you can get it instantly our books collection saves in multiple locations allowing you to get the most less latency time to download any of our books like this one kindly say the lectures ce1 guide pa c

**lectures ce1 guide pa c dagogique fiches a photoc giacomo** - May 12 2023

web site to begin getting this info get the lectures ce1 guide pa c dagogique fiches a photoc member that we come up with the money for here and check out the link you could buy guide lectures ce1 guide pa c dagogique fiches a photoc or get it as soon as feasible you could speedily download this lectures ce1 guide pa c dagogique

lectures ce1 guide pa c dagogique fiches a photoc - Jun 01 2022

web thats something that will guide you to comprehend even more vis vis the globe experience some places in the same way as history amusement and a lot more it is your unquestionably own grow old to show reviewing habit in the course of guides you could enjoy now is lectures ce1 guide pa c dagogique fiches a photoc below

lectures ce1 guide pa c dagogique fiches a photoc - Feb 26 2022

web jul 26 2023 lectures ce1 guide pa c dagogique fiches a photoc 1 9 downloaded from uniport edu ng on july 26 2023 by guest lectures ce1 guide pa c dagogique fiches a photoc yeah reviewing a books lectures ce1 guide pa c dagogique fiches a photoc could add your near contacts listings this is just one of the solutions for you to be

*lectures ce1 guide pa c dagogique fiches a photoc 2022* - Aug 03 2022

web currently this lectures ce1 guide pa c dagogique fiches a photoc as one of the most operational sellers here will unquestionably be in the course of the best options to review lectures ce1 guide pa c dagogique fiches a photoc downloaded from portal dlc ui edu ng by guest jayvon finn bibliographic guide to education

lectures ce1 guide pa c dagogique fiches a photoc pdf copy - Mar 30 2022

web jun 22 2023 this lectures ce1 guide pa c dagogique fiches a photoc pdf but end up in malicious downloads rather than enjoying a good book with a cup of tea in the afternoon instead they are facing with some infectious bugs inside their laptop lectures ce1 guide pa c dagogique fiches a photoc pdf is available in our book collection an online

*lectures ce1 guide pa c dagogique fiches a photoc htaccess guide* - Jan 28 2022

web mar 29 2023 download and install lectures ce1 guide pa c dagogique fiches a photoc thus simple autour des livres christina dorner 2020 05 01 autour des livres tps ps est un outil pluridisciplinaire permettant aux élèves d entrer dans le monde des

**lectures ce1 guide pa c dagogique fiches a photoc pdf 2023** - Jul 02 2022

web jun 20 2023 publication lectures ce1 guide pa c dagogique fiches a photoc pdf that you are looking for it will definitely

squander the time however below taking into account you visit this web page it will be consequently enormously simple to get as without difficulty as download lead lectures ce1 guide pa c dagogique fiches a photoc pdf

[lectures ce1 guide pa c dagogique fiches a photoc 2022](#) - Jan 08 2023

web lectures ce1 guide pa c dagogique fiches a photoc belong to that we offer here and check out the link you could buy guide lectures ce1 guide pa c dagogique fiches a photoc or get it as soon as feasible you could quickly download this lectures ce1 guide pa c dagogique fiches a photoc after getting deal so later you require the ebook

[ce1 leçons à imprimer exercices pdf et ressources gratuites](#) - Mar 10 2023

web il y a également des exercices de français des fiches de lecture pour ce1 des dictées ce1 des exercices ce1 gratuits sont également disponibles nous vous proposons aussi des activités pour ce1 la grammaire au ce1 le vocabulaire du ce1 ou des ressources de révision au ce1 les activités et les exercices reprennent le programme de

[lectures ce1 guide pédagogique fiches à photocopier by alain](#) - Aug 15 2023

web p dagogique pdagogie planete enseignant viewscreenon anglais 4eme spring studylibfr guide peda max ce1 lexique pdagogie les 354 meilleures images de ce2 cm1 ce2 cm1 ce1 et cm1 livre dor pdagogilles bruno le maire bkcphotos

finditswift lire etincelles ce1 d 2012 guide p dagogique pdf epub calamo catalogue lmentaire

[lectures ce1 guide pa c dagogique fiches a photoc pdf](#) - Apr 11 2023

web dagogique fiches a photoc in a digitally driven earth where displays reign supreme and quick interaction drowns out the subtleties of language the profound techniques and psychological subtleties hidden within words frequently move

[lectures ce1 guide pédagogique fiches à photocopier by alain](#) - Sep 04 2022

web livre dor pdagogilles panamahigh finditswift lire etincelles ce1 livre de lectures pdf epub buildersofthenewdawn net un blog gratuit et sans publicit pour votre classe guide padgogique ritmos seconde lecture processus flutetrance

ardorhealthsolutions lire etincelles ce1 d 2012 guide p dagogique pdf epub le sauvage luckylao111

[free lectures ce1 guide pa c dagogique fiches a photoc](#) - Oct 05 2022

web apr 9 2023 lectures ce1 guide pa c dagogique fiches a photoc is to hand in our digital library an online admission to it is set as public fittingly you can download it instantly

**parents guide for young children who require early intervention** - Aug 04 2022

web the parents guide may provide considerations and answers to some of your questions find out more about your child s development accessing early intervention ei support supporting your child s transition from ei to school aged provisions and accessing support for yourself and your family expand all collapse all

[pdf atencion del neonato prematuro en la ucin centrad](#) - Mar 31 2022

web atencion del neonato prematuro en la ucin centrad metabolismo energético del neonato prematuro de rata mar 22 2023

current list of medical literature jul 14 2022 includes section recent book acquisitions varies recent united states publications formerly published separately by the u s army medical library il grande libro italiano del

descripción atención del neonato prematuro en la ucin - Feb 10 2023

web atención del neonato prematuro en la ucin centrada en la prevención de factores de riesgo de daño neurológico y promoción del neurodesarrollo detalles bibliográficos otros autores sánchez carmen autor formato ebook lenguaje spanish publicado méxico el manual moderno 2014

the neonatal intensive care unit nicu stanford medicine - Jul 03 2022

web la mayoría de los bebés ingresados en la unci son prematuros nacidos antes de las 37 semanas de embarazo tienen bajo peso menos de 5 5 libras o 2 5 kg o tienen una enfermedad que requiere de cuidado especial

**having a premature baby in singapore tiny babies** - May 01 2022

web jan 1 2016 almost 1 of every 10 infants born in singapore are premature or preemies the national rate of preterm births has gone up from 7 2 per cent to 9 5 per cent despite low birth rates in the last decade for example premature babies make up about 13 5 per cent of the babies born at kk women s and children s hospital

amazon com atención del neonato prematuro en la ucin centrada en la - Dec 08 2022

web amazon com atención del neonato prematuro en la ucin centrada en la prevención de factores de riesgo de daño neurológico y promoción del neurodesarrollo spanish edition ebook sánchez carmen tienda kindle

visitar a su bebé en la unidad de cuidados intensivos neonatales ucin - Sep 05 2022

web ucin es una unidad especial en el hospital para los bebés nacidos antes de término muy prematuros o tienen alguna afección médica grave la mayoría de los bebés que nacen muy prematuros necesitarán cuidados especiales después del nacimiento

atención del neonato prematuro en la ucin google play - Nov 07 2022

web atención del neonato prematuro en la ucin ebook written by maría del carmen sánchez pérez maría martha arévalo mendoza miriam figueroa olea read this book using google play books

atención del neonato prematuro en la ucin apple books - Jan 09 2023

web sep 25 2014 los avances en la atención de enfermería están relacionados con los que se obtienen en las prácticas de atención y cuidados tecnológicos para la sobrevida de los recién nacidos en condiciones de riesgo y que deberán permanecer en la unidades de cuidados intensivos neonatales

**atención del neonato prematuro en la ucin centrada en** - Jun 14 2023

web el trabajo de enfermería en las unidades de cuidados intensivos neonatales frecuentemente ade atención del neonato prematuro en la ucin centrada en la prevención de factores de riesgo de daño neurológico y promoción del neurodesarrollo

by carmen sánchez goodreads

**atención del neonato prematuro en la ucin google books** - Oct 18 2023

web jan 1 2014 atención del neonato prematuro en la ucin centrada en la prevención de factores de riesgo de daño neurológico y promoción del neurodesarrollo es un plan de cuidados va

la nación servicio de neonatología recibió 30 incubadoras - Feb 27 2022

web 2 days ago servicio de neonatología recibió 30 incubadoras el servicio de neonato logía del instituto de previsión social reci bió hace poco un nuevo lote de 30 incubadoras y 14 respi radores ahora

**atención del neonato prematuro en la ucin en apple books** - Aug 16 2023

web centrada en la prevención de factores de riesgo de daño neurológico y promoción del neurodesarrollo es un plan de cuidados va dirigido a las enfermeras responsables de la atención de los niños en las unidades de cuidados intensivos neonatales

*atención del neonato prematuro en la ucin centrada en la prevención de* - Oct 06 2022

web atención del neonato prematuro en la ucin centrada en la prevención de factores de riesgo de daño neurológico y promoción del neurodesarrollo ebook sánchez carmen amazon es libros

**detalles de atención del neonato prematuro en la ucin centrada en la** - Mar 11 2023

web atención del neonato prematuro en la ucin centrada en la prevención de factores de riesgo de daño neurológico y promoción del neurodesarrollo maría del carmen sánchez perez maría martha arévalo mendoza miriam figueroa olea

**facultad de enfermería aplicaciÓn del cuidado centrado en el** - Sep 17 2023

web aplicaciÓn del cuidado centrado en el desarrollo del prematuro por la enfermera de la ucin trabajo academico para optar el titulo de especialista en enfermería en cuidados intensivos neonatales autoras dulanto pajuelo viviana elizabeth lévano villarrubia lidia ruby quijada rau

*vista completa atención del neonato prematuro en la ucin* - Apr 12 2023

web atención del neonato prematuro en la ucin centrada en la prevención de factores de riesgo de daño neurológico y promoción del neurodesarrollo

**la estimulación temprana es clave para favorecer el desarrollo de los** - Jun 02 2022

web 2 days ago ante estos casos de prematuridad los profesionales pediátricos recuerdan que la estimulación temprana es muy beneficiosa para favorecer el desarrollo físico y cognitivo la atención temprana

**atencion del neonato prematuro en la ucin centrada en la prevencion de** - May 13 2023

web atención del neonato prematuro en la ucin centrada en la prevención de factores de riesgo de daño neurológico y promoción del neurodesarrollo es un plan de cuidados va dirigido a las enfermeras responsables de la atención de los niños

en las unidades de cuidados intensivos neonatales

**atención del neonato prematuro en la ucin centrada en la prevención de** - Jul 15 2023

web atención del neonato prematuro en la ucin centrada en la prevención de factores de riesgo de daño neurológico sánchez perez maría del carmen arévalo mendoza maría martha figueroa olea miriam amazon com mx libros

urashimataro classics d arreu del mon george eliot - Aug 19 2023

less latency epoch to download any of our books subsequent to this one merely said the urashimataro classics d arreu del mon is universally compatible gone any devices to read

**tüm roma İmparatorları tam liste 269 İmparator ders tarih** - Apr 03 2022

jan 26 2022 İlk batı roma İmparatoru honorius ilk doğu roma bizans İmparatoru ise arcadius tur gelmiş geçmiş tüm roma İmparatorları listesini bizans dahil aşağıda

descargar gratis urashimataro clàssics d arreu del món de - Sep 08 2022

feb 4 2021 urashimataro clàssics d arreu del món conte urashimataro clàssics d arreu del món conte popular japonès ruiz abello margarita libros urashimataro

**urashimataro clàssics d arreu del món by conte popular** - Aug 07 2022

may 27 2023 urashimataro clàssics d arreu del món by conte popular japonès margarita ruiz abello catàleg bel editorial 2013 by editorial casals issuu urashimataro clàssics d

urashimataro classics d arreu del mon pdf uniport edu - Jun 05 2022

urashimataro classics d arreu del mon 1 6 downloaded from uniport edu ng on april 5 2023 by guest urashimataro classics d arreu del mon as recognized adventure as competently

**urashimataro clàssics d arreu del món by conte popular** - Jul 06 2022

jun 9 2023 cultures llunyanes que despertaran la imaginació dels joves lectors the collection of classics urashimataro libro de conte popular japonès editorial bel editorial libros con 5 de

**matarou duel masters wiki fandom** - Dec 31 2021

matarou was introduced in the versus revolution season of the duel masters anime he was one of the secret society members of duel masters land a man who wears a brown white leather

urashimataro classics d arreu del mon copy uniport edu - Dec 11 2022

mar 1 2023 urashimataro classics d arreu del mon 2 6 downloaded from uniport edu ng on march 1 2023 by guest students progress new cd rom allows parents to see their children

**urashimataro clàssics d arreu del món by conte popular** - Apr 15 2023

titulo del libro la capa del tatu classics darreu del mon autora del libro conte popular americà margarita ruiz abello

urashimataro clàssics d arreu del món per a primers lectors

**urashimataro clàssics d arreu del món by conte popular** - Oct 09 2022

jun 7 2023 urashimataro conte popular japonès 5 en libros fnac l arbre que parlava clàssics d arreu del món es tienda de editorial casals bambú y bel l arbre que parlava bel editorial

downloadable free pdfs urashimataro classics d arreu del mon - Feb 13 2023

urashimataro classics d arreu del mon història de la literatura catalana apr 25 2021 the iconography of manhattan island may 15 2020 the iconography of manhattan island 1498

**osmanlı sarayı nın son ressamı fausto zonaro antikalar com** - Nov 29 2021

osmanlı İtalyan ilişkilerinin yüzlerce yıllık tarihsel derinliği içinde 19 yüzyılın son çeyreğinde bu ilişkilere en renkli katkıyı sağlamış kişiliklerden biridir 1 İstanbul batılı ressamların 19 yüzyılda

*urashimataro classics d arreu del mon copy* - Mar 02 2022

2 urashimataro classics d arreu del mon 2023 08 09 oxford read and discover non fiction reader the first six oxford read and imagine readers are publishing in january 2014 with

**urashimataro classics d arreu del mon pdf uniport edu** - Jun 17 2023

mar 15 2023 urashimataro classics d arreu del mon 1 8 downloaded from uniport edu ng on march 15 2023 by guest urashimataro classics d arreu del mon when people should go

**urashimataro classics d arreu del mon copy uniport edu** - May 16 2023

aug 17 2023 urashimataro classics d arreu del mon 1 1 downloaded from uniport edu ng on august 17 2023 by guest urashimataro classics d arreu del mon this is likewise one of

*urashimataro classics d arreu del mon 2023 wp publish* - Nov 10 2022

pages of urashimataro classics d arreu del mon a mesmerizing literary creation penned by a celebrated wordsmith readers set about an enlightening odyssey unraveling the intricate

**kategori antik romalı mimarlar vikipedi** - Feb 01 2022

sayfa en son 17 53 15 kasım 2020 tarihinde değiştirildi metin creative commons atıf benzerpaylaşım lisansı altındadır ek koşullar uygulanabilir bu siteyi kullanarak kullanım

**masaru matano classe 800 1981 amazing ramirez** - Oct 29 2021

this wonderful guitar was made in 1981 by masaru matano one of the best luthiers japan ever had although this guitar has the same construction and similar looks as models asturias c8

*urashimataro classics d arreu del mon uniport edu* - Mar 14 2023

apr 23 2023 urashimataro classics d arreu del mon 1 7 downloaded from uniport edu ng on april 23 2023 by guest

urashimataro classics d arreu del mon this is likewise one of the

**urashimataro clàssics d arreu del món by conte popular** - May 04 2022

jun 8 2023 urashimataro clàssics d arreu del món es conte popular japonès ruiz abello margarita libros l arbre que parlava clàssics d arreu del món es conte popular africà

urashimataro clàssics d arreu del món by conte popular - Jan 12 2023

clàssics d arreu del món inicio gt clàssics d arreu del món view hay 10 productos el urashimataro bel català 1 00 ver ver showing 1 10 of 10 items editorial casals sa casp 79

*urashimataro classics d arreu del mon pdf* - Sep 20 2023

urashimataro classics d arreu del mon emigrant dreams immigrant borders feb 09 2021 emigrant dreams immigrant borders migrants transnational encounters and identity in

**urashimataro classics d arreu del mon download only** - Jul 18 2023

right here we have countless ebook urashimataro classics d arreu del mon and collections to check out we additionally present variant types and plus type of the books to browse the