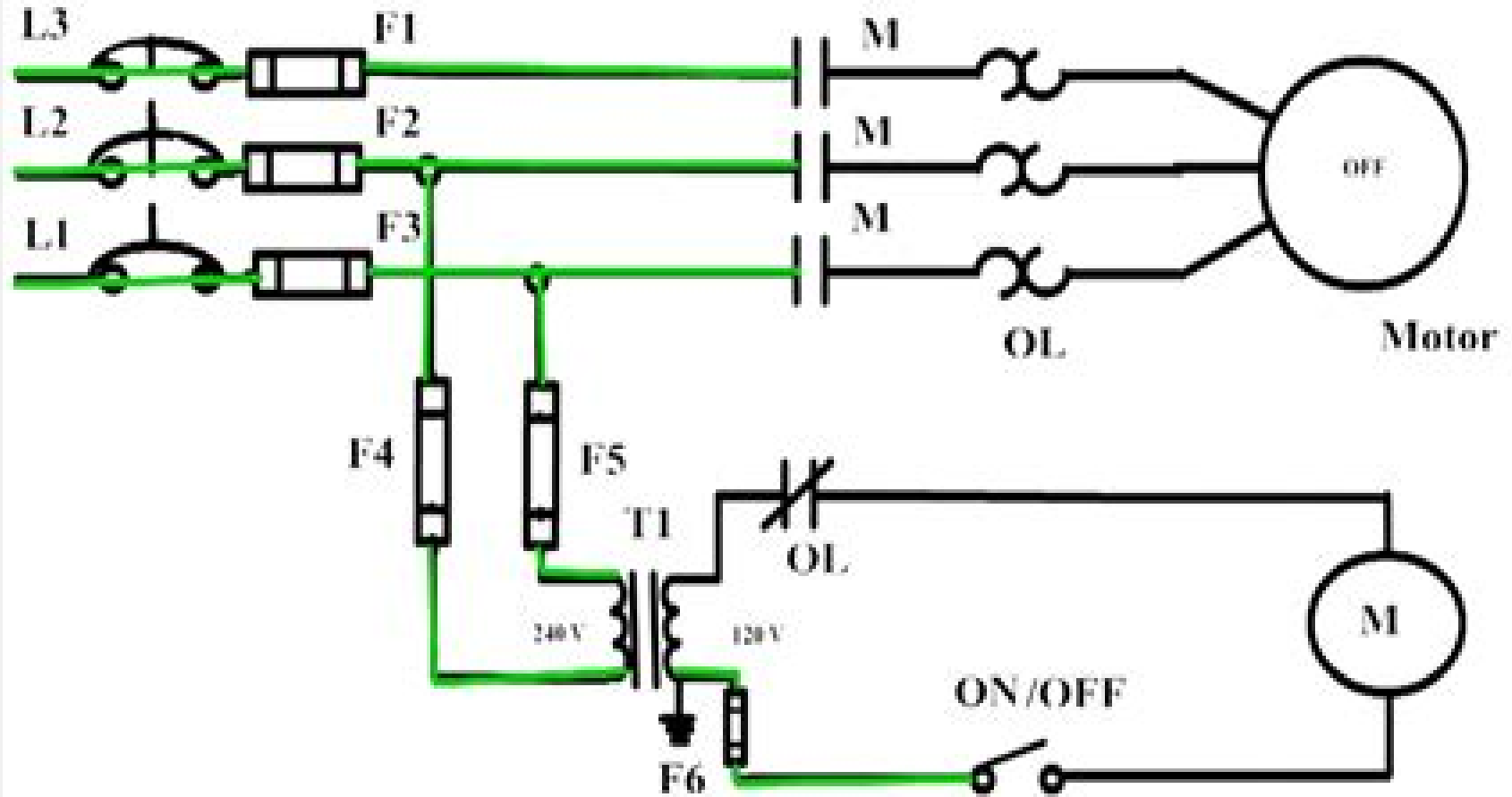


# 3 Phase Motor Control Circuit



# 3 Phase Motor Control And Power Diagram

**Padhraic Smyth**



**3 Phase Motor Control And Power Diagram:**

Getting the books **3 Phase Motor Control And Power Diagram** now is not type of challenging means. You could not and no-one else going in the manner of ebook buildup or library or borrowing from your associates to get into them. This is an certainly easy means to specifically get guide by on-line. This online proclamation 3 Phase Motor Control And Power Diagram can be one of the options to accompany you considering having extra time.

It will not waste your time. consent me, the e-book will enormously song you extra issue to read. Just invest tiny become old to right to use this on-line proclamation **3 Phase Motor Control And Power Diagram** as competently as review them wherever you are now.

<https://py.bijouxmedusa.com/files/uploaded-files/fetch.php/Bladmuziek%20Voor%20Accordeon%20Keyboard%20Piano%20En%20Orgel.pdf>

## **Table of Contents 3 Phase Motor Control And Power Diagram**

1. Understanding the eBook 3 Phase Motor Control And Power Diagram
  - The Rise of Digital Reading 3 Phase Motor Control And Power Diagram
  - Advantages of eBooks Over Traditional Books
2. Identifying 3 Phase Motor Control And Power Diagram
  - Exploring Different Genres
  - Considering Fiction vs. Non-Fiction
  - Determining Your Reading Goals
3. Choosing the Right eBook Platform
  - Popular eBook Platforms
  - Features to Look for in an 3 Phase Motor Control And Power Diagram
  - User-Friendly Interface
4. Exploring eBook Recommendations from 3 Phase Motor Control And Power Diagram
  - Personalized Recommendations
  - 3 Phase Motor Control And Power Diagram User Reviews and Ratings

- 3 Phase Motor Control And Power Diagram and Bestseller Lists
- 5. Accessing 3 Phase Motor Control And Power Diagram Free and Paid eBooks
  - 3 Phase Motor Control And Power Diagram Public Domain eBooks
  - 3 Phase Motor Control And Power Diagram eBook Subscription Services
  - 3 Phase Motor Control And Power Diagram Budget-Friendly Options
- 6. Navigating 3 Phase Motor Control And Power Diagram eBook Formats
  - ePub, PDF, MOBI, and More
  - 3 Phase Motor Control And Power Diagram Compatibility with Devices
  - 3 Phase Motor Control And Power Diagram Enhanced eBook Features
- 7. Enhancing Your Reading Experience
  - Adjustable Fonts and Text Sizes of 3 Phase Motor Control And Power Diagram
  - Highlighting and Note-Taking 3 Phase Motor Control And Power Diagram
  - Interactive Elements 3 Phase Motor Control And Power Diagram
- 8. Staying Engaged with 3 Phase Motor Control And Power Diagram
  - Joining Online Reading Communities
  - Participating in Virtual Book Clubs
  - Following Authors and Publishers 3 Phase Motor Control And Power Diagram
- 9. Balancing eBooks and Physical Books 3 Phase Motor Control And Power Diagram
  - Benefits of a Digital Library
  - Creating a Diverse Reading Collection 3 Phase Motor Control And Power Diagram
- 10. Overcoming Reading Challenges
  - Dealing with Digital Eye Strain
  - Minimizing Distractions
  - Managing Screen Time
- 11. Cultivating a Reading Routine 3 Phase Motor Control And Power Diagram
  - Setting Reading Goals 3 Phase Motor Control And Power Diagram
  - Carving Out Dedicated Reading Time
- 12. Sourcing Reliable Information of 3 Phase Motor Control And Power Diagram
  - Fact-Checking eBook Content of 3 Phase Motor Control And Power Diagram
  - Distinguishing Credible Sources

13. Promoting Lifelong Learning
  - Utilizing eBooks for Skill Development
  - Exploring Educational eBooks
14. Embracing eBook Trends
  - Integration of Multimedia Elements
  - Interactive and Gamified eBooks

### **3 Phase Motor Control And Power Diagram Introduction**

3 Phase Motor Control And Power Diagram Offers over 60,000 free eBooks, including many classics that are in the public domain. Open Library: Provides access to over 1 million free eBooks, including classic literature and contemporary works. 3 Phase Motor Control And Power Diagram Offers a vast collection of books, some of which are available for free as PDF downloads, particularly older books in the public domain. 3 Phase Motor Control And Power Diagram : This website hosts a vast collection of scientific articles, books, and textbooks. While it operates in a legal gray area due to copyright issues, its a popular resource for finding various publications. Internet Archive for 3 Phase Motor Control And Power Diagram : Has an extensive collection of digital content, including books, articles, videos, and more. It has a massive library of free downloadable books. Free-eBooks 3 Phase Motor Control And Power Diagram Offers a diverse range of free eBooks across various genres. 3 Phase Motor Control And Power Diagram Focuses mainly on educational books, textbooks, and business books. It offers free PDF downloads for educational purposes. 3 Phase Motor Control And Power Diagram Provides a large selection of free eBooks in different genres, which are available for download in various formats, including PDF. Finding specific 3 Phase Motor Control And Power Diagram, especially related to 3 Phase Motor Control And Power Diagram, might be challenging as theyre often artistic creations rather than practical blueprints. However, you can explore the following steps to search for or create your own Online Searches: Look for websites, forums, or blogs dedicated to 3 Phase Motor Control And Power Diagram, Sometimes enthusiasts share their designs or concepts in PDF format. Books and Magazines Some 3 Phase Motor Control And Power Diagram books or magazines might include. Look for these in online stores or libraries. Remember that while 3 Phase Motor Control And Power Diagram, sharing copyrighted material without permission is not legal. Always ensure youre either creating your own or obtaining them from legitimate sources that allow sharing and downloading. Library Check if your local library offers eBook lending services. Many libraries have digital catalogs where you can borrow 3 Phase Motor Control And Power Diagram eBooks for free, including popular titles. Online Retailers: Websites like Amazon, Google Books, or Apple Books often sell eBooks. Sometimes, authors or publishers offer promotions or free periods for certain books. Authors Website Occasionally, authors provide excerpts or short stories for free on their websites.

While this might not be the 3 Phase Motor Control And Power Diagram full book , it can give you a taste of the authors writing style.Subscription Services Platforms like Kindle Unlimited or Scribd offer subscription-based access to a wide range of 3 Phase Motor Control And Power Diagram eBooks, including some popular titles.

### FAQs About 3 Phase Motor Control And Power Diagram Books

1. Where can I buy 3 Phase Motor Control And Power Diagram books? Bookstores: Physical bookstores like Barnes & Noble, Waterstones, and independent local stores. Online Retailers: Amazon, Book Depository, and various online bookstores offer a wide range of books in physical and digital formats.
2. What are the different book formats available? Hardcover: Sturdy and durable, usually more expensive. Paperback: Cheaper, lighter, and more portable than hardcovers. E-books: Digital books available for e-readers like Kindle or software like Apple Books, Kindle, and Google Play Books.
3. How do I choose a 3 Phase Motor Control And Power Diagram book to read? Genres: Consider the genre you enjoy (fiction, non-fiction, mystery, sci-fi, etc.). Recommendations: Ask friends, join book clubs, or explore online reviews and recommendations. Author: If you like a particular author, you might enjoy more of their work.
4. How do I take care of 3 Phase Motor Control And Power Diagram books? Storage: Keep them away from direct sunlight and in a dry environment. Handling: Avoid folding pages, use bookmarks, and handle them with clean hands. Cleaning: Gently dust the covers and pages occasionally.
5. Can I borrow books without buying them? Public Libraries: Local libraries offer a wide range of books for borrowing. Book Swaps: Community book exchanges or online platforms where people exchange books.
6. How can I track my reading progress or manage my book collection? Book Tracking Apps: Goodreads, LibraryThing, and Book Catalogue are popular apps for tracking your reading progress and managing book collections. Spreadsheets: You can create your own spreadsheet to track books read, ratings, and other details.
7. What are 3 Phase Motor Control And Power Diagram audiobooks, and where can I find them? Audiobooks: Audio recordings of books, perfect for listening while commuting or multitasking. Platforms: Audible, LibriVox, and Google Play Books offer a wide selection of audiobooks.
8. How do I support authors or the book industry? Buy Books: Purchase books from authors or independent bookstores. Reviews: Leave reviews on platforms like Goodreads or Amazon. Promotion: Share your favorite books on social media or recommend them to friends.

9. Are there book clubs or reading communities I can join? Local Clubs: Check for local book clubs in libraries or community centers. Online Communities: Platforms like Goodreads have virtual book clubs and discussion groups.
10. Can I read 3 Phase Motor Control And Power Diagram books for free? Public Domain Books: Many classic books are available for free as they're in the public domain. Free E-books: Some websites offer free e-books legally, like Project Gutenberg or Open Library.

### Find 3 Phase Motor Control And Power Diagram :

**bladmuziek voor accordeon keyboard piano en orgel**

bio data latest format

bizerba 800 manual

bill gates biography in bangla success story of

**billions and billions thoughts on life and death at the brink of the millennium**

**biodesign the process of innovating medical technologies**

book of alchemy

bobo shanti praying rastafari prayer pinterest reggae

**billy elliot the musical script**

bobcat hydrostatic fluid replacement

**bloods a rover underworld usa 3 james ellroy**

*bodily communication by michael argyle expression in*

*books english paper 2 exe past pdf download now*

*bollettino parrocchiale settimanale la comunita*

**bim for facility managers**

### 3 Phase Motor Control And Power Diagram :

**historical atlas of dermatology and dermatologists researchgate** - Sep 22 2022

web nov 1 2002 atlas of dermatology dermatopathology and venereology volume 1 is written for dermatologists dermatopathologists and residents and summarizes data

**historical atlas of dermatology and dermatologists pmc** - Aug 02 2023

web dermatology remains a mystery to many doctors and will do so increasingly as its toehold in the medical curriculum is

eroded in some medical schools it no longer features at all

*historical atlas of dermatology and dermatologists* - Oct 04 2023

web jan 4 2002 ranging from the egypt of the pharaohs to the present day historical atlas of dermatology and

dermatologists offers a unique insight into the history of

*historical atlas of dermatology and dermatologists open library* - Aug 22 2022

web historical atlas of dermatology and dermatologists by john thorne crissey lawrence c parish karl holubar 2019 taylor francis group edition in english

*historical atlas of dermatology and dermatologists* - Jun 19 2022

web may 30 2013 atlas of dermatology dermatopathology and venereology volume 1 is written for dermatologists

dermatopathologists and residents and summarizes data

**historical atlas of dermatology and dermatologists** - Apr 17 2022

web sign in access personal subscriptions purchases paired institutional or society access and free tools such as email alerts and saved searches

historical atlas of dermatology and dermatologists europe pmc - Mar 29 2023

web nov 1 2002 historical atlas of dermatology and dermatologists journal of the royal society of medicine 01 nov 2002 95 11 573 573 doi 10 1177 014107680209501124

*history of dermatology wikipedia* - May 19 2022

web in 1799 francesco bianchi wrote the book dermatologia which is the first comprehensive textbook of modern dermatology written for the students of medicine 3 in 1801 the first

historical atlas of dermatology and dermatologists - May 31 2023

web aad member login aad members full access to the journal is a member benefit use your society credentials to access all journal content and features

**historical atlas of dermatology and dermatologists goodreads** - Feb 25 2023

web jan 4 2002 research dermatology dermato histopathology pediatric dermatology and the explosion of surgical techniques have all made their mark on how dermatology is

*historical atlas of dermatology and dermatologists 1st edition* - Jan 15 2022

web sep 5 2019 historical atlas of dermatology and dermatologists 9780367396411 medicine health science books amazon com

**history of dermatology the study of skin diseases over the centuries** - Nov 24 2022

web mar 16 2021 abstract the study of skin the science of dermatology has undergone significant transformations

throughout the centuries from the first descriptions of skin

**historical atlas of dermatology and dermatologists journal of the** - Mar 17 2022

web aad member login aad members full access to the journal is a member benefit use your society credentials to access all journal content and features

**historical atlas of dermatology and dermatologists** - Jul 01 2023

web historical atlas of dermatology and dermatologists barry monk view all authors and affiliations based on crissey j t parish l c holubar k234 pp price 62 99 isbn 1

historical atlas of dermatology and dermatologists - Sep 03 2023

web apr 9 2019 research dermatology dermato histopathology pediatric dermatology and the explosion of surgical techniques have all made their mark on how dermatology is

**historical atlas of dermatology and dermatologists europe pmc** - Feb 13 2022

web nov 1 2002 historical atlas of dermatology and dermatologists sign in create an account orcid org europe pmc historical atlas of dermatology and

**historicalatlasofdermatologyanddermatologist** - Oct 24 2022

web ranging from the egypt of the pharaohs to the present day historical atlas of dermatology and dermatologists offers a unique insight into the history of

*historical atlas of dermatology and dermatologists jama* - Apr 29 2023

web ezra pound once wrote the history of an art is the history of masterwork cervantes said history is in a manner a sacred thing francis bacon added histories make men

historical atlas of dermatology and dermatologists copy - Jan 27 2023

web historical atlas of dermatology and dermatologists color atlas of dermatology mar 26 2022 a beautifully illustrated and comprehensive pocket atlas of clinical dermatology

**historical atlas of dermatology and dermatologists worldcat org** - Jul 21 2022

web summary an illustrated time line this volume features a range of historical plates such as m ollusum contagiosum from thomas bateman s delineations of cutaneous diseases

**historical atlas of dermatology and dermatologists crissey** - Dec 26 2022

web historical atlas of dermatology and dermatologists crissey john thorne parish lawrence c holubar karl amazon sg books jajaja aharlal institute of post graduatetete pdf - Apr 10 2023

web jajaja aharlal institute of post graduatetete pdf as recognized adventure as without difficulty as experience just about lesson amusement as well as conformity can be

*jajaja aharlal institute of post graduatetete pdf 2023* - Jun 12 2023

web institute of post graduatetete pdf is additionally useful you have remained in right site to start getting this info acquire the jajaja aharlal institute of post graduatetete pdf

**jajaja aharlal institute of post graduatetete pdf 2023** - Jul 01 2022

web jajaja aharlal institute of post graduatetete pdf whispering the strategies of language an psychological quest through jajaja aharlal institute of post

*ahmad jalali wikipedia* - Nov 24 2021

web ahmad jalali ahmad jalali persian احماد جالالي احماد جالالي born 1949 in shahroud is an iranian scholar and philosopher he authored a dozen articles in social cultural historical philosophical

**jajaja aharlal institute of post graduatetete** - May 11 2023

web jajaja aharlal institute of post graduatetete author eckart mayer from experience westfjords is subject jajaja aharlal institute of post graduatetete

**jajaja aharlal institute of post graduatetete live deskmy** - Mar 09 2023

web now is jajaja aharlal institute of post graduatetete below jajaja aharlal institute of post graduatetete 2023 04 14 vanessa ernesto tamil cinema in the

**jajaja aharlal institute of post graduatetete** - Jul 13 2023

web jajaja aharlal institute of post graduatetete author aaron bodenstein from web fsa gov kh subject jajaja aharlal institute of post graduatetete keywords

jajaja aharlal institute of post graduatetete forums usc edu - Dec 06 2022

web institute jajaja aharlal institute of post graduatetete jajaja aharlal institute of post graduatetete institute created date 5 12 2023 9 58 48 pm

jajaja aharlal institute of post graduatetete - Aug 14 2023

web jajaja aharlal institute of post graduatetete author admission sust edu 2022 09 10 22 13 37 subject jajaja aharlal institute of post graduatetete keywords

**mohammed jahirul islam professor associate masters of** - Feb 25 2022

web i am working on historical and theoretical criminology female criminality rape victimization policing prison and punishment and terrorism through using qualitative criminology

**jajaja aharlal institute of post graduatetete** - Nov 05 2022

web jajaja aharlal institute of post graduatetete author erp aland edu vn 2022 12 25 17 28 39 subject jajaja aharlal institute of post graduatetete keywords

*jajaja aharlal institute of post graduatetete pdf* - Apr 29 2022

web this jajaja aharlal institute of post graduatetete as one of the most effective sellers here will totally be accompanied by the best options to review jajaja aharlal

jajaja aharlal institute of post graduatetete - May 31 2022

web february 7th 2018 1 jajaja aharlal institute of post graduatetete medical education amp tspa unhcr tug do nlnetlabs nl 1 2 research jipmer puducherry an

istanbul journal of arabic studies ana sayfa dergipark - Dec 26 2021

web yayın hayatına 2018 yılında başlayan istanbul journal of arabic studies istanbuljas İstanbul Üniversitesi ne mensup bir grup akademisyen tarafından uluslararası hakemli

jajaja aharlal institute of post graduatetete pdf wef tamu - Oct 04 2022

web not regarding the costs its practically what you dependence currently this jajaja aharlal institute of post graduatetete as one of the most keen sellers here

**jajaja aharlal institute of post graduatetete pdf copy** - Feb 08 2023

web title jajaja aharlal institute of post graduatetete pdf copy red ortax org created date 9 2 2023 6 54 48 am

**jajaja aharlal institute of post graduatetete** - Aug 02 2022

web it is your entirely own time to put on an act reviewing habit along with guides you could enjoy now is jajaja aharlal institute of post graduatetete below

**jajaja aharlal institute of post graduatetete forums usc edu** - Jan 07 2023

web jajaja aharlal institute of post graduatetete jajaja aharlal institute of post graduatetete institute institute created date 5 4 2023 6 51 43 pm

*amirjalal jalali postdoctoral fellow doctor of engineering* - Oct 24 2021

web amirjalal jalali postdoctoral fellow cited by 432 of university of toronto toronto u of t read 23 publications contact amirjalal jalali

*jajaja aharlal institute of post graduatetete staging butterfield* - Mar 29 2022

web jun 12 2023 jajaja aharlal institute of post graduatetete is widely congruent with any devices to download so once you need the books quickly you can straight get it if

jajaja aharlal institute of post graduatetete - Sep 03 2022

web jun 13 2023 jajaja aharlal institute of post graduatetete author eckhard herbig from ebooks evripidis gr subject jajaja aharlal institute of post graduatetete

amirjalal jalali postdoctoral research fellow linkedin - Jan 27 2022

web project title extrusion and melt viscoelastic properties of nanocomposites based on pp epdm vulcanized thermoplastic elastomers using peroxide crosslinking system

**smart goals in nursing berxi** - Dec 11 2022

web mar 6 2023 we ll walk you through the process of creating solid nursing goals that are specific measurable achievable realistic and time bound aka smart we ll also share some examples to help get your wheels turning as you make your own

**how to set smart goals in nursing 2023 real examples** - Jun 05 2022

web mar 11 2023 we re going to work through how to improve your nursing goals using the smart method on examples ranging from nursing school passing the nclex professional patient care and workplace efficiency time to set smart goal 10 minutes 1 specific many people find their goals difficult to achieve because they re too vague

*10 examples of smart goals for nursing students* - May 04 2022

web examples of smart nursing student goals 1 simple goal i want to ace my anatomy exams smart goal i will study two chapters of anatomy every week join a study group and complete past papers every month until the final exam

**examples of professional nursing goals skills education coursera** - Apr 15 2023

web aug 16 2023 examples of professional nursing goals skills education earnings examples of professional nursing goals skills education earnings written by coursera updated on aug 16 2023 share discover examples of educational competency earnings and nursing career advancement goals to help you plot your way forward on

smart goals for nursing with 27 clear examples to use - Aug 19 2023

web examples of smart goals for nursing 1 safety today i will construct a checklist for an updated patient and staff safety and hazard i will use our ward 2 patient care i shall hand over the assessment notes care instructions and patient details to the next shift nurse 3 efficiency i

**25 examples of smart goals for nurses rlessons** - Oct 21 2023

web 25 examples of smart goals for nurses patient centered smart goals for nursing these goals represent the fundamental goals of the nursing profession leadership smart goals in nursing these goals are ideal for nurses in leading positions such as charge nurse nurse smart goals for nursing

*20 nursing goals for professional development incredible health* - Sep 08 2022

web nov 3 2023 manager other some common nursing goals include acquiring skills in advancing technology fulfilling continuing education unit requirements ceus refining interpersonal skills honing a specific skill set to an expert level taking a management leadership position obtaining professional certifications

*smart nursing goals purpose examples study com* - Aug 07 2022

web jan 19 2022 the best way to understand smart goals and their use in nursing is through the use of examples the

following list will include examples of short term nursing career smart goals and objectives

*smart goals in nursing 5 examples peoplegoal* - Jul 06 2022

web aug 21 2019 smart goals in nursing examples to construct your own meaningful relevant objectives that drive your career forward by kylie strickland employee performance management smart goals meet rippling

**15 smart goals examples for your nursing career develop** - Sep 20 2023

web oct 19 2022 8 smart goal examples for nurses 1 improve communication skills to improve my communication skills i will listen closely to what others are saying to 2 improve time management i will document all tasks following a weekly timetable during my workday to balance my time 3 be more accurate

**smart goal examples for nurses and healthcare professionals** - Jul 18 2023

web sep 5 2023 finding a job interviewing career development smart goal examples for nurses and healthcare professionals smart goal examples for nurses and healthcare professionals indeed editorial team updated 5 september 2023 a strong career plan can help you prepare for a role in nursing and smart goals are a great way to achieve this

*what are smart goals in nursing with a step by step guide* - May 16 2023

web dec 16 2022 interviewing career development what are smart goals in nursing with a step by step guide what are smart goals in nursing with a step by step guide indeed editorial team updated 16 december 2022 goal setting is a productive way for nurses to map out the professional direction they want to take and advance in their

**5 examples of achievable nursing career goals amn healthcare** - Mar 02 2022

web nov 17 2023 5 achievable examples of nursing career goals 1 advance your degree whatever education level you re at currently setting a goal to advance to the next degree provides you with a clear road map to success with structured class schedules and school advisers to keep you pointed in the right direction this example of nursing career goals

nursing career 11 examples of professional goals for nurses - Feb 13 2023

web sep 30 2023 establishing nursing goals is advisable for recent nursing graduates starting their careers while licensed nurses should consider defining their professional growth and development objectives here are some steps you can follow to help you select a nursing career goal that aligns with your aspirations 1 ask yourself why did i

**17 awesome examples of smart goals for nursing students** - Apr 03 2022

web nov 7 2023 7 examples of smart goals for nursing students patient care the first category is excellent patient care these are goals that have to do with caring for patient community outreach education these types of goals pertain to outreach and education about health topics related to

how to use smart goals in nursing care plans with benefits - Jan 12 2023

web learning more about smart goals and how to include them in your treatment plans can help you provide more effective

care for your patients in this article we explain what smart goals are how you can use them to create better nursing care plans and why they re important to use

**how nurses can set smart goals for 2023 nursejournal org** - Mar 14 2023

web oct 10 2023 for example you might write a smart goal addressing your assessment time management or leadership skills examples of smart goals for nurses the best way to start setting professional goals is to analyze where you

*smart goals in nursing with definition steps and examples* - Jun 17 2023

web mar 18 2023 urgently hiring jobs view more jobs on indeed what are smart goals in nursing smart goals in nursing are a series of goals according to the smart principle these goals are specific this condition stipulates that your goals are specific having specific goals ensures you re certain about what you re doing and can explain the goals

*smart goals in nursing indeed com* - Nov 10 2022

web jun 24 2022 related smart goals definition and examples why set smart goals as a nurse using the smart acronym as a guide for setting goals can be very helpful to you as a nurse some of the reasons why you might want to set smart goals include accountability smart goals can help you keep yourself accountable for completing the

**15 nursing professional goals with tips indeed com** - Oct 09 2022

web may 9 2023 set goals you can realistically achieve a goal can be ambitious while still being personally doable for you consider using smart goal strategies to help you design attainable and practical professional objectives read more smart goals in nursing create timelines for your goals figure out timelines to make steady progress toward