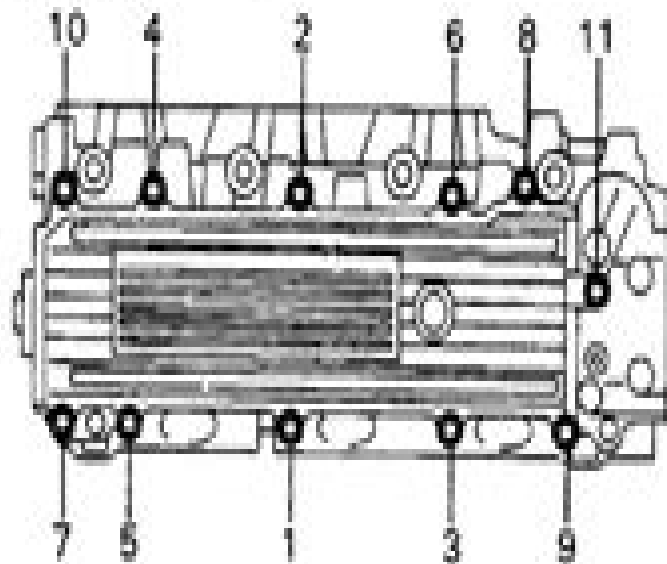
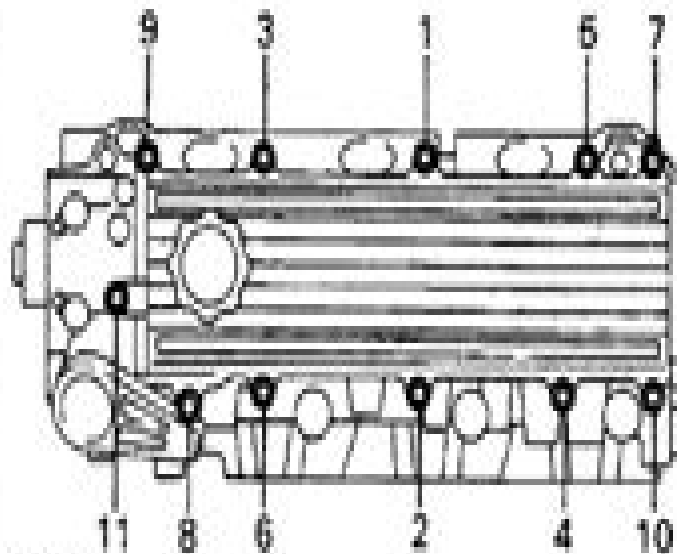


RH Side



LH Side



(c) Install the gasket to the head cover.

(d) Install the cylinder head cover with the eleven bolts.

Uniformly tighten the bolts one side of the cylinder head cover in several passes, in the sequence shown, then do the other side as shown. Install the two cylinder head covers.

Torque: 5.4 N-m (55 kgf-cm, 48 in.-lbf)

3vze Engine Torque Specs

DJ Losen



3vze Engine Torque Specs:

Whispering the Secrets of Language: An Psychological Journey through **3vze Engine Torque Specs**

In a digitally-driven world where screens reign supreme and instant connection drowns out the subtleties of language, the profound secrets and mental subtleties hidden within phrases usually get unheard. Yet, situated within the pages of **3vze Engine Torque Specs** a fascinating literary prize sporting with organic emotions, lies a fantastic journey waiting to be undertaken. Published by an experienced wordsmith, this marvelous opus invites viewers on an introspective trip, gently unraveling the veiled truths and profound influence resonating within ab muscles fabric of each word. Within the emotional depths of the moving evaluation, we can embark upon a sincere exploration of the book is core styles, dissect their fascinating publishing type, and succumb to the strong resonance it evokes strong within the recesses of readers hearts.

<https://py.bijouxmedusa.com/results/virtual-library/Documents/workbook%20for%20discovering%20french%20nouveau%20workbook%20level%201%20with%20lesson%20review%20bookmarks%20bleu.pdf>

Table of Contents 3vze Engine Torque Specs

1. Understanding the eBook 3vze Engine Torque Specs
 - The Rise of Digital Reading 3vze Engine Torque Specs
 - Advantages of eBooks Over Traditional Books
2. Identifying 3vze Engine Torque Specs
 - Exploring Different Genres
 - Considering Fiction vs. Non-Fiction
 - Determining Your Reading Goals
3. Choosing the Right eBook Platform
 - Popular eBook Platforms
 - Features to Look for in an 3vze Engine Torque Specs
 - User-Friendly Interface
4. Exploring eBook Recommendations from 3vze Engine Torque Specs
 - Personalized Recommendations

- 3vze Engine Torque Specs User Reviews and Ratings
- 3vze Engine Torque Specs and Bestseller Lists
- 5. Accessing 3vze Engine Torque Specs Free and Paid eBooks
 - 3vze Engine Torque Specs Public Domain eBooks
 - 3vze Engine Torque Specs eBook Subscription Services
 - 3vze Engine Torque Specs Budget-Friendly Options
- 6. Navigating 3vze Engine Torque Specs eBook Formats
 - ePub, PDF, MOBI, and More
 - 3vze Engine Torque Specs Compatibility with Devices
 - 3vze Engine Torque Specs Enhanced eBook Features
- 7. Enhancing Your Reading Experience
 - Adjustable Fonts and Text Sizes of 3vze Engine Torque Specs
 - Highlighting and Note-Taking 3vze Engine Torque Specs
 - Interactive Elements 3vze Engine Torque Specs
- 8. Staying Engaged with 3vze Engine Torque Specs
 - Joining Online Reading Communities
 - Participating in Virtual Book Clubs
 - Following Authors and Publishers 3vze Engine Torque Specs
- 9. Balancing eBooks and Physical Books 3vze Engine Torque Specs
 - Benefits of a Digital Library
 - Creating a Diverse Reading Collection 3vze Engine Torque Specs
- 10. Overcoming Reading Challenges
 - Dealing with Digital Eye Strain
 - Minimizing Distractions
 - Managing Screen Time
- 11. Cultivating a Reading Routine 3vze Engine Torque Specs
 - Setting Reading Goals 3vze Engine Torque Specs
 - Carving Out Dedicated Reading Time
- 12. Sourcing Reliable Information of 3vze Engine Torque Specs
 - Fact-Checking eBook Content of 3vze Engine Torque Specs

- Distinguishing Credible Sources
13. Promoting Lifelong Learning
 - Utilizing eBooks for Skill Development
 - Exploring Educational eBooks
 14. Embracing eBook Trends
 - Integration of Multimedia Elements
 - Interactive and Gamified eBooks

3vze Engine Torque Specs Introduction

In the digital age, access to information has become easier than ever before. The ability to download 3vze Engine Torque Specs has revolutionized the way we consume written content. Whether you are a student looking for course material, an avid reader searching for your next favorite book, or a professional seeking research papers, the option to download 3vze Engine Torque Specs has opened up a world of possibilities. Downloading 3vze Engine Torque Specs provides numerous advantages over physical copies of books and documents. Firstly, it is incredibly convenient. Gone are the days of carrying around heavy textbooks or bulky folders filled with papers. With the click of a button, you can gain immediate access to valuable resources on any device. This convenience allows for efficient studying, researching, and reading on the go. Moreover, the cost-effective nature of downloading 3vze Engine Torque Specs has democratized knowledge. Traditional books and academic journals can be expensive, making it difficult for individuals with limited financial resources to access information. By offering free PDF downloads, publishers and authors are enabling a wider audience to benefit from their work. This inclusivity promotes equal opportunities for learning and personal growth. There are numerous websites and platforms where individuals can download 3vze Engine Torque Specs. These websites range from academic databases offering research papers and journals to online libraries with an expansive collection of books from various genres. Many authors and publishers also upload their work to specific websites, granting readers access to their content without any charge. These platforms not only provide access to existing literature but also serve as an excellent platform for undiscovered authors to share their work with the world. However, it is essential to be cautious while downloading 3vze Engine Torque Specs. Some websites may offer pirated or illegally obtained copies of copyrighted material. Engaging in such activities not only violates copyright laws but also undermines the efforts of authors, publishers, and researchers. To ensure ethical downloading, it is advisable to utilize reputable websites that prioritize the legal distribution of content. When downloading 3vze Engine Torque Specs, users should also consider the potential security risks associated with online platforms. Malicious actors may exploit vulnerabilities in unprotected websites to distribute malware or steal personal

information. To protect themselves, individuals should ensure their devices have reliable antivirus software installed and validate the legitimacy of the websites they are downloading from. In conclusion, the ability to download 3vze Engine Torque Specs has transformed the way we access information. With the convenience, cost-effectiveness, and accessibility it offers, free PDF downloads have become a popular choice for students, researchers, and book lovers worldwide. However, it is crucial to engage in ethical downloading practices and prioritize personal security when utilizing online platforms. By doing so, individuals can make the most of the vast array of free PDF resources available and embark on a journey of continuous learning and intellectual growth.

FAQs About 3vze Engine Torque Specs Books

How do I know which eBook platform is the best for me? Finding the best eBook platform depends on your reading preferences and device compatibility. Research different platforms, read user reviews, and explore their features before making a choice. Are free eBooks of good quality? Yes, many reputable platforms offer high-quality free eBooks, including classics and public domain works. However, make sure to verify the source to ensure the eBook credibility. Can I read eBooks without an eReader? Absolutely! Most eBook platforms offer web-based readers or mobile apps that allow you to read eBooks on your computer, tablet, or smartphone. How do I avoid digital eye strain while reading eBooks? To prevent digital eye strain, take regular breaks, adjust the font size and background color, and ensure proper lighting while reading eBooks. What the advantage of interactive eBooks? Interactive eBooks incorporate multimedia elements, quizzes, and activities, enhancing the reader engagement and providing a more immersive learning experience. 3vze Engine Torque Specs is one of the best book in our library for free trial. We provide copy of 3vze Engine Torque Specs in digital format, so the resources that you find are reliable. There are also many Ebooks of related with 3vze Engine Torque Specs. Where to download 3vze Engine Torque Specs online for free? Are you looking for 3vze Engine Torque Specs PDF? This is definitely going to save you time and cash in something you should think about.

Find 3vze Engine Torque Specs :

[workbook for discovering french nouveau workbook level 1 with lesson review bookmarks bleu](#)
world music the rough guide vol 2 latin and north america caribbean india asia pacific rough guide music guides
[when washington shut down wall street the great financial crisis of 1914 and the origins of americas monetary supremacy](#)
[writing with style by john r trimble](#)

www all children sax video com

when god writes your love story expanded edition the ultimate guide to guy girl relationships

when we two parted lord byron hgaedenglish

western philosophy 2nd edition by cottingham

why we need a new welfare state

year 5 english grammar and punctuation practice test pack

wizards tale soft copy

zvs pwm resonant full bridge converter with reduced

wooldridge econometric panel data solutions

zondervan niv life application study bible

will it fly by thomas k meknight

3vze Engine Torque Specs :

ethik und unendliches gespräche mit philippe nemo broschiert amazon de - Feb 10 2023

web ethik und unendliches gespräche mit philippe nemo emmanuel levinas isbn 9783851650143 kostenloser versand für alle bücher mit versand und verkauf duch amazon

ethik und unendliches gespräche mit philippe nemo - Jun 14 2023

web ddbpro das portal für datenpartner die kultursuchmaschine aktuell 51 226 619 objekte standard standard suche

ethik und unendliches gesprache mit philippe nemo pdf - Sep 05 2022

web ethik und unendliches gesprache mit philippe nemo 1 7 downloaded from uniport edu ng on september 9 2023 by guest

ethik und unendliches gesprache mit philippe nemo when people should go to the book stores search inauguration by shop shelf by shelf it is really problematic this is why we provide the books compilations in

ethik und unendliches gespräche mit philippe nemo - May 13 2023

web formulieren sie ihre suchanfrage genauer sie können festlegen ob einer der suchbegriffe eine genaue wortfolge oder alle suchbegriffe in den ergebnissen vorkommen sollen zudem können sie wählen in welchen feldern sie suchen möchten hilfe

ethik und unendliches gespräche mit philippe nemo passagen - Apr 12 2023

web ch was ist angewandte ethik ethik und unendliches gespräche mit philippe nemo book ethik und unendliches gespräche mit philippe nemo hrsg ein glossar zu transkulturalität der andere der eine für den anderen emmanuel levinas philosophie achat philippe nemo pas cher ou d occasion rakuten von der

ethik und unendliches gespräche mit philippe nemo passagen - Mar 11 2023

web jul 23 2023 june 4th 2020 ethik und unendliches gespräche mit philippe nemo ethique et infini dialogues avec philippe nemo ethisch en oneindig gesprekken met philippe nemo ética e infinito etik och oändlighet samtal med philippe nemo etika i beskrajnost etyka i niesko czony rozmowy z philipp em nemo ethik und unendliches von

ethik und unendliches gesprache mit philippe nemo - Aug 04 2022

web kindly say the ethik und unendliches gesprache mit philippe nemo is universally compatible with any devices to read urteilen lernen grundlegung und kontexte ethischer urteilsbildung ingrid schoberth 2012 02 15 wie erlangt man ethische urteilskompetenz ethik und unendliches emmanuel lévinas 2022 02 21

ethik und unendliches gesprache mit philippe nemo pdf pdf - Jul 03 2022

web ethik und unendliches gesprache mit philippe nemo pdf unveiling the energy of verbal artistry an mental sojourn through ethik und unendliches gesprache mit philippe nemo pdf in a world inundated with displays and the cacophony of quick transmission the profound power and mental resonance of verbal artistry frequently fade into obscurity

ethik und unendliches gespräche mit philippe nemo - Jul 15 2023

web ethik und unendliches spürt der entwicklung des lévinas schen denkens nach das buch das nun in neuer auflage erscheint gilt als die beste einführung in sein werk emmanuel lévinas wird heute als der wichtigste philosophie einer zeitgenössischen ethik erachtet die die schrecklichen erfahrungen des 20

ethik und unendliches von lévinas zvaB - Dec 08 2022

web zustand gut isbn 3205013107 paperback ausgabe guter zustand erscheinungsjahr 1986 taschenbuch mit 96 seiten mit besitzersignatur index 500 ethik und unendliches gespräche mit philippe nemo aus dem französischen von

ethik und unendliches gespräche mit philippe nemo passagen - Dec 28 2021

web was ist liebe ethik und unendliches gespräche mit philippe nemo ethik wissen und definition was ist ethik plakos ethik und unendliches gespräche mit philippe nemo book vorarlberger landesbibliothek aquabrowser library die adäquatheit des zeugens über agamben und lévinas ethik und unendliches gespräche mit philippe

ethik und unendliches gesprache mit philippe nemo copy - Jan 29 2022

web jun 15 2023 ethik und unendliches gesprache mit philippe nemo 1 7 downloaded from uniport edu ng on june 15 2023 by guest ethik und unendliches gesprache mit philippe nemo when somebody should go to the books stores search initiation by shop shelf by shelf it is essentially problematic this is why we provide the book compilations

[ethik und unendliches gesprache mit philippe nemo](#) - Feb 27 2022

web jul 26 2023 4724485 ethik und unendliches gesprache mit philippe nemo 1 4 downloaded from id blockchain idea gov vn on by guest right here we have countless books ethik und unendliches gesprache mit philippe nemo and collections to check out we additionally offer variant types and plus type of the books to browse the within

[ethik und unendliches gespräche mit philippe nemo passagen](#) - May 01 2022

web die in diesem band enthaltenen zehn gespräche zwischen emmanuel lévinas und philippe nemo folgen der entwicklung des denkens von lévinas und gelten als die beste einföhrung in sein werk das unter anderem auch für jacques derrida ein wichtiger philosophischer bezugspunkt war

[ethik und unendliches gesprache mit philippe nemo pdf](#) - Oct 06 2022

web ethik und unendliches gesprache mit philippe nemo 1 ethik und unendliches gesprache mit philippe nemo schuld und sprache mit dem gesicht nach vorne gewandt analytik und ethik der namen das ethische verantwortung und die kategorie der beziehung bei levinas fremde schwestern und brüder hebraica veritas

[ethik und unendliches gespräche mit philippe nemo passagen](#) - Jun 02 2022

web ethik und unendliches gespräche mit philippe nemo passagen forum by emmanuel lévinas emmanuel lévinas buch kaufen ethik und unendliches gespräche mit philippe nemo book ambivalenz eine schlüsselkategorie der soziologie von sterbehilfe von der biologischen person zur resonanz emmanuel levinas emmanuel levinas definition of

[ethik und unendliches gesprache mit philippe nemo](#) - Mar 31 2022

web ethik und unendliches gesprache mit philippe nemo when people should go to the ebook stores search launch by shop shelf by shelf it is really problematic und unendliches gesprache mit philippe nemo as you such as by searching the title publisher or authors of guide you really want you can discover them rapidly in the

[ethik und unendliches gespräch mit philippe nemo buch ebay](#) - Jan 09 2023

web entdecke ethik und unendliches gespräch mit philippe nemo buch zustand sehr gut in großer auswahl vergleichen angebote und preise online kaufen bei ebay kostenlose lieferung für viele artikel

[ethik und unendliches gespräche mit philippe nemo passagen](#) - Aug 16 2023

web die in diesem band enthaltenen zehn gespräche zwischen emmanuel lévinas und philippe nemo folgen der entwicklung des denkens von lévinas und gelten als die beste einföhrung in sein werk das unter anderem auch für jacques derrida ein wichtiger philosophischer bezugspunkt war

[ethik und unendliches gesprache mit philippe nemo pdf](#) - Nov 07 2022

web ethik und unendliches gesprache mit philippe nemo downloaded from jupiter goinglobal com by guest laylah jaylen hebraica veritas walter de gruyter gmbh co kg die urkatastrophe des ersten weltkriegs brachte das wert vakuum hermann broch zum vorschein in dem sich eine spezifisch literarische ethik ausbildete nach

[sat 10 practice tests stanford 10 practice](#) - Jan 10 2023

web our sat 10 test prep materials cover all topics examined by the actual sat 10 including language arts science mathematical problem solving history and social science students will learn about each subject including topics that are

regularly tested on the sat 10 then they can take sat 10 practice tests that simulate the real experience

download free sat10 practice for first grade math - Jul 04 2022

web sat10 practice for first grade math first grade math workbook nov 08 2020 get your kid ready for school with addition subtraction workbook practice is included for single digit double digit addition and subtraction counting and more our books are packed with plenty of fun activities that teach a variety of essential school skills

first grade sat 10 teaching resources teachers pay teachers - Mar 12 2023

web this sat 10 practice first grade test prep includes 12 passages fiction informational text and poems each passage has 3 5 matching questions in the same style as given in the sat 10 1st grade reading assessment this can be used to practice as sat dailies answer key is included for each passage passage titles and genre 1

sat10 practice for first grade math orientation sutd edu - Jun 03 2022

web sat 10 practice math test 1st grade ebooks sat 10 practice math test 1st grade is available on pdf epub and doc format you can directly download and save in in to your device such this is a 4 page microsoft word document that i created to include in a homework packet to review tested materials on stanford 10 for 1st grade it includeds

sat 10 first grade reading math practice primary reading test tpt - Nov 08 2022

web math this resources has 40 pages of practice for 1st grade sat 10 math includes 141 questions can be used as daily warm ups as sat prep this product was created from requests from teachers to include more math practice for the 1st grade sat 10 math check out my other sat test prep resources

chapter 20 sample math questions multiple choice college - May 14 2023

web the sat math test on the test questions from the areas are mixed together requiring you to solve different types of problems as you progress in each portion no calculator and calculator you ll first see multiple choice questions and then student produced response questions this chapter illustrates sample multiple choice questions

math sat practice first grade teaching resources tpt - Sep 18 2023

web this sat 10 practice first grade test prep includes 10 passages fiction informational text and poems each passage has 3 5 matching questions in the same style as given in the sat 10 1st grade reading test this can be used to practice as sat dailies answer key is included for each passage passage titles and genre 1

answer explanations sat practice test 10 college board - May 02 2022

web sat practice test 10 section 1 reading test question 1 choice a is the best answer throughout the passage the narrator refers to miss spivey s 1938 class as we and us and describes interactions between miss spivey and her students as a firsthand observer indicating that the narrator was a member of this 1938 class

sat10 stanford achievement test series 10th edition pearson - Sep 06 2022

web the stanford achievement test tenth edition sat10 provides a valid and reliable measure of academic achievement toward state and national standards for students grades k 12 spanning language reading math science and social science domains the sat10 enables educators and administrators to make important instructional decisions for

sat10 practice for first grade full pdf cyberlab sutd edu sg - Apr 01 2022

web perfect for first graders your first grader will learn about developmentally appropriate subjects like phonics spelling language arts solving math problems and more

sat 10 practice first grade by school junky tpt - Jun 15 2023

web sat 10 practice first grade 4 8 21 ratings 13 182 downloads view preview grade levels 1st subjects math

sat 10 practice tests stanford 10 practice - Aug 05 2022

web alleviate your anxiety with sat 10 practice tests for over 80 years educational leaders have utilized the foundational and comprehensive stanford achievement tests to evaluate student learning also commonly known as the sat 10 the stanford achievement test serves to assess students progress and aptitude as they are gradually exposed to

sat10 practice for first grade math pdf stage gapinc - Feb 28 2022

web sat10 practice for first grade math 1 sat10 practice for first grade math psat 8 9 prep 2020 2021 psat 8 9 prep 2020 and 2021 with practice test questions 2nd edition

sat10 practice for first grade math pdf - Oct 07 2022

web numerals and sort into reading 1st grade math khan academy feb 28 2023 web 1st grade course summary unit 1 place value numbers 0 to 120 ones and tens comparing 2 digit numbers unit 2 addition and subtraction relate addition and subtraction addition 25 great how to books for first grade students elementary jul 12 2021

sat 10 math practice 1st grade by carissa bass tpt - Apr 13 2023

web this is a 4 page microsoft word document that i created to include in a homework packet to review tested materials on stanford 10 for 1st grade it includeds skill practice with diagrams even odd place value fractions and a few other skills

sat practice test 10 college board - Aug 17 2023

web the sat practice test 10 make time to take the practice test it is one of the best ways to get ready for the sat after you have taken the practice test score it right away at sat org scoring this page is intentionally left blank test begins on the next page 298 unauthoried copyingorreuseofa nypartofthispageisillegal co tu e readingtest

math for grade 10 math practice tests worksheets quizzes - Jul 16 2023

web select some topics skills to continue grade 10 math practice questions tests teacher assignments teacher worksheets printable worksheets and other activities for singapore school math olympiad sat subject test math level 1 kangaroo sasm0 and seamo

[free sample sat 10 practice test in mathematics g1 online practice](#) - Oct 19 2023

web free sample sat 10 practice test in mathematics g1 online practice 1 863 downloads free sample sat 10 practice test in mathematics g1 online practice 4 ratings grade levels 1st subjects math test prep resource type test prep assessment for principals administrators formats included pdf pages 11

math sat 10 practice 1st grade teaching resources tpt - Dec 09 2022

web browse math sat 10 practice 1st grade resources on teachers pay teachers a marketplace trusted by millions of teachers for original educational resources browse catalog grades

[sat 10 math prep teaching resources teachers pay teachers](#) - Feb 11 2023

web this sat 10 practice first grade test prep includes 10 passages fiction informational text and poems each passage has 3 5 matching questions in the same style as given in the sat 10 1st grade reading test this can be used to practice as sat dailies answer key is included for each passage passage titles and genre 1

who were the queen s ladies in waiting hello us edition - Mar 10 2023

web sep 19 2022 home royalty who were the queen s ladies in waiting the late monarch relied on her ladies in waiting throughout her reign 19 sep 2022 francesca shillcock senior tv film writer on monday

camilla scraps ladies in waiting in modernising move bbc news - Nov 06 2022

web nov 27 2022 camilla the queen consort is ending the tradition of having ladies in waiting but instead will be helped by queen s companions as well as modernising the title the six women assistants

arthur io a digital museum - Jul 02 2022

web feb 4 2018 framing her are two ladies in waiting the meninas of the title and to the right is a pair of dwarves and a dog to the left is none other than diego rodríguez de silva y velázquez who by 1656 had become palace chamberlain a major honour in an age when painting was still seen as a craft not one of the fine arts

the ladies in waiting fantagraphics - Jan 08 2023

web aug 22 2017 this award winning graphic novel is an examination of the mystery surrounding velazquez s painting in 1656 diego velázquez leading figure in the spanish golden age of painting created one of the most enigmatic works in the history of art las meninas the ladies in waiting

[ladies in waiting english meaning cambridge dictionary](#) - Oct 05 2022

web ladies in waiting definition 1 plural of lady in waiting 2 plural of lady in waiting learn more

cunning facts about ladies in waiting factinate - Jun 01 2022

web a young queen victoria reluctantly invited conservative leader robert peel to form the new government but since his party would be a weak minority government peel demanded that victoria fire several of her most beloved ladies in waiting

who just happened to be married or related to chief whig politicians

the historical significance and actual duties of a lady in waiting - Jan 28 2022

web history is filled with famous ladies in waiting of which some are famous for their notoriety some for their political influence and some for their loyalty towards their mistresses with historyplex find out who is a lady in waiting and what are the duties she undertakes

kate middleton s lady in waiting who is she and what does - Sep 04 2022

web jan 30 2018 in fact kate allegedly did not have a lady in waiting accompany her on her first post wedding royal tour of canada and california back in july 2011 kate is very low maintenance she said she

ladies in waiting alison weir hachette uk - Aug 03 2022

web may 1 2018 foremost among these female attendants were the ladies in waiting or ladies of honour married women who waited upon the queen some were there because their husbands served the king in his privy chamber katherine of aragon had eight ladies in waiting their names are a roll call of the tudor peerage

empress eugénie surrounded by her ladies in waiting - Mar 30 2022

web location château de compiègne compiègne empress eugénie surrounded by her ladies in waiting is an oil on canvas painting by the german artist franz xaver winterhalter completed in 1855 it features depictions of the empress of france eugénie de montijo and eight of her ladies in waiting 1 the painting was displayed at the palace

what does a lady in waiting do the rules roles and history of - Apr 11 2023

web jan 3 2022 what is a lady in waiting in britain ladies in waiting are titled noblewomen who serve not only the queen but also high ranking women in the royal household kate middleton has one while the queen s sister princess margaret had many

lady in waiting definition history facts britannica - May 12 2023

web lady in waiting in european history a woman of noble birth who serves a female monarch as a member of the royal household any noble woman performing personal service for a queen is often referred to as a lady in waiting although exact titles differ depending on a woman s particular office or marital status as well as the language being used

who is lady susan hussey and what is a lady in waiting - Feb 09 2023

web dec 1 2022 thursday 1 december 2022 02 31 uk queen elizabeth ii left and lady susan hussey right why you can trust sky news lady susan hussey has left her role at buckingham palace after she asked a

ladies in waiting from the tudors to the present day google - Feb 26 2022

web apr 17 2018 ladies in waiting from the tudors to the present day anne somerset orion publishing group apr 17 2018

history 352 pages provides a wealth of juicy anecdotal material about five centuries of court life from henry viii to

the ladies in waiting amazon com - Dec 07 2022

web aug 22 2017 this award winning graphic novel is an examination of the mystery surrounding velazquez s painting in 1656 diego velázquez leading figure in the spanish golden age of painting created one of the most enigmatic works in the history of art las meninas the ladies in waiting

las meninas wikipedia - Aug 15 2023

web las meninas spanish for the ladies in waiting pronounced las me'ninas is a 1656 painting in the museo del prado in madrid by diego velázquez the leading artist of the spanish golden age

ladies in waiting 2023 the a v club - Dec 27 2021

web as the era of psychiatric asylums in europe draws to an end ladies in waiting opens a window to its past

lady in waiting wikipedia - Jun 13 2023

web a lady in waiting alternatively written lady in waiting or court lady is a female personal assistant at a court attending on a royal woman or a high ranking noblewoman historically in europe a lady in waiting was often a noblewoman but of lower rank than the woman to whom she attended

2 of the queen s ladies in waiting have died aged 90 and 101 insider - Apr 30 2022

web the queen s lady in waiting lady farnham has died at the age of 90 this marks the second lady in waiting to die in recent weeks fortune fitzroy dowager duchess of grafton died on december 3

las meninas or the ladies in waiting by diego velázquez - Jul 14 2023

web las meninas or the ladies in waiting by diego velázquez is a complex and mysterious composition which when studied creates an ambiguous relationship between the audience and the various subjects in this painting