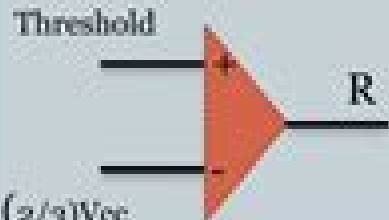
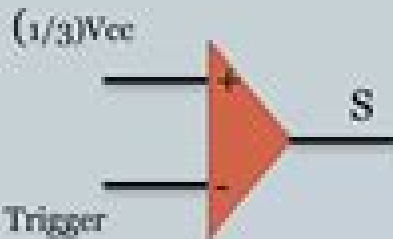


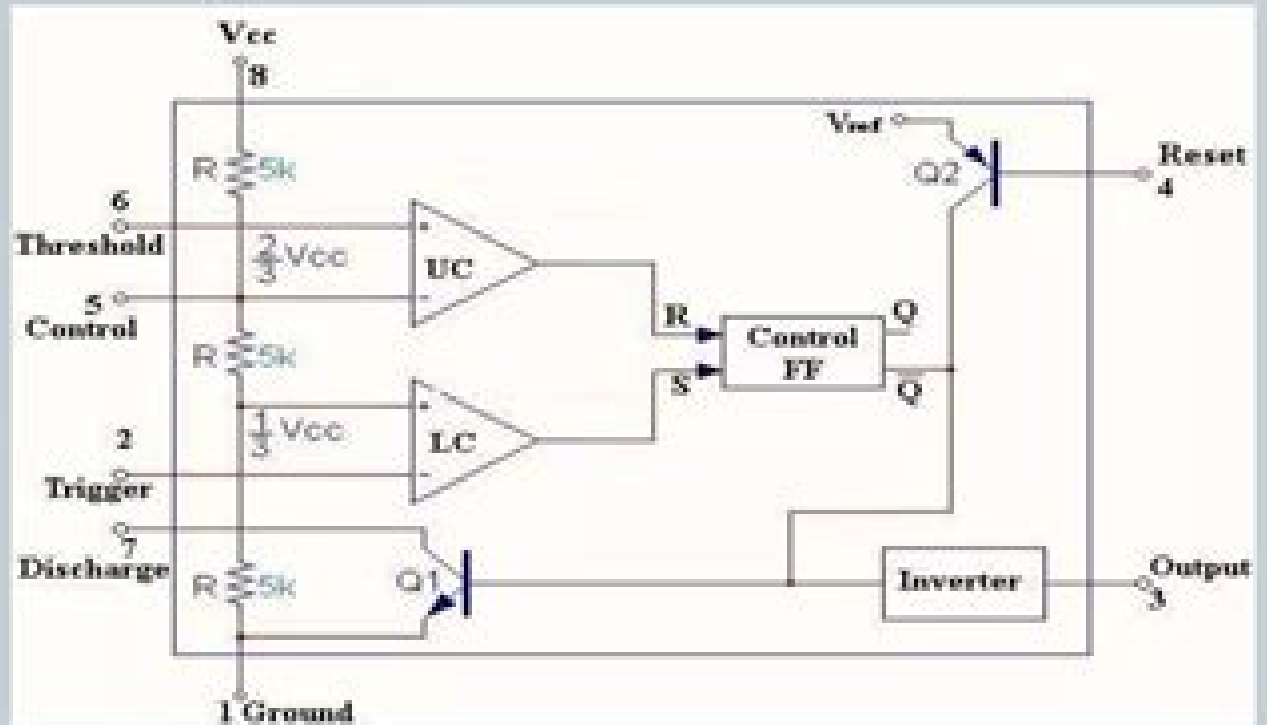
Functional diagram of 555 timer



Threshold $>$ $(2/3)V_{cc} \Rightarrow R = \text{logic '1'}$
Threshold $<$ $(2/3)V_{cc} \Rightarrow R = \text{logic '0'}$



Trigger $<$ $(1/3)V_{cc} \Rightarrow S = \text{logic '1'}$
Trigger $>$ $(1/3)V_{cc} \Rightarrow S = \text{logic '0'}$



555 Timer And Its Applications

David F. Stout



555 Timer And Its Applications:

555 Timer and Its Applications M. C. Sharma, 1992 Table of Contents 1 Photo Timer 2 Touch Plate Controller 3 Auto Wiper Control 4 Automatic headlights Turn off 5 Tiny Flasher 6 Solid State Flasher 7 Sense of Time tester 8 Square Wave Generator 9 Linear Saw Tooth Generator 10 Warble Tone Generator 11 Delayed Automatic Power Off 12 Delayed Automatic Power On 13 Ni Cd Battery Charger 14 Wide Range Pulse Generator 15 Frequency Divider 16 Missing Pulse Detector 17 Light Operated Relay 18 Temperature Controller 19 Brightness Control of LED Displays 20 Sequential Switching 21 Long Duration Timer and

Sensors and Their Applications XII S. J. Prosser, E. Lewis, 2003-09-01 Sensors and Their Applications XII discusses novel research in the areas of sensors and transducers and provides insight into new and topical applications of this technology It covers the underlying physics fabrication technologies and commercial applications of sensors Some of the topics discussed include optical sensing sensing materials no Fundamentals of Electronic Devices and Circuits G.S. Tomar, Ashish Bagwari, 2019-10-10 This book focuses on conceptual frameworks that are helpful in understanding the basics of electronics what the feedback system is the principle of an oscillator the operational working of an amplifier and other relevant topics It also provides an overview of the technologies supporting electronic systems like OP AMP transistor filter ICs and diodes It consists of seven chapters written in an easy and understandable language and featuring relevant block diagrams circuit diagrams valuable and interesting solved examples and important test questions Further the book includes up to date illustrations exercises and numerous worked examples to illustrate the theory and to demonstrate their use in practical designs

Measurement Technology and its Application Prasad Yarlagadda, Yun Hae Kim, 2012-12-13 Selected peer reviewed papers from the 2012 International Conference on Measurement Instrumentation and Automation ICMIA 2012 September 15 16 2012 Guangzhou China **Digital Principles and Applications** Donald P. Leach, Albert Paul Malvino, 1994 Aimed at the student who wishes to learn principles of digital circuits and then apply them to designs This text includes pin outs for more than 60 digital IC chips the use of standard logic symbols along with IEEE standard logic and a review of IEEE symbols in the appendix Emphasis is given to two digital integrated circuit families Transistor Transistor Logic TTL and Complementary Metal Oxide Silicon CMOS logic

Operational Amplifiers and Linear Integrated Circuits Robert F. Coughlin, Frederick F. Driscoll, 1982 This popular book presents a clear and interesting approach for op amp courses while examining four basic active filters illustrating 5 V digital logic ICs and more It provides many detailed practical design and analysis examples intended to relate theory to the workplace Chapter topics include first experiences with an op amp inverting and noninverting amplifiers comparators and controls selected applications of op amps signal generators op amps with diodes differential instrumentation and bridge amplifiers DC performance bias offsets and drift AC performance bandwidth slew rate noise active filters modulating demodulating and frequency changing with the multiplier integrated circuit timers digital to analog converters analog to digital converters and

power supplies For design engineers rs **BTEC First Engineering** Michael H. Tooley, Mike Tooley, 2010 This course book covers the compulsory core units of the 2010 BTEC First Engineering schemes from Edexcel It gives full coverage of the common core units for the certificate diploma units one and two plus the additional compulsory units for diploma students units three and four for all pathways **Handbook of Microcircuit Design and Application** David F. Stout, 1980

Introduction to microcircuits Digital families Combinational circuits Flip flops and shift registers Read write random access memories Read only memory devices Data word sorting and checking Sequential circuits Digital signal generation Serial communications microcircuits Parallel communications microcircuits BCD circuits The microprocessor and the microcomputer Microprocessor controlled A D converters Microcomputer based traffic systems Keyboard scanner circuits Application for the 6800 microprocessor a polyphonic music synthesizer Special purpose LSI circuits Operational amplifiers Active filters Regulators Nonlinear analog microcircuits Analog signal generation Sampling and multiplexing circuits Analog to digital converters Digital to analog converters Phase locked loop circuits Designer's Handbook of Integrated Circuits Arthur Bernard Williams, 1984 **Digital Electronics** Howard M. Berlin, 1985 **Electronic Design** , 1987 *Electricity and Its Application to Automotive Vehicles* Paul McDowell Stone, 1923 *Digital Electronics Through Experimentation* Robert Delp, 1984-03 **Programmable Logic Designer's Guide** Roger C. Alford, 1989 Analog and Digital Electronics for Scientific Application Dennis Barnaal, 1982 Jahangirnagar Physics Studies , 1998 **EDN, Electrical Design News** , 1980 **The Microcontroller Application Cookbook Featuring the BASIC Stamp 2** Matt Gilliland, 2000-12-07

Handbook of Digital IC Applications David L. Heiserman, 1980 **Electronics World** , 2005

Adopting the Tune of Expression: An Emotional Symphony within **555 Timer And Its Applications**

In a world used by displays and the ceaseless chatter of instant conversation, the melodic beauty and psychological symphony produced by the prepared word usually diminish into the backdrop, eclipsed by the persistent noise and disruptions that permeate our lives. But, located within the pages of **555 Timer And Its Applications** a wonderful fictional prize filled with fresh emotions, lies an immersive symphony waiting to be embraced. Constructed by a wonderful composer of language, that interesting masterpiece conducts viewers on an emotional journey, skillfully unraveling the concealed melodies and profound affect resonating within each cautiously crafted phrase. Within the depths with this poignant analysis, we shall investigate the book's main harmonies, analyze their enthralling writing fashion, and surrender ourselves to the profound resonance that echoes in the depths of readers' souls.

<https://py.bijouxmedusa.com/data/browse/HomePages/columbia%20english%20grammar%20for%20gre.pdf>

Table of Contents 555 Timer And Its Applications

1. Understanding the eBook 555 Timer And Its Applications
 - The Rise of Digital Reading 555 Timer And Its Applications
 - Advantages of eBooks Over Traditional Books
2. Identifying 555 Timer And Its Applications
 - Exploring Different Genres
 - Considering Fiction vs. Non-Fiction
 - Determining Your Reading Goals
3. Choosing the Right eBook Platform
 - Popular eBook Platforms
 - Features to Look for in an 555 Timer And Its Applications
 - User-Friendly Interface
4. Exploring eBook Recommendations from 555 Timer And Its Applications
 - Personalized Recommendations

- 555 Timer And Its Applications User Reviews and Ratings
- 555 Timer And Its Applications and Bestseller Lists
- 5. Accessing 555 Timer And Its Applications Free and Paid eBooks
 - 555 Timer And Its Applications Public Domain eBooks
 - 555 Timer And Its Applications eBook Subscription Services
 - 555 Timer And Its Applications Budget-Friendly Options
- 6. Navigating 555 Timer And Its Applications eBook Formats
 - ePub, PDF, MOBI, and More
 - 555 Timer And Its Applications Compatibility with Devices
 - 555 Timer And Its Applications Enhanced eBook Features
- 7. Enhancing Your Reading Experience
 - Adjustable Fonts and Text Sizes of 555 Timer And Its Applications
 - Highlighting and Note-Taking 555 Timer And Its Applications
 - Interactive Elements 555 Timer And Its Applications
- 8. Staying Engaged with 555 Timer And Its Applications
 - Joining Online Reading Communities
 - Participating in Virtual Book Clubs
 - Following Authors and Publishers 555 Timer And Its Applications
- 9. Balancing eBooks and Physical Books 555 Timer And Its Applications
 - Benefits of a Digital Library
 - Creating a Diverse Reading Collection 555 Timer And Its Applications
- 10. Overcoming Reading Challenges
 - Dealing with Digital Eye Strain
 - Minimizing Distractions
 - Managing Screen Time
- 11. Cultivating a Reading Routine 555 Timer And Its Applications
 - Setting Reading Goals 555 Timer And Its Applications
 - Carving Out Dedicated Reading Time
- 12. Sourcing Reliable Information of 555 Timer And Its Applications
 - Fact-Checking eBook Content of 555 Timer And Its Applications

- Distinguishing Credible Sources
- 13. Promoting Lifelong Learning
 - Utilizing eBooks for Skill Development
 - Exploring Educational eBooks
- 14. Embracing eBook Trends
 - Integration of Multimedia Elements
 - Interactive and Gamified eBooks

555 Timer And Its Applications Introduction

In today's digital age, the availability of 555 Timer And Its Applications books and manuals for download has revolutionized the way we access information. Gone are the days of physically flipping through pages and carrying heavy textbooks or manuals. With just a few clicks, we can now access a wealth of knowledge from the comfort of our own homes or on the go. This article will explore the advantages of 555 Timer And Its Applications books and manuals for download, along with some popular platforms that offer these resources. One of the significant advantages of 555 Timer And Its Applications books and manuals for download is the cost-saving aspect. Traditional books and manuals can be costly, especially if you need to purchase several of them for educational or professional purposes. By accessing 555 Timer And Its Applications versions, you eliminate the need to spend money on physical copies. This not only saves you money but also reduces the environmental impact associated with book production and transportation. Furthermore, 555 Timer And Its Applications books and manuals for download are incredibly convenient. With just a computer or smartphone and an internet connection, you can access a vast library of resources on any subject imaginable. Whether you're a student looking for textbooks, a professional seeking industry-specific manuals, or someone interested in self-improvement, these digital resources provide an efficient and accessible means of acquiring knowledge. Moreover, PDF books and manuals offer a range of benefits compared to other digital formats. PDF files are designed to retain their formatting regardless of the device used to open them. This ensures that the content appears exactly as intended by the author, with no loss of formatting or missing graphics. Additionally, PDF files can be easily annotated, bookmarked, and searched for specific terms, making them highly practical for studying or referencing. When it comes to accessing 555 Timer And Its Applications books and manuals, several platforms offer an extensive collection of resources. One such platform is Project Gutenberg, a nonprofit organization that provides over 60,000 free eBooks. These books are primarily in the public domain, meaning they can be freely distributed and downloaded. Project Gutenberg offers a wide range of classic literature, making it an excellent resource for literature enthusiasts. Another popular platform for 555 Timer And Its Applications books and manuals is Open Library. Open Library is an initiative of the

Internet Archive, a non-profit organization dedicated to digitizing cultural artifacts and making them accessible to the public. Open Library hosts millions of books, including both public domain works and contemporary titles. It also allows users to borrow digital copies of certain books for a limited period, similar to a library lending system. Additionally, many universities and educational institutions have their own digital libraries that provide free access to PDF books and manuals. These libraries often offer academic texts, research papers, and technical manuals, making them invaluable resources for students and researchers. Some notable examples include MIT OpenCourseWare, which offers free access to course materials from the Massachusetts Institute of Technology, and the Digital Public Library of America, which provides a vast collection of digitized books and historical documents. In conclusion, 555 Timer And Its Applications books and manuals for download have transformed the way we access information. They provide a cost-effective and convenient means of acquiring knowledge, offering the ability to access a vast library of resources at our fingertips. With platforms like Project Gutenberg, Open Library, and various digital libraries offered by educational institutions, we have access to an ever-expanding collection of books and manuals. Whether for educational, professional, or personal purposes, these digital resources serve as valuable tools for continuous learning and self-improvement. So why not take advantage of the vast world of 555 Timer And Its Applications books and manuals for download and embark on your journey of knowledge?

FAQs About 555 Timer And Its Applications Books

1. Where can I buy 555 Timer And Its Applications books? Bookstores: Physical bookstores like Barnes & Noble, Waterstones, and independent local stores. Online Retailers: Amazon, Book Depository, and various online bookstores offer a wide range of books in physical and digital formats.
2. What are the different book formats available? Hardcover: Sturdy and durable, usually more expensive. Paperback: Cheaper, lighter, and more portable than hardcovers. E-books: Digital books available for e-readers like Kindle or software like Apple Books, Kindle, and Google Play Books.
3. How do I choose a 555 Timer And Its Applications book to read? Genres: Consider the genre you enjoy (fiction, non-fiction, mystery, sci-fi, etc.). Recommendations: Ask friends, join book clubs, or explore online reviews and recommendations. Author: If you like a particular author, you might enjoy more of their work.
4. How do I take care of 555 Timer And Its Applications books? Storage: Keep them away from direct sunlight and in a dry environment. Handling: Avoid folding pages, use bookmarks, and handle them with clean hands. Cleaning: Gently dust the covers and pages occasionally.

5. Can I borrow books without buying them? Public Libraries: Local libraries offer a wide range of books for borrowing. Book Swaps: Community book exchanges or online platforms where people exchange books.
6. How can I track my reading progress or manage my book collection? Book Tracking Apps: Goodreads, LibraryThing, and Book Catalogue are popular apps for tracking your reading progress and managing book collections. Spreadsheets: You can create your own spreadsheet to track books read, ratings, and other details.
7. What are 555 Timer And Its Applications audiobooks, and where can I find them? Audiobooks: Audio recordings of books, perfect for listening while commuting or multitasking. Platforms: Audible, LibriVox, and Google Play Books offer a wide selection of audiobooks.
8. How do I support authors or the book industry? Buy Books: Purchase books from authors or independent bookstores. Reviews: Leave reviews on platforms like Goodreads or Amazon. Promotion: Share your favorite books on social media or recommend them to friends.
9. Are there book clubs or reading communities I can join? Local Clubs: Check for local book clubs in libraries or community centers. Online Communities: Platforms like Goodreads have virtual book clubs and discussion groups.
10. Can I read 555 Timer And Its Applications books for free? Public Domain Books: Many classic books are available for free as they're in the public domain. Free E-books: Some websites offer free e-books legally, like Project Gutenberg or Open Library.

Find 555 Timer And Its Applications :

columbia english grammar for gre

[comment prendre du poids conseils pour grossir rapidement](#)

[computer application in civil engineering](#)

[colonial and post colonial fiction in english an anthology](#)

[como fazer recarga em cartucho recarreg vel epon](#)

coming of age growing up in the twentieth century

como dibujar kawaii el

computer organization william stalling 7th edition

computer fundamentals by pk sinha 6th edition rybolt

[complete physics stephen pople](#)

conceptual physics concept development answers magnetism

comprehensive english course cxc a answers

computer quiz questions with answers

concrete reinforcement guide

computer application in business notes

555 Timer And Its Applications :

trouver dieu dans narnia wrbb neu - Mar 17 2022

web kindly say the trouver dieu dans narnia is universally compatible with any devices to read trouver dieu dans narnia 2022 04 21 weston kelley l Évangile selon c s lewis albin michel meurtrière mais sans avoir l intention de tuer j ai donc des circonstances atténuantes et avant que vous ne perdiez toute compassion je n ai pas

trouver dieu dans narnia grand format au meilleur prix e leclerc - Feb 25 2023

web trouver dieu dans narnia grand format achat en ligne au meilleur prix sur e leclerc retrait gratuit dans de 700 magasins french vous redécouvrirez aussi l enfant qui est en vous et à qui le royaume de dieu le véritable narnia a été promis voir plus caractéristiques auteur s kurt bruner jim ware traducteur s pierre

trouver dieu dans narnia kurt bruner payot - Jun 19 2022

web trouver dieu dans narnia kurt bruner cs lewis 1898 1963 pragmatique sceptique et ironique a découvert le christianisme à l aube de ses trente ans deven bien être dans sa tête et dans son corps cuisine vins boissons tourisme voyages géographie arts

infos de trouver dieu dans narnia senscritique - Dec 26 2022

web trouver dieu dans narnia fiche technique titre original finding god in the land of narnia auteurs kurt bruner jim ware genre vie pratique date de publication pays d origine langue d origine anglais parution france 2005 Éditeur salvator isbn 9782706704123 isbn 9782706704123

trouver dieu dans narnia pdf cyberlab sutd edu sg - Sep 22 2022

web trouver dieu dans narnia trouver dieu dans narnia mar 07 2023 cs lewis 1898 1963 pragmatique sceptique et ironique a découvert le christianisme à l aube de ses trente ans devenu professeur de littérature à cambridge puis à

trouver dieu dans narnia data northitalia com - May 19 2022

web the crafting of narnia modernités du suranné trouver dieu dans narnia downloaded from data northitalia com by guest raymond george religions de l antiquité considérées principalement dans leurs formes symboliques et mythologiques zondervan ce livret explique la conception du monde de narnia et les intentions de son créateur tout

trouver dieu dans narnia k bruner amazon com - Jul 01 2023

web nov 10 2005 trouver dieu dans narnia k bruner j ware on amazon com free shipping on qualifying offers trouver dieu dans narnia

trouver dieu dans narnia amazon fr - May 31 2023

web ce livre propose quelques clefs d'interprétation qui peuvent aider à trouver dieu dans narnia c est à dire dans nos vies quotidiennes glissez vous donc dans l'armoire magique et partez explorer le monde de narnia vous n'y trouverez pas seulement dieu vous y rencontrerez l'homme éternel ses désirs et ses contradictions

trouver dieu dans narnia 2706704128 romans cultura - Sep 03 2023

web trouver dieu dans narnia aux éditions salvator cs lewis 1898 1963 pragmatique sceptique et ironique a découvert le christianisme à l'aube de ses trente ans devenu professeur de littérature à cambri

trouver dieu dans narnia smis school co tz - Aug 02 2023

web 2 trouver dieu dans narnia 2023 02 06 abord sa vision inspirée des anciens semble très traditionnelle hiérarchique et essentialiste toutefois l'étude attentive de l'ensemble des écrits de lewis révèle un auteur moins conservateur qu'il y paraît [trouver dieu dans narnia salvator](#) - Apr 29 2023

web ce livre propose quelques clefs d'interprétation qui peuvent aider à trouver dieu dans narnia c est à dire dans nos vies quotidiennes glissez vous donc dans l'armoire magique et partez explorer le monde de narnia vous n'y trouverez pas seulement dieu vous y rencontrerez l'homme éternel ses désirs et ses contradictions

trouver dieu dans narnia sciences humaines et spiritualité - Aug 22 2022

web trouver dieu dans narnia pas cher retrouvez tous les produits disponibles à l'achat dans notre catégorie sciences humaines et spiritualité en utilisant rakuten vous acceptez l'utilisation des cookies permettant de vous proposer des contenus personnalisés et de réaliser des statistiques

trouver dieu dans narnia bruner kurt d archive org - Oct 04 2023

web trouver dieu dans narnia by bruner kurt d publication date 2005 topics lewis c s clive staples 1898 1963 chronicles of narnia lewis clive staples 1898 1963

[trouver dieu dans narnia de kurt bruner livre decitre](#) - Mar 29 2023

web nov 1 2005 trouver dieu dans narnia kurt bruner jim ware pierre rené mélon traducteur note moyenne donner le premier avis cs lewis 1898 1963 pragmatique sceptique et ironique a découvert le christianisme à l'aube de ses trente ans devenu professeur de littérature lire la suite 19 00 neuf expédié sous 3 à 6 jours

trouver dieu dans narnia label emmaüs - Oct 24 2022

web trouver dieu dans narnia cs lewis 1898 1963 pragmatique sceptique et ironique a découvert le christianisme à l'aube de ses trente vous pouvez aussi choisir la boutique dans laquelle chiner vos produits trouver ma boutique liste d'envies panier

boutiques mon compte faq blog librairie maison mode loisirs

[trouver dieu dans narnia old medtelligent com](#) - Feb 13 2022

web dictionnaire inattendu des grands témoins de l invisible trouver dieu dans narnia c s lewis ou la vocation du best seller the complete chronicles of narnia grand dictionnaire universel du xixe siècle le grand dictionnaire géographique historique et critique par m bruzen de la martiniere géographe de sa majesté catholique philippe 5

[naïade wiki narnia fandom](#) - Nov 24 2022

web les naïades les nymphes de rivière ou esprits d eau sont des dieux et les déesses qui habitent en les rivières et les ruisseaux ils sont le plus ordinairement trouvés dans la grande rivière de narnia ils peuvent prendre une apparence humaine et sont spirituellement liés aux eaux de narnia aucune description physique n est donnée mais

[trouver dieu dans narnia dev iainstitute org](#) - Apr 17 2022

web qui peuvent aider à trouver dieu dans narnia c est à dire dans nos vies quotidiennes glissez vous donc dans l armoire magique et partez explorer le monde de narnia vous n y trouverez pas seulement dieu vous y rencontrerez l homme éternel ses désirs et ses contradictions vous redécouvrirez aussi l enfant qui est en vous et à qui le

trouver dieu dans narnia kurt d bruner jim ware - Jul 21 2022

web ce livre propose quelques clefs d interprétation qui peuvent aider à trouver dieu dans narnia c est à dire dans nos vies quotidiennes glissez vous donc dans l armoire magique et partez explorer le monde de narnia vous n y trouverez pas seulement dieu vous y rencontrerez l homme éternel ses désirs et ses contradictions

trouver dieu dans narnia broché kurt bruner jim ware fnac - Jan 27 2023

web trouver dieu dans narnia résumé voir tout cs lewis 1898 1963 pragmatique sceptique et ironique a découvert le christianisme à l aube de ses trente ans devenu professeur de littérature à cambridge puis à oxford il a consacré sa vie à partager la joie qu il avait découverte dans la foi chrétienne en élaborant une

the 6 qualities of an amazing fundraising letter raisely com - Oct 10 2022

web nov 10 2022 by anthony greer published november 10 2022 learn how to write an impactful fundraising letter with our tips on what to include and how to format it as well as examples to emulate we don t underestimate the power of fundraising letters and you shouldn t either

[fundraising letters writing great appeals templates](#) - Jul 19 2023

web sep 4 2020 how to start your letter what to include in a fundraising letter fundraising letter best practices keeping it short and to the point personalizing your letters signing off making it easy to read thanking your donors best fundraising letters examples templates

[how to write the perfect fundraising letter with templates](#) - Jun 18 2023

web 1 the salutation personalize letters you never ever want to address your letter dear friend supporter using a person s name is important in their eyes it means the letter was intended for them not just some supporter so it makes them pay attention

writing effective fundraising letters giveforms - Aug 20 2023

web oct 20 2021 tips for writing a compelling fundraising letter 1 focus on you review your fundraising letter do you see a lot of i and we if so work to rewrite some of 2 keep it simple and straightforward you don t want your readers to have to pull out a dictionary to figure out what 3 think

how to write a good fundraising letter example - Aug 08 2022

web 1 personally address your readers successful fundraising letters have one common characteristic they re donor centric when you re appealing to people via letters address them directly the magic word to use is you using the word you makes the donor feel you re directly speaking to them

the beginner s guide to writing the perfect fundraising letter - Dec 12 2022

web jun 12 2023 a fundraising letter can be a powerful way to connect with donors educating them about your cause and giving them the opportunity to be part of solution and it s a great part of an annual fundraising plan

simple and powerful fundraising letter template free download - Mar 03 2022

web i ve formatted it as a worksheet so you can fill in your appeal content and get started writing your own powerful fundraising appeals and let me know how the template worksheet helps you download your copy of the fundraising letter worksheet template

how to write an effective fundraising letter successfund - May 05 2022

web take time to carefully draft your fundraising letter your fundraising letter should be about a page long and use only as many words as necessary to tell your story and get your message across review and edit it so that it will be as effective as possible remember to follow up a few months down the road to let the donor know how their

how to write a powerful and effective fundraising email - Sep 09 2022

web jul 12 2023 use big and bold imagery in your fundraising email to immediately engage your contacts and draw them in always include your organization s logo in the header of the email include your organization s contact information in

fundraising letters 7 examples to craft a great fundraising ask - Oct 22 2023

web best practices for writing fundraising letters for sponsorships give specifics about your event if your fundraising letter is vague about the particulars of your event your recipient is going to be less trusting give specifics such as date time reason for the event the cause you support and more

how to write an effective fundraising letter or email - Feb 14 2023

web sep 16 2022 six key components of an effective fundraising appeal when evaluating your copy remember these key components of a powerful persuasive fundraising letter build a case for support use an emotional and personal one on one conversational tone write for the skimmer

how to draft the perfect fundraising letter - Jan 13 2023

web jan 10 2022 when it is done right a fundraising letter is so powerful great fundraising copy provokes strong emotions inspires action from donors and leaves the donors feeling good about sending in a contribution here are some tips for writing the perfect fundraising letter writing style tips use a personal tone

how to write a fundraising letter society for nonprofits - Nov 11 2022

web your fundraising letter is the most important element in the mailing package but it s only one of several items that must fit together smoothly at a minimum your package will probably include an outer envelope a reply envelope and

[how to write a fundraising letter templates and tips](#) - Jun 06 2022

web jan 19 2021 1 select the subcategory you want to write in 2 customize your search by selecting the date range and the format free tip envelope is the best choice in fundraising you can add a keyword or phrase in quotation marks e g donation to narrow down your search even further and click the search button 3

10 examples of fundraising letters that raised a ton of funds - Apr 04 2022

web 1 a letter that got 100 response this 5 page letter was mailed to just 23 individuals asking them to join the writer and to donate 1 000 each to help pay for the deficit of 10 students each at berea college the author and all the 23 people donated 1 000 helping 240 students here is the letter

how to write a donor centric fundraising letter five maples - Jul 07 2022

web aug 15 2012 your fundraising letter design has to be donor centered and deliver everything the donor needs to know in the first scan through do this effectively and they ll start reading at the beginning for a second run through taking their time

how to write a fundraising letter in 7 steps with template - May 17 2023

web jun 24 2022 a fundraising letter also known as a solicitation letter is a letter that explains a nonprofit s needs and goals it tells potential donors why and how they can support the organization a convincing fundraising letter helps nonprofits receive grants from institutions request support for a new plan and ask for donations

fundraising letters the ultimate guide free templates - Mar 15 2023

web this type of fundraising letter is an optimal chance to share your story show donors the impact they can make with a gift and gain support for your mission explore how you can best use fundraising letters by using the navigation below how to write a fundraising letter fundraising letter examples how to write a fundraising email

[how to write a fundraising letter to request donations gofundme](#) - Apr 16 2023

web jul 16 2012 tips on how to write a fundraising letter address the emotions of your audience in your letter successful donations request letters whether for an adoption letter or general letters for donations need these common elements to build a foundation for success be personal write it as if you are talking to a friend

14 fundraising letters templates to inspire more support - Sep 21 2023

web aug 2 2023 14 types of fundraising letters templates with the right tips tricks and tools your team can connect with more donors and cultivate lasting relationships to strengthen your work let s cover the basics of writing fundraising letters then explore the specific types of requests your nonprofit may decide to send

ecoutez bien 1 answers pdf pdf red ortax - Aug 03 2022

web *ecoutez bien 1 answers pdf introduction ecoutez bien 1 answers pdf pdf title ecoutez bien 1 answers pdf pdf red ortax* org created date 9 2 2023 4 35 56 pm

track 1 in ecoutez bien cd 2 soundcloud - Sep 04 2022

web track 1 in ecoutez bien cd 2 now available first fans subscribe to next pro to get your next upload heard by up to 100 listeners start today

ecoutez bien - Feb 09 2023

web ecoutez bien does not just provide tens of exercises complete with scripts answers cultural information and suggested techniques for all students to practise and improve their skills

ecoutez bien answers help environment harvard edu - Dec 27 2021

web 1 ecoutez bien answers if you ally obsession such a referred ecoutez bien answers book that will meet the expense of you worth acquire the agreed best seller from us currently from several preferred authors if you want to hilarious books lots of novels tale jokes and more fictions collections are with launched from best seller to one of

ecoutez bien - Aug 15 2023

web ecoutez bien does not just provide tens of exercises complete with scripts answers cultural information and suggested techniques for all students to practise and improve their skills because students need to mark their own answers they need to make a decision regarding the answer they provided and start thinking like an assessor

ecoutez bien 1 answers help environment harvard edu - Mar 30 2022

web merely said the ecoutez bien 1 answers is universally compatible with any devices to read on y va jeannette d bragger 1993 voila 1 teacher s book gwen berwick 2004 voila is a motivating french course taking students from beginner level through to gcse and is aimed at a wide range of abilities it includes the three part lesson

ecoutez bien 1 answers 50storiesfortomorrow ilfu com - Jun 13 2023

web decoding ecoutez bien 1 answers revealing the captivating potential of verbal expression in a period characterized by

interconnectedness and an insatiable thirst for knowledge the captivating potential of verbal expression has emerged as **écoutez bien english translation linguae** - Jan 28 2022

web many translated example sentences containing écoutez bien english french dictionary and search engine for english translations

ecoutez bien - Mar 10 2023

web you know you love french you know you want to improve maybe you even want the top mark we can give you the tools we have tens of exercises complete with scripts answers and cultural information not only that but techniques for you to understand what your brain is doing q i have always been told that you can t study for a listening test

ecoutez bien 1 junior certificate listening comprehension tests - Nov 06 2022

web jan 1 2006 ecoutez bien 1 junior certificate listening comprehension tests on amazon com free shipping on qualifying offers ecoutez bien 1 junior certificate listening comprehension tests

Écoutez bien translation in english bab la - Jun 01 2022

web translation for écoutez bien in the free french english dictionary and many other english translations bab la online dictionaries vocabulary conjugation grammar ecoutez moi bien monsieur morris si vous avez l intention de

écoutez bien translation into english reverso context - Apr 30 2022

web verb adverb listen up listen carefully listen to pay attention listen well listen closely listen close mark my words show more bon les gars écoutez bien okay folks listen up alors mon groupe écoutez bien so my guys listen up ne paniquez pas et écoutez bien don t panic and listen carefully regardez et écoutez bien le clip

ecoutez bien 1 book cd folens - Dec 07 2022

web ecoutez bien 1 book cd this junior certificate french book provides students with suitable and adequate aural practice for all aspects of the exam at both higher and ordinary level it is accompanied by a student cd that contains all the listening comprehension tests there is a tape and tapescript available for the read more

ecoutez bien 2 track 01 in ecoutez bien 2 tracks 01 62 - May 12 2023

web 1 ecoutez bien 2 track 01 2 ecoutez bien 2 track 02 6 169 3 ecoutez bien 2 track 03 5 397 4 ecoutez bien 2 track 04 4 441 5 ecoutez bien 2 track 05

Écoutez bien cd 1 soundcloud - Jul 14 2023

web listen to Écoutez bien cd 1 a playlist curated by s daly on desktop and mobile

ecoutez bien 1 answers pdf nubesojobe weebly com - Jul 02 2022

web ecoutez bien 1 answers pdf school level secondaryclass juniorsujeto certificate frenchisbn 10 1841316490isbn 13 9781841318486barcode 9781841318486publicist folensnew columnauthor joseph dunneproduct bookformat softback

edition 1st edition language french pages 100 publication date 2004 junior certificate listening

écoutez bien 1 world of reading ltd - Jan 08 2023

web écoutez bien 1 ages 10 adult french interactive quizzes and exercises to test oral comprehension and recording playback for pronunciation the topics are giving

écoutez bien 1 answers pdf pdf china int indonesia travel - Feb 26 2022

web écoutez bien 1 answers pdf introduction écoutez bien 1 answers pdf pdf english in mind level 1 student s book with dvd rom herbert puchta 2010 02 25 this second edition updates a course which has proven to be a perfect fit for classes the world over engaging content and a strong focus on grammar and vocabulary combine to make

Écoutez audio textbook listen to each of these questions or - Oct 05 2022

web study with quizlet and memorize flashcards containing terms like 1 2 3 and more study with quizlet and memorize flashcards containing terms like 1 2 3 and more très bien et vous answer 10 À bientôt answer mal upgrade to remove ads only 35 99 year about us about quizlet how quizlet works careers advertise with

écoutez bien 2 tapescript pdf pdf free download docplayer - Apr 11 2023

web page 1 answers you can see your work through the eyes of an examiner you can understand what you écoutez bien com écoutez bien test it o u this pdf book contain écoutez bien 1 answers information to download free écoutez bien you need to