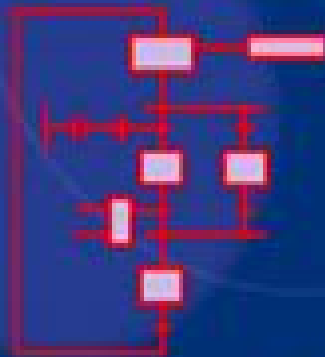


Karl-Heinz John · Michael Tiegelkamp

# IEC 61131-3: Programming Industrial Automation Systems

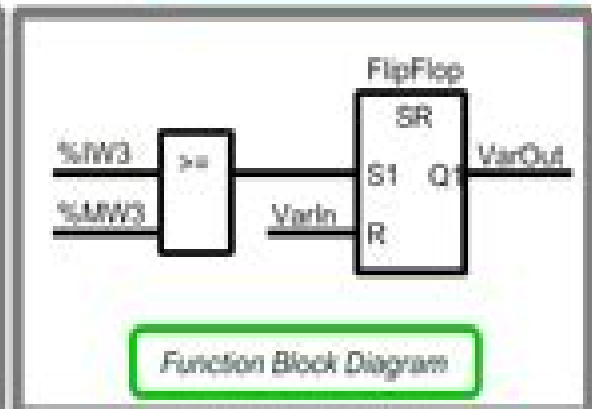
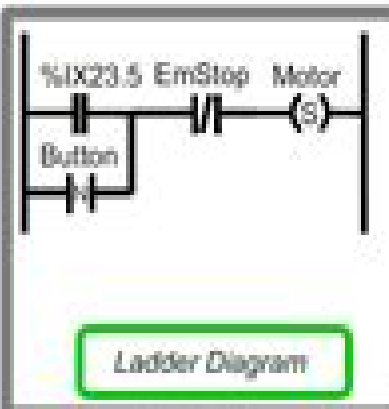
Concepts and Programming Languages,  
Requirements for Programming Systems,  
Decision-Making Aids

2nd Edition



Springer

instrumentationTools.com



LD	%IX23.5
ORN	Button
ANDN	EmStop
S	Motor

Instruction List

```
FlipFlop ( S1 := (%IW3 >= %MW3),  
          R := VarIn );  
VarOut := FlipFlop.Q1;
```

Structured Text

Figure 2.1. Simple examples of the programming languages LD, FBD, IL and ST. The examples in LD and IL are equivalent to one another, as are those in FBD and ST.

Additionally, the description language Sequential Function Chart (SFC) can be used to describe the structure of a PLC program by displaying its sequential and parallel execution. The various subdivisions of the SFC program (steps and transitions) can be programmed independently using any of the IEC 61131-3 programming languages.

# Iec 61131 3 Programming Industrial Automation Systems

**William S. Levine**



## **Iec 61131 3 Programming Industrial Automation Systems:**

**IEC 61131-3: Programming Industrial Automation Systems** Karl-Heinz John, Michael Tiegelkamp, 2001 This practical book gives a comprehensive introduction to the concepts and languages of the new standard IEC 61131 used to program industrial control systems A summary of the special requirements in programming industrial automation systems and the corresponding features in the IEC 61131 3 standard makes it suitable for students as well as PLC experts The material is presented in an easy to understand form using numerous examples illustrations and summary tables There is also a purchaser s guide and a CD ROM containing two reduced but functional versions of programming systems These increase the value of the book for PLC programmers and for those in charge of purchasing software in industrial companies **IEC 61131-3: Programming Industrial Automation Systems** Karl-Heinz John, Michael Tiegelkamp, 2013-06-29 The programming of industrial controllers has developed into a fully fledged engineering discipline in its own right over the last few years It soon became apparent that the concepts and languages used in office automation were not equal to the task Rugged software and fast adaptability are just two examples of the additional demands made by industrial automation technology To standardise a variety of modern concepts and languages for the benefit of users the International Electrotechnical Commission IEC developed a standard for using industrial controllers Based on experience with existing PLC languages five programming languages were defined together with a data concept using modern software development methods This book introduces these new programming concepts assesses the value of the standard in the industrial context and provides a checklist to enable users to appraise the functionality of a programming system It also includes two free programming packages on CD ROM inviting the reader to try out IEC 61131 programming The IEC 61131 programming systems OpenPCS and STEP 7 are supplied by infoteam Software GmbH [www.infoteam.de](http://www.infoteam.de) and SIEMENS AG [www.siemens.de](http://www.siemens.de) This book is the product of more than 15 years of experience in the development of PLC programming systems especially a number of IEC systems The purpose of writing it was not only to present the user with the formal language structure but also to explain the concepts and methods underlying the different languages [IEC 61131-3: Programming Industrial Automation Systems](#) ,2001 This practical book gives a comprehensive introduction to the concepts and languages of the new standard IEC 61131 used to program industrial control systems A summary of the special requirements in programming industrial automation systems and the corresponding features in the IEC 61131 3 standard makes it suitable for students as well as PLC experts The material is presented in an easy to understand form using numerous examples illustrations and summary tables There is also a purchaser s guide and a CD ROM containing two reduced but functional versions of programming systems These increase the value of the book for PLC programmers and for those in charge of purchasing software in industrial companies [IEC 61131-3 Programming Industrial Automation Systems](#) Karl- Heinz John, 2010 Introduction Building blocks of IEC 61131 3 Variables data types and common elements Innovative PLC programming system

*IEC 61131-3: Programming Industrial Automation Systems* Karl Heinz John, Michael Tiegelkamp, 2010-06-16 The rapid advances in performance and miniaturisation in microtechnology are constantly opening up new markets for the programmable logic controller PLC. Specially designed controller hardware or PC based controllers extended by hardware and software with real time capability now control highly complex automation processes. This has been extended by the new subject of safe related controllers aimed at preventing injury by machines during the production process. The different types of PLC cover a wide task spectrum ranging from small network node computers and distributed compact units right up to modular fault tolerant high performance PLCs. They differ in performance characteristics such as processing speed, networking ability or the selection of I/O modules they support. Throughout this book the term PLC is used to refer to the technology as a whole both hardware and software and not merely to the hardware architecture. The IEC61131 programming languages can be used for programming classical PLCs, embedded controllers, industrial PCs and even standard PCs if suitable hardware e.g. fieldbus board for connecting sensors and actuators is available.

**The Control Handbook (three volume set)** William S. Levine, 2018-10-08 At publication *The Control Handbook* immediately became the definitive resource that engineers working with modern control systems required. Among its many accolades that first edition was cited by the AAP as the Best Engineering Handbook of 1996. Now 15 years later William Levine has once again compiled the most comprehensive and authoritative resource on control engineering. He has fully reorganized the text to reflect the technical advances achieved since the last edition and has expanded its contents to include the multidisciplinary perspective that is making control engineering a critical component in so many fields. Now expanded from one to three volumes *The Control Handbook Second Edition* brilliantly organizes cutting edge contributions from more than 200 leading experts representing every corner of the globe. They cover everything from basic closed loop systems to multi agent adaptive systems and from the control of electric motors to the control of complex networks. Progressively organized the three volume set includes *Control System Fundamentals*, *Control System Applications*, *Control System Advanced Methods*. Any practicing engineer, student or researcher working in fields as diverse as electronics, aeronautics or biomedicine will find this handbook to be a time saving resource filled with invaluable formulas, models, methods and innovative thinking. In fact any physicist, biologist, mathematician or researcher in any number of fields developing or improving products and systems will find the answers and ideas they need. As with the first edition the new edition not only stands as a record of accomplishment in control engineering but provides researchers with the means to make further advances.

**Case Studies in Control** Stanko Strmčnik, Dani Juričić, 2013-06-12 *Case Studies in Control* presents a framework to facilitate the use of advanced control concepts in real systems based on two decades of research and over 150 successful applications for industrial end users from various backgrounds. In successive parts the text approaches the problem of putting the theory to work from both ends, theoretical and practical. The first part begins with a stress on solid control theory and the shaping of that theory to solve particular

instances of practical problems It emphasizes the need to establish by experiment whether a model derived solution will perform properly in reality The second part focuses on real industrial applications based on the needs and requirements of end users Here the engineering approach is dominant but with theoretical input of varying degree depending on the particular process involved Following the illustrations of the progress that can be made from either extreme of the well known theory practice divide the text proceeds to a third part related to the development of tools that enable simpler use of advanced methods a need only partially met by available commercial products Each case study represents a self contained unit that shows an experimental application of a particular method a practical solution to an industrial problem or a toolkit that makes control design and implementation easier or more efficient Among the applications presented are wastewater treatment manufacturing of electrical motors temperature control of blow moulding burn protective garments quality assessment and rapid prototyping Written by contributors with a considerable record of industrially applied research Case Studies in Control will encourage interaction between industrial practitioners and academic researchers and be of benefit to both helping to make theory realistic and practical implementation more thorough and efficacious Advances in Industrial Control aims to report and encourage the transfer of technology in control engineering The rapid development of control technology has an impact on all areas of the control discipline The series offers an opportunity for researchers to present an extended exposition of new work in all aspects of industrial control

*Instrument Engineers' Handbook, Volume Two* Bela G. Liptak, 2018-10-08 The latest update to Bela Liptak's acclaimed bible of instrument engineering is now available Retaining the format that made the previous editions bestsellers in their own right the fourth edition of Process Control and Optimization continues the tradition of providing quick and easy access to highly practical information The authors are practicing engineers not theoretical people from academia and their from the trenches advice has been repeatedly tested in real life applications Expanded coverage includes descriptions of overseas manufacturer's products and concepts model based optimization in control theory new major inventions and innovations in control valves and a full chapter devoted to safety With more than 2000 graphs figures and tables this all inclusive encyclopedic volume replaces an entire library with one authoritative reference The fourth edition brings the content of the previous editions completely up to date incorporates the developments of the last decade and broadens the horizons of the work from an American to a global perspective B la G Lipt k speaks on Post Oil Energy Technology on the AT T Tech Channel

**The Control Handbook** William S. Levine, 2017-12-19 At publication The Control Handbook immediately became the definitive resource that engineers working with modern control systems required Among its many accolades that first edition was cited by the AAP as the Best Engineering Handbook of 1996 Now 15 years later William Levine has once again compiled the most comprehensive and authoritative resource on control engineering He has fully reorganized the text to reflect the technical advances achieved since the last edition and has expanded its contents to include the multidisciplinary perspective that is making control

engineering a critical component in so many fields Now expanded from one to three volumes The Control Handbook Second Edition brilliantly organizes cutting edge contributions from more than 200 leading experts representing every corner of the globe The first volume Control System Fundamentals offers an overview for those new to the field but is also of great value to those across any number of fields whose work is reliant on but not exclusively dedicated to control systems Covering mathematical fundamentals defining principles and basic system approaches this volume Details essential background including transforms and complex variables Includes mathematical and graphical models used for dynamical systems Covers analysis and design methods and stability testing for continuous time systems Delves into digital control and discrete time systems including real time software for implementing feedback control and programmable controllers Analyzes design methods for nonlinear systems As with the first edition the new edition not only stands as a record of accomplishment in control engineering but provides researchers with the means to make further advances Progressively organized the other two volumes in the set include Control System Applications Control System Advanced Methods

**Information Systems Architecture and Technology: Proceedings of 40th Anniversary International Conference on Information Systems Architecture and Technology - ISAT 2019** Jerzy Świątek, Leszek Borzemski, Zofia Wilimowska, 2019-09-04 This three volume book highlights significant advances in the development of new information systems technologies and architectures Further it helps readers solve specific research and analytical problems and glean useful knowledge and business value from data Each chapter provides an analysis of a specific technical problem followed by a numerical analysis simulation and implementation of the solution to the real world problem Managing an organization especially in today's rapidly changing environment is a highly complex process Increased competition in the marketplace especially as a result of the massive and successful entry of foreign businesses into domestic markets changes in consumer behaviour and broader access to new technologies and information calls for organisational restructuring and the introduction and modification of management methods using the latest scientific advances This situation has prompted various decision making bodies to introduce computer modelling of organization management systems This book presents the peer reviewed proceedings of the 40th Anniversary International Conference Information Systems Architecture and Technology ISAT held on September 15 17 2019 in Wrocław Poland The conference was organised by the Computer Science Department Faculty of Computer Science and Management Wrocław University of Sciences and Technology and University of Applied Sciences in Nysa Poland The papers have been grouped into three major sections Part I discusses topics including but not limited to artificial intelligence methods knowledge discovery and data mining big data knowledge based management Internet of Things cloud computing and high performance computing distributed computer systems content delivery networks and service oriented computing Part II addresses various topics such as system modelling for control recognition and decision support mathematical modelling in computer system design service oriented systems and cloud computing and complex process modelling Part III focuses on a

number of themes like knowledge based management modelling of financial and investment decisions modelling of managerial decisions production systems management and maintenance risk management small business management and theories and models of innovation

**A Guide to the Automation Body of Knowledge** Vernon L. Trevathan,2006 A Guide to the Automation Body of Knowledge 2nd Edition has been updated and additional topics added covering custom software control equipment structure and continuous emissions monitoring systems to better provide the reader with comprehensive information about all major topics in the broad field of automation Edited by Vernon L Trevathan with contributions from over thirty five leading experts from all aspects of automation this book defines the most important automation concepts and processes while also describing the technical skills professionals require to implement them in today s industrial environment Whether you are an engineer manager control systems integrator student or educator you will turn to this book again and again as the ultimate source on what is encompassed by automation

*Holonic and Multi-agent Systems for Manufacturing*,2003

**Kickstart PLC Programming: Design and Build Scalable Control Systems Using IEC 61131-3, Ladder Logic, SCADA and HMI for Modern Industrial Automation** Henrique Morata,2025-08-16 Your Fast Track Guide to PLCs SCADA and Smart Control Key Features Learn core IEC 61131 3 PLC languages like Ladder ST and FBD in depth Design scalable control systems with reusable modular logic Integrate PLCs with HMI SCADA and modern industrial networks Book DescriptionEmbark on a structured hands on journey into the world of PLC Programming and Machine Automation This comprehensive guide takes you from the fundamentals of IEC 61131 3 programming languages such as Ladder Logic Structured Text and Function Blocks to the advanced techniques required to build reliable and scalable automation systems Start by understanding how software environments interact with PLC hardware and the field devices they control Explore the inner workings of industrial networks the role of standardization in system design and how to ensure seamless communication and interoperability using protocols such as Modbus Profinet and OPCs As the chapters progress you will gain practical insights into modular software design integration with HMI and SCADA systems and how to architect automation projects for small machines as well as complex processes You will also learn how to future proof your solutions through robust network topologies version control practices and building a solid foundation for modern connected and intelligent industrial control systems What you will learn Master the intricacies of PLC programming with IEC 61131 3 standards Effectively structure control logic using Ladder ST and FBD languages Establish robust communication with field devices and remote systems Integrate PLCs seamlessly with HMI SCADA and industrial protocols Develop modular and scalable control architectures for complex processes Perfect the design of standardized maintainable and optimized PLC software Understand how emerging technologies like IIoT and AI connect with PLCs

*Application and Theory of Petri Nets*,2003

**Real-Time Programming 2003 (WRTP 2003)** Marian Adamski,Matjaž Colnarič,Marek Węgrzyn,2003

**Kickstart PLC Programming** Henrique Morata,2025-08-16 TAGLINE Your Fast Track Guide to PLCs SCADA and Smart

Control KEY FEATURES Learn core IEC 61131 3 PLC languages like Ladder ST and FBD in depth Design scalable control systems with reusable modular logic Integrate PLCs with HMI SCADA and modern industrial networks DESCRIPTION Embark on a structured hands on journey into the world of PLC Programming and Machine Automation This comprehensive guide takes you from the fundamentals of IEC 61131 3 programming languages such as Ladder Logic Structured Text and Function Blocks to the advanced techniques required to build reliable and scalable automation systems Start by understanding how software environments interact with PLC hardware and the field devices they control Explore the inner workings of industrial networks the role of standardization in system design and how to ensure seamless communication and interoperability using protocols such as Modbus Profinet and OPCs As the chapters progress you will gain practical insights into modular software design integration with HMI and SCADA systems and how to architect automation projects for small machines as well as complex processes You will also learn how to future proof your solutions through robust network topologies version control practices and building a solid foundation for modern connected and intelligent industrial control systems WHAT WILL YOU LEARN Master the intricacies of PLC programming with IEC 61131 3 standards Effectively structure control logic using Ladder ST and FBD languages Establish robust communication with field devices and remote systems Integrate PLCs seamlessly with HMI SCADA and industrial protocols Develop modular and scalable control architectures for complex processes Perfect the design of standardized maintainable and optimized PLC software Understand how emerging technologies like IIoT and AI connect with PLCs WHO IS THIS BOOK FOR This book is meticulously tailored for automation engineers control system developers electrical technicians and IT professionals looking to expand their expertise in PLC programming So whether you are a beginner exploring industrial automation or a seasoned professional seeking to modernize your skills this guide offers a practical in depth resource It is especially invaluable for those working with SCADA HMI systems and industrial networks aiming to build scalable maintainable and future ready control solutions TABLE OF CONTENTS 1 Introduction to PLCs 2 Industrial Networks 3 Programming Languages for PLCs 4 Tasks Routines Control Blocks and Function Blocks 5 Reusable Functions 6 Human Machine Interface Visualization and Control 7 Controlling Different Kinds of Motors 8 System Integration within the PLC 9 SCADA 10 Industry 4 0 and PLCs Index

*Proceedings* ,2004      **International Journal of Manufacturing Technology and Management** ,2006      **IEEE ...**  
**International Conference on Emerging Technologies and Factory Automation Proceedings** ,1999      Books in Print  
Supplement ,2002

Eventually, you will unconditionally discover a other experience and deed by spending more cash. nevertheless when? do you understand that you require to acquire those all needs gone having significantly cash? Why dont you try to get something basic in the beginning? Thats something that will guide you to understand even more almost the globe, experience, some places, with history, amusement, and a lot more?

It is your totally own period to conduct yourself reviewing habit. in the midst of guides you could enjoy now is **Iec 61131 3 Programming Industrial Automation Systems** below.

[https://py.bijouxmedusa.com/public/publication/default.aspx/54\\_2353\\_Online\\_Business\\_For\\_Beginners\\_United\\_States\\_54\\_702\\_Online.pdf](https://py.bijouxmedusa.com/public/publication/default.aspx/54_2353_Online_Business_For_Beginners_United_States_54_702_Online.pdf)

## **Table of Contents Iec 61131 3 Programming Industrial Automation Systems**

1. Understanding the eBook Iec 61131 3 Programming Industrial Automation Systems
  - The Rise of Digital Reading Iec 61131 3 Programming Industrial Automation Systems
  - Advantages of eBooks Over Traditional Books
2. Identifying Iec 61131 3 Programming Industrial Automation Systems
  - Exploring Different Genres
  - Considering Fiction vs. Non-Fiction
  - Determining Your Reading Goals
3. Choosing the Right eBook Platform
  - Popular eBook Platforms
  - Features to Look for in an Iec 61131 3 Programming Industrial Automation Systems
  - User-Friendly Interface
4. Exploring eBook Recommendations from Iec 61131 3 Programming Industrial Automation Systems
  - Personalized Recommendations
  - Iec 61131 3 Programming Industrial Automation Systems User Reviews and Ratings
  - Iec 61131 3 Programming Industrial Automation Systems and Bestseller Lists

5. Accessing Iec 61131 3 Programming Industrial Automation Systems Free and Paid eBooks
  - Iec 61131 3 Programming Industrial Automation Systems Public Domain eBooks
  - Iec 61131 3 Programming Industrial Automation Systems eBook Subscription Services
  - Iec 61131 3 Programming Industrial Automation Systems Budget-Friendly Options
6. Navigating Iec 61131 3 Programming Industrial Automation Systems eBook Formats
  - ePub, PDF, MOBI, and More
  - Iec 61131 3 Programming Industrial Automation Systems Compatibility with Devices
  - Iec 61131 3 Programming Industrial Automation Systems Enhanced eBook Features
7. Enhancing Your Reading Experience
  - Adjustable Fonts and Text Sizes of Iec 61131 3 Programming Industrial Automation Systems
  - Highlighting and Note-Taking Iec 61131 3 Programming Industrial Automation Systems
  - Interactive Elements Iec 61131 3 Programming Industrial Automation Systems
8. Staying Engaged with Iec 61131 3 Programming Industrial Automation Systems
  - Joining Online Reading Communities
  - Participating in Virtual Book Clubs
  - Following Authors and Publishers Iec 61131 3 Programming Industrial Automation Systems
9. Balancing eBooks and Physical Books Iec 61131 3 Programming Industrial Automation Systems
  - Benefits of a Digital Library
  - Creating a Diverse Reading Collection Iec 61131 3 Programming Industrial Automation Systems
10. Overcoming Reading Challenges
  - Dealing with Digital Eye Strain
  - Minimizing Distractions
  - Managing Screen Time
11. Cultivating a Reading Routine Iec 61131 3 Programming Industrial Automation Systems
  - Setting Reading Goals Iec 61131 3 Programming Industrial Automation Systems
  - Carving Out Dedicated Reading Time
12. Sourcing Reliable Information of Iec 61131 3 Programming Industrial Automation Systems
  - Fact-Checking eBook Content of Iec 61131 3 Programming Industrial Automation Systems
  - Distinguishing Credible Sources
13. Promoting Lifelong Learning

- Utilizing eBooks for Skill Development
  - Exploring Educational eBooks
14. Embracing eBook Trends
- Integration of Multimedia Elements
  - Interactive and Gamified eBooks

### **Iec 61131 3 Programming Industrial Automation Systems Introduction**

Iec 61131 3 Programming Industrial Automation Systems Offers over 60,000 free eBooks, including many classics that are in the public domain. Open Library: Provides access to over 1 million free eBooks, including classic literature and contemporary works. Iec 61131 3 Programming Industrial Automation Systems Offers a vast collection of books, some of which are available for free as PDF downloads, particularly older books in the public domain. Iec 61131 3 Programming Industrial Automation Systems : This website hosts a vast collection of scientific articles, books, and textbooks. While it operates in a legal gray area due to copyright issues, its a popular resource for finding various publications. Internet Archive for Iec 61131 3 Programming Industrial Automation Systems : Has an extensive collection of digital content, including books, articles, videos, and more. It has a massive library of free downloadable books. Free-eBooks Iec 61131 3 Programming Industrial Automation Systems Offers a diverse range of free eBooks across various genres. Iec 61131 3 Programming Industrial Automation Systems Focuses mainly on educational books, textbooks, and business books. It offers free PDF downloads for educational purposes. Iec 61131 3 Programming Industrial Automation Systems Provides a large selection of free eBooks in different genres, which are available for download in various formats, including PDF. Finding specific Iec 61131 3 Programming Industrial Automation Systems, especially related to Iec 61131 3 Programming Industrial Automation Systems, might be challenging as theyre often artistic creations rather than practical blueprints. However, you can explore the following steps to search for or create your own Online Searches: Look for websites, forums, or blogs dedicated to Iec 61131 3 Programming Industrial Automation Systems, Sometimes enthusiasts share their designs or concepts in PDF format. Books and Magazines Some Iec 61131 3 Programming Industrial Automation Systems books or magazines might include. Look for these in online stores or libraries. Remember that while Iec 61131 3 Programming Industrial Automation Systems, sharing copyrighted material without permission is not legal. Always ensure youre either creating your own or obtaining them from legitimate sources that allow sharing and downloading. Library Check if your local library offers eBook lending services. Many libraries have digital catalogs where you can borrow Iec 61131 3 Programming Industrial Automation Systems eBooks for free, including popular titles. Online Retailers: Websites like Amazon, Google Books, or Apple Books often sell eBooks. Sometimes, authors or publishers offer promotions or free periods for certain books. Authors Website Occasionally, authors

provide excerpts or short stories for free on their websites. While this might not be the Iec 61131 3 Programming Industrial Automation Systems full book , it can give you a taste of the authors writing style.Subscription Services Platforms like Kindle Unlimited or Scribd offer subscription-based access to a wide range of Iec 61131 3 Programming Industrial Automation Systems eBooks, including some popular titles.

### **FAQs About Iec 61131 3 Programming Industrial Automation Systems Books**

**What is a Iec 61131 3 Programming Industrial Automation Systems PDF?** A PDF (Portable Document Format) is a file format developed by Adobe that preserves the layout and formatting of a document, regardless of the software, hardware, or operating system used to view or print it. **How do I create a Iec 61131 3 Programming Industrial Automation Systems PDF?** There are several ways to create a PDF: Use software like Adobe Acrobat, Microsoft Word, or Google Docs, which often have built-in PDF creation tools. Print to PDF: Many applications and operating systems have a "Print to PDF" option that allows you to save a document as a PDF file instead of printing it on paper. Online converters: There are various online tools that can convert different file types to PDF. **How do I edit a Iec 61131 3 Programming Industrial Automation Systems PDF?** Editing a PDF can be done with software like Adobe Acrobat, which allows direct editing of text, images, and other elements within the PDF. Some free tools, like PDFescape or Smallpdf, also offer basic editing capabilities. **How do I convert a Iec 61131 3 Programming Industrial Automation Systems PDF to another file format?** There are multiple ways to convert a PDF to another format: Use online converters like Smallpdf, Zamzar, or Adobe Acrobats export feature to convert PDFs to formats like Word, Excel, JPEG, etc. Software like Adobe Acrobat, Microsoft Word, or other PDF editors may have options to export or save PDFs in different formats. **How do I password-protect a Iec 61131 3 Programming Industrial Automation Systems PDF?** Most PDF editing software allows you to add password protection. In Adobe Acrobat, for instance, you can go to "File" -> "Properties" -> "Security" to set a password to restrict access or editing capabilities. Are there any free alternatives to Adobe Acrobat for working with PDFs? Yes, there are many free alternatives for working with PDFs, such as: LibreOffice: Offers PDF editing features. PDFsam: Allows splitting, merging, and editing PDFs. Foxit Reader: Provides basic PDF viewing and editing capabilities. How do I compress a PDF file? You can use online tools like Smallpdf, ILovePDF, or desktop software like Adobe Acrobat to compress PDF files without significant quality loss. Compression reduces the file size, making it easier to share and download. Can I fill out forms in a PDF file? Yes, most PDF viewers/editors like Adobe Acrobat, Preview (on Mac), or various online tools allow you to fill out forms in PDF files by selecting text fields and entering information. Are there any restrictions when working with PDFs? Some PDFs might have restrictions set by their creator, such as password protection, editing restrictions, or print restrictions. Breaking these

restrictions might require specific software or tools, which may or may not be legal depending on the circumstances and local laws.

**Find Iec 61131 3 Programming Industrial Automation Systems :**

[54-2353 online business for beginners United States](#) [54-702 online affiliate marketing apps for creators](#) [54-2135 affiliate marketing apps ideas USA](#) [54-487 luxury travel ideas United States](#) [54-1129 luxury travel for beginners for entrepreneurs](#) [54-736 home organization for beginners print on demand tools USA](#) [54-492 print on demand tools United States business](#) [54-164 resume writing roadmap USA](#) [54-389 resume writing for creators](#) [54-2402 online privacy ideas for entrepreneurs](#) [54-1517 54-519 minimalist lifestyle for beginners United States](#) [54-2943 54-2531 parenting tips tips America](#) [54-2192 parenting tips tips America study United States](#) [54-79 remote work case study for startups](#) [54-1555 cybersecurity tips for startups](#) [54-1236 cybersecurity tools America](#) [54-1393 mobile app ideas for beginners America](#) [54-550 mobile app ideas fitness routines roadmap for entrepreneurs](#) [54-857 fitness routines marketing review USA](#) [54-2225 affiliate marketing review for startups entrepreneurs](#) [54-469 blog monetization explained for small business](#)

**Iec 61131 3 Programming Industrial Automation Systems :**

[beginner database design using microsoft sql server](#) - Jul 19 2023  
web sep 17 2012 basic yet practical design methods for database developers database designers and database administrators dba who know some sql programming and database design and who wish to refresh expand their **complete microsoft sql server database design masterclass** - Jan 13 2023  
web this course teaches you how to use microsoft sql server to design implement and maintain a database you will learn key concepts such as database design query writing and stored procedure creation  
[sql for beginners with microsoft sql server database udemy](#) - Apr 04 2022  
web sql for beginners with microsoft sql server database step by step guide for learning sql go from zero to hero and learn

sql with microsoft sql server database 4 4 278 ratings 873 students created by anil batra last updated 6 2021 english english auto what you ll learn database fundamentals database structure how to restore a backup

*database design for beginners microsoft sql server ssms* - May 05 2022

web apr 11 2022 database design for beginners microsoft sql server ssms design databases using microsoft sql server and sql server management studio database design is the organization of data according to a database model the designer determines what data must be stored and how the data elements interrelate

**database design concepts with sql server management studio** - Jun 18 2023

web dec 7 2020 to start designing your sql database with sql server management studio ssms you must have some design plan in your mind it is not easy without knowing the core concepts of database designing however once you get these concepts and their implementation you naturally start following the design principles

**tutorial design your first relational database using ssms azure sql** - Mar 15 2023

web mar 21 2023 in this tutorial you learn how to use the azure portal and sql server management studio ssms to create a database using the azure portal set up a server level ip firewall rule using the azure portal connect to the database with ssms create tables with ssms

**tutorial getting started with the database engine sql server** - Mar 03 2022

web mar 3 2023 lesson 1 connecting to the database engine in this lesson you will learn how to connect to the database engine and enable additional people to connect lesson 2 connecting from another computer

*database design for beginners microsoft sql server ssms* - Aug 20 2023

web database design is the organization of data according to a database model the designer determines what data must be stored and how the data elements interrelate with this information they can begin to fit the data to the database model database management system manages the data accordingly

**design develop database in microsoft sql server youtube** - Jun 06 2022

web learn how to design develop database in microsoft sql server database design step by step beginner tutorial using sql server complete microsoft sql serve

*a beginner s guide to sql database design stack overflow* - Nov 11 2022

web 7 answers sorted by 60 i started with this book relational database design clearly explained the morgan kaufmann series in data management systems paperback by jan l harrington and found it very clear and helpful

database design step by step beginner tutorial using sql server - Oct 22 2023

web jan 10 2021 if the background music bothers you go here youtu be qcifuon32cminstagram links thedevlife co instagram thedevlifereelsdiscord lin

**beginner database design sql programming using microsoft sql server** - Sep 09 2022

web sep 1 2012 learn beginning level microsoft sql server 2012 database programming and database modeling relational database design and sql structured query language programming teach by practical diagrams examples book for developers programmers systems analysts and project managers who are new to relational

*beginner database design sql programming using microsoft sql server* - Jul 07 2022

web jun 30 2016 beginner database design sql programming using microsoft sql server 2016 toth m a m phil kalman on amazon com free shipping on qualifying offers beginner database design sql programming using microsoft sql

*database design with sql server management studio ssms coursera* - Apr 16 2023

web about this guided project in this 1 hour 40 minutes long project based course you will learn how to design a database system by identifying the entities and their attributes as well as the relations between these entities furthermore you will get to implement the database system that you have designed using microsoft sql server through sql

**create a database sql server microsoft learn** - May 17 2023

web mar 30 2023 this article describes how to create a database in sql server by using sql server management studio or transact sql note to create a database in azure sql database using t sql see create database in azure sql database

**microsoft sql server for beginners udemy** - Aug 08 2022

web microsoft sql server for beginners learn sql server basic concepts 4 1 20 ratings 66 students created by valiveti sekhar last updated 6 2018 english english what you ll learn how to install sql server 2017 how to create alter drop database how to create alter drop table how to insert update and delete records from tables

sql server how to design create and maintain a database - Oct 10 2022

web designing databases implementing databases what good are sql server schemas user schema separation ten common database design mistakes design optimization optimizing databases tips on optimizing sql server database design maintenance database maintenance transact sql t sql

**sql development with ms sql server beginner to master udemy** - Dec 12 2022

web description learn how to understand and effectively write sql queries to interact with databases and build powerful datasets the whole course only uses resources that are available to all operating systems so that you can follow along from

**tutorial design a relational database in azure sql database using** - Feb 14 2023

web sep 14 2023 learn to design your first relational database in azure sql database using azure data studio tutorial design your first relational database using azure data studio azure sql database microsoft learn

**design database diagrams visual database tools microsoft** - Sep 21 2023

web mar 3 2023 the database designer is a visual tool that allows you to design and visualize a database to which you are

connected when designing a database you can use database designer to create edit or delete tables columns keys indexes relationships and constraints

[7th grade algebra worksheets online printable pdfs cuemath](#) - Apr 23 2022

web 7th grade algebra worksheets help you find a range of algebra topics in order to help students understand basic algebra including calculating and generating algebraic expressions and solving simple problems 7th grade math algebra worksheets contain topics like solving equations evaluating and simplifying algebraic expressions translating

**isbn 9780076639908 algebra 2 student edition direct textbook** - Nov 30 2022

web new used find 9780076639908 algebra 2 student edition by mcgraw hill at over 30 bookstores buy rent or sell [algebra 2 07 edition 9780618595419 textbooks com](#) - Feb 02 2023

web buy algebra 2 07 edition 9780618595419 by ron larson for up to 90 off at textbooks com

[algebra 2 with calcchat calcview student edition](#) - Aug 28 2022

web algebra 2 with calcchat calcview online teacher resources 1 year 9781647271763 165 00 key technology components available to teachers include the dynamic classroom dynamic teaching tools such as the answer presentation tool and interactive whiteboard lesson library and the dynamic assessment system

[algebra 2 pearson education](#) - Apr 04 2023

web algebra 2 foundations series chapter 1 expressions equations and inequalities get ready 1 my math video 3 1 1 patterns and expressions 4 1 2 properties of real numbers 11 1 3 algebraic expressions 18 mid chapter quiz 25 1

**Алгебра 7 клас Мерзляк 2020 in** - Mar 23 2022

web Алгебра підручник для 7 го класу Автор Мерзляк Полонський Яків Видавництво Гімназія 2020 Предмет Алгебра Клас 7 клас isbn 978 966 474 341 6 Завантажити Відповіді Любі семикласники та

**algebra second edition mit mathematics** - Sep 28 2022

web algebra group theory and geometry making up the first semester rings are first introduced about this second edition the text has been rewritten extensively incorporating suggestions by many people as well as the experience of teaching from it for 20 years i have distributed revised sections to my class

[holt algebra 2 student edition 2007 amazon com](#) - Sep 09 2023

web oct 26 2007 take students a step further in learning algebra specially written for low level learners algebra 2 covers several methods for solving quadratic equations such as factoring completing the square and graphing the text also introduces trigonometry and exponential functions vital concepts for real world applications

[algebra 2 by mark wetzel open library](#) - May 25 2022

web dec 3 2022 algebra 2 covers concepts such as linear quadratic polynomial radical and rational functions exponential

and logarithmic functions and probability and statistics complex numbers are also covered throughout the text two new chapters cover matrix features and sequencing and series

**get ready for algebra 2 math khan academy** - Jul 27 2022

web get ready for algebra 2 learn the skills that will set you up for success in polynomial operations and complex numbers equations transformations of functions and modeling with functions exponential and logarithmic relationships trigonometry and rational functions

*algebra 2 07 edition 9780131339989 textbooks com* - Jan 01 2023

web buy algebra 2 07 edition 9780131339989 by prentice hall for up to 90 off at textbooks com

year 7 algebra worksheets teaching resources tpt - Feb 19 2022

web an introduction to algebra designed for year 7 students or any student being introduced or having difficulty with algebra contains notes worked examples and problems to solve

**algebra 2 teacher s edition volume 1 archive org** - May 05 2023

web includes english and spanish glossary library owns teachers edition volume 1 practice and problem solving workbook and teacher resource sampler expressions equations and inequalities functions equations and graphs linear systems quadratic functions and equations polynomials and polynomial functions radical functions and

**algebra 2 a teaching textbook sabouri greg archive org** - Mar 03 2023

web algebra 2 a teaching textbook bookreader item preview openlibrary edition ol8584151m openlibrary work ol8841729w page number confidence 97 02 pages 774 pdf module version 0 0 18 ppi 360 rcs key 24143 republisher date 20220524102051 republisher operator associate jhoankhatelampadio antonio archive org

*algebra 2 gordon holliday berchie w berchie woods free* - Oct 10 2023

web algebra 2 student edition mcgraw hill includes index unit 1 first degree equations and inequalities unit 2 polynomial and radical equations and inequalities unit 3 advanced functions and realtions unit 4 discrete mathematics unit 5 trigonometry

**algebra 2 math khan academy** - Jul 07 2023

web the algebra 2 course often taught in the 11th grade covers polynomials complex numbers rational exponents exponential and logarithmic functions trigonometric functions transformations of functions rational functions and continuing the work with equations and modeling from previous grades

**algebra 2 mathplanet** - Oct 30 2022

web algebra 2 is the third math course in high school and will guide you through among other things linear equations inequalities graphs matrices polynomials and radical expressions quadratic equations functions exponential and logarithmic expressions sequences and series probability and trigonometry

**algebra 2 free download borrow and streaming internet** - Aug 08 2023

web 2010 topics algebra textbooks algebra publisher austin tex mcdougal littel collection inlibrary printdisabled internetarchivebooks contributor internet archive

**algebra 2 mathcanada** - Jun 25 2022

web algebra 2 is a more rigorous algebra course that builds on the previous two courses besides review and expansion of topics taught in algebra 1 the course covers advanced factoring imaginary and complex numbers conjugate numbers the binomial theorem the quadratic formula motion problems and other kinds of application problems

**algebra 2 free download borrow and streaming internet** - Jun 06 2023

web 2011 topics algebra study and teaching secondary algebra textbooks algebra publisher austin tex mcdougal littell holt mcdougal collection inlibrary printdisabled internetarchivebooks contributor internet archive language english ok29 xxii 1020 ws34 sa52 pages 28 cm grades 9 12 includes index

das ich und die abwehrmechanismen semantic scholar - Jan 12 2023

web das ich und die abwehrmechanismen inproceedings freud2013dasiu title das ich und die abwehrmechanismen author anna freud year 2013 a freud

das ich und die abwehrmechanismen anna freud s fischer - Sep 20 2023

web anna freud die tochter sigmund freuds tritt mit ihrem buch der meinung entgegen die psychoanalyse beschäftige sich ausschließlich mit dem unbewussten in wahrheit sei

*anna freud das ich und die abwehrmechanismen springerlink* - Jul 18 2023

web anna freud das ich und die abwehrmechanismen auszug abwehrmechanismen gelten als schützende mechanismen des ich gegen regungen von unlust die aus der innen

*tabellarische Übersicht über abwehrmechanismen teachsam* - Nov 29 2021

web beispiele für abwehrmechanismen die wichtigsten abwehrmechanismen und ihre funktion die

**das ich und die abwehrmechanismen anna freud google books** - Feb 13 2023

web das ich und die abwehrmechanismen anna freud fischer taschenbuch verlag 1984 defense mechanisms psychology 175 pages 0 reviews reviews aren t verified but

das ich und die abwehrmechanismen by anna freud open library - Oct 09 2022

web april 1 2008 created by an anonymous user imported from scriblio marc record das ich und die abwehrmechanismen by anna freud 1936 internationaler

freud das ich und die abwehrmechanismen beck shop de - Jul 06 2022

web der hiermit in der siebzehnten auflage vorliegende band gehört zu den unentbehrlichen lehrbüchern der psychoanalyse

anna freud die tochter sigmund freuds tritt mit  
*das ich und die abwehrmechanismen thalia* - Dec 11 2022

web der hiermit in der siebzehnten auflage vorliegende band gehört zu den unentbehrlichen lehrbüchern der psychoanalyse  
anna freud die tochter sigmund freuds tritt mit

**die abwehrmechanismen der psychoanalyse** - Mar 02 2022

web jeder mensch neigt dazu dinge die mit ihm in konflikt sehen durch den einsatz von sogenannten abwehrmechanismen zu bewältigen anna freud die tochter vom

**abwehrmechanismus wikipedia** - Apr 15 2023

web in der theoriesprache der freudschen psychoanalyse bezeichnet der begriff weitgehend unbewusst ablaufende reaktionen die das ich zur abwehr unerwünschter triebimpulse

**das ich und die abwehrmechanismen anna freud book2look** - May 04 2022

web das ich und die abwehrmechanismen anna freud der hiermit in der siebzehnten auflage vorliegende band gehört zu den unentbehrlichen lehrbüchern der

**abwehrmechanismen freud definition beispiele studysmarter** - Apr 03 2022

web abwehrmechanismen das wichtigste abwehrmechanismen sind denkweisen die dazu dienen schmerzhaft bedrohliche oder inakzeptable situationen impulse freud

**das ich und die abwehrmechanismen apa psycnet** - Aug 19 2023

web das ich und die abwehrmechanismen das ich und die abwehrmechanismen citation freud a 1936 das ich und die abwehrmechanismen the ego and the defense

**anna freud das ich und die abwehrmechanismen springer** - May 16 2023

web abwehrmechanismen gelten als schützende mechanismen des ich gegen regungen von unlust die aus der innen oder außenwelt des menschen stammen meistens besteht

**the ego and mechanisms of defense work by anna freud** - Mar 14 2023

web ich und die abwehrmechanismen 1936 the ego and mechanisms of defense 1937 gave a strong new impetus to ego psychology the principal human defense

*das ich und die abwehrmechanismen irwish* - Nov 10 2022

web trotzdem entgleitet uns die vorstellung des Über ichs wo ich und ober ich miteinander einig sind wir sagen dann ich und Über ich fallen zusammen d h das Über ich als

**das ich und die abwehrmechanismen amazon de** - Jun 17 2023

web das ich und die abwehrmechanismen freud anna amazon de bücher bücher ratgeber psychologie hilfe neu 13 00

kostenfreie retouren mittwoch 5 juli

**anna freud das ich und die abwehrmechanismen request** - Jun 05 2022

web eine beschreibung eines der standardwerke der psychoanalyse von anna freud 1936 zum thema abwehrmechanismen

diese gelten als schützende mechanismen des ich

das ich und die abwehrmechanismen archive org - Sep 08 2022

web i druck christophreisser ssöhne wienv printedinaustria i a theoriederabwehrmechanismen i lkapitel

*abwehrmechanismen springerlink* - Aug 07 2022

web freud a 1936 1974 das ich und die abwehrmechanismen münchen kindler google scholar hättich e 1989 die  
therapeutische entwicklung benigner projektion und

**das ich und die abwehrmechanismen amazon de** - Feb 01 2022

web anna freud das ich und die abwehrmechanismen taschenbuch 1 januar 1964 von anna freud autor 88 sternbewertungen  
alle formate und editionen anzeigen

das ich und die abwehrmechanismen archive org - Oct 21 2023

web das ich und die abwehrmechanismen by freud anna 1895 1982 verfassung publication date 1936 topics psychoanalyse  
psychoanalysis internationaler psychoanalytischer

**abwehrmechanismen teachsam** - Dec 31 2021

web Überblick tabellarische Übersicht über die wichtigsten abwehrmechanismen des ichs zur abwehr von Über ich und es  
ansprüchen formen Überblick sekundäre