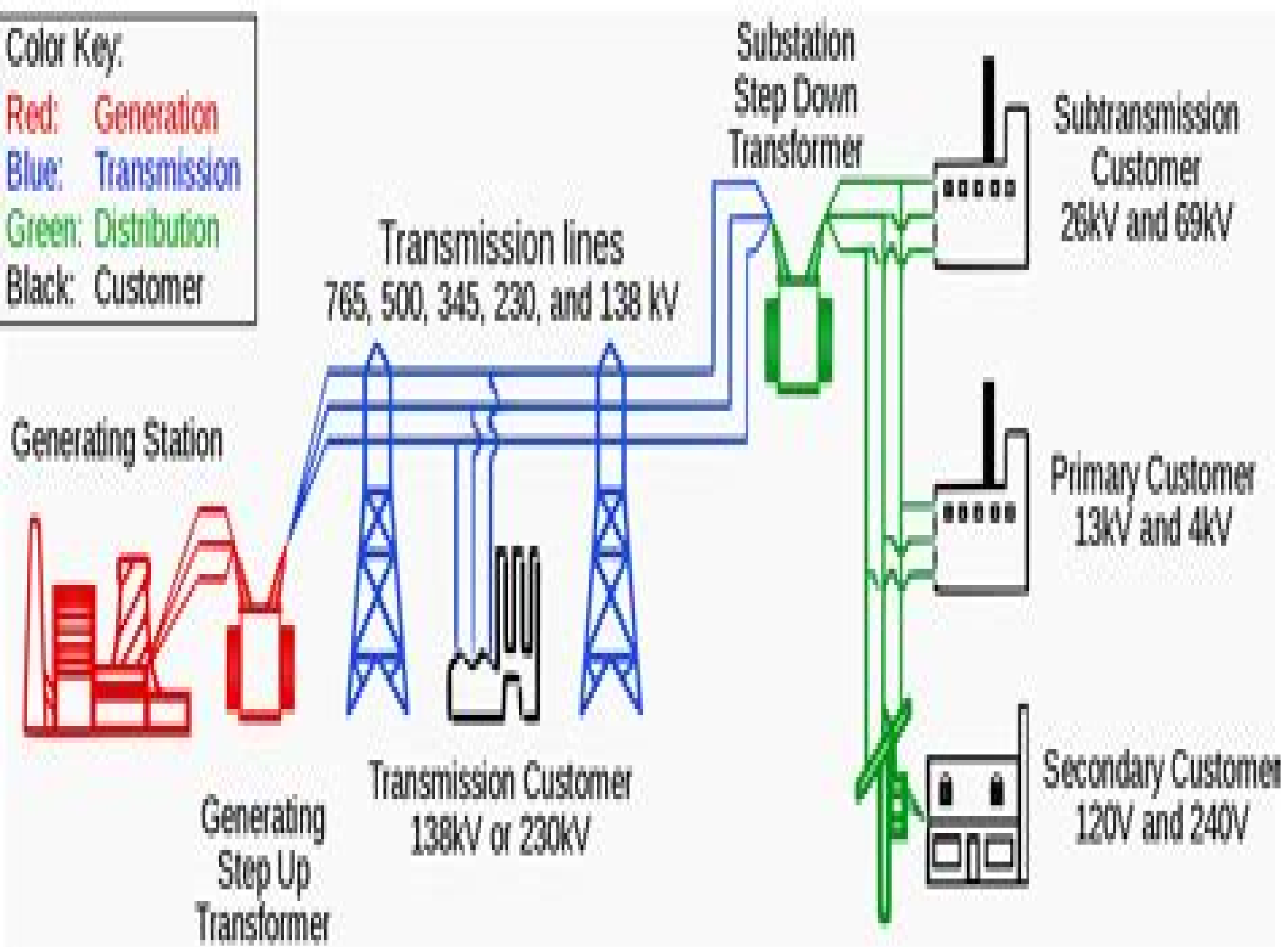


Color Key:
Red: Generation
Blue: Transmission
Green: Distribution
Black: Customer



Synchronizing Electrical Substation Electric Power System

A Gutmann



Synchronizing Electrical Substation Electric Power System:

Recognizing the habit ways to acquire this book **Synchronizing Electrical Substation Electric Power System** is additionally useful. You have remained in right site to begin getting this info. acquire the Synchronizing Electrical Substation Electric Power System partner that we find the money for here and check out the link.

You could buy guide Synchronizing Electrical Substation Electric Power System or acquire it as soon as feasible. You could quickly download this Synchronizing Electrical Substation Electric Power System after getting deal. So, later you require the book swiftly, you can straight get it. Its correspondingly unquestionably easy and appropriately fats, isnt it? You have to favor to in this publicize

https://py.bijouxmedusa.com/About/Resources/fetch.php/exam_70_698_installing_and_configuring_windows_10_training.pdf

Table of Contents Synchronizing Electrical Substation Electric Power System

1. Understanding the eBook Synchronizing Electrical Substation Electric Power System
 - The Rise of Digital Reading Synchronizing Electrical Substation Electric Power System
 - Advantages of eBooks Over Traditional Books
2. Identifying Synchronizing Electrical Substation Electric Power System
 - Exploring Different Genres
 - Considering Fiction vs. Non-Fiction
 - Determining Your Reading Goals
3. Choosing the Right eBook Platform
 - Popular eBook Platforms
 - Features to Look for in an Synchronizing Electrical Substation Electric Power System
 - User-Friendly Interface
4. Exploring eBook Recommendations from Synchronizing Electrical Substation Electric Power System
 - Personalized Recommendations
 - Synchronizing Electrical Substation Electric Power System User Reviews and Ratings
 - Synchronizing Electrical Substation Electric Power System and Bestseller Lists

5. Accessing Synchronizing Electrical Substation Electric Power System Free and Paid eBooks
 - Synchronizing Electrical Substation Electric Power System Public Domain eBooks
 - Synchronizing Electrical Substation Electric Power System eBook Subscription Services
 - Synchronizing Electrical Substation Electric Power System Budget-Friendly Options
6. Navigating Synchronizing Electrical Substation Electric Power System eBook Formats
 - ePub, PDF, MOBI, and More
 - Synchronizing Electrical Substation Electric Power System Compatibility with Devices
 - Synchronizing Electrical Substation Electric Power System Enhanced eBook Features
7. Enhancing Your Reading Experience
 - Adjustable Fonts and Text Sizes of Synchronizing Electrical Substation Electric Power System
 - Highlighting and Note-Taking Synchronizing Electrical Substation Electric Power System
 - Interactive Elements Synchronizing Electrical Substation Electric Power System
8. Staying Engaged with Synchronizing Electrical Substation Electric Power System
 - Joining Online Reading Communities
 - Participating in Virtual Book Clubs
 - Following Authors and Publishers Synchronizing Electrical Substation Electric Power System
9. Balancing eBooks and Physical Books Synchronizing Electrical Substation Electric Power System
 - Benefits of a Digital Library
 - Creating a Diverse Reading Collection Synchronizing Electrical Substation Electric Power System
10. Overcoming Reading Challenges
 - Dealing with Digital Eye Strain
 - Minimizing Distractions
 - Managing Screen Time
11. Cultivating a Reading Routine Synchronizing Electrical Substation Electric Power System
 - Setting Reading Goals Synchronizing Electrical Substation Electric Power System
 - Carving Out Dedicated Reading Time
12. Sourcing Reliable Information of Synchronizing Electrical Substation Electric Power System
 - Fact-Checking eBook Content of Synchronizing Electrical Substation Electric Power System
 - Distinguishing Credible Sources
13. Promoting Lifelong Learning

- Utilizing eBooks for Skill Development
 - Exploring Educational eBooks
14. Embracing eBook Trends
- Integration of Multimedia Elements
 - Interactive and Gamified eBooks

Synchronizing Electrical Substation Electric Power System Introduction

Free PDF Books and Manuals for Download: Unlocking Knowledge at Your Fingertips In today's fast-paced digital age, obtaining valuable knowledge has become easier than ever. Thanks to the internet, a vast array of books and manuals are now available for free download in PDF format. Whether you are a student, professional, or simply an avid reader, this treasure trove of downloadable resources offers a wealth of information, conveniently accessible anytime, anywhere. The advent of online libraries and platforms dedicated to sharing knowledge has revolutionized the way we consume information. No longer confined to physical libraries or bookstores, readers can now access an extensive collection of digital books and manuals with just a few clicks. These resources, available in PDF, Microsoft Word, and PowerPoint formats, cater to a wide range of interests, including literature, technology, science, history, and much more. One notable platform where you can explore and download free Synchronizing Electrical Substation Electric Power System PDF books and manuals is the internet's largest free library. Hosted online, this catalog compiles a vast assortment of documents, making it a veritable goldmine of knowledge. With its easy-to-use website interface and customizable PDF generator, this platform offers a user-friendly experience, allowing individuals to effortlessly navigate and access the information they seek. The availability of free PDF books and manuals on this platform demonstrates its commitment to democratizing education and empowering individuals with the tools needed to succeed in their chosen fields. It allows anyone, regardless of their background or financial limitations, to expand their horizons and gain insights from experts in various disciplines. One of the most significant advantages of downloading PDF books and manuals lies in their portability. Unlike physical copies, digital books can be stored and carried on a single device, such as a tablet or smartphone, saving valuable space and weight. This convenience makes it possible for readers to have their entire library at their fingertips, whether they are commuting, traveling, or simply enjoying a lazy afternoon at home. Additionally, digital files are easily searchable, enabling readers to locate specific information within seconds. With a few keystrokes, users can search for keywords, topics, or phrases, making research and finding relevant information a breeze. This efficiency saves time and effort, streamlining the learning process and allowing individuals to focus on extracting the information they need. Furthermore, the availability of free PDF books and manuals fosters a culture of continuous learning. By removing financial barriers, more people can access educational

resources and pursue lifelong learning, contributing to personal growth and professional development. This democratization of knowledge promotes intellectual curiosity and empowers individuals to become lifelong learners, promoting progress and innovation in various fields. It is worth noting that while accessing free Synchronizing Electrical Substation Electric Power System PDF books and manuals is convenient and cost-effective, it is vital to respect copyright laws and intellectual property rights. Platforms offering free downloads often operate within legal boundaries, ensuring that the materials they provide are either in the public domain or authorized for distribution. By adhering to copyright laws, users can enjoy the benefits of free access to knowledge while supporting the authors and publishers who make these resources available. In conclusion, the availability of Synchronizing Electrical Substation Electric Power System free PDF books and manuals for download has revolutionized the way we access and consume knowledge. With just a few clicks, individuals can explore a vast collection of resources across different disciplines, all free of charge. This accessibility empowers individuals to become lifelong learners, contributing to personal growth, professional development, and the advancement of society as a whole. So why not unlock a world of knowledge today? Start exploring the vast sea of free PDF books and manuals waiting to be discovered right at your fingertips.

FAQs About Synchronizing Electrical Substation Electric Power System Books

1. Where can I buy Synchronizing Electrical Substation Electric Power System books? Bookstores: Physical bookstores like Barnes & Noble, Waterstones, and independent local stores. Online Retailers: Amazon, Book Depository, and various online bookstores offer a wide range of books in physical and digital formats.
2. What are the different book formats available? Hardcover: Sturdy and durable, usually more expensive. Paperback: Cheaper, lighter, and more portable than hardcovers. E-books: Digital books available for e-readers like Kindle or software like Apple Books, Kindle, and Google Play Books.
3. How do I choose a Synchronizing Electrical Substation Electric Power System book to read? Genres: Consider the genre you enjoy (fiction, non-fiction, mystery, sci-fi, etc.). Recommendations: Ask friends, join book clubs, or explore online reviews and recommendations. Author: If you like a particular author, you might enjoy more of their work.
4. How do I take care of Synchronizing Electrical Substation Electric Power System books? Storage: Keep them away from direct sunlight and in a dry environment. Handling: Avoid folding pages, use bookmarks, and handle them with clean hands. Cleaning: Gently dust the covers and pages occasionally.
5. Can I borrow books without buying them? Public Libraries: Local libraries offer a wide range of books for borrowing.

- Book Swaps: Community book exchanges or online platforms where people exchange books.
6. How can I track my reading progress or manage my book collection? Book Tracking Apps: Goodreads, LibraryThing, and Book Catalogue are popular apps for tracking your reading progress and managing book collections. Spreadsheets: You can create your own spreadsheet to track books read, ratings, and other details.
 7. What are Synchronizing Electrical Substation Electric Power System audiobooks, and where can I find them? Audiobooks: Audio recordings of books, perfect for listening while commuting or multitasking. Platforms: Audible, LibriVox, and Google Play Books offer a wide selection of audiobooks.
 8. How do I support authors or the book industry? Buy Books: Purchase books from authors or independent bookstores. Reviews: Leave reviews on platforms like Goodreads or Amazon. Promotion: Share your favorite books on social media or recommend them to friends.
 9. Are there book clubs or reading communities I can join? Local Clubs: Check for local book clubs in libraries or community centers. Online Communities: Platforms like Goodreads have virtual book clubs and discussion groups.
 10. Can I read Synchronizing Electrical Substation Electric Power System books for free? Public Domain Books: Many classic books are available for free as they're in the public domain. Free E-books: Some websites offer free e-books legally, like Project Gutenberg or Open Library.

Find Synchronizing Electrical Substation Electric Power System :

exam 70 698 installing and configuring windows 10 training

everyday enlightenment the twelve gateways to personal growth dan millman

~~experiments in electronic devices to accompany floyd electronic devices and electronic devices electron flow version~~

entrepreneurship 8th edition by timmons

~~entrepreneurship successfully launching new ventures~~

~~eternal glory of baba nand singh ji maharaj nanaksar~~

enterprise application development with ext js and spring

ent mcqs with answers

fanuc om parameters manual sirkle

examples solid liquid extraction units

faktor faktor kepuasan pelanggan dan loyalitas pelanggan

factoring trinomials guided notes laurens county schools

environmental engineering duggal

essential elements for brand identity 100 principles for designing logos and building brands design essentials

entrepreneurial finance 6th edition adelman answers

Synchronizing Electrical Substation Electric Power System :

forming sentences hindi learning simplified amazon in - May 12 2023

web language linguistics writing language learning teaching buy new 2 216 00 inclusive of all taxes 30 delivery saturday 4 november order within 17 hrs 16 mins details select delivery location sold by atlantic publishers and distributors and delivered by amazon quantity add to cart buy now secure transaction new 2 from

make hindi sentences hindi learning simplified en 2022 - Mar 30 2022

web learn hindi level 1 introduction to hindi essential hindi grammar learn arabic english hindi speaking 10 000 sentences with useful 46 patterns 3 minute hindi make hindi sentences hindi learning simplified en downloaded from ftp bonide com by guest rhett essence learn hindi sentence structure made easy v s publishers this is

make hindi sentences hindi learning simplified ebook amazon in - Aug 15 2023

web make hindi sentences hindi learning simplified 1 0 edition kindle edition by kavita singh author prayank author format kindle edition learn how to structure the different kinds of basic sentences in hindi including interrogative questions sentences

hindi learning simplified part ii forming sentences goodreads - Dec 27 2021

web kindle 1 99 rate this book hindi learning simplified part ii forming sentences kavita singh prayank with 4 00 2 ratings0 reviews learn how to structure the different kinds of basic sentences in hindi including interrogative questions sentences this learn to speak and understand hindi course lets you

make hindi sentences hindi learning simplified en pdf dotnbm - Jul 02 2022

web learn thai learn hindi through english make hindi sentences hindi learning simplified en downloaded from dotnbm com by guest rigoberto vang learn punjabi english hindi speaking 10 000 sentences with useful 46 patterns university of hawaii press thai is a fun language to learn the problem is most learning materials are costly

make hindi sentences hindi learning simplified en ftp bonide - Feb 26 2022

web hindi phrases make hindi sentences hindi learning simplified en downloaded from ftp bonide com by guest jaidyn petty hindi flash cards kit createspace learn hindi sentence structure made easy is the essential guide to learning hindi for beginners this book is a step by step course designed specifically for learners who are from an english

how to form simple sentences in hindi linguashop com - Jul 14 2023

web how to form simple sentences in hindi you want to learn how to form simple sentences in hindi you ve come to the right place scroll down and see the short hindi lessons complete with useful examples the house is big the book is old we make forming simple hindi sentences easy

the ease of learning with an online hindi class superprof - Mar 10 2023

web hindi sentences by construction hindi sentences by meaning hindi sentence type 1 by construction the sentences that are classified according to their construction can be further divided into three types simple sentences these are called saral vakya in hindi for example ek ladki khel rahi thi a girl was playing

simple sentences in hindi definition and examples - Jan 08 2023

web aug 28 2021 how to make simple sentences in hindi simple sentences of present tense present indefinite tense sentences present continuous tense sentences present perfect tense sentences present perfect continuous tense sentences simple sentences of past tense in hindi past indefinite tense sentences in hindi past

how to create simple sentences in basic hindi level 2 udemy - Apr 11 2023

web how to create simple sentences in basic hindi level 2 course for learning simple hindi sentences formation 0 0 0 ratings 360 students created by think think solutions 7 last updated 11 2021 english what you ll learn using past present future tense in simple tenses formation of simple sentences in hindi

building sentences in hindi superprof - Jun 13 2023

web the affirmative form this type of sentence is used to express something that is true in the example below you will also notice the use of the at the end of the sentence it is called poorn viraam in hindi which simply means full stop john is *make hindi sentences hindi learning simplified en pdf* - Oct 05 2022

web make hindi sentences hindi learning simplified en learn hindi through telugu with cd telugu to hindi learning course may 30 2020 india is a vast country of continental size despite increasing literacy english continues to be the link language for want of acceptable language within the country however hindi still remains the language

make hindi sentences hindi learning simplified ebook - Jan 28 2022

web make hindi sentences hindi learning simplified ebook singh kavita prayank amazon com au kindle store

[make hindi sentences hindi learning simplified en 2022](#) - Jun 01 2022

web learn hindi sentence structure made easy essential hindi hindi learning simplified part ii learn hindi through telugu with cd telugu to hindi learning course learn hindi level 3 beginner hindi english expert translator hindi se english translation mai step by step purn dakshta ke liye hindi language for kids and beginners learn thai

learn how to make hindi sentences easily youtube - Oct 17 2023

web oct 7 2023 learn how to make hindi sentences easily watch and learn hindi 67k subscribers subscribe 3 share 6 views 3

minutes ago hindisentences hindiwords hindithroughenglish get

[make hindi sentences hindi learning simplified en download](#) - Apr 30 2022

web learn hindi level 1 introduction to hindi 12 varsh vaar ctet paper 1 solved papers 2011 2019 hindi edition make hindi sentences hindi learning simplified en downloaded from careers schellgames com by guest black kody learn hindi through english lulu com over the years india has become one of the most popular vacation

exploring verb frames for sentence simplification in hindi - Sep 04 2022

web oct 1 2013 this paper addresses the task of simplifying complex sentences in hindi into multiple simple sentences using a rule based approach that utilizes two linguistic resources viz verb demand frames and conjuncts list

[make hindi sentences hindi learning simplified en pdf](#) - Nov 25 2021

web 2017 09 20 learn hindi sentence structure made easy is the essential guide to learning hindi for beginners this book is a step by step course designed specifically for learners who are from an english speaking background

[make hindi sentences hindi learning simplified by kavita singh goodreads](#) - Sep 16 2023

web may 9 2013 this learn to speak and understand hindi course lets you put the words in proper order to form correct sentences check for gender or number mistakes in words used speak out these sentences in correct manner make simple talk with people in hindi put questions to others in hindi arrange hindi words and phrases to create

sentence meaning in hindi [] [] [] [] [] [] [] [] **translation** - Nov 06 2022

web sentence meaning in hindi get meaning and translation of sentence in hindi language with grammar antonyms synonyms and sentence usages by shabdKhoj know answer of question what is meaning of sentence in hindi sentence ka matalab hindi me kya hai sentence [] [] [] [] [] [] [] [] sentence meaning in hindi [] [] [] [] [] [] is

make hindi sentences hindi learning simplified en pdf - Aug 03 2022

web let s learn hindi hindi learning simplified part ii practice makes perfect basic hindi 1000 hindi words sentences spoken hindi through english learn hindi through telugu with cd telugu to hindi learning course learn hindi level 1 introduction to hindi hindi make hindi sentences hindi learning simplified en downloaded from

[make hindi sentences hindi learning simplified en pdf web mei](#) - Dec 07 2022

web number mistakes in words used speak out these sentences in correct manner make simple talk with people in hindi put questions to others in hindi arrange hindi words and phrases to create grammatical and sensible hindi sentences learn hindi writing activity workbook innovative language learning

make hindi sentences hindi learning simplified en kevin lee - Feb 09 2023

web making their own sentences learn hindi level 2 absolute beginner innovative language learning 2017 11 08 interactive effective and fun start speaking hindi in minutes and learn key vocabulary phrases and grammar in just minutes more with

learn hindi level 2 absolute beginner a completely new way to learn hindi with ease

centomila gavette di ghiaccio ediz integrale libracci it - Feb 01 2023

web consultare utili recensioni cliente e valutazioni per centomila gavette di ghiaccio ediz integrale su amazon it consultare recensioni obiettive e imparziali sui prodotti fornite

centomila gavette di ghiaccio ediz integrale pdf - Mar 22 2022

web getting this info get the centomila gavette di ghiaccio ediz integrale partner that we allow here and check out the link you could purchase lead centomila gavette di

biko google groups - Feb 18 2022

web consultare utili recensioni cliente e valutazioni per centomila gavette di ghiaccio ediz integrale su amazon it consultare recensioni obiettive e imparziali sui prodotti fornite

centomila gavette di ghiaccio ediz integrale formato kindle - Nov 17 2021

centomila gavette di ghiaccio ediz integrale formato kindle - Sep 08 2023

web fotografia nitida della ritirata in russia del 1943 recensito in italia il 8 novembre 2022 acquisto verificato centomila gavette di ghiaccio è un romanzo autobiografico di

centomila gavette di ghiaccio ediz integrale acquisti online su - Aug 27 2022

web find many great new used options and get the best deals for centomila gavette di ghiaccio ediz integrale at the best online prices at ebay free shipping for many

centomila gavette di ghiaccio ediz integrale paperback - May 24 2022

web 2 centomila gavette di ghiaccio ediz integrale 2023 09 05 baltic states defending germany s eastern frontiers from communist subversion while ignoring the calls to

amazon it recensioni clienti centomila gavette di ghiaccio ediz - Nov 29 2022

web mar 28 2021 amazon com centomila gavette di ghiaccio ediz integrale italian edition ebook bedeschi giulio kindle store

centomila gavette di ghiaccio ediz integrale libreria ibs - Aug 07 2023

web centomila gavette di ghiaccio ediz integrale è un libro di giulio bedeschi pubblicato da ugo mursia editore nella collana testimonianze fra cronaca e storia acquista su

centomila gavette di ghiaccio ediz integrale italian edition - Sep 27 2022

web centomila gavette di ghiaccio tratta dell esperienza bellica del sottotenente medico italo serri pseudonimo dietro il quale si cela bedeschi stesso durante la seconda guerra

centomila gavette di ghiaccio ediz integrale giulio - May 04 2023

web centomila gavette di ghiaccio ediz integrale è un libro di giulio bedeschi pubblicato da ugo mursia editore leggi le recensioni degli utenti e acquistalo online su ibs

amazon it recensioni clienti centomila gavette di ghiaccio ediz - Dec 19 2021

centomila gavette di ghiaccio ediz integrale bedeschi giulio - Jun 05 2023

web centomila gavette di ghiaccio ediz integrale ebook bedeschi giulio amazon it libri

centomila gavette di ghiaccio ediz integrale - Apr 22 2022

web you don t have permission to access this content for access try logging in if you are subscribed to this group and have noticed abuse report abusive group

centomila gavette di ghiaccio ediz integrale formato kindle - Apr 03 2023

web pubblicato nel 1963 centomila gavette di ghiaccio ebbe subito uno straordinario successo ottenendo l anno successivo il prestigioso premio bancarella centomila

centomila gavette di ghiaccio ediz integrale for sale online ebay - Jun 24 2022

web centomila gavette di ghiaccio ediz integrale is available in our book collection an online access to it is set as public so you can get it instantly our book servers spans in multiple

centomila gavette di ghiaccio ediz integrale giulio bedeschi - Oct 29 2022

web le migliori offerte per centomila gavette di ghiaccio ediz integrale sono su ebay confronta prezzi e caratteristiche di prodotti nuovi e usati molti articoli con consegna gratis

centomila gavette di ghiaccio ediz integrale libreria universitaria - Dec 31 2022

web centomila gavette di ghiaccio ediz integrale è un libro di bedeschi giulio pubblicato da ugo mursia editore nella collana testimonianze fra cronaca e storia sconto 5 isbn

centomila gavette di ghiaccio ediz integrale amazon it - Oct 09 2023

web centomila gavette di ghiaccio è un romanzo autobiografico di giulio bedeschi composto tra il 1945 ed il 1946 e pubblicato originalmente nel febbraio 1963 per l editore mursia

centomila gavette di ghiaccio ediz integrale lafeltrinelli - Jul 06 2023

web centomila gavette di ghiaccio ediz integrale bedeschi giulio amazon it libri passa al contenuto principale it ciao scegli il tuo indirizzo libri seleziona la categoria in cui

centomila gavette di ghiaccio ediz integrale giorgio faletti - Jan 20 2022

web centomila gavette di ghiaccio ediz integrale ebook bedeschi giulio amazon it libri

recensioni centomila gavette di ghiaccio ediz integrale - Mar 02 2023

web centomila gavette di ghiaccio ediz integrale di giulio bedeschi scrivi una recensione editore ugo mursia editore collana testimonianze fra cronaca e storia data di

centomila gavette di ghiaccio wikipedia - Jul 26 2022

web centomila gavette di ghiaccio ediz integrale bedeschi giulio amazon com au books

miss daisy is crazy pages 1 50 flip pdf download fliphtml5 - Oct 10 2022

web dec 25 2020 miss daisy is crazy pages 1 50 flip pdf download fliphtml5 home explore miss daisy is crazy like this book you can publish your book online for free in a few minutes create your own flipbook miss daisy is crazy published by sk

pendek digital library 2020 12 25 18 36 01 description author dan gutman miss daisy is

miss daisy is crazy gutman dan free download borrow and - Feb 14 2023

web miss daisy s unusual teaching methods surprise her second grade students especially reluctant learner a j ages 7 10

miss daisy is crazy dan gutman read aloud youtube - Jul 19 2023

web mar 20 2020 miss daisy is crazy by dan gutman read aloud books read myweirdschool readingcounts rc overall genre fiction genre type humorous fiction jokes riddles series skills cause effect

miss daisy is crazy kirkus reviews - Jun 18 2023

web jul 1 2004 in the tradition of sachar pilkey pinkerton and scieszka gutman makes a splash with his new series for the just ready for chapter books readers when miss daisy can t understand multiplication her helpful class explains it when she can t spell a word her students teach her

miss daisy is crazy flashcards quizlet - Feb 02 2022

web study with quizlet and memorize flashcards containing terms like what surprise did miss daisy bring to school what is a j s favorite sport of all time how long is a football field and more fresh features from the 1 ai enhanced learning platform

miss daisy is crazy goodreads - May 17 2023

web miss daisy is crazy dan gutman jim paillot illustrator 4 06 9 953 ratings508 reviews something weird is going on miss daisy who teaches second grade doesn t know how to add or subtract not only that she doesn t know how to read or write either she is the dumbest teacher in the history of the world

miss daisy chapter 1 worksheet live worksheets - Aug 08 2022

web feb 24 2021 school subject english as a second language esl 1061958 main content reading comprehension 2013243

miss daisy is crazy chapter 1 reading comprehension workshop

miss daisy is crazy my weird school series plugged in - Nov 11 2022

web parents bring video game systems to the school for one night and mr klutz dresses up like a gorilla a j plays video games until he s sick of them and says it s the best night of his life the next day miss daisy tells the kids she knows nothing about

history

my weird school 1 miss daisy is crazy my weird school series - Mar 15 2023

web oct 31 2008 with more than 31 million books sold the my weird school series really gets kids reading in the first my weird school book ever second grade teacher miss daisy is in over her head at ella mentary school she doesn t even know how to add or subtract

my weird school 1 miss daisy is crazy amazon com - Aug 20 2023

web my weird school 1 miss daisy is crazy gutman dan paillot jim 9780060507008 amazon com books children s books growing up facts of life enjoy fast free delivery exclusive deals and award winning movies tv shows with prime try prime and start saving today with fast free delivery kindle 0 00 audiobook 0 00

miss daisy is crazy quotes by dan gutman goodreads - Jul 07 2022

web miss daisy seemed like a pretty cool lady for a teacher anybody who hated school and liked to sit around watching tv and eating chocolate treats was okay by me me and miss daisy had a lot in common maybe going to school wouldn t be so terrible after all dan gutman miss daisy is crazy

miss daisy is crazy read aloud chapters 5 6 youtube - Jun 06 2022

web miss daisy is crazy read aloud chapters 5 6 mr swart 157 subscribers subscribe 1 1k views 2 years ago ttqa discussion questions what would you want to be when you grow up do you think

read aloud miss daisy is crazy youtube - Sep 09 2022

web apr 28 2020 mrs moseley reads chapter 1 of my weird school 1 miss daisy is crazy by dan gutman miss daisy who teaches second grade doesn t know how to add or subtract not only that she doesn t

[miss daisy is crazy my weird school wiki fandom](#) - Apr 16 2023

web miss daisy is crazy is the first book in the my weird school series miss daisy was the second grade teacher she doesn t know how to read write or do math she doesn t know anything she also hates school just like a j the kids tried to teach her math but she didn t understand it miss

my weird school 1 miss daisy is crazy [] [] [] [] - Mar 03 2022

web [] [] [] [] something weird is going on miss daisy who teaches second grade doesn t know how to add or subtract not only that she doesn t know how to read or write either she is the dumbest teacher in the history of the world [] [] my weird school 1 miss daisy is crazy [] [] [] []

my weird school 1 miss daisy is crazy google books - Jan 01 2022

web jun 29 2004 for a j and the gang at ella mentry school weirdness and fun are all part of the routine in this first book in the outrageously funny my weird school series second grade teacher miss daisy is in over her head she doesn t even know

how to add or subtract but the kids have other things on their minds principal klutz has promised that

miss daisy is crazy my weird school series 1 paperback - Dec 12 2022

web jun 29 2004 miss daisy is crazy my weird school series 1 by dan gutman jim paillot paperback barnes noble home kids books buy 1 get 1 50 off lorem ipsum dolor nam faucibus tellus nec varius faucibus lorem nisl

my weird school 1 miss daisy is crazy by dan gutman youtube - Apr 04 2022

web may 12 2020 subscribe my channel bit ly 2cikvbq

miss daisy is crazy youtube - May 05 2022

web miss daisy is crazy ab the professional reader 4 01k subscribers subscribe 29k views 1 year ago disclaimer this video is for educational purpose only copyright disclaimer under section 107 of

miss daisy is crazy read online free without download - Jan 13 2023

web miss daisy is crazy read free ebook by dan gutman in online reader directly on the web page select files or add your book in reader