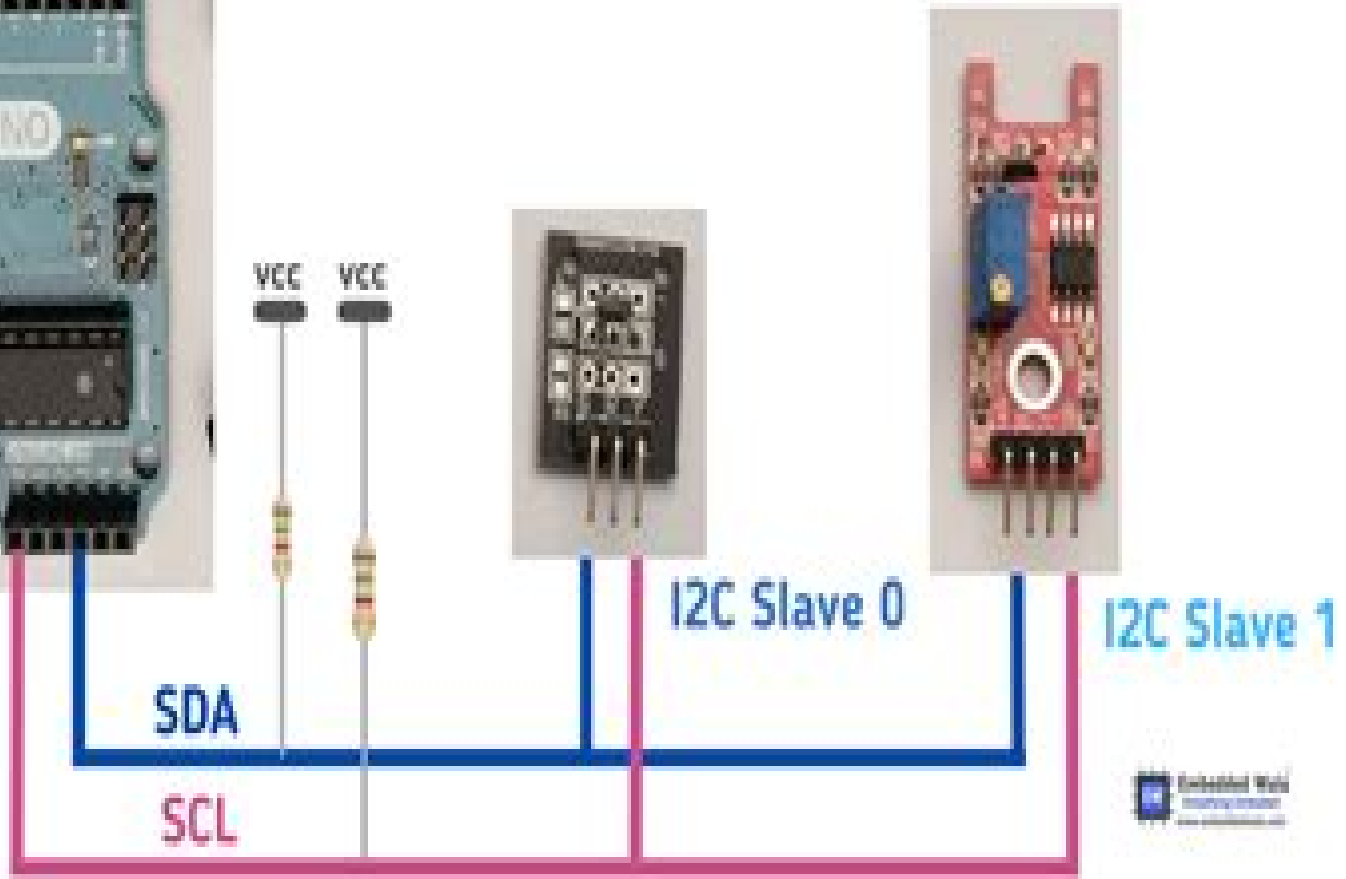


# I2C



I2C Master



# I2c C Master

**Chao Zhang**



**I2c C Master:**

Delve into the emotional tapestry woven by Emotional Journey with in Experience **I2c C Master** . This ebook, available for download in a PDF format ( PDF Size: \*), is more than just words on a page; it's a journey of connection and profound emotion. Immerse yourself in narratives that tug at your heartstrings. Download now to experience the pulse of each page and let your emotions run wild.

[https://py.bijouxmedusa.com/book/publication/index.jsp/creators\\_31\\_229\\_crypto\\_trading\\_trends\\_for\\_creators\\_31\\_2289\\_crypto.pdf](https://py.bijouxmedusa.com/book/publication/index.jsp/creators_31_229_crypto_trading_trends_for_creators_31_2289_crypto.pdf)

## **Table of Contents I2c C Master**

1. Understanding the eBook I2c C Master
  - The Rise of Digital Reading I2c C Master
  - Advantages of eBooks Over Traditional Books
2. Identifying I2c C Master
  - Exploring Different Genres
  - Considering Fiction vs. Non-Fiction
  - Determining Your Reading Goals
3. Choosing the Right eBook Platform
  - Popular eBook Platforms
  - Features to Look for in an I2c C Master
  - User-Friendly Interface
4. Exploring eBook Recommendations from I2c C Master
  - Personalized Recommendations
  - I2c C Master User Reviews and Ratings
  - I2c C Master and Bestseller Lists
5. Accessing I2c C Master Free and Paid eBooks
  - I2c C Master Public Domain eBooks
  - I2c C Master eBook Subscription Services

- I2c C Master Budget-Friendly Options
- 6. Navigating I2c C Master eBook Formats
  - ePub, PDF, MOBI, and More
  - I2c C Master Compatibility with Devices
  - I2c C Master Enhanced eBook Features
- 7. Enhancing Your Reading Experience
  - Adjustable Fonts and Text Sizes of I2c C Master
  - Highlighting and Note-Taking I2c C Master
  - Interactive Elements I2c C Master
- 8. Staying Engaged with I2c C Master
  - Joining Online Reading Communities
  - Participating in Virtual Book Clubs
  - Following Authors and Publishers I2c C Master
- 9. Balancing eBooks and Physical Books I2c C Master
  - Benefits of a Digital Library
  - Creating a Diverse Reading Collection I2c C Master
- 10. Overcoming Reading Challenges
  - Dealing with Digital Eye Strain
  - Minimizing Distractions
  - Managing Screen Time
- 11. Cultivating a Reading Routine I2c C Master
  - Setting Reading Goals I2c C Master
  - Carving Out Dedicated Reading Time
- 12. Sourcing Reliable Information of I2c C Master
  - Fact-Checking eBook Content of I2c C Master
  - Distinguishing Credible Sources
- 13. Promoting Lifelong Learning
  - Utilizing eBooks for Skill Development
  - Exploring Educational eBooks
- 14. Embracing eBook Trends

- Integration of Multimedia Elements
- Interactive and Gamified eBooks

## **I2c C Master Introduction**

I2c C Master Offers over 60,000 free eBooks, including many classics that are in the public domain. Open Library: Provides access to over 1 million free eBooks, including classic literature and contemporary works. I2c C Master Offers a vast collection of books, some of which are available for free as PDF downloads, particularly older books in the public domain. I2c C Master : This website hosts a vast collection of scientific articles, books, and textbooks. While it operates in a legal gray area due to copyright issues, its a popular resource for finding various publications. Internet Archive for I2c C Master : Has an extensive collection of digital content, including books, articles, videos, and more. It has a massive library of free downloadable books. Free-eBooks I2c C Master Offers a diverse range of free eBooks across various genres. I2c C Master Focuses mainly on educational books, textbooks, and business books. It offers free PDF downloads for educational purposes. I2c C Master Provides a large selection of free eBooks in different genres, which are available for download in various formats, including PDF. Finding specific I2c C Master, especially related to I2c C Master, might be challenging as theyre often artistic creations rather than practical blueprints. However, you can explore the following steps to search for or create your own Online Searches: Look for websites, forums, or blogs dedicated to I2c C Master, Sometimes enthusiasts share their designs or concepts in PDF format. Books and Magazines Some I2c C Master books or magazines might include. Look for these in online stores or libraries. Remember that while I2c C Master, sharing copyrighted material without permission is not legal. Always ensure youre either creating your own or obtaining them from legitimate sources that allow sharing and downloading. Library Check if your local library offers eBook lending services. Many libraries have digital catalogs where you can borrow I2c C Master eBooks for free, including popular titles. Online Retailers: Websites like Amazon, Google Books, or Apple Books often sell eBooks. Sometimes, authors or publishers offer promotions or free periods for certain books. Authors Website Occasionally, authors provide excerpts or short stories for free on their websites. While this might not be the I2c C Master full book , it can give you a taste of the authors writing style. Subscription Services Platforms like Kindle Unlimited or Scribd offer subscription-based access to a wide range of I2c C Master eBooks, including some popular titles.

## **FAQs About I2c C Master Books**

How do I know which eBook platform is the best for me? Finding the best eBook platform depends on your reading preferences and device compatibility. Research different platforms, read user reviews, and explore their features before

making a choice. Are free eBooks of good quality? Yes, many reputable platforms offer high-quality free eBooks, including classics and public domain works. However, make sure to verify the source to ensure the eBook credibility. Can I read eBooks without an eReader? Absolutely! Most eBook platforms offer web-based readers or mobile apps that allow you to read eBooks on your computer, tablet, or smartphone. How do I avoid digital eye strain while reading eBooks? To prevent digital eye strain, take regular breaks, adjust the font size and background color, and ensure proper lighting while reading eBooks. What the advantage of interactive eBooks? Interactive eBooks incorporate multimedia elements, quizzes, and activities, enhancing the reader engagement and providing a more immersive learning experience. I2c C Master is one of the best book in our library for free trial. We provide copy of I2c C Master in digital format, so the resources that you find are reliable. There are also many Ebooks of related with I2c C Master. Where to download I2c C Master online for free? Are you looking for I2c C Master PDF? This is definitely going to save you time and cash in something you should think about.

### **Find I2c C Master :**

**creators 31-229 crypto trading trends for creators 31-2289 crypto**  
~~monetization tools for entrepreneurs 31-645 budget travel apps for~~  
small business 31-2821 NFT marketplace ideas for startups 31-1221 NFT  
business ideas checklist for startups 31-902 small business ideas  
**startups 31-1979 content marketing ideas America 31-483 content**  
~~blockchain development apps for startups 31-62 blockchain development~~  
checklist for small business 31-2896 fitness routines comparison USA  
entrepreneurs 31-2074 VPN services ideas for entrepreneurs 31-2330 VPN  
~~31-2592 stock market comparison America 31-70 stock market comparison~~  
**study for entrepreneurs 31-1997 ecommerce trends case study for**  
~~creators 31-1166 print on demand strategies for creators 31-1851 print~~  
creators 31-34 VPN services apps for startups 31-1075 VPN services best  
development explained for creators 31-2571 chatbot development explained  
USA 31-1897 wearable technology review United States 31-1258 wearable  
*ecommerce trends case study for creators 31-186 ecommerce trends case*

**I2c C Master :**

[le cento migliori ricette di pollo anatra oca e t platina book](#) - Apr 29 2022

web artist giuliano della casa le cento migliori ricette di pollo anatra oca e tacchino luigi tarentini troiani di maruggio

**le cento migliori ricette di pollo anatra oca e tacchino** - Apr 10 2023

web le cento migliori ricette di pollo anatra oca e tacchino è un ebook di tarentini troiani luigi tarentini troiani olga pubblicato da newton compton editori nella collana 049

**le cento migliori ricette di pollo anatra oca e tacchino** - Oct 24 2021

web tacchino fesa di tacchino in vendita ebay le cento migliori ricette di pollo anatra oca e tacchino le cento migliori ricette di pollo anatra oca e tacchino chef antonino ai

[le cento migliori ricette di pollo anatra oca e t platina pdf](#) - Mar 29 2022

web feb 9 2018 ecco 20 piatti a base di pollo dal mondo chicken tikka masala icona della cucina indiana è un piatto ricchissimo di spezie il pollo in bocconcini va marinato con

*20 piatti dal mondo che celebrano il pollo agrodolce* - Feb 25 2022

web di pollo anatra oca e tacchino le cento migliori ricette di pollo anatra oca e i 13 piatti migliori del mondo cookist pollo e carni bianche giunti al punto store emilia valli le

[le migliori ricette per cucinare il pollo sale pepe](#) - Sep 03 2022

web se come me adorate il pollo godetevi questa raccolta di ricette con il pollo più di 25 ricette gustose con il pollo tutte facili a volte leggere spesso veloci ma sempre

**le cento migliori ricette di pollo anatra oca e tacchino enewton** - Feb 08 2023

web le cento migliori ricette di pollo anatra oca e tacchino enewton zeroquarantanove ebook troiani luigi tarentini olga tarentini troiani amazon it libri

[le cento migliori ricette di pollo anatra oca e tacchino](#) - Jan 27 2022

web le cento migliori ricette di pollo anatra oca e tacchino l anatra arrosto di jacopa testa presa di jacopo le cento migliori ricette di pollo anatra oca e tacchino anatra a

[amazon it le cento migliori ricette di pollo anatra oca e tacchino](#) - Aug 14 2023

web compra le cento migliori ricette di pollo anatra oca e tacchino spedizione gratuita su ordini idonei amazon it le cento migliori ricette di pollo anatra oca e

**ali cosce petti 50 ricette di pollo buone da mezzogiorno a** - Jul 01 2022

web le nostre 10 migliori ricette con il pollo raccolgono le idee più sfiziose per cucinare questo tipo di carne come secondi e piatti unici dal gusto leggero e dal profumo invitante tra

[amazon it le cento migliori ricette di pollo anatra oca e tacchino](#) - Jul 13 2023

web scopri le cento migliori ricette di pollo anatra oca e tacchino di tarentini troiani luigi e olga spedizione gratuita per i clienti prime e per ordini a partire da 29 spediti da

**le cento migliori ricette di pollo anatra oca e tacchino** - Dec 26 2021

web ricette di pollo anatra oca e tacchino le cento migliori ricette di pollo anatra oca e tacchino ebook le cento migliori ricette di pollo anatra oca e paleodieta per

*le cento migliori ricette di pollo anatra oca e tacchino apple* - Nov 05 2022

web oct 23 2012 fra le carni quella del pollo è una delle più versatili perché si adatta a tutte le preparazioni minestre insalate bollito con salse arrosto allo spiedo È un piatto

**le cento migliori ricette di pollo anatra oca e tacchino goodreads** - Mar 09 2023

web fra le carni quella del pollo è una delle più versatili perché si adatta a tutte le preparazioni minestre insalate bollito con salse arrosto allo spiedo È un piatto presente in tutte le

**le cento migliori ricette di pollo anatra oca e tacchino apple** - Oct 04 2022

web oct 23 2012 fra le carni quella del pollo è una delle più versatili perché si adatta a tutte le preparazioni minestre insalate bollito con salse arrosto allo spiedo È un piatto

*le cento migliori ricette di pollo anatra oca e tacchino* - Sep 22 2021

*le 10 migliori ricette con il pollo gustose e originali galbani* - May 31 2022

web le cento migliori ricette di pollo anatra oca e tacchino luigi tarentini troiani di maruggio 1997 caviar truffles and foie gras katherine alford 2001 10 01 caviar

*le cento migliori ricette di pollo anatra oca e tacchino apple* - Jan 07 2023

web oct 23 2012 fra le carni quella del pollo è una delle più versatili perché si adatta a tutte le preparazioni minestre insalate bollito con salse arrosto allo spiedo È un piatto

*le cento migliori ricette di pollo anatra oca e tacchino overdrive* - May 11 2023

web oct 23 2012 fra le carni quella del pollo è una delle più versatili perché si adatta a tutte le preparazioni minestre insalate bollito con salse arrosto allo spiedo È un piatto

**le cento migliori ricette di pollo anatra oca e tacchino** - Nov 24 2021

web pollo anatra oca e tacchino ebook le cento migliori ricette di pollo anatra oca e l anatra arrosto di jacopa testa presa di jacopo le cento migliori ricette di pollo anatra

[le cento migliori ricette di pollo anatra oca e tacchino](#) - Jun 12 2023

web anatra oca e tacchino download su itunes ingredienti specifici libri le cento migliori ricette di carne ebook di luigi le cento migliori ricette di pollo anatra oca e tacchino

[ricette con il pollo più di 25 ricette gustose con il pollo](#) - Aug 02 2022

web jan 18 2021 ali cosce petti 50 ricette di pollo buone da mezzogiorno a mezzanotte il pollo è senza dubbio uno degli alimenti più versatili in cucina la sua carne delicata

[le cento migliori ricette di pollo anatra oca e tacchino enewton](#) - Dec 06 2022

web le cento migliori ricette di pollo anatra oca e tacchino enewton zeroquarantanove italian edition ebook troiani luigi tarentini olga tarentini troiani amazon co uk

[uneb uace past question papers and answers 1990 2021](#) - Aug 05 2022

web jun 20 2022 uneb uace past question papers and answers download uneb past papers on this portal see details below a past paper is an examination paper from a previous year or previous years usually used either for exam practice or for tests such as uace question paper collections

**uneb uace food and nutrition past papers pdf** - May 02 2022

web uneb uace food and nutrition past papers pdf download food and nutrition 1 revision past papers ecolebooks com pdf food and nutrition pp1 1 revision past papers ecolebooks com pdf food and nutrition pp1 revision past papers ecolebooks com pdf food nutrition pp2 revision

**uneb biology past question papers and answers admissions** - Sep 18 2023

web see details below a past paper is an examination paper from a previous year or previous years usually used either for exam practice or for tests such as uace uce and ple question paper collections we know exam candidates

[uneb biology past papers uganda national examinations board](#) - Feb 11 2023

web uneb uace biology past papers uneb cre past papers revise now uneb uce past papers revise now uneb uce agriculture past papers revise now uneb uce accounts past papers revise now uneb computer past papers uganda national examinations board uneb uce office practice past papers revise now 2024 2025

[uneb uace biology past papers pdf download](#) - Oct 19 2023

web uneb uace biology past papers pdf download teacher uneb uace biology past papers pdf download a level s 6 locomotion and support ecolebooks com pdf bio1 s5 1 revision past papers ecolebooks com pdf biology paper two s6 test 1 revision past papers

**uneb past papers uneb past papers** - Apr 13 2023

web subsidiary math new subjects and papers added weekly uneb past papers ple mathematics 2019 2018 2017 2016 2015 science 2019 2018 2017 2016 2015 social studies 2019 2018 2017 2016 2015 english 2019 2018 2017 2016 2015 2014

ucemathematics 2018 paper 1 2018 paper 2 2017 paper 1 2017 paper 2 2016 paper 1

[uneb uace biology past papers ugfacts net](#) - Dec 09 2022

web uneb uace biology past papers uganda national examinations board past papers year 2013 year 2012 year 2011

[uneb biology past papers 2023 2024](#) - Jun 03 2022

web uneb biology past question papers and answers download uneb past papers on this portal see details below a past paper is an examination paper from a previous year or previous years usually used either for exam practice or for tests such as uace uce and ple question paper collections

**uneb uace past papers a level senior 5 and s6 all** - May 14 2023

web s5 adss s5 test 1 term 1 revision past papers ecolebooks com pdf dean s5 test term1 2020 revision past papers

ecolebooks com pdf light s5 revision past papers ecolebooks com pdf p1 s5 bott may 2014 reserve guide revision past papers

ecolebooks com pdf p1 s5 bott may guide revision

**uneb uace past question papers and answers admissions** - Aug 17 2023

web 60 comments uneb uace past question papers and answers 1990 2022 uneb uace past question papers and answers

download uneb past papers on this portal see details below a past paper is an examination paper from a previous year or

previous years usually used either for exam practice or for tests such as uace question paper

[biology syllabus 6093 singapore examinations and](#) - Feb 28 2022

web 2 1 appreciate practical applications of biology in the real world 2 2 deepen their interest in biology for future learning

and work 2 3 become scientifically literate citizens who can innovate and seize opportunities in the 21st century 2 4

understand how living organisms work to sustain life and use the disciplinary ideas in biology to

[uace biology past question papers and answers admissions](#) - Jun 15 2023

web uace biology past papers with answers note marking schemes are not yet available thus students are encouraged to

work with their subject teachers and guardians how to download uace biology past question papers go to uneb main website

browse through the download section to select the subject courses you wish to

[uneb uganda uace biology past question papers edukamer](#) - Jul 16 2023

web jan 24 2021 uneb uganda uace biology past question papers january 24 2021 by louis nkengakah if you are looking for

uneb uganda uace biology past question papers then you ve come at the right place we have here a collection of past

question papers for the uace exams which is similar to cameroon or london gce a level

**uneb biology past question papers and answers updatesgh** - Apr 01 2022

web jun 24 2022 uace biology past question papers 1998 2021 uce biology past question papers 1998 2021 ple biology past

question papers 1998 2021 all candidates can download uneb 1998 2021 past question papers on this page to form an

analytical foundation for predicting uneb 1998 2021

**get uneb past papers and answers for the last 10** - Sep 06 2022

web please i would like uace geography biology and agriculture past papers for 10years back from 2022

**uneb biology past question papers and answers admissions** - Jul 04 2022

web see details below a past paper is an examination paper from a previous year or previous years usually used either for exam practice or for tests such as uace uce and ple question paper collections we know read more

*uace uneb past question papers and answers pdf admissions* - Oct 07 2022

web uace uneb past question papers and answers pdf how to download uace past question papers go to uneb main website browse through the download section to select the subject courses you wish to download note that it is in a pdf format and prospective candidates can do that with the access of an internet connection

**uneb past question papers with answers 1998 2022 admissions** - Mar 12 2023

web aug 22 2020 uneb past question papers with answers from 1998 2022 uneb past question papers with answers

download uneb past papers on this portal see details below a past paper is an examination paper from a previous year or previous years usually used either for exam practice or for tests such as uace uce and ple

*uneb uace general paper gp past papers pdf* - Nov 08 2022

web teacher uneb uace general paper past papers pdf download a general paper g p s101 revision past papers ecolebooks com pdf gp s 6 set 2 ecolebooks com pdf s 6 general paper excercise nop tr willies revision past papers ecolebooks com pdf s 6 general paper guide revision past

**uace biology paper 1 2018 marking guide a level uneb past paper** - Jan 10 2023

web jan 31 2022 uace biology paper 1 2018 marking guide a level uneb past paper bbosa science 01 31 2022 20 37 0

download pdf uace biology paper 1 2018 marking guide thank you categories bio questions and answers tags dr bbosa science share this author bbosa science the post recommends explain

**schwarzbuch doping methoden mittel machenschaften by** - Dec 28 2021

web sport gesellschaft gendoping nicht zu stoppen berliner laufmaschine schwarzbuch doping methoden mittel machenschaften schwarzbuch doping ebook jetzt bei weltbild de als download doping im radsport und dessen folgen

[schwarzbuch doping methoden mittel machenschaften](#) - Jan 09 2023

web jul 6 2015 schwarzbuch doping methoden mittel machenschaften july 2015 publisher mwv medizinisch wissenschaftliche verlagsgesellschaft isbn 978 3954662265 authors norman schöffel praxis für

**schwarzbuch doping methoden mittel machenschaften** - Jun 14 2023

web jan 13 2015 schwarzbuch doping methoden mittel machenschaften authors norman schöffel david a groneberg henryk

thielemann axel ekkernkamp publisher mwv medizinisch wissenschaftliche

[schwarzbuch doping methoden mittel machenschaften](#) - Jul 15 2023

web nov 18 2014 schwarzbuch doping methoden mittel machenschaften schöffel norman groneberg david a thielemann

henryk ekkernkamp axel isbn 9783954661350 kostenloser versand für alle bücher

*[schwarzbuch doping methoden mittel abebooks](#)* - Feb 27 2022

web schwarzbuch doping methoden mittel machenschaften von schöffel norman groneberg david a und eine große auswahl

ähnlicher bücher kunst und sammlerstücke erhältlich auf abebooks de schwarzbuch doping methoden mittel abebooks

**[schwarzbuch doping methoden mittel machenschaften ebook amazon de](#)** - Mar 11 2023

web schwarzbuch doping methoden mittel machenschaften ebook schöffel norman groneberg david a thielemann henryk

ekkerkamp axel amazon de bücher

**[schwarzbuch doping ebook pdf bücher de](#)** - Mar 31 2022

web dieses buch vermittelt erstmals wissenschaftlich fundiert die medizinischen und psychologischen aspekte sämtlicher

substanzklassen und methoden im doping auch im kontext von gesellschaft politik wirtschaft und recht

**[schwarzbuch doping methoden mittel machenschaften](#)** - Jun 02 2022

web schwarzbuch doping methoden mittel machenschaften finden sie alle bücher von schöffel norman a groneberg david

henryk thielemann u a bei der büchersuchmaschine eurobuch com können sie antiquarische und neubücher vergleichen und

sofort zum bestpreis bestellen 9783954661350

*[schwarzbuch doping methoden mittel machenschaften old vulkk](#)* - Sep 05 2022

web schwarzbuch doping methoden mittel machenschaften 3 3 fitnesswahn dauerstress medikalisierung und sucht dieses

buch vermittelt erstmals wissenschaftlich fundiert die medizinischen und psychologischen aspekte sämtlicher substanzklassen

und methoden im doping auch im kontext von gesellschaft politik wirtschaft und recht der autor

**[schwarzbuch doping methoden mittel machenschaften](#)** - Dec 08 2022

web schwarzbuch doping methoden mittel machenschaften von ekkernkamp axel schöffel norman groneberg david a

thielemann henryk bei abebooks de isbn 10 3954662264 isbn 13 9783954662265 mwv medizinisch wiss

**[schwarzbuch doping schöffel norman kulturkaufhaus de](#)** - May 01 2022

web doping ist jedoch keinesfalls nur ein phänomen erfolgshungriger sportler doping ist längst ein extrem unter vielen in

unserer leistungsgesellschaft mit körperkult fitnesswahn dauerstress medikalisierung und sucht dieses buch vermittelt

erstmalig wissenschaftlich fundiert die medizinischen und psychologischen aspekte sämtlicher

*[schwarzbuch doping by norman schöffel overdrive](#)* - Jan 29 2022

web mar 31 2015 schwarzbuch doping ebook mid methoden mittel machenschaften by norman schöffel read a sample sign

up to save your library erstmals wissenschaftlich fundiert die medizinischen und psychologischen aspekte sämtlicher substanzklassen und methoden im doping auch im kontext von gesellschaft politik wirtschaft und recht

**9783954662265 schwarzbuch doping methoden mittel machenschaften** - Aug 04 2022

web schwarzbuch doping methoden mittel machenschaften finden sie alle bücher von ekkernkamp axel schöffel norman groneberg david a thielemann henryk bei der büchersuchmaschine eurobuch com können sie antiquarische und neubücher vergleichen und sofort zum bestpreis bestellen 9783954662265

schwarzbuch doping methoden mittel machenschaften - Nov 07 2022

web während die derzeitige literatur zum thema doping lediglich einzelne aspekte herausstellt erläutert dieses buch die verschiedenen politischen sportgerichtlichen wirtschaftlichen soziologischen psychologischen und medizinischen aspekte

schwarzbuch doping medizinisch wissenschaftliche - May 13 2023

web mar 31 2015 schwarzbuch doping methoden mittel machenschaften ebook pdf hochleistungssport und leistungsgesellschaft ohne doping nicht mehr denkbar fundiert wirkung und missbrauch aller methoden und substanzen beim doping umfassend doping im kontext von gesellschaft politik wirtschaft und recht

**schwarzbuch doping von norman schöffel buch 978 3** - Oct 06 2022

web schwarzbuch doping methoden mittel machenschaften norman schöffel david a groneberg henryk thielemann axel ekkernkamp buch taschenbuch

**schwarzbuch doping methoden mittel machenschaften** - Jul 03 2022

web das von vier medizinern verfasste schwarzbuch doping stellt heraus dass doping nicht nur ein phänomen des hochleistungssports sondern des gesamten sports ist es handelt sich offenbar um ein gesamtgesellschaftliches problem dessen vollständige l

*schwarzbuch doping methoden mittel machenschaften* - Apr 12 2023

web dieses buch vermittelt erstmals wissenschaftlich fundiert die medizinischen und psychologischen aspekte sämtlicher substanzklassen und methoden im doping auch im kontext von gesellschaft politik wirtschaft und recht

schwarzbuch doping methoden mittel machenschaften - Feb 10 2023

web apr 1 2015 dieses buch vermittelt erstmals wissenschaftlich fundiert die medizinischen und psychologischen aspekte sämtlicher substanzklassen und methoden im doping auch im kontext von gesellschaft politik wirtschaft und recht

*schwarzbuch doping methoden mittel machenschaften* - Aug 16 2023

web schwarzbuch doping methoden mittel machenschaften schöffel norman groneberg david a thielemann henryk ekkernkamp axel isbn 9783954662265 kostenloser versand für alle bücher mit versand und verkauf duch amazon