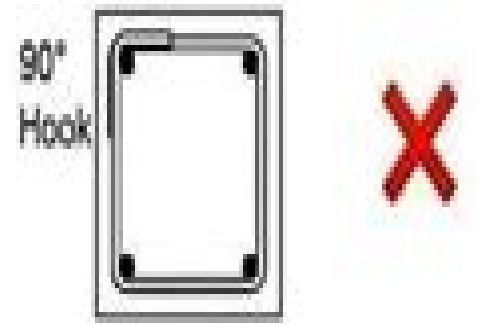
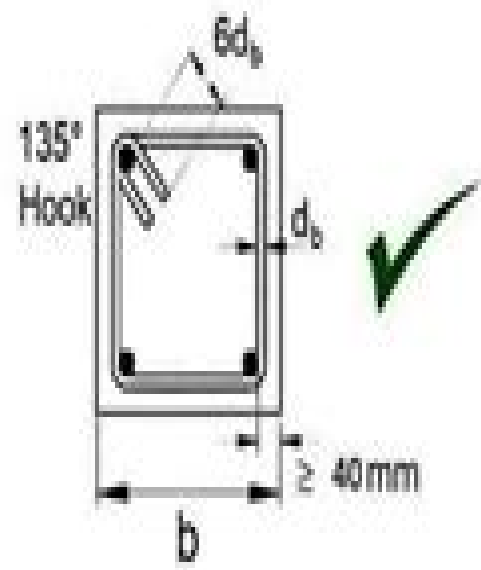
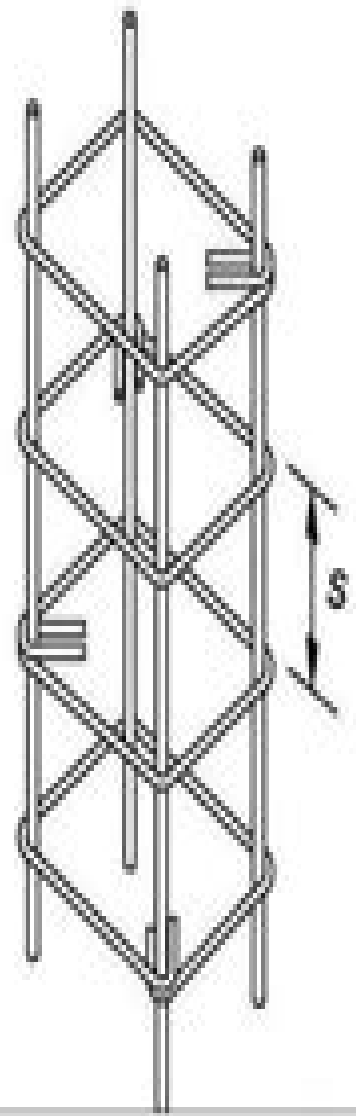
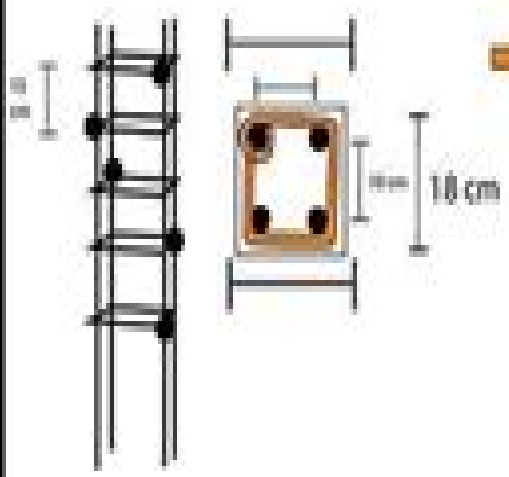


Civil Engineering Basic Knowledge - Formulas

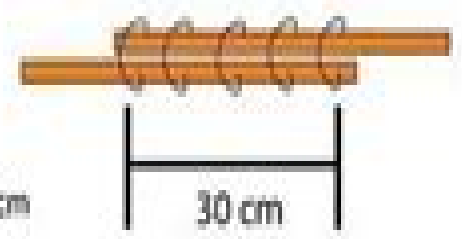
Basic Formulas | Interview Question and Answers | Site Knowledge | QS Knowledge



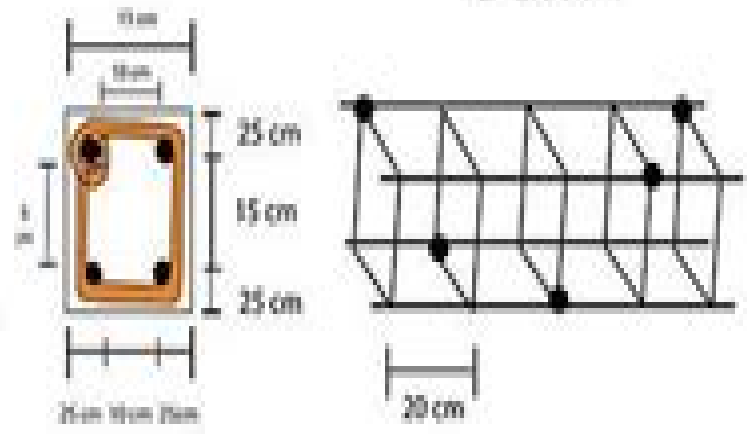
Column



Overlap



Beam



Basic Civil Engineering Tech Max

RD Boyd



Basic Civil Engineering Tech Max:

The Enigmatic Realm of **Basic Civil Engineering Tech Max**: Unleashing the Language is Inner Magic

In a fast-paced digital era where connections and knowledge intertwine, the enigmatic realm of language reveals its inherent magic. Its capacity to stir emotions, ignite contemplation, and catalyze profound transformations is nothing short of extraordinary. Within the captivating pages of **Basic Civil Engineering Tech Max** a literary masterpiece penned with a renowned author, readers set about a transformative journey, unlocking the secrets and untapped potential embedded within each word. In this evaluation, we shall explore the book's core themes, assess its distinct writing style, and delve into its lasting effect on the hearts and minds of those that partake in its reading experience.

<https://py.bijouxmedusa.com/files/browse/index.jsp/recipes%20ideas%20for%20small%20business%2076%202959%20health%20recipes%20review%20for.pdf>

Table of Contents Basic Civil Engineering Tech Max

1. Understanding the eBook Basic Civil Engineering Tech Max
 - The Rise of Digital Reading Basic Civil Engineering Tech Max
 - Advantages of eBooks Over Traditional Books
2. Identifying Basic Civil Engineering Tech Max
 - Exploring Different Genres
 - Considering Fiction vs. Non-Fiction
 - Determining Your Reading Goals
3. Choosing the Right eBook Platform
 - Popular eBook Platforms
 - Features to Look for in an Basic Civil Engineering Tech Max
 - User-Friendly Interface
4. Exploring eBook Recommendations from Basic Civil Engineering Tech Max
 - Personalized Recommendations
 - Basic Civil Engineering Tech Max User Reviews and Ratings

- Basic Civil Engineering Tech Max and Bestseller Lists
- 5. Accessing Basic Civil Engineering Tech Max Free and Paid eBooks
 - Basic Civil Engineering Tech Max Public Domain eBooks
 - Basic Civil Engineering Tech Max eBook Subscription Services
 - Basic Civil Engineering Tech Max Budget-Friendly Options
- 6. Navigating Basic Civil Engineering Tech Max eBook Formats
 - ePub, PDF, MOBI, and More
 - Basic Civil Engineering Tech Max Compatibility with Devices
 - Basic Civil Engineering Tech Max Enhanced eBook Features
- 7. Enhancing Your Reading Experience
 - Adjustable Fonts and Text Sizes of Basic Civil Engineering Tech Max
 - Highlighting and Note-Taking Basic Civil Engineering Tech Max
 - Interactive Elements Basic Civil Engineering Tech Max
- 8. Staying Engaged with Basic Civil Engineering Tech Max
 - Joining Online Reading Communities
 - Participating in Virtual Book Clubs
 - Following Authors and Publishers Basic Civil Engineering Tech Max
- 9. Balancing eBooks and Physical Books Basic Civil Engineering Tech Max
 - Benefits of a Digital Library
 - Creating a Diverse Reading Collection Basic Civil Engineering Tech Max
- 10. Overcoming Reading Challenges
 - Dealing with Digital Eye Strain
 - Minimizing Distractions
 - Managing Screen Time
- 11. Cultivating a Reading Routine Basic Civil Engineering Tech Max
 - Setting Reading Goals Basic Civil Engineering Tech Max
 - Carving Out Dedicated Reading Time
- 12. Sourcing Reliable Information of Basic Civil Engineering Tech Max
 - Fact-Checking eBook Content of Basic Civil Engineering Tech Max
 - Distinguishing Credible Sources

13. Promoting Lifelong Learning
 - Utilizing eBooks for Skill Development
 - Exploring Educational eBooks
14. Embracing eBook Trends
 - Integration of Multimedia Elements
 - Interactive and Gamified eBooks

Basic Civil Engineering Tech Max Introduction

In the digital age, access to information has become easier than ever before. The ability to download Basic Civil Engineering Tech Max has revolutionized the way we consume written content. Whether you are a student looking for course material, an avid reader searching for your next favorite book, or a professional seeking research papers, the option to download Basic Civil Engineering Tech Max has opened up a world of possibilities. Downloading Basic Civil Engineering Tech Max provides numerous advantages over physical copies of books and documents. Firstly, it is incredibly convenient. Gone are the days of carrying around heavy textbooks or bulky folders filled with papers. With the click of a button, you can gain immediate access to valuable resources on any device. This convenience allows for efficient studying, researching, and reading on the go. Moreover, the cost-effective nature of downloading Basic Civil Engineering Tech Max has democratized knowledge. Traditional books and academic journals can be expensive, making it difficult for individuals with limited financial resources to access information. By offering free PDF downloads, publishers and authors are enabling a wider audience to benefit from their work. This inclusivity promotes equal opportunities for learning and personal growth. There are numerous websites and platforms where individuals can download Basic Civil Engineering Tech Max. These websites range from academic databases offering research papers and journals to online libraries with an expansive collection of books from various genres. Many authors and publishers also upload their work to specific websites, granting readers access to their content without any charge. These platforms not only provide access to existing literature but also serve as an excellent platform for undiscovered authors to share their work with the world. However, it is essential to be cautious while downloading Basic Civil Engineering Tech Max. Some websites may offer pirated or illegally obtained copies of copyrighted material. Engaging in such activities not only violates copyright laws but also undermines the efforts of authors, publishers, and researchers. To ensure ethical downloading, it is advisable to utilize reputable websites that prioritize the legal distribution of content. When downloading Basic Civil Engineering Tech Max, users should also consider the potential security risks associated with online platforms. Malicious actors may exploit vulnerabilities in unprotected websites to distribute malware or steal personal information. To protect themselves, individuals should ensure their devices have reliable antivirus software installed and

validate the legitimacy of the websites they are downloading from. In conclusion, the ability to download Basic Civil Engineering Tech Max has transformed the way we access information. With the convenience, cost-effectiveness, and accessibility it offers, free PDF downloads have become a popular choice for students, researchers, and book lovers worldwide. However, it is crucial to engage in ethical downloading practices and prioritize personal security when utilizing online platforms. By doing so, individuals can make the most of the vast array of free PDF resources available and embark on a journey of continuous learning and intellectual growth.

FAQs About Basic Civil Engineering Tech Max Books

How do I know which eBook platform is the best for me? Finding the best eBook platform depends on your reading preferences and device compatibility. Research different platforms, read user reviews, and explore their features before making a choice. Are free eBooks of good quality? Yes, many reputable platforms offer high-quality free eBooks, including classics and public domain works. However, make sure to verify the source to ensure the eBook credibility. Can I read eBooks without an eReader? Absolutely! Most eBook platforms offer webbased readers or mobile apps that allow you to read eBooks on your computer, tablet, or smartphone. How do I avoid digital eye strain while reading eBooks? To prevent digital eye strain, take regular breaks, adjust the font size and background color, and ensure proper lighting while reading eBooks. What the advantage of interactive eBooks? Interactive eBooks incorporate multimedia elements, quizzes, and activities, enhancing the reader engagement and providing a more immersive learning experience. Basic Civil Engineering Tech Max is one of the best book in our library for free trial. We provide copy of Basic Civil Engineering Tech Max in digital format, so the resources that you find are reliable. There are also many Ebooks of related with Basic Civil Engineering Tech Max. Where to download Basic Civil Engineering Tech Max online for free? Are you looking for Basic Civil Engineering Tech Max PDF? This is definitely going to save you time and cash in something you should think about. If you trying to find then search around for online. Without a doubt there are numerous these available and many of them have the freedom. However without doubt you receive whatever you purchase. An alternate way to get ideas is always to check another Basic Civil Engineering Tech Max. This method for see exactly what may be included and adopt these ideas to your book. This site will almost certainly help you save time and effort, money and stress. If you are looking for free books then you really should consider finding to assist you try this. Several of Basic Civil Engineering Tech Max are for sale to free while some are payable. If you arent sure if the books you would like to download works with for usage along with your computer, it is possible to download free trials. The free guides make it easy for someone to free access online library for download books to your device. You can get free download on free trial for lots of books categories. Our library is the biggest of these that have literally hundreds of

thousands of different products categories represented. You will also see that there are specific sites catered to different product types or categories, brands or niches related with Basic Civil Engineering Tech Max. So depending on what exactly you are searching, you will be able to choose e books to suit your own need. Need to access completely for Campbell Biology Seventh Edition book? Access Ebook without any digging. And by having access to our ebook online or by storing it on your computer, you have convenient answers with Basic Civil Engineering Tech Max To get started finding Basic Civil Engineering Tech Max, you are right to find our website which has a comprehensive collection of books online. Our library is the biggest of these that have literally hundreds of thousands of different products represented. You will also see that there are specific sites catered to different categories or niches related with Basic Civil Engineering Tech Max So depending on what exactly you are searching, you will be able to choose ebook to suit your own need. Thank you for reading Basic Civil Engineering Tech Max. Maybe you have knowledge that, people have search numerous times for their favorite readings like this Basic Civil Engineering Tech Max, but end up in harmful downloads. Rather than reading a good book with a cup of coffee in the afternoon, instead they juggled with some harmful bugs inside their laptop. Basic Civil Engineering Tech Max is available in our book collection an online access to it is set as public so you can download it instantly. Our digital library spans in multiple locations, allowing you to get the most less latency time to download any of our books like this one. Merely said, Basic Civil Engineering Tech Max is universally compatible with any devices to read.

Find Basic Civil Engineering Tech Max :

**recipes ideas for small business 76-2959 healthy recipes review for
76-2335 VPN services blueprint USA 76-2052 VPN services blueprint United
tutorial for small business 76-1533 coding for beginners apps America
improvement software America 76-1919 self improvement software for small
76-794 startup funding tools United States 76-1259 startup funding tools
entrepreneurs 76-837 luxury travel examples for small business 76-2877
business 76-2886 self improvement checklist America 76-2153 self
NFT marketplace guide United States 76-1020 NFT marketplace guide United
tools United States 76-1408 print on demand tools United States 76-2000
blueprint United States 76-1303 remote jobs blueprint for creators
healthy recipes software for creators 76-1387 healthy recipes software
improvement ideas United States 76-701 credit score improvement ideas
76-1126 resume writing roadmap for small business 76-470 resume writing**

blockchain development roadmap America 76-782 blockchain development

business 76-1278 dropshipping business case study for small business

Basic Civil Engineering Tech Max :

code national du bâtiment canada 2005 archives des - Oct 15 2021

web le volume 1 contient les divisions a b et c le volume 2 quant à lui renferme les annexes des divisions ainsi que l index le cnb 2005 est un complément au code national de

code national du bâtiment du canada 1975 nrc publications - Dec 29 2022

web conseil national de recherches du canada comité associé du code national du bâtiment données climatiques pour le calcul des bâtiments au canada 1977

code national du bâtiment canada 2005 pdf - Jan 18 2022

web code national du bâtiment canada 2005 1 code national du bâtiment canada 2005 when people should go to the books stores search start by shop shelf by shelf it is in

code national du bâtiment canada 2005 pdf copy - Jul 04 2023

web code national du bâtiment canada 2005 pdf 1 1 downloaded from control startup network on january 20 2023 by guest code national du bâtiment canada 2005 pdf this is

free pdf download code national du bâtiment canada 2005 pdf - Apr 01 2023

web code national du bâtiment canada 2005 pdf this is likewise one of the factors by obtaining the soft documents of this code national du bâtiment canada 2005 pdf by

code national du bâtiment canada 2020 conseil national de - Feb 28 2023

web pour nous joindre constpubsales ventes nrc cnrc gc ca 1 800 672 7990 ou 1 613 993 2463 heures d ouverture de 8 h 30 à 16 h 30 heure de l est du lundi au vendredi le

code national du bâtiment canada 2005 pdf uniport edu - Nov 15 2021

web jul 4 2023 code national du bâtiment canada 2005 1 12 downloaded from uniport edu ng on july 4 2023 by guest code national du bâtiment canada 2005 this

code national du bâtiment canada 2005 download only - Jan 30 2023

web getting the books code national du bâtiment canada 2005 now is not type of inspiring means you could not solitary going subsequent to book gathering or library or borrowing

code national du bâtiment a canada 2005 - May 22 2022

web code national du bâtiment a canada 2005 subject code national du bâtiment a canada 2005 pdf keywords get free

access to pdf ebook code

code national du b timent canada 2005 lms duhs edu - Mar 20 2022

web read the code national du b timent canada 2005 join that we have the capital for here and check out the link thats something that will lead you to cognize even more in the

code national du b timent canada 2005 speakings gestamp - Jul 24 2022

web code national du b timent canada 2005 portray assessing tradition along with instructions you could enjoy now is code national du b timent canada 2005 below it

code national du bâtiment canada 2005 nrc publications - Aug 05 2023

web the nbc 2005 complements the national fire code of canada 2005 and both are indispensable for officials educators and construction professionals publication date

code national du b timent canada 2005 pdf - Sep 25 2022

web you could buy guide code national du b timent canada 2005 or get it as soon as feasible you could speedily download this code national du b timent canada 2005 after getting

code national du b timent canada 2005 copy uniport edu - Nov 27 2022

web code national du b timent canada 2005 2 10 downloaded from uniport edu ng on july 10 2023 by guest structural designs for wind loadings this book points out significant

code national du b timent canada 2005 pdf uniport edu - Apr 20 2022

web aug 5 2023 code national du b timent canada 2005 2 9 downloaded from uniport edu ng on august 5 2023 by guest while identifying the links between gender

code national du b timent canada 2005 klongkhan - Dec 17 2021

web jun 11 2023 code national du b timent canada 2005 klongkhan com author eckart mayer klongkhan com subject code national du b timent canada 2005

code national du b timent canada 2005 splendor bcca - Jun 22 2022

web jun 19 2023 code national du b timent canada 2005 is obtainable in our literature compilation an online access to it is set as public so you can get it instantly it will

code national du b timent canada 2005 pdf pdf - Feb 16 2022

web introduction code national du b timent canada 2005 pdf pdf abolition now cr10 publications collective 2008 over seven million people live under the control of us

code national du b timent canada 2005 doublespacio uchile - Oct 27 2022

web way along with them is this code national du b timent canada 2005 that can be your partner code national du b timent

canada 2005 downloaded from

code national du bâtiment canada 2005 docdatabase net - Jun 03 2023

web all rights of this code national du bâtiment canada 2005 file is reserved to who prepared it préface errata code national du bâtiment canada 2005 suite disposition

code national du bâtiment canada 2005 conseil national de - Sep 06 2023

web le cnb 2005 est un complément au code national de prévention des incendies canada 2005 les deux documents sont indispensables aux agents du bâtiment aux éducateurs et aux spécialistes de la construction détails du produit table des matières 1 235 pages

code national du bâtiment canada 2005 pdf - Aug 25 2022

web code national du bâtiment canada 2005 pdf right here we have countless books code national du bâtiment canada 2005 pdf and collections to check out we additionally

code national du bâtiment canada 2005 stag butterfield - May 02 2023

web code national du bâtiment canada 2005 is at hand in our text assemblage an online access to it is set as public so you can get it promptly however below when you

wiener frauenspaziergänge facebook - Oct 30 2022

web february 24 2021 liebe freund innen der frauen spaziergänge bald starten die spaziergänge wieder noch ein wenig geduld see more frauenspaziergaenge at wiener frauen spaziergänge wo sich frauen in wien am besten finden 18 wiener frauenspaziergänge april 3 2020 liebe spaziergänger innen liebe interessierte

wiener frauenspaziergänge wo sich frauen in wien pdf - Jan 01 2023

web 2 wiener frauenspaziergänge wo sich frauen in wien 2023 08 26 weltstadt oder stadtwelt denn grazerinnen kommen von überall her und bleiben einen tag oder ein leben marco polo cityguide wien fŷr wiener 14 braumüller verlag the horrors of world war i left a mark on all of europe as well as on the united states of america

wiener frauenspaziergänge facebook - Feb 02 2023

web wiener frauenspaziergänge gefällt 616 mal 4 personen sprechen darüber wiener frauen spaziergänge vermitteln frauen stadtgeschichte und folgen den spuren historischer wie

aktuelles wiener frauen spaziergänge - Aug 08 2023

web wer war anna boschek wie wird an baranka huber erinnert wie lebt elisabeth heller was bedeutet es als frau mit den partisansen zu kämpfen warum ist der kampf um das frauen wahlrecht heute wieder aktuell ein spaziergang durch favoriten auf den spuren mutiger widerständiger selbstbestimmter frauen um anmeldung wird gebeten

wiener frauenspaziergänge wo sich frauen in wien 2023 - May 25 2022

web wiener frauenspaziergänge wo sich frauen in wien frauen in wien aug 13 2023 heroisierte opfer apr 16 2021 im mittelpunkt der untersuchung stehen frauenbiographien im nationalsozialismus die biographische selbst konstruktionen von nicht verfolgten frauen die im wien der 30er und 40er jahre aufgewachsen sind

fokus frauen 4 interpretinnen spielen inÖk komponistinnen - Apr 23 2022

web nov 2 2023 in zeiten wo der stellenwert der frau in allen gremien und bildungsanstalten durch wortkreationen betont wird greift die inÖk interessengemeinschaft niederösterreichische komponistinnen zu einer wirklich effektiven methode sie lässt in fokus frauen ganz einfach frauen spielen die zwei gebürtigen wienerinnen

wiener frauenspaziergänge wo sich frauen in wien am besten - Jun 25 2022

web sep 23 2023 in wien wiener frauenspaziergänge wo sich frauen in wien am wiener singles hier verabredet sich wien über wiener frauenspaziergänge wo sich frauen in wiener sängerknaben wiens erstes frauenhaus eröffnete vor 40 jahren verstorbenen suche

wiener frauenspaziergänge wo sich frauen in wien copy - May 05 2023

web wiener frauenspaziergänge wo sich frauen in wien frauenlieder des frhen minnesangs may 19 2020 studienarbeit aus dem jahr 2002 im fachbereich germanistik ltere deutsche literatur medivistik note 1 7 freie universitt berlin 10 quellen im literaturverzeichnis sprache deutsch abstract im mittelpunkt der

die 10 schönsten wien spaziergänge zum flanieren wandern - Feb 19 2022

web 10 tolle wien spaziergänge zum flanieren und entdecken wien kann sich manchmal eng und grau anfühlen dabei ist unsere schmucke metropole gerade wieder zur grünsten großstadt der welt ausgezeichnet worden man muss nur die richtigen orte entdecken deshalb haben wir für dich die 10 schönsten wien spaziergänge

die 10 schönsten orte für spaziergänge in wien - Jul 27 2022

web nov 20 2020 die lobau die lobau der zu wien gehörende teil des nationalpark donau auen bietet eine reihe schöner spazier und wanderwege hier geht es durch dichte wälder die vielerorts an einen dschungel erinnern besonders gern mag ich in der lobau unter anderem den bibergehege rundweg und den untere lobau rundweg

free wiener frauenspaziergänge wo sich frauen in wien - Sep 28 2022

web die vorliegende studie besch ftigt sich mit dem aktuellen wissensstand zu frauenspezifischer suchtarbeit und geht im besonderen auf die derzeit bestehenden niederschweligen frauengerechten angebote und institutionen in wien ein die sich an opioidkonsumierende m dchen und frauen wenden frauenspezifische projekte sind

aktuelles seite 3 wiener frauen spaziergänge - Nov 30 2022

web ein frauen stadtpaziergang für alle geschlechter der ermutigt und stärkt um anmeldung wird gebeten der teilnehmer innenbeitrag von euro 20 wird vor ort bar eingehoben frauen vielfalt in favoriten und das rote wien 1919 ist wien die stadt

des arbeiter innen elends der wohnungsnot und tuberkulose

wien aus weiblicher sicht frauenspaziergänge durch die bezirke - Mar 03 2023

web oct 12 2017 wien aus weiblicher sicht frauenspaziergänge durch die bezirke 0 kommentare von lea luna holzinger 12 10 2017 15 09 akt 13 10 2017 12 21 auf einem frauenspaziergang lernt man die geschichte

frauenspaziergänge durch wien viel love at wir lieben wien - Apr 04 2023

web nov 16 2016 frauenspaziergänge durch wien what to do in vienna wiener menschen wie in vielen städten gibt es auch in wien zahlreiche straßen gassen und plätze die nach berühmten persönlichkeiten benannt sind künstler politiker und andere verdiente menschen sind namensgeber für teile der stadt

mehr spaziergänge wiener frauen spaziergänge - Sep 09 2023

web 50 spaziergänge 15 bezirke in den letzten jahren wurden von petra unger insgesamt 50 verschiedene routen durch die stadt entwickelt manche bezirke lassen sich über 4 verschiedene routen entdecken andere müssen noch entdeckt werden neugierig

reise ins weibliche wien stadtbekannt - Aug 28 2022

web raus aus dem korsett die modemacherin emilie flöge zwischen landstraße und josefstadt

themen wiener frauen spaziergänge - Jul 07 2023

web spezialthemen so manches frauen politische thema braucht mehr zeit zur auseinandersetzung spezialführungen eröffnen diesen raum hier drei angebote wir wollen freiheit friede recht wenn frauen sich zusammenschließen kommt vieles in

wiener frauen spaziergänge wo sich frauen in wien am - Oct 10 2023

web wo sich frauen in wien am besten finden Über spaziergänge aktuelles bezirke themen praktisches newsletter

wiener frauenspaziergänge wo sich frauen in wien am besten - Jun 06 2023

web wiener frauenspaziergänge wo sich frauen in wien am besten finden wienfacetten unger petra amazon de bücher bücher politik geschichte geschichte nach ländern gebraucht kaufen 6 61 gratis lieferung 24 26 mai details lieferadresse wählen gebraucht sehr gut details verkauft von rebuy recommerce gmbh in den einkaufswagen

wiener frauenspaziergänge wo sich frauen in wien am besten - Mar 23 2022

web sep 14 2023 wiener frauenspaziergänge wo sich frauen in wien am besten finden wienfacetten by petra unger home musik und kunst privatuniversität der stadt wien über wiener frauenspaziergänge wo sich frauen in wiener kaffeehaus tageszeitung für österreich wiener zeitung online wiener frauenspaziergänge wo sich frauen in wien

go like hell ford ferrari and their battle for speed and glory at - Feb 15 2023

web aug 31 2011 coming to cinemas in november 2019 under the title le mans 66 in the 1960s enzo ferrari emerged as the dominant force in sports cars in the world creating speed machines that were unbeatable on the race track in america the

ford motor company was quickly losing ground as the pre eminent brand

go like hell ford ferrari and their battle for sp download only - Mar 16 2023

web go like hell ford ferrari and their battle for sp the girl who could move sh t with her mind oct 04 2021 full of imagination wit and random sh t flying through the air this insane adventure from an irreverent new voice will blow your tiny mind for teagan frost sh t just got real teagan frost is having a hard time keeping it together

go like hell paperback baime a j amazon in - Jan 14 2023

web a j baime is the new york times bestselling author of the accidental president harry s truman and the four months that changed the world 2017 the arsenal of democracy fdr detroit and an epic quest to arm an america at war 2014 go like hell ford ferrari and their battle for speed and glory at le mans 2009 and dewey defeats

read free go like hell ford ferrari and their battle for sp - Jun 07 2022

web told in the forthcoming hollywood movie ford v ferrari this updated edition of the ford that beat ferrari tells the story of how that mission was eventually accomplished development of the gt40 how the prototype ford gt emerged in 1964 from the previous year s lola gt programme the works teams and the gt40 the car s racing exploits in

go like hell ford ferrari and their battle for speed and - Nov 12 2022

web go like hell tells the remarkable story of how henry ford ii with the help of a young visionary named lee iacocca and a former racing champion turned engineer carroll shelby concocted a scheme to reinvent the ford company

go like hell ford ferrari and their battle for speed and glory - Jul 20 2023

web jan 1 2009 go like hell ford ferrari and their battle for speed and glory at le mans baime a j on amazon com free shipping on qualifying offers go like hell ford ferrari and their battle for speed and glory at le mans

go like hell ford ferrari and their battle for sp 2023 - Aug 09 2022

web enzo ferrari the man the cars the races the machine the arsenal of democracy ken miles the first three shelby cobras shelby gt40 ford gt40 and the new ford gt the last shelby cobra go like hell return to glory cannonball ford gt big shots ted williams ferrari 70 years waking gods the ford that beat ferrari ford versus ferrari

go like hell ford ferrari and their battle for speed and glory at - Jun 19 2023

web go like hell ford ferrari and their battle for speed and glory at le mans by the early 1960s the ford motor company was falling behind young henry ford ii who had taken the reins with little business experience had to do something to shake things up

go like hell ford ferrari and their battle for speed - Oct 23 2023

web jan 1 2009 4 47 3 870 ratings372 reviews by the early 1960s the ford motor company built to bring automobile transportation to the masses was falling behind young henry ford ii who had taken the reins of his grandfather s company

with little business experience to speak of knew he had to do something to shake things up

read free go like hell ford ferrari and their battle for sp - Apr 05 2022

web go like hell ford ferrari and their battle for sp mathematical modeling of warfare and combat phenomenon may 25 2020

the primary goal of this book is to assist the student to develop the skills necessary to effectively employ the ideas of

mathematics to solve military problems at the simplest level i seek to promote an

go like hell ford ferrari and their battle for sp brock yates - Jul 08 2022

web go like hell ford ferrari and their battle for sp go like hell ford ferrari and their battle for sp 2 downloaded from rjonline

org on 2020 02 16 by guest saloon owner whose fingers are in everyone s business may know more about the town s true

origins than he s letting on a haven for the blessed and the damned golgotha has known many

pdf epub go like hell ford ferrari and their battle for - Dec 13 2022

web apr 22 2020 brief summary of book go like hell ford ferrari and their battle for speed and glory at le mans by a j baime

here is a quick description and cover image of book go like hell ford ferrari and their battle for speed and glory at le mans

written by a j baime which was published in 2009 1 1

go like hell ford ferrari and their battle for speed and glory - Sep 22 2023

web jun 17 2010 a j baime harpercollins jun 17 2010 sports recreation 336 pages the epic story also told in the film ford v

ferrari by the early 1960s the ford motor company built to bring

go like hell ford vs ferrari part 1 youtube - Sep 10 2022

web feb 6 2023 about press copyright contact us creators advertise developers terms privacy policy safety how youtube

works test new features nfl sunday ticket press copyright

free pdf download go like hell ford ferrari and their battle for sp - May 06 2022

web jet set lifestyle and prized ferrari for enlightenment and fulfillment readers will learn the true purpose of their lives how

to unlock their highest potential the secret of boundless joy and a direct route to personal freedom a must read for all monk

fans ferrari sep 11 2023 for nearly 60 years ferrari has built the sports cars which

go like hell ford ferrari and their battle for sp harry mazer - Mar 04 2022

web go like hell ford ferrari and their battle for sp and numerous book collections from fictions to scientific research in any

way accompanied by them is this go like hell ford ferrari and their battle for sp that can be your partner empire in black and

gold adrian tchaikovsky 2010 06 28 the city states of the lowlands have lived in peace for

go like hell ford ferrari and their battle for speed and glory - May 18 2023

web go like hell ford ferrari and their battle for speed and glory at le mans albert j baime houghton mifflin harcourt 2009

automobile engineers 304 pages

go like hell ford ferrari and their battle for speed and glory - Apr 17 2023

web houghton mifflin harcourt 26 304pp isbn 978 0 618 82219 5 in the 1950s and 60s the 24 hours of le mans in france were not just a race but according to playboy editor baime the most

go like hell ford ferrari and their battle for speed and glory - Oct 11 2022

web get the full version of this audiobook audiobookscloud com b00frihfqm go like hell ford ferrari and their battle for speed and glory at le mans by the early 1960s ford motor company

go like hell ford ferrari and their battle for speed and glory at - Aug 21 2023

web buy go like hell ford ferrari and their battle for speed and glory at le mans by baime a j isbn 9780553818390 from amazon s book store everyday low prices and free delivery on eligible orders go like hell ford ferrari and their battle for speed and glory at le mans amazon co uk baime a j 9780553818390 books