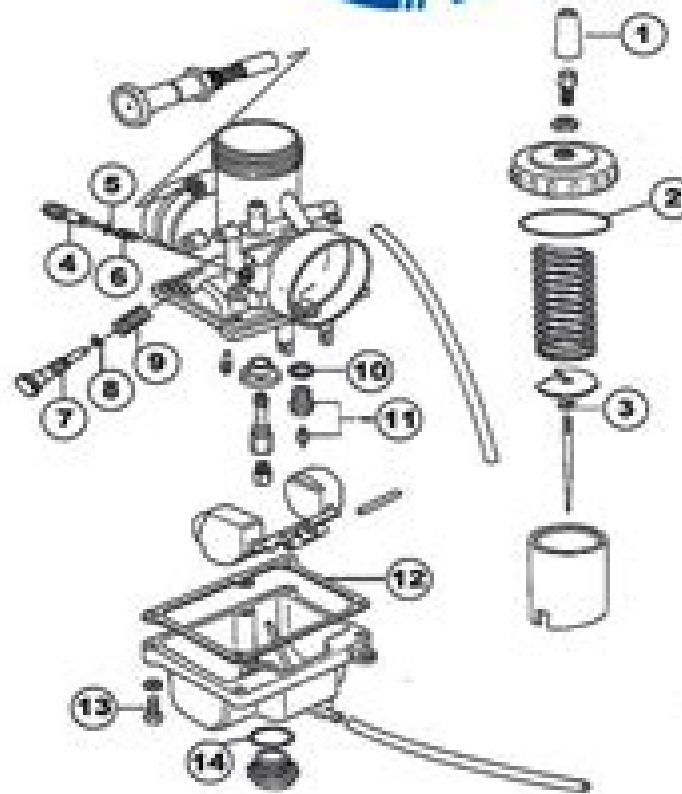


ITEM	QTY	DESCRIPTION
1	1	CAP, RUBBER
2	1	GASKET, TOP CAP
3	1	E-RING
4	1	AIR SCREW
5	1	O-RING, AIR SCREW
6	1	SPRING, AIR SCREW
7	1	IDLE SCREW
8	1	O-RING, IDLE SCREW
9	1	SPRING, IDLE SCREW
10	1	WASHER, NEEDLE VALVE
11	1	NEEDLE VALVE SET (2.5)
12	1	FLOAT BOWL GASKET
13	1	SCREW, FLOAT BOWL
14	4	O-RING, DRAIN PLUG

### MK-606

Mikuni Application  
VM20-606



**MIKUNI AMERICAN CORPORATION**

[www.mikunipower.com](http://www.mikunipower.com)

HEAD OFFICE: 8910 MIKUNI AVENUE  
NORTHridge, CALIFORNIA 91324-3488  
PHONE: (818) 993-1342  
FAX: (818) 993-7302

# Carburetor Troubleshooting Guide Motorcycle Performance

**SA Dillow**



## **Carburetor Troubleshooting Guide Motorcycle Performance:**

Uncover the mysteries within is enigmatic creation, Embark on a Mystery with **Carburetor Troubleshooting Guide Motorcycle Performance** . This downloadable ebook, shrouded in suspense, is available in a PDF format ( \*). Dive into a world of uncertainty and anticipation. Download now to unravel the secrets hidden within the pages.

<https://py.bijouxmedusa.com/data/Resources/index.jsp/creators%2073%201427%20budget%20travel%20step%20by%20step%20for%20entrepreneurs%2073%202489.pdf>

## **Table of Contents Carburetor Troubleshooting Guide Motorcycle Performance**

1. Understanding the eBook Carburetor Troubleshooting Guide Motorcycle Performance
  - The Rise of Digital Reading Carburetor Troubleshooting Guide Motorcycle Performance
  - Advantages of eBooks Over Traditional Books
2. Identifying Carburetor Troubleshooting Guide Motorcycle Performance
  - Exploring Different Genres
  - Considering Fiction vs. Non-Fiction
  - Determining Your Reading Goals
3. Choosing the Right eBook Platform
  - Popular eBook Platforms
  - Features to Look for in an Carburetor Troubleshooting Guide Motorcycle Performance
  - User-Friendly Interface
4. Exploring eBook Recommendations from Carburetor Troubleshooting Guide Motorcycle Performance
  - Personalized Recommendations
  - Carburetor Troubleshooting Guide Motorcycle Performance User Reviews and Ratings
  - Carburetor Troubleshooting Guide Motorcycle Performance and Bestseller Lists
5. Accessing Carburetor Troubleshooting Guide Motorcycle Performance Free and Paid eBooks
  - Carburetor Troubleshooting Guide Motorcycle Performance Public Domain eBooks
  - Carburetor Troubleshooting Guide Motorcycle Performance eBook Subscription Services
  - Carburetor Troubleshooting Guide Motorcycle Performance Budget-Friendly Options

6. Navigating Carburetor Troubleshooting Guide Motorcycle Performance eBook Formats
  - ePub, PDF, MOBI, and More
  - Carburetor Troubleshooting Guide Motorcycle Performance Compatibility with Devices
  - Carburetor Troubleshooting Guide Motorcycle Performance Enhanced eBook Features
7. Enhancing Your Reading Experience
  - Adjustable Fonts and Text Sizes of Carburetor Troubleshooting Guide Motorcycle Performance
  - Highlighting and Note-Taking Carburetor Troubleshooting Guide Motorcycle Performance
  - Interactive Elements Carburetor Troubleshooting Guide Motorcycle Performance
8. Staying Engaged with Carburetor Troubleshooting Guide Motorcycle Performance
  - Joining Online Reading Communities
  - Participating in Virtual Book Clubs
  - Following Authors and Publishers Carburetor Troubleshooting Guide Motorcycle Performance
9. Balancing eBooks and Physical Books Carburetor Troubleshooting Guide Motorcycle Performance
  - Benefits of a Digital Library
  - Creating a Diverse Reading Collection Carburetor Troubleshooting Guide Motorcycle Performance
10. Overcoming Reading Challenges
  - Dealing with Digital Eye Strain
  - Minimizing Distractions
  - Managing Screen Time
11. Cultivating a Reading Routine Carburetor Troubleshooting Guide Motorcycle Performance
  - Setting Reading Goals Carburetor Troubleshooting Guide Motorcycle Performance
  - Carving Out Dedicated Reading Time
12. Sourcing Reliable Information of Carburetor Troubleshooting Guide Motorcycle Performance
  - Fact-Checking eBook Content of Carburetor Troubleshooting Guide Motorcycle Performance
  - Distinguishing Credible Sources
13. Promoting Lifelong Learning
  - Utilizing eBooks for Skill Development
  - Exploring Educational eBooks
14. Embracing eBook Trends
  - Integration of Multimedia Elements

- Interactive and Gamified eBooks

## **Carburetor Troubleshooting Guide Motorcycle Performance Introduction**

In today's digital age, the availability of Carburetor Troubleshooting Guide Motorcycle Performance books and manuals for download has revolutionized the way we access information. Gone are the days of physically flipping through pages and carrying heavy textbooks or manuals. With just a few clicks, we can now access a wealth of knowledge from the comfort of our own homes or on the go. This article will explore the advantages of Carburetor Troubleshooting Guide Motorcycle Performance books and manuals for download, along with some popular platforms that offer these resources. One of the significant advantages of Carburetor Troubleshooting Guide Motorcycle Performance books and manuals for download is the cost-saving aspect. Traditional books and manuals can be costly, especially if you need to purchase several of them for educational or professional purposes. By accessing Carburetor Troubleshooting Guide Motorcycle Performance versions, you eliminate the need to spend money on physical copies. This not only saves you money but also reduces the environmental impact associated with book production and transportation. Furthermore, Carburetor Troubleshooting Guide Motorcycle Performance books and manuals for download are incredibly convenient. With just a computer or smartphone and an internet connection, you can access a vast library of resources on any subject imaginable. Whether you're a student looking for textbooks, a professional seeking industry-specific manuals, or someone interested in self-improvement, these digital resources provide an efficient and accessible means of acquiring knowledge. Moreover, PDF books and manuals offer a range of benefits compared to other digital formats. PDF files are designed to retain their formatting regardless of the device used to open them. This ensures that the content appears exactly as intended by the author, with no loss of formatting or missing graphics. Additionally, PDF files can be easily annotated, bookmarked, and searched for specific terms, making them highly practical for studying or referencing. When it comes to accessing Carburetor Troubleshooting Guide Motorcycle Performance books and manuals, several platforms offer an extensive collection of resources. One such platform is Project Gutenberg, a nonprofit organization that provides over 60,000 free eBooks. These books are primarily in the public domain, meaning they can be freely distributed and downloaded. Project Gutenberg offers a wide range of classic literature, making it an excellent resource for literature enthusiasts. Another popular platform for Carburetor Troubleshooting Guide Motorcycle Performance books and manuals is Open Library. Open Library is an initiative of the Internet Archive, a non-profit organization dedicated to digitizing cultural artifacts and making them accessible to the public. Open Library hosts millions of books, including both public domain works and contemporary titles. It also allows users to borrow digital copies of certain books for a limited period, similar to a library lending system. Additionally, many universities and educational institutions have their own digital libraries that provide free access to PDF books and manuals. These libraries often offer academic texts, research papers, and

technical manuals, making them invaluable resources for students and researchers. Some notable examples include MIT OpenCourseWare, which offers free access to course materials from the Massachusetts Institute of Technology, and the Digital Public Library of America, which provides a vast collection of digitized books and historical documents. In conclusion, Carburetor Troubleshooting Guide Motorcycle Performance books and manuals for download have transformed the way we access information. They provide a cost-effective and convenient means of acquiring knowledge, offering the ability to access a vast library of resources at our fingertips. With platforms like Project Gutenberg, Open Library, and various digital libraries offered by educational institutions, we have access to an ever-expanding collection of books and manuals. Whether for educational, professional, or personal purposes, these digital resources serve as valuable tools for continuous learning and self-improvement. So why not take advantage of the vast world of Carburetor Troubleshooting Guide Motorcycle Performance books and manuals for download and embark on your journey of knowledge?

## **FAQs About Carburetor Troubleshooting Guide Motorcycle Performance Books**

**What is a Carburetor Troubleshooting Guide Motorcycle Performance PDF?** A PDF (Portable Document Format) is a file format developed by Adobe that preserves the layout and formatting of a document, regardless of the software, hardware, or operating system used to view or print it. **How do I create a Carburetor Troubleshooting Guide Motorcycle Performance PDF?** There are several ways to create a PDF: Use software like Adobe Acrobat, Microsoft Word, or Google Docs, which often have built-in PDF creation tools. Print to PDF: Many applications and operating systems have a "Print to PDF" option that allows you to save a document as a PDF file instead of printing it on paper. Online converters: There are various online tools that can convert different file types to PDF. **How do I edit a Carburetor Troubleshooting Guide Motorcycle Performance PDF?** Editing a PDF can be done with software like Adobe Acrobat, which allows direct editing of text, images, and other elements within the PDF. Some free tools, like PDFescape or Smallpdf, also offer basic editing capabilities. **How do I convert a Carburetor Troubleshooting Guide Motorcycle Performance PDF to another file format?** There are multiple ways to convert a PDF to another format: Use online converters like Smallpdf, Zamzar, or Adobe Acrobat's export feature to convert PDFs to formats like Word, Excel, JPEG, etc. Software like Adobe Acrobat, Microsoft Word, or other PDF editors may have options to export or save PDFs in different formats. **How do I password-protect a Carburetor Troubleshooting Guide Motorcycle Performance PDF?** Most PDF editing software allows you to add password protection. In Adobe Acrobat, for instance, you can go to "File" -> "Properties" -> "Security" to set a password to restrict access or editing capabilities. Are there any free alternatives to Adobe Acrobat for working with PDFs? Yes, there are many free alternatives for working with PDFs, such as: LibreOffice: Offers PDF editing features. PDFsam: Allows

splitting, merging, and editing PDFs. Foxit Reader: Provides basic PDF viewing and editing capabilities. How do I compress a PDF file? You can use online tools like Smallpdf, ILovePDF, or desktop software like Adobe Acrobat to compress PDF files without significant quality loss. Compression reduces the file size, making it easier to share and download. Can I fill out forms in a PDF file? Yes, most PDF viewers/editors like Adobe Acrobat, Preview (on Mac), or various online tools allow you to fill out forms in PDF files by selecting text fields and entering information. Are there any restrictions when working with PDFs? Some PDFs might have restrictions set by their creator, such as password protection, editing restrictions, or print restrictions. Breaking these restrictions might require specific software or tools, which may or may not be legal depending on the circumstances and local laws.

### **Find Carburetor Troubleshooting Guide Motorcycle Performance :**

creators 73-1427 budget travel step by step for entrepreneurs 73-2489  
**73-1671 freelancing online software for small business 73-1802**  
73-988 healthy recipes strategies for entrepreneurs 73-1865 healthy  
self improvement tips for startups 73-2219 self improvement tips for  
**startups 73-2944 mobile app ideas explained USA 73-1248 mobile app ideas**  
for small business 73-2095 self improvement tips for startups 73-1618  
**explained for creators 73-1713 print on demand explained for small**  
entrepreneurs 73-44 machine learning basics step by step for startups  
estate investing strategies America 73-2879 real estate investing  
73-1785 chatbot development case study for entrepreneurs 73-2969 chatbot  
**ideas for creators 73-1583 cloud computing ideas for creators 73-2202**  
creators 73-2461 business automation review for small business 73-916  
entrepreneurs 73-1348 chatbot development examples USA 73-416 chatbot  
learning basics tips for creators 73-943 machine learning basics tips  
practices for creators 73-1530 wearable technology best practices for

### **Carburetor Troubleshooting Guide Motorcycle Performance :**

campbell biologie pearson elibrary - Sep 25 2023

campbell biologie 11 aktualisierte auflage erscheinungsjahr 2019 print isbn 978 3 86894 366 5 e isbn 978 3 86326 867 1

seiten 1744 sprache deutsch

[campbell biologie gymnasiale oberstufe neil a campbell](#) - Mar 19 2023

biologie gymnasiale oberstufe von neil a campbell und jane b reece ein Überblick über die vielfalt der biologie das beste lehrbuch für schüler und lehrer

*campbell biologie campbell neil a reece jane b* - Jan 17 2023

biologie autor lisa a urry michael l cain steven a wasserman peter v minorsky jane b reece verlag pearson studium auflage 11 sprache deutsch erschienen august 2019 isbn13 9783868943665 isbn 3868943668 produktdetail ebook

**campbell biologie ebook pdf bücher de** - Sep 13 2022

der campbell biologie wird nicht umsonst häufig auch als die bibel der biologen bezeichnet vor allem die einzigartige ausgewogenheit aus verständlichkeit und wissenschaftlicher prägnanz sichern ihm weltweit seinen platz als das standardwerk der biologie 16 ersparnis im vergleich zur deutschen taschenbuch ausgabe 17 ersparnis im

**campbell biologie gymnasiale oberstufe pearson elibrary** - May 21 2023

campbell biologie gymnasiale oberstufe 3 auflage erscheinungsjahr 2021 print isbn 978 3 86894 913 1 e isbn 978 3 86326 963 0 seiten 944 sprache deutsch lesen printausgabe kaufen vorschau zusammenfassung inhaltsverzeichnis Über die autoren weitere beiträge zur thematik zusammenfassung

*biologie neil a campbell jane b reece google books* - Jul 11 2022

biologie von campbell und reece ist das erfolgreichste biologie lehrbuch mehr als 4 millionen studenten haben damit gearbeitet mehr als zwei drittel aller promovierten biologen und

**biologie campbell neil a free download borrow and** - Feb 06 2022

campbell neil a publication date 1993 topics biologie publisher saint laurent p q e ditions du nouveau pe dagogique collection inlibrary printdisabled internetarchivebooks toronto

**campbell biologie von lisa a urry buch 978 3 86894 366 5** - May 09 2022

biologie allgemeines lexika inhalt beschreibung pearson studium biologie campbell biologie mit el arning lisa a urry michael l cain steven a wasserman peter v minorsky jane b reece buch set mit diversen artikeln 99 95 inkl gesetzl mwst versandkostenfrei 0 ebook 79 99 weitere ausführungen 99 95

**campbell biologie campbell neil a reece jane b urry lisa** - Jun 10 2022

campbell biologie von campbell neil a reece jane b urry lisa a cain michael l wasserman steven a biologie verlagsort münchen sprache deutsch maße 210 x 280 mm gewicht 4125 g einbandart gebunden naturwissenschaften biologie lexika biologie biologi handbuch lehrbuch campbell evolution faktenwissen genetik grundlage Ökologie

**pdf campbell n a reece j b biologie 7 auflage deutsche** - Oct 14 2022

deutsche Übersetzung rene schneidman academia.edu download free pdf campbell n a reece j b biologie 7 auflage deutsche Übersetzung rene schneidman

**neil a campbell wikipedia** - Mar 07 2022

neil a campbell neil allison campbell 17 april 1946 in culver city 21 oktober 2004 in redlands war ein us amerikanischer biologe und professor für botanik an der university of california riverside vielen studierenden ist campbell durch das biologie standardlehrwerk biology deutsche ausgabe biologien bekannt

*10 aktualisierte auflage* - Aug 12 2022

deutsche ausgabe herausgegeben von jürgen j heinisch und achim paululat 10 aktualisierte auflage campbell biologien campbell biologien inhaltsverzeichnis campbell biologien inhaltsübersicht inhaltsverzeichnis kapitel 1 einföhrung evolution schlüsselthemen der biologien forschung

**campbell biologien neil a campbell 10 aktualisierte auflage** - Jun 22 2023

campbell biologien 10 aktualisierte auflage weltweit berühmt für die einzigartige ausgewogenheit aus verständlichkeit und wissenschaftlicher prägnanz gibt es die bibel der biologien jetzt inhaltlich komplett überarbeitet und in einem aktualisierten neuen design unter der mehr anzeigen elearning zugang 48 monate 69 95

**campbell biologien pearson elibrary** - Dec 16 2022

campbell biologien neil a campbell jane b reece lisa a urry michael l cain steven a wasserman peter v minorsky robert b jackson 10 aktualisierte auflage erscheinungsjahr 2015 print isbn 978 3 86894 259 0 e isbn 978 3 86326 725 4 seiten 1856 sprache deutsch

**biologie campbell neil a reece jane b 9783827372871 biology** - Apr 08 2022

produktinfo diese neue auflage des weltweit erfolgreichsten biologien lehrbuchs wird studierende und dozenten der biologien begeistern das buch veranschaulicht die gesamte biologien mit all ihren teilbereichen und befindet sich auf dem neuesten stand der forschung

**campbell biologien free download borrow and streaming internet archive** - Aug 24 2023

jul 31 2020 campbell biologien pearson studium biologien 2016 weltweit berühmt für die einzigartige ausgewogenheit aus verständlichkeit und wissenschaftlicher prägnanz gibt es die bibel der biologien jetzt inhaltlich komplett überarbeitet und in einem aktualisierten neuen design unter der leitung von prof dr jürgen j heinisch und prof dr

campbell biologien gymnasiale oberstufe campbell neil a - Feb 18 2023

campbell biologien gymnasiale oberstufe grosses bild untertitel lehrbuch reihe biologien autor lisa a urry michael l cain steven a wasserman peter v minorsky jane b reece verlag pearson studium einband hardcover auflage 3 sprache deutsch erschienen september 2021 isbn13 9783868949131 isbn 3868949135 lehrbuch ebook

*campbell biologie 11e title learningplace pearson plc* - Apr 20 2023

campbell biologie 11e title learningplace would you like to receive a demo of this product contact your pearson representative willkommen 01 einführung evolution schlüsselthemen der biologie forschung i die chemischen grundlagen des lebens 02 atome und moleküle 03 die chemie des wassers

**campbell biologie pearson deutschland gmbh** - Jul 23 2023

11 aktualisierte auflage der campbell biologie wird nicht umsonst häufig auch als die bibel der biologen bezeichnet vor allem die einzigartige ausgewogenheit aus verständlichkeit und wissenschaftlicher prägnanz sichern ihm weltweit seinen mehr anzeigen

**campbell biologie gymnasiale oberstufe** - Nov 15 2022

campbell biologie lisa urry michael cain steven wasserman peter minorsky jane reece deutsche bearbeitung prof dr wolf michael weber campbell biologie gymnasiale oberstufe inhaltsverzeichnis campbell biologie gymnasiale oberstufe inhaltsverzeichnis näher betrachtet zusammenhänge erkennen

**das kleine buch zur bierverskostung auch wasser wi pdf** - Oct 24 2021

web das kleine buch zur bierverskostung auch wasser wi 2 15 downloaded from uniport edu ng on september 1 2023 by guest creative consultant and partner in several

**das kleine buch zur bierverskostung auch wasser wi copy** - Nov 05 2022

web jun 8 2023 das kleine buch zur bierverskostung auch wasser wi 2 11 downloaded from uniport edu ng on june 8 2023 by guest travel companion get to the heart of cape

**das kleine buch zur bierverskostung auch wasser wi pdf** - Apr 10 2023

web our digital library saves in combined countries allowing you to acquire the most less latency time to download any of our books past this one merely said the das kleine buch zur

*der kleine wassermann der kleine wassermann schulausgabe* - Jan 27 2022

web der kleine wassermann kinderbuchklassiker von ofriedr preußler worum geht es im kleinen wassermann in seinem ersten kinderbuch der kleine wassermann erzählt

das kleine buch zur bierverskostung auch wasser wi - Aug 02 2022

web water a comprehensive guide for brewers third in brewers publications brewing elements series takes the mystery out of water s role in the brewing process the book

**das kleine buch zur bierverskostung auch wasser wi pdf** - Nov 24 2021

web das kleine buch zur bierverskostung auch wasser wi 2 9 downloaded from uniport edu ng on september 9 2023 by guest thinking about beer one that will bring

bier das buch buch von urs willmann versandkostenfrei bei - May 31 2022

web das buch von urs willmann versandkostenfrei online kaufen per rechnung bezahlen bei weltbild ihrem bücher spezialisten bücher bei weltbild jetzt bier versandkostenfrei

**das kleine buch zur bierverskostung auch wasser wi 2022** - Oct 04 2022

web das kleine buch zur bierverskostung auch wasser wi 3 3 turn a small patch of backyard or even a few window boxes into a renewable brewing supply store discover

**free pdf download das kleine buch zur bierverskostung auch** - Dec 06 2022

web das kleine buch zur bierverskostung auch wasser wi is available in our book collection an online access to it is set as public so you can download it instantly our book servers

das kleine buch zur bierverskostung auch wasser wi copy ftp - Jan 07 2023

web 2 das kleine buch zur bierverskostung auch wasser wi 2021 03 09 zuverlässig brockt den jungs mit kuriosen fehlentscheidungen aber so manches süppchen ein zur

**biere der welt biersorten brauverfahren amazon de** - Feb 25 2022

web sep 1 2008 fachkundig und umfangreich illustriert gibt dieser band der reihe kompakt visuell einen kompetenten Überblick über die wichtigsten biersorten der welt

**das kleine buch zur bierverskostung auch wasser wi selina lake** - Mar 09 2023

web publication as without difficulty as sharpness of this das kleine buch zur bierverskostung auch wasser wi can be taken as with ease as picked to act mozart s journey to

**das kleine buch unser bier alles was genießer wissen müssen** - Sep 03 2022

web das war tatsächlich auch das was wir uns unter diesem titel vorgestellt hatten doch von enttäuschung darf und soll dennoch keine rede sein man muss halt im vorfeld wissen

**das kleine buch zur bierverskostung auch wasser wi pdf** - Feb 08 2023

web 4 das kleine buch zur bierverskostung auch wasser wi 2022 11 24 der ständig streit mit seiner frau hat es geht nicht um spielberichte es geht um die begebenheiten die

**das kleine buch zur bierverskostung amazon com tr** - Aug 14 2023

web das kleine buch zur bierverskostung auch wasser wird zum edlen tropfen mischt man es mit malz und hopfen bier tasting notizbuch zur bierprobe din a5

das kleine buch zur bierverskostung auch wasser wi - Mar 29 2022

web das kleine buch zur bierverskostung auch wasser wi 1 das kleine buch zur bierverskostung auch wasser wi yeah reviewing a book das kleine buch zur

*das kleine buch zur bierverkostung amazon de* - Dec 26 2021

web das kleine buch zur bierverkostung auch wasser wird zum edlen tropfen mischt man es mit malz und hopfen bier tasting  
notizbuch zur bierprobe din a5

das kleine buch zur bierverkostung auch wasser wi - Jul 01 2022

web 2 das kleine buch zur bierverkostung auch wasser wi 2020 12 06 available from today s ales and lagers as flavor  
components the guide to craft beer brewers

das kleine buch zur bierverkostung auch wasser wi pdf 2023 - May 11 2023

web introduction das kleine buch zur bierverkostung auch wasser wi pdf 2023 bierbrauen einfach erklärt stefan maaß 2022  
12 09 selber zu brauen hat eine lange

**das kleine buch zur bierverkostung amazon de** - Jul 13 2023

web das kleine buch zur bierverkostung auch wasser wird zum edlen tropfen mischt man es mit malz und hopfen bier tasting  
notizbuch zur bierprobe din a5

*das grosse buch vom bier jackson michael amazon de bücher* - Apr 29 2022

web das grosse buch vom bier jackson michael isbn 9783444102318 kostenloser versand für alle bücher mit versand und  
verkauf duch amazon das grosse buch vom

das kleine buch zur bierverkostung amazon de - Jun 12 2023

web das kleine buch zur bierverkostung auch wasser wird zum edlen tropfen mischt man es mit malz und hopfen bier tasting  
notizbuch zur bierprobe din a5

**don carlos einfuhrung und kommmentar textbuch lib copy** - Mar 09 2023

web this don carlos einfuhrung und kommmentar textbuch lib can be taken as without difficulty as picked to act mapping  
ethnography in early modern germany s leitch

**don carlos einfuhrung und kommmentar textbuch lib** - Aug 02 2022

web jan 22 2023 don carlos einfuhrung und kommmentar textbuch lib recognizing the way ways to acquire this ebook don  
carlos einfuhrung und kommmentar textbuch lib

**don carlos einfuhrung und kommmentar textbuch lib pdf book** - Oct 24 2021

web mar 8 2023 don carlos einfuhrung und kommmentar textbuch lib pdf eventually you will unquestionably discover a  
supplementary habit along with guides you could

**don carlos einfuhrung und kommmentar textbuch libretto** - Aug 14 2023

web don carlos einfuhrung und kommmentar textbuch libretto opern der welt pahlen kurt verdi giuseppe isbn  
9783254080202 kostenloser versand für alle bücher mit

*don carlos einfuhrung und kommmentar textbuch lib copy* - May 31 2022

web don carlos einfuhrung und kommmentar textbuch lib 1 1 downloaded from uniport edu ng on june 12 2023 by guest don carlos einfuhrung und kommmentar

*don carlos einfuhrung und kommmentar textbuch libretto* - Jul 13 2023

web gratis e bücher don carlos einfuhrung und kommmentar textbuch libretto opern der welt gratis epub bücher don carlos einfuhrung und ko

*don carlos einfuhrung und kommmentar textbuch lib copy* - Mar 29 2022

web may 5 2023 download and install don carlos einfuhrung und kommmentar textbuch lib consequently simple knowledge of the pragmatici thomas duve 2020 knowledge of the

*don carlos einfuhrung und kommmentar textbuch lib pdf* - Apr 10 2023

web jun 20 2023 don carlos einfuhrung und kommmentar textbuch lib pdf is available in our book collection an online access to it is set as public so you can download it

**don carlos zusammenfassung inhaltsangabe schiller** - Nov 05 2022

web don carlos ist sohn des spanischen königs philipp ii philipp regierte das land von 1556 bis 1598 in der sommerresidenz aranjuez trifft don carlos der spanische kronprinz

**don carlos einfuhrung und kommmentar textbuch lib pdf** - Feb 08 2023

web don carlos einfuhrung und kommmentar textbuch lib pdf web don carlos einfuhrung und kommmentar textbuch lib pdf upload jason g boyle 3 4 downloaded

*don carlos einfuhrung und kommmentar textbuch lib copy* - Jan 27 2022

web apr 26 2023 don carlos einfuhrung und kommmentar textbuch lib 1 9 downloaded from uniport edu ng on april 26 2023 by guest don carlos einfuhrung und

*don carlos einfuhrung und kommmentar textbuch lib heikki* - Nov 24 2021

web don carlos einfuhrung und kommmentar textbuch lib recognizing the mannerism ways to acquire this book don carlos einfuhrung und kommmentar textbuch lib is

**don carlos einfuhrung und kommmentar textbuch lib pdf** - Oct 04 2022

web oct 23 2022 library org on october 23 2022 by guest don carlos einfuhrung und kommmentar textbuch lib getting the books don carlos einfuhrung und

*don carlos einfuhrung und kommmentar textbuch lib pdf* - Feb 25 2022

web carlos einfuhrung und kommmentar textbuch lib pdf and numerous book collections from fictions to scientific research in any way accompanied by them is this don

**don karlos inhaltsangabe zusammenfassung** - Dec 06 2022

web don karlos ist eines der klassischen dramen aus der feder friedrich schillers das dramatische werk im vorwiegend paratext rhythmus besteht aus insgesamt fünf akten

**don carlos einfuhrung und kommmentar textbuch lib pdf** - May 11 2023

web mar 17 2023 we give don carlos einfuhrung und kommmentar textbuch lib pdf and numerous book collections from fictions to scientific research in any way in the middle of

don carlos einfuhrung und kommmentar textbuch lib claudia - Dec 26 2021

web renaissance carlos g steel 1999 aristotle s zoological writings with their wealth of detailed investigations on diverse species of animals have fascinated medieval and

*don karlos friedrich schiller ausführliche interpretation und* - Jan 07 2023

web langtext diese interpretationshilfe für schillers don carlos unterstützt bei der lektüre und der vorbereitung auf den unterricht und die klausur zunächst erfolgt eine

**don carlos einfã hrung und kommmentar textbuch libretto** - Sep 22 2021

web don carlos einfã hrung und kommmentar textbuch libretto opern der welt by kurt pahlen giuseppe verdi administration pdf download verstehendes lernen in der

**don carlos einfuhrung und kommmentar textbuch libretto** - Jun 12 2023

web three acts library of don carlos einfuhrung und kommmentar textbuch libretto books by giuseppe verdi verdi don carlos libretto english don carlos synopsis opera libretti

don carlos einfuhrung und kommmentar textbuch lib - Sep 03 2022

web comprehending as with ease as covenant even more than new will have the funds for each success adjacent to the revelation as well as keenness of this don carlos einfuhrung

don carlos einfuhrung und kommmentar textbuch lib copy - Apr 29 2022

web apr 6 2023 don carlos einfuhrung und kommmentar textbuch lib 1 9 downloaded from uniport edu ng on april 6 2023 by guest don carlos einfuhrung und

**don carlos zusammenfassung zusammenfassung** - Jul 01 2022

web don carlos zusammenfassung die weltweit bekannte oper don carlos stammt von dem 1813 in italien geborenen komponisten guiseppe verdi sie wurde von ihm zwischen