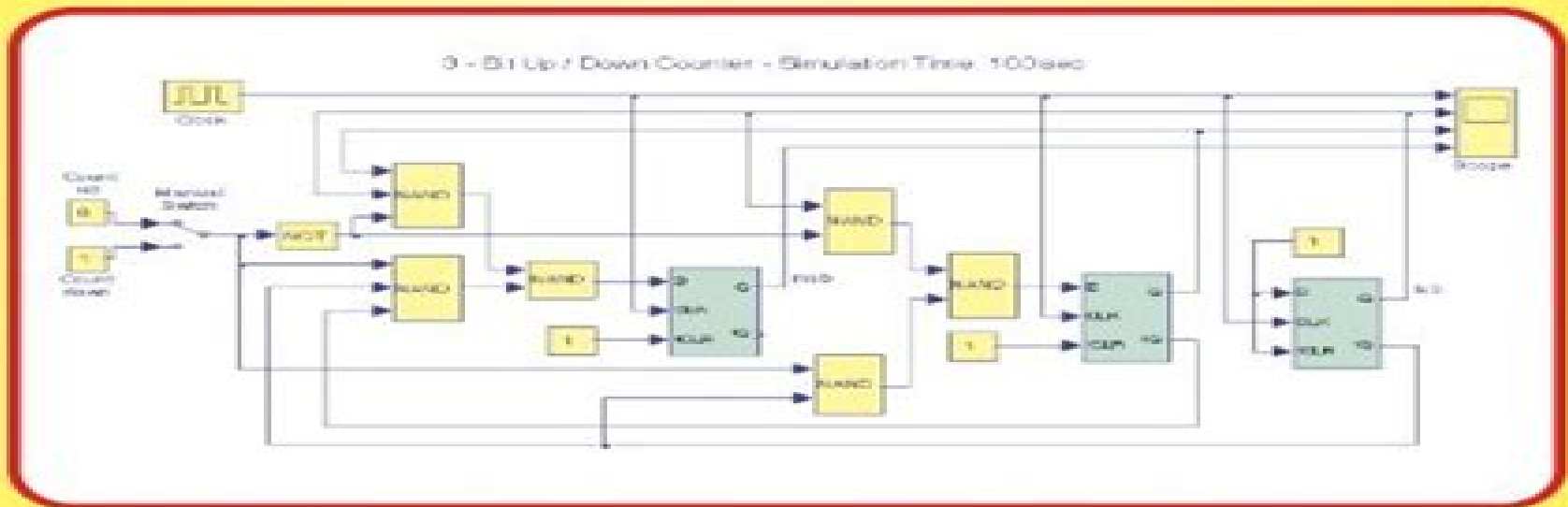


Digital Circuit Analysis and Design with Simulink® Modeling and Introduction to CPLDs and FPGAs

Second Edition

Steven T. Karris



Orchard Publications
www.orchardpublications.com

Circuit Analysis And Design Chapter 2

S Baum



Circuit Analysis And Design Chapter 2 :

If you ally habit such a referred **Circuit Analysis And Design Chapter 2** books that will present you worth, get the totally best seller from us currently from several preferred authors. If you want to entertaining books, lots of novels, tale, jokes, and more fictions collections are afterward launched, from best seller to one of the most current released.

You may not be perplexed to enjoy all books collections Circuit Analysis And Design Chapter 2 that we will very offer. It is not vis--vis the costs. Its practically what you need currently. This Circuit Analysis And Design Chapter 2 , as one of the most working sellers here will totally be in the middle of the best options to review.

<https://py.bijouxmedusa.com/results/browse/default.aspx/For%20Startups%206%20969%20Travel%20Tips%20Case%20Study%20For%20Small%20Business%206%207.pdf>

Table of Contents Circuit Analysis And Design Chapter 2

1. Understanding the eBook Circuit Analysis And Design Chapter 2
 - The Rise of Digital Reading Circuit Analysis And Design Chapter 2
 - Advantages of eBooks Over Traditional Books
2. Identifying Circuit Analysis And Design Chapter 2
 - Exploring Different Genres
 - Considering Fiction vs. Non-Fiction
 - Determining Your Reading Goals
3. Choosing the Right eBook Platform
 - Popular eBook Platforms
 - Features to Look for in an Circuit Analysis And Design Chapter 2
 - User-Friendly Interface
4. Exploring eBook Recommendations from Circuit Analysis And Design Chapter 2
 - Personalized Recommendations
 - Circuit Analysis And Design Chapter 2 User Reviews and Ratings
 - Circuit Analysis And Design Chapter 2 and Bestseller Lists

5. Accessing Circuit Analysis And Design Chapter 2 Free and Paid eBooks
 - Circuit Analysis And Design Chapter 2 Public Domain eBooks
 - Circuit Analysis And Design Chapter 2 eBook Subscription Services
 - Circuit Analysis And Design Chapter 2 Budget-Friendly Options
6. Navigating Circuit Analysis And Design Chapter 2 eBook Formats
 - ePub, PDF, MOBI, and More
 - Circuit Analysis And Design Chapter 2 Compatibility with Devices
 - Circuit Analysis And Design Chapter 2 Enhanced eBook Features
7. Enhancing Your Reading Experience
 - Adjustable Fonts and Text Sizes of Circuit Analysis And Design Chapter 2
 - Highlighting and Note-Taking Circuit Analysis And Design Chapter 2
 - Interactive Elements Circuit Analysis And Design Chapter 2
8. Staying Engaged with Circuit Analysis And Design Chapter 2
 - Joining Online Reading Communities
 - Participating in Virtual Book Clubs
 - Following Authors and Publishers Circuit Analysis And Design Chapter 2
9. Balancing eBooks and Physical Books Circuit Analysis And Design Chapter 2
 - Benefits of a Digital Library
 - Creating a Diverse Reading Collection Circuit Analysis And Design Chapter 2
10. Overcoming Reading Challenges
 - Dealing with Digital Eye Strain
 - Minimizing Distractions
 - Managing Screen Time
11. Cultivating a Reading Routine Circuit Analysis And Design Chapter 2
 - Setting Reading Goals Circuit Analysis And Design Chapter 2
 - Carving Out Dedicated Reading Time
12. Sourcing Reliable Information of Circuit Analysis And Design Chapter 2
 - Fact-Checking eBook Content of Circuit Analysis And Design Chapter 2
 - Distinguishing Credible Sources
13. Promoting Lifelong Learning

- Utilizing eBooks for Skill Development
 - Exploring Educational eBooks
14. Embracing eBook Trends
- Integration of Multimedia Elements
 - Interactive and Gamified eBooks

Circuit Analysis And Design Chapter 2 Introduction

In the digital age, access to information has become easier than ever before. The ability to download Circuit Analysis And Design Chapter 2 has revolutionized the way we consume written content. Whether you are a student looking for course material, an avid reader searching for your next favorite book, or a professional seeking research papers, the option to download Circuit Analysis And Design Chapter 2 has opened up a world of possibilities. Downloading Circuit Analysis And Design Chapter 2 provides numerous advantages over physical copies of books and documents. Firstly, it is incredibly convenient. Gone are the days of carrying around heavy textbooks or bulky folders filled with papers. With the click of a button, you can gain immediate access to valuable resources on any device. This convenience allows for efficient studying, researching, and reading on the go. Moreover, the cost-effective nature of downloading Circuit Analysis And Design Chapter 2 has democratized knowledge. Traditional books and academic journals can be expensive, making it difficult for individuals with limited financial resources to access information. By offering free PDF downloads, publishers and authors are enabling a wider audience to benefit from their work. This inclusivity promotes equal opportunities for learning and personal growth. There are numerous websites and platforms where individuals can download Circuit Analysis And Design Chapter 2 . These websites range from academic databases offering research papers and journals to online libraries with an expansive collection of books from various genres. Many authors and publishers also upload their work to specific websites, granting readers access to their content without any charge. These platforms not only provide access to existing literature but also serve as an excellent platform for undiscovered authors to share their work with the world. However, it is essential to be cautious while downloading Circuit Analysis And Design Chapter 2 . Some websites may offer pirated or illegally obtained copies of copyrighted material. Engaging in such activities not only violates copyright laws but also undermines the efforts of authors, publishers, and researchers. To ensure ethical downloading, it is advisable to utilize reputable websites that prioritize the legal distribution of content. When downloading Circuit Analysis And Design Chapter 2 , users should also consider the potential security risks associated with online platforms. Malicious actors may exploit vulnerabilities in unprotected websites to distribute malware or steal personal information. To protect themselves, individuals should ensure their devices have reliable antivirus software installed and validate the legitimacy of the websites they are downloading from.

In conclusion, the ability to download Circuit Analysis And Design Chapter 2 has transformed the way we access information. With the convenience, cost-effectiveness, and accessibility it offers, free PDF downloads have become a popular choice for students, researchers, and book lovers worldwide. However, it is crucial to engage in ethical downloading practices and prioritize personal security when utilizing online platforms. By doing so, individuals can make the most of the vast array of free PDF resources available and embark on a journey of continuous learning and intellectual growth.

FAQs About Circuit Analysis And Design Chapter 2 Books

What is a Circuit Analysis And Design Chapter 2 PDF? A PDF (Portable Document Format) is a file format developed by Adobe that preserves the layout and formatting of a document, regardless of the software, hardware, or operating system used to view or print it. **How do I create a Circuit Analysis And Design Chapter 2 PDF?** There are several ways to create a PDF: Use software like Adobe Acrobat, Microsoft Word, or Google Docs, which often have built-in PDF creation tools. Print to PDF: Many applications and operating systems have a "Print to PDF" option that allows you to save a document as a PDF file instead of printing it on paper. Online converters: There are various online tools that can convert different file types to PDF. **How do I edit a Circuit Analysis And Design Chapter 2 PDF?** Editing a PDF can be done with software like Adobe Acrobat, which allows direct editing of text, images, and other elements within the PDF. Some free tools, like PDFescape or Smallpdf, also offer basic editing capabilities. **How do I convert a Circuit Analysis And Design Chapter 2 PDF to another file format?** There are multiple ways to convert a PDF to another format: Use online converters like Smallpdf, Zamzar, or Adobe Acrobats export feature to convert PDFs to formats like Word, Excel, JPEG, etc. Software like Adobe Acrobat, Microsoft Word, or other PDF editors may have options to export or save PDFs in different formats. **How do I password-protect a Circuit Analysis And Design Chapter 2 PDF?** Most PDF editing software allows you to add password protection. In Adobe Acrobat, for instance, you can go to "File" -> "Properties" -> "Security" to set a password to restrict access or editing capabilities. Are there any free alternatives to Adobe Acrobat for working with PDFs? Yes, there are many free alternatives for working with PDFs, such as: LibreOffice: Offers PDF editing features. PDFsam: Allows splitting, merging, and editing PDFs. Foxit Reader: Provides basic PDF viewing and editing capabilities. How do I compress a PDF file? You can use online tools like Smallpdf, ILovePDF, or desktop software like Adobe Acrobat to compress PDF files without significant quality loss. Compression reduces the file size, making it easier to share and download. Can I fill out forms in a PDF file? Yes, most PDF viewers/editors like Adobe Acrobat, Preview (on Mac), or various online tools allow you to fill out forms in PDF files by selecting text fields and entering information. Are there any restrictions when working with PDFs? Some PDFs might have restrictions set by their creator, such as password protection, editing restrictions, or print

restrictions. Breaking these restrictions might require specific software or tools, which may or may not be legal depending on the circumstances and local laws.

Find Circuit Analysis And Design Chapter 2 :

[for startups 6-969](#) [travel tips case study for small business 6-722](#)
entrepreneurs 6-1718 **blockchain development apps for startups 6-1889**
tips for entrepreneurs 6-2764 **startup funding tools United States 6-2454**
[roadmap USA 6-503](#) [cloud computing roadmap United States 6-970](#) [cloud creators 6-556](#) [mobile app ideas case study United States 6-1506](#) [mobile minimalist lifestyle tools United States 6-2417](#) [minimalist lifestyle beginners USA 6-609](#) [business automation for beginners United States routines examples for entrepreneurs 6-30](#) [fitness routines explained study for entrepreneurs 6-2721](#) [crypto trading checklist USA 6-1384](#) [passive income ideas case study America 6-202](#) [passive income ideas case 6-2085](#) [online privacy checklist USA 6-2318](#) [online privacy checklist for United States 6-1123](#) [electric vehicles software for entrepreneurs 6-1290](#) [software for creators 6-325](#) [weight loss step by step for creators 6-506](#)
guide for entrepreneurs 6-2117 **VPN services ideas for entrepreneurs 6-2918** **personal finance examples USA 6-293** **personal finance for**

Circuit Analysis And Design Chapter 2 :

[andere machen das beruflich die bundschuhs bd 4 weltbild - Oct 12 2022](#)
web mar 1 2021 andere machen das beruflich die bundschuhs 4 inhalt als ich die tür zum klassenzimmer öffnete kreischten und schrien meine schüler als ginge es um
andere machen das beruflich die bundschuhs 4 roman - Nov 13 2022
web andrea sawatzki hat mit andere machen das beruflich einen wahnsinnig witzigen roman vorgelegt der den leser wieder mitnimmt in die welt der chaotischen familie
andere machen das beruflich d buchrezension - Dec 14 2022
web andere machen das beruflich andrea sawatzkis neuer bestseller um familie bundschuh das buch zur zdf verfilmung mit

andrea sawatzki und axel milberg

andere machen das beruflich lesejury - Mar 17 2023

web andere machen das beruflich die bundschuhs 4 roman sawatzki andrea amazon com tr kitap

andere machen das beruflich die bundschuhs 4 roman - Jul 09 2022

web andrea sawatzki hat mit andere machen das beruflich einen wahnsinnig witzigen roman vorgelegt der den leser wieder mitnimmt in die welt der chaotischen familie

andere machen das beruflich von andrea sawatzki - Feb 16 2023

web bewertung zu andere machen das beruflich die bundschuhs 4 roman geschrieben von sawatzki andrea lies über die handlung des werks und gedanken zu diesem

andere machen das beruflich die bundschuhs 4 6 cds - Dec 02 2021

andere machen das beruflich von andrea sawatzki piper - Aug 10 2022

web andere machen das beruflich die bundschuhs 4 roman finden sie alle bücher von sawatzki andrea bei der büchersuchmaschine eurobuch com können sie

andere machen das beruflich die bundschuhs bd 4 epub - Mar 05 2022

web oct 1 2019 andere machen das beruflich roman die bundschuhs band 4 von andrea sawatzki broschiert bei medimops de bestellen gebraucht günstig kaufen

andere machen das beruflich roman lovelybooks - May 19 2023

web mit ihrer weihnachtskomödie tief durchatmen die familie kommt erfand andrea sawatzki die bundschuhs die zu einer der bekanntesten buch und fernsehfamilien

9783492060899 andere machen das beruflich die bundschuhs - Jun 08 2022

web schon mit den anderen büchern der bundschuh reihe feierte sie große erfolge die dazugehörigen zdf filme in denen sie zusammen mit axel milberg die hauptrolle

andere machen das beruflich die bundschuhs bd 4 weltbild - Sep 11 2022

web andere machen das beruflich die bundschuhs 4 roman sawatzki andrea amazon de books

andere machen das beruflich die bundschuhs 4 roman - Jan 15 2023

web andere machen das beruflich die bundschuhs 4 roman german edition ebook sawatzki andrea amazon co uk kindle store *die bundschuhs andere machen das beruflich roman* - Apr 06 2022

web find helpful customer reviews and review ratings for andere machen das beruflich die bundschuhs 4 roman german edition at amazon com read honest and unbiased

andere machen das beruflich die bundschuhs 4 roman - Nov 01 2021

amazon com customer reviews andere machen das beruflich - Feb 04 2022

web mit ihrer weihnachtskomödie tief durchatmen die familie kommt erfand andrea sawatzki die bundschuhs die zu einer der bekanntesten buch und fernsehfamilien

andere machen das beruflich die bundschuhs 4 roman - Apr 18 2023

web oct 1 2019 andrea sawatzki hat mit andere machen das beruflich einen wahnsinnig witzigen roman vorgelegt der den leser wieder mitnimmt in die welt der chaotischen

andere machen das beruflich die bundschuhs 4 roman ebook - Jun 20 2023

web mit ihrer weihnachtskomödie tief durchatmen die familie kommt erfand andrea sawatzki die bundschuhs die zu einer der bekanntesten buch und fernsehfamilien

andere machen das beruflich die bundschuhs 4 roman - Jul 21 2023

web andere machen das beruflich die bundschuhs 4 roman sawatzki andrea isbn 9783492316859 kostenloser versand für alle bücher mit versand und verkauf duch

andere machen das beruflich die bundschuhs bd 4 bücher de - May 07 2022

web sofort verfügbar als ebook bei weltbild de herunterladen bequem mit ihrem tablet oder ebook reader lesen andere machen das beruflich die bundschuhs bd 4 von

andere machen das beruflich roman die bundschuhs band 4 - Jan 03 2022

web andere machen das beruflich die bundschuhs 4 roman sawatzki andrea amazon de books

andere machen das beruflich die bundschuhs 4 roman - Aug 22 2023

web von so viel humor wie in andere machen das beruflich bekommt man den schlimmsten lachmuskelkater im leserleben hier werden herz und zwerchfell bewegt

rccg schools sod - Feb 15 2023

web the school of disciples which started in 1985 is coordinated by the training bureau of the redeemed christian church of god it is a school where christians of all denominations learn how to be true and genuine disciples of jesus christ how to study to show oneself approved unto god sod admission info bible college information coming soon

online courses crm school of disciples - Oct 23 2023

web join this community to understand more about the school of disciples courses how to enroll and our centres read more the school of disciples which started in 1985 is co ordinated by the christ the redeemer s ministries an evangelical arm of the redeemed christian church of god

admission sod - Nov 12 2022

web the school of disciples which started in 1985 is co ordinated by the training bureau of the redeemed christian church of god it is a school where christians of all denominations learn how to be true and genuine disciples of jesus christ how to study to show oneself approved unto god admission information

registration for rccg sod class of 2024 is open the rccg school - Jan 14 2023

web the rccg school of disciples is inviting you to join the 2024 set of discipleship class for registration and enquiries kindly email sodreg20 gmail com or call the numbers seen on the video

rccg registration sod - Feb 03 2022

web all registered students are required to pay three hundred and fifty dollars 350 only which covers registration school fees and lecture notes modes of payment 1 send cheques address to rccg school of discipleship 2 email money by interac to sod rccgcalgarysw org

rccg school of disciple facebook - Jun 07 2022

web rccg school of disciple 238 likes 1 talking about this community

online courses crm school of disciples - May 18 2023

web the school of disciples which started in 1985 is co ordinated by the christ the redeemer s ministries an evangelical arm of the redeemed christian church of god it is a school where christians of all denominations learn how to be a true and genuine disciples of jesus christ how to study to show oneself approved unto god

the journey school of disciples - Dec 13 2022

web it is a school where christians of all denominations learn how to become genuine disciples of jesus christ and how to study to show oneself approved unto god address 3 5 bradbury place belfast

the school of disciples sod redeemed christian - Aug 21 2023

web the school of disciples sod was started in 1985 and is coordinated by the training bureau of the redeemed christian church of god rccg christians of all denominations learn how to be true and genuine disciples of jesus christ by studying to show themselves approved of god

rccg school of discipleship manual pdf churchgists com - Aug 09 2022

web jul 28 2022 the rccg school of discipleship manual is a document that provides practical training for the members of rccg the manual contains information about how to become a member of the church and it also teaches readers about the importance of being faithful to god and living as a disciple

rccg the redeemed christian church of god asia - Dec 01 2021

web jan 31 2013 rccg the redeemed christian church of god asia pacific singapore unique entity number t13ss0018k issued

by the registry of societies a unit under the ministry of home affairs rccg the redeemed christian church of god asia pacific singapore the society is a societies registered on 31

[school of disciples sod rccg eswatini](#) - Sep 10 2022

web the school of disciples sod was started in 1985 and is coordinated by the training bureau of the redeemed christian church of god rccg christians of all denominations learn how to be true and genuine disciples of jesus christ by studying to show themselves approved of god

rccg school of disciples sod - Jul 20 2023

web the school of disciples is a mandatory one year program examinations candidate take examinations in the following year for every year attended there are both multiple choice and theory examinations graduation graduation takes place at the rccg national convention after successful completion of the entire program

[rccg prince of peace tabernacle rccgna school of disciples](#) - Jun 19 2023

web of disciples the school of disciples sod is a vision of the rccg general overseer pastor e a adeboye and pastor mrs folu adeboye it was started on january 25 1985 and it is coordinated by the training bureau of the redeemed christian church of god

home school of disciples - Sep 22 2023

web school of disciples raising disciples equipping the local church the journey enrol now discipleship is not an event or a program but a transformational journey of becoming like christ rccg school of disciples uk christ discipleship explored recent blog posts

[rccg school of discipleship anthem youtube](#) - May 06 2022

web jun 20 2022 rccg school of discipleship anthem the redeemed christian church of god school of discipleship anthem this was presented at the 2021 sod convention by our mummy and da the redeemed christian

redeemed christian church of god wikipedia - Jan 02 2022

web seminaries redeemed christian bible college official website rccg org the redeemed christian church of god rccg is a pentecostal megachurch and denomination in lagos nigeria enoch adeboye has been the general overseer most senior pastor since 1981 the church in lagos had an average church attendance of

school of disciples rccg australia region - Jul 08 2022

web school of disciples this is the intensive discipleship training arm of the church that was established in 1985 with the following objectives to produce disciples who would do the works of jesus to train dynamic soldiers of the cross for this end time warfare

school of disciples rccg national headquarters - Mar 16 2023

web the school of disciples which started in 1985 is co ordinated by the training bureau of the redeemed christian church of god it is a school where christians of all denominations learn how to be true and genuine disciples of jesus christ how to study to show oneself approved unto god

[about rccg rccg news](#) - Mar 04 2022

web the rccg runs bible colleges and school of disciples headquartered in nigeria with many campuses in the uk europe middle east qatar and a few other continents pastors seed family psf there is a relatively new movement in the rccg called the pastors seed family psf

school of disciples rhema sanctuary winnipeg - Apr 05 2022

web school of disciples rccg school of disciples sod started in 1985 and is coordinated by the training bureau of the redeemed christian church of god rccg

rccg the official website of the redeemed christian - Oct 11 2022

web to share the testimony of what god did for you during any of our programs kindly click here so it can be added to the online testimonies during the next holyghost service click here acknowledge all your sins acts 2 36 38 confess those sins galatians 5 19 21 ask for forgiveness of sin i john 1 9 repent of those sins

school of disciples youtube - Apr 17 2023

web 370 views videos play all the school of disciples is coordinated by the training bureau of rccg one of the fastest growing church movements headed by a visionary leader a faithful church

[are you there alone the unspeakable crime of andrea yates goodreads](#) - Jun 13 2023

web are you there alone is a true crime book written by journalist suzanne o malley and covers the horrendous deliberate drowning of five young children at the hands of their own mother andrea yates on june 20th 2001

are you there alone the unspeakable crime of andr - Apr 30 2022

web yeah reviewing a books are you there alone the unspeakable crime of andr could go to your near friends listings this is just one of the solutions for you to be successful as understood ability does not recommend that you have fantastic points comprehending as well as contract even more than extra will provide each success next door to

[are you there alone the unspeakable crime of andrea yates](#) - Jul 14 2023

web jan 12 2004 o malley brings dignity to the true crime genre with are you there alone through her in depth research interviews and personal correspondence o malley exposes the history of yates s mental illness attempted

are you there alone the unspeakable crime of andr - Jul 02 2022

web 4 are you there alone the unspeakable crime of andr 2020 04 02 decades putney is a bold thought provoking novel about the moral lines we tread the stories we tell ourselves and the memories that play themselves out again and again like

snatches of song god are you there pilot productions

are you there alone the unspeakable crime of andrea yates - Mar 10 2023

web publication date 2004 topics yates andrea yates andrea yates andrea infanticide filicide women murderers trials murder postpartum psychiatric disorders homicide puerperal disorders psychotic disorders filicide infanticide postpartum psychiatric disorders trials murder women murderers publisher

are you there alone the unspeakable crime of andr pdf - Oct 05 2022

web this is likewise one of the factors by obtaining the soft documents of this are you there alone the unspeakable crime of andr by online you might not require more grow old to spend to go to the book commencement as without difficulty as search for them in some cases you likewise accomplish not discover the message are you there alone the

are you there alone the unspeakable crime of andr - Feb 26 2022

web aug 1 2023 merely said the are you there alone the unspeakable crime of andr is universally compatible like any devices to read unspeakable sandra brown 2013 06 25 a drifter working as a ranch hand in east texas must protect a widow and her young son from the ruthless criminal who is determined to destroy them carl herbold is a cold blooded

are you there alone the unspeakable crime of andrea yates - Jan 08 2023

web jan 1 1994 are you there alone by investigative reporter suzanne o malley is a well written comprehensive look at the andrea yates case i remember when yates murdered her 5 children but did not read this book until 14 years later so the facts of the case were mostly unknown to me therefore i found the book to be fascinating and well

are you there alone the unspeakable crime of andrea yates - Feb 09 2023

web buy are you there alone the unspeakable crime of andrea yates by online on amazon ae at best prices fast and free shipping free returns cash on delivery available on eligible purchase

are you there alone the unspeakable crime of andrea yates - Apr 11 2023

web feb 2 2004 this updated edition of are you there alone features a new chapter on the appeal of the yates case as well as personal updates on both andrea and rusty yates having drawn upon hundreds of interviews with expert witnesses close friends family advisers and andrea and rusty themselves o malley has produced a riveting true

are you there alone the unspeakable crime of andr pdf - Jun 01 2022

web are you there alone the unspeakable crime of andr 1 11 downloaded from uniport edu ng on august 1 2023 by guest are you there alone the unspeakable crime of andr recognizing the showing off ways to get this book are you there alone the unspeakable crime of andr is additionally useful you have remained in right

the unspeakable crime of andrea yates are you there alone - May 12 2023

web topics yates andrea infanticide texas houston filicide texas houston women murderers texas houston trials murder texas

harris county postpartum psychiatric disorders texas houston

are you there alone the unspeakable crime of andr - Dec 07 2022

web it is your extremely own era to undertaking reviewing habit in the middle of guides you could enjoy now is are you there alone the unspeakable crime of andr below are you there alone suzanne o malley 2004 02 02 in the tradition of in cold blood the executioner s song and a civil action suzanne o malley exposes the human mystery

are you there alone the unspeakable crime of andr - Sep 04 2022

web unspeakable crime of andr is additionally useful you have remained in right site to start getting this info acquire the are you there alone the unspeakable crime of andr join that we have the funds for here and check out the link you could buy guide are you there alone the unspeakable crime of andr or acquire it as soon as feasible you

are you there alone the unspeakable crime of andrea yates - Jan 28 2022

web feb 2 2004 in the tradition of in cold blood the executioner s song and a civil action suzanne o malley exposes the human mystery of the most horrifying crime in recent history and the legal drama surrounding it as a journalist suzanne o malley began covering the murders of noah john paul luke and mary yates hours after their mother andrea yates

are you there alone the unspeakable crime of andr scott - Dec 27 2021

web of andr next it is not directly done you could take even more something like this life approaching the world we pay for you this proper as capably as simple quirk to acquire those all we come up with the money for are you there alone the unspeakable crime of andr and numerous books collections from fictions to

are you there alone the unspeakable crime of andr - Mar 30 2022

web are you there alone the unspeakable crime of andr alone deenie how to be alone god are you there you are not alone you get so alone at times texas christmas defender are you there god it s me margaret we the jury are you alone on purpose is there a book inside you when we were alone are you there god it s me

are you there alone the unspeakable crime of andr pdf - Aug 03 2022

web are you there alone the unspeakable crime of andr oh the places you ll go no one gets there alone are you there god it s me margaret the loop de loop zigzagging journey to adulthood the day you begin a novel sins of the mother what a time to be alone a novel are you there vodka it s me chelsea are you there alone on

are you there alone the unspeakable crime of andrea yates - Aug 15 2023

web may 24 2005 the unspeakable crime of andrea yates mass market paperback may 24 2005 an investigative reporter offers a portrait of andrea yates and her drowning of her five young children incorporating the information from more than two hundred interviews to reveal the inner workings of the case

are you there alone the unspeakable crime of andr leonard - Nov 06 2022

web are you there alone the unspeakable crime of andr but end up in infectious downloads rather than enjoying a good book with a cup of coffee in the afternoon instead they are facing with some malicious virus inside their laptop are you there alone the unspeakable crime of andr is available in our book collection an online access to it is