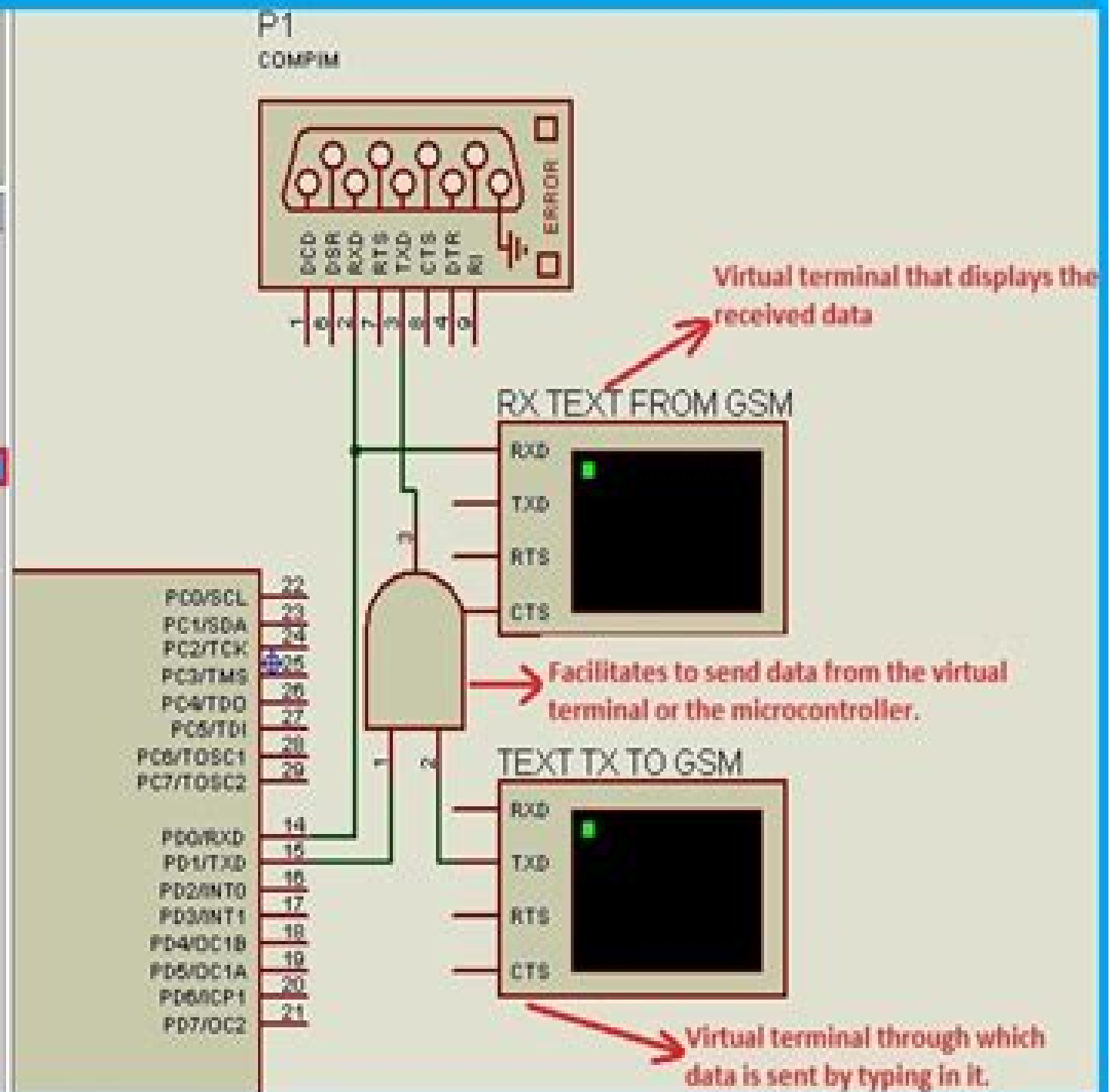


The screenshot shows the Proteus software interface. On the left is a toolbar with various icons. Below it is a component library window with a 'PL DEVICES' tab. The list of components includes: 3WATT10K, 4071, 4072, 4081, ATMEGA16, ATMEGA32, AVX0400NPO22P, BUTTON, **COMPIM** (highlighted in blue), CRYSTAL, LM044L, [4071], [4072], and [4081]. A red box highlights the 'Virtual terminal' icon in the toolbar, with a red arrow pointing to it and the text 'Virtual terminal is in this tab'.



Interfacing Gsm Module Using Proteus Simulation Software

**Milind Shrinivas Dangate,W. S.
Sampath,O. V. Gnana
Swathika,Sanjeevikumar Padmanaban**

Interfacing Gsm Module Using Proteus Simulation Software:

Mobile Computing Techniques in Emerging Markets: Systems, Applications and Services Kumar, A.V. Senthil,Rahman, Hakikur,2012-01-31 This book provides the latest research and best practices in the field of mobile computing offering theoretical and pragmatic viewpoints on mobile computing Provided by publisher

Integrated Green Energy Solutions, Volume 1 Milind Shrinivas Dangate,W. S. Sampath,O. V. Gnana Swathika,Sanjeevikumar Padmanaban,2023-05-12

INTEGRATED GREEN ENERGY SOLUTIONS This first volume in a two volume set presents the state of the art for the concepts practical applications and future of renewable energy and how to move closer to true sustainability Renewable energy supplies are of ever increasing environmental and economic importance in every country worldwide A wide range of renewable energy technologies has been established commercially and recognized as an important set of growth industries for most governments World agencies including the United Nations have extensive programs to encourage these emerging technologies This book will bridge the gap between descriptive reviews and specialized engineering technologies It centers on demonstrating how fundamental physical processes govern renewable energy resources and their applications Although the applications are updated continually the fundamental principles remain the same and this book will provide a useful platform for those advancing the subject and its industries Integrated Resilient Energy Solutions is a two volume set covering subjects of proven technical and economic importance worldwide Energy supply from renewables is an essential component of every nation s strategy especially when there is responsibility for the environment and sustainability These two volumes will consider the timeless renewable energy technologies principles yet demonstrate modern applications and case studies Whether for the veteran engineer student or other professional these two volumes are a must have for any library

Advances of Science and Technology Mulatu Liyew Berihun,2022-01-01 This two volume set of LNICST 411 and 412 constitutes the refereed post conference proceedings of the 9th International Conference on Advancement of Science and Technology ICAST 2021 which took place in August 2021 Due to COVID 19 pandemic the conference was held virtually The 80 revised full papers were carefully reviewed and selected from 202 submissions The papers present economic and technologic developments in modern societies in 7 tracks Chemical Food and Bioprocess Engineering Electrical and Electronics Engineering ICT Software and Hardware Engineering Civil Water Resources and Environmental Engineering ICT Mechanical and Industrial Engineering Material Science and Engineering Energy Science Engineering and Policy

Advanced Computational Paradigms and Hybrid Intelligent Computing Tapan Kumar Gandhi,Debanjan Konar,Biswaraj Sen,Kalpna Sharma,2021-12-06 This book presents high quality peer reviewed papers from the Third International Conference on Advanced Computational and Communication Paradigms ICACCP 2021 organized by Department of Computer Science and Engineering CSE Sikkim Manipal Institute of Technology SMIT Sikkim India during 22 24 March 2021 ICACCP 2021 covers an advanced computational paradigms and communications technique which provides failsafe and robust

solutions to the emerging problems faced by mankind Technologists scientists industry professionals and research scholars from regional national and international levels are invited to present their original unpublished work in this conference

Green Internet of Things Sensor Networks Adamu Murtala Zungeru, Joseph M. Chuma, Caspar K. Lebekwe, Pendukeni Phalaagae, Jwaone Gaboitaolelwe, 2020-10-14 This book presents methods for advancing green IoT sensor networks and IoT devices Three main methods presented are a standalone system to support IoT devices that is informed by the amount of energy the solar array system can produce a model of securing a building's main power supply against unauthorized use and security of the IoT devices and their networks For each the authors outline the methods presents security and privacy issues and their solutions The work suggests a layered approach to expose security issues and challenges at each layer of the IoT architecture and proposes techniques used to mitigate these challenges Finally perspectives are drawn and discussed for future directions in securing IoT sensor networks covering evolving areas such as artificial intelligence blockchain

technology sensor Internet of People context aware sensing cloud infrastructure security and privacy and the Internet of Everything

Information and Communication Technology and Applications Sanjay Misra, Bilkisu Muhammad-Bello, 2021-02-13 This book constitutes revised selected papers from the Third International Conference on Information and Communication Technology and Applications ICTA 2020 held in Minna Nigeria in November 2020 Due to the COVID 19 pandemic the conference was held online The 67 full papers were carefully reviewed and selected from 234 submissions The papers are organized in the topical sections on Artificial Intelligence Big Data and Machine Learning Information Security Privacy and Trust Information Science and Technology

Virtual and Mobile Healthcare: Breakthroughs in Research and Practice Management Association, Information Resources, 2019-09-06 One of the primary topics at the center of discussion and very often debate between industry professionals government officials and the general public is the current healthcare system and the potential for an overhaul of its processes and services Many organizations concerned for the long term care of patients wish to see new strategies practices and organizational tools developed to optimize healthcare systems all over the world One of the central engines of the current shift toward reorientation of healthcare services is virtual and mobile healthcare Virtual and Mobile Healthcare Breakthroughs in Research and Practice explores the trends challenges and issues related to the emergence of mobile and virtual healthcare The book also examines how mobile technologies can best be used for the benefit of both doctors and their patients Highlighting a range of topics such as smart healthcare electronic health records and m health this publication is an ideal reference source for medical professionals healthcare administrators doctors nurses practitioners and researchers in all areas of the medical field

Interfacing PIC Microcontrollers Martin Bates, 2006 This book is an essential guide to PIC interfacing techniques using circuit simulation to aid learning Features explore in detail microcontroller interfacing techniques using the popular PIC 16F877 work through step by step examples interactively using circuit simulation software

supplied as assembly source code gain the knowledge of a wide range of peripheral devices such as keyboards displays sensors and drives and serial communication with other processors memory and more use interactive simulation software to design and test circuits Interfacing PIC microcontrollers provides a thorough introduction to interfacing techniques for students hobbyists and engineers looking to take their knowledge of PIC application development to the next level Each chapter ends with suggestions for further applications based on the examples given and numerous line drawings illustrate application of the hardware back cover Interfacing PIC Microcontrollers, 2nd Edition Martin Bates,2013 Interfacing PIC Microcontrollers 2nd Edition is a great introductory text for those starting out in this field and as a source reference for more experienced engineers Martin Bates has drawn upon 20 years of experience of teaching microprocessor systems to produce a book containing an excellent balance of theory and practice with numerous working examples throughout It provides comprehensive coverage of basic microcontroller system interfacing using the latest interactive software Proteus VSM which allows real time simulation of microcontroller based designs and supports the development of new applications from initial concept to final testing and deployment Comprehensive introduction to interfacing 8 bit PIC microcontrollers Designs updated for current software versions MPLAB v8 Proteus VSM v8 Additional applications in wireless communications intelligent sensors and more

Decoding **Interfacing Gsm Module Using Proteus Simulation Software**: Revealing the Captivating Potential of Verbal Expression

In a time characterized by interconnectedness and an insatiable thirst for knowledge, the captivating potential of verbal expression has emerged as a formidable force. Its capability to evoke sentiments, stimulate introspection, and incite profound transformations is genuinely awe-inspiring. Within the pages of "**Interfacing Gsm Module Using Proteus Simulation Software**," a mesmerizing literary creation penned by a celebrated wordsmith, readers embark on an enlightening odyssey, unraveling the intricate significance of language and its enduring affect our lives. In this appraisal, we shall explore the book is central themes, evaluate its distinctive writing style, and gauge its pervasive influence on the hearts and minds of its readership.

<https://py.bijouxmedusa.com/files/Resources/Documents/Jobs%20Guide%20For%20Startups%2040%201852%20Remote%20Jobs%20Ideas%20For%20Entrepreneurs.pdf>

Table of Contents Interfacing Gsm Module Using Proteus Simulation Software

1. Understanding the eBook Interfacing Gsm Module Using Proteus Simulation Software
 - The Rise of Digital Reading Interfacing Gsm Module Using Proteus Simulation Software
 - Advantages of eBooks Over Traditional Books
2. Identifying Interfacing Gsm Module Using Proteus Simulation Software
 - Exploring Different Genres
 - Considering Fiction vs. Non-Fiction
 - Determining Your Reading Goals
3. Choosing the Right eBook Platform
 - Popular eBook Platforms
 - Features to Look for in an Interfacing Gsm Module Using Proteus Simulation Software
 - User-Friendly Interface
4. Exploring eBook Recommendations from Interfacing Gsm Module Using Proteus Simulation Software

- Personalized Recommendations
 - Interfacing Gsm Module Using Proteus Simulation Software User Reviews and Ratings
 - Interfacing Gsm Module Using Proteus Simulation Software and Bestseller Lists
5. Accessing Interfacing Gsm Module Using Proteus Simulation Software Free and Paid eBooks
 - Interfacing Gsm Module Using Proteus Simulation Software Public Domain eBooks
 - Interfacing Gsm Module Using Proteus Simulation Software eBook Subscription Services
 - Interfacing Gsm Module Using Proteus Simulation Software Budget-Friendly Options
 6. Navigating Interfacing Gsm Module Using Proteus Simulation Software eBook Formats
 - ePub, PDF, MOBI, and More
 - Interfacing Gsm Module Using Proteus Simulation Software Compatibility with Devices
 - Interfacing Gsm Module Using Proteus Simulation Software Enhanced eBook Features
 7. Enhancing Your Reading Experience
 - Adjustable Fonts and Text Sizes of Interfacing Gsm Module Using Proteus Simulation Software
 - Highlighting and Note-Taking Interfacing Gsm Module Using Proteus Simulation Software
 - Interactive Elements Interfacing Gsm Module Using Proteus Simulation Software
 8. Staying Engaged with Interfacing Gsm Module Using Proteus Simulation Software
 - Joining Online Reading Communities
 - Participating in Virtual Book Clubs
 - Following Authors and Publishers Interfacing Gsm Module Using Proteus Simulation Software
 9. Balancing eBooks and Physical Books Interfacing Gsm Module Using Proteus Simulation Software
 - Benefits of a Digital Library
 - Creating a Diverse Reading Collection Interfacing Gsm Module Using Proteus Simulation Software
 10. Overcoming Reading Challenges
 - Dealing with Digital Eye Strain
 - Minimizing Distractions
 - Managing Screen Time
 11. Cultivating a Reading Routine Interfacing Gsm Module Using Proteus Simulation Software
 - Setting Reading Goals Interfacing Gsm Module Using Proteus Simulation Software
 - Carving Out Dedicated Reading Time
 12. Sourcing Reliable Information of Interfacing Gsm Module Using Proteus Simulation Software

- Fact-Checking eBook Content of Interfacing Gsm Module Using Proteus Simulation Software
 - Distinguishing Credible Sources
13. Promoting Lifelong Learning
- Utilizing eBooks for Skill Development
 - Exploring Educational eBooks
14. Embracing eBook Trends
- Integration of Multimedia Elements
 - Interactive and Gamified eBooks

Interfacing Gsm Module Using Proteus Simulation Software Introduction

Interfacing Gsm Module Using Proteus Simulation Software Offers over 60,000 free eBooks, including many classics that are in the public domain. Open Library: Provides access to over 1 million free eBooks, including classic literature and contemporary works. Interfacing Gsm Module Using Proteus Simulation Software Offers a vast collection of books, some of which are available for free as PDF downloads, particularly older books in the public domain. Interfacing Gsm Module Using Proteus Simulation Software : This website hosts a vast collection of scientific articles, books, and textbooks. While it operates in a legal gray area due to copyright issues, its a popular resource for finding various publications. Internet Archive for Interfacing Gsm Module Using Proteus Simulation Software : Has an extensive collection of digital content, including books, articles, videos, and more. It has a massive library of free downloadable books. Free-eBooks Interfacing Gsm Module Using Proteus Simulation Software Offers a diverse range of free eBooks across various genres. Interfacing Gsm Module Using Proteus Simulation Software Focuses mainly on educational books, textbooks, and business books. It offers free PDF downloads for educational purposes. Interfacing Gsm Module Using Proteus Simulation Software Provides a large selection of free eBooks in different genres, which are available for download in various formats, including PDF. Finding specific Interfacing Gsm Module Using Proteus Simulation Software, especially related to Interfacing Gsm Module Using Proteus Simulation Software, might be challenging as theyre often artistic creations rather than practical blueprints. However, you can explore the following steps to search for or create your own Online Searches: Look for websites, forums, or blogs dedicated to Interfacing Gsm Module Using Proteus Simulation Software, Sometimes enthusiasts share their designs or concepts in PDF format. Books and Magazines Some Interfacing Gsm Module Using Proteus Simulation Software books or magazines might include. Look for these in online stores or libraries. Remember that while Interfacing Gsm Module Using Proteus Simulation Software, sharing copyrighted material without permission is not legal. Always ensure youre either creating your own or obtaining them from legitimate sources that allow sharing and downloading. Library Check if your local

library offers eBook lending services. Many libraries have digital catalogs where you can borrow Interfacing Gsm Module Using Proteus Simulation Software eBooks for free, including popular titles. Online Retailers: Websites like Amazon, Google Books, or Apple Books often sell eBooks. Sometimes, authors or publishers offer promotions or free periods for certain books. Authors Website Occasionally, authors provide excerpts or short stories for free on their websites. While this might not be the Interfacing Gsm Module Using Proteus Simulation Software full book, it can give you a taste of the authors writing style. Subscription Services Platforms like Kindle Unlimited or Scribd offer subscription-based access to a wide range of Interfacing Gsm Module Using Proteus Simulation Software eBooks, including some popular titles.

FAQs About Interfacing Gsm Module Using Proteus Simulation Software Books

How do I know which eBook platform is the best for me? Finding the best eBook platform depends on your reading preferences and device compatibility. Research different platforms, read user reviews, and explore their features before making a choice. Are free eBooks of good quality? Yes, many reputable platforms offer high-quality free eBooks, including classics and public domain works. However, make sure to verify the source to ensure the eBook credibility. Can I read eBooks without an eReader? Absolutely! Most eBook platforms offer webbased readers or mobile apps that allow you to read eBooks on your computer, tablet, or smartphone. How do I avoid digital eye strain while reading eBooks? To prevent digital eye strain, take regular breaks, adjust the font size and background color, and ensure proper lighting while reading eBooks. What the advantage of interactive eBooks? Interactive eBooks incorporate multimedia elements, quizzes, and activities, enhancing the reader engagement and providing a more immersive learning experience. Interfacing Gsm Module Using Proteus Simulation Software is one of the best book in our library for free trial. We provide copy of Interfacing Gsm Module Using Proteus Simulation Software in digital format, so the resources that you find are reliable. There are also many Ebooks of related with Interfacing Gsm Module Using Proteus Simulation Software. Where to download Interfacing Gsm Module Using Proteus Simulation Software online for free? Are you looking for Interfacing Gsm Module Using Proteus Simulation Software PDF? This is definitely going to save you time and cash in something you should think about. If you trying to find then search around for online. Without a doubt there are numerous these available and many of them have the freedom. However without doubt you receive whatever you purchase. An alternate way to get ideas is always to check another Interfacing Gsm Module Using Proteus Simulation Software. This method for see exactly what may be included and adopt these ideas to your book. This site will almost certainly help you save time and effort, money and stress. If you are looking for free books then you really should consider finding to assist you try this. Several of Interfacing Gsm Module Using Proteus Simulation Software are for sale to free while some are payable. If you arent sure if the books you would like to download

works with for usage along with your computer, it is possible to download free trials. The free guides make it easy for someone to free access online library for download books to your device. You can get free download on free trial for lots of books categories. Our library is the biggest of these that have literally hundreds of thousands of different products categories represented. You will also see that there are specific sites catered to different product types or categories, brands or niches related with Interfacing Gsm Module Using Proteus Simulation Software. So depending on what exactly you are searching, you will be able to choose e books to suit your own need. Need to access completely for Campbell Biology Seventh Edition book? Access Ebook without any digging. And by having access to our ebook online or by storing it on your computer, you have convenient answers with Interfacing Gsm Module Using Proteus Simulation Software To get started finding Interfacing Gsm Module Using Proteus Simulation Software, you are right to find our website which has a comprehensive collection of books online. Our library is the biggest of these that have literally hundreds of thousands of different products represented. You will also see that there are specific sites catered to different categories or niches related with Interfacing Gsm Module Using Proteus Simulation Software So depending on what exactly you are searching, you will be able to choose ebook to suit your own need. Thank you for reading Interfacing Gsm Module Using Proteus Simulation Software. Maybe you have knowledge that, people have search numerous times for their favorite readings like this Interfacing Gsm Module Using Proteus Simulation Software, but end up in harmful downloads. Rather than reading a good book with a cup of coffee in the afternoon, instead they juggled with some harmful bugs inside their laptop. Interfacing Gsm Module Using Proteus Simulation Software is available in our book collection an online access to it is set as public so you can download it instantly. Our digital library spans in multiple locations, allowing you to get the most less latency time to download any of our books like this one. Merely said, Interfacing Gsm Module Using Proteus Simulation Software is universally compatible with any devices to read.

Find Interfacing Gsm Module Using Proteus Simulation Software :

**jobs guide for startups 40-1852 remote jobs ideas for entrepreneurs
strategies for startups 40-366 resume writing tools for small business
United States 40-1378 cloud computing review USA 40-234 cloud computing
startups 40-51 AI tools step by step for startups 40-2142 AI tools
business 40-78 TikTok marketing explained for startups 40-710 TikTok
40-2976 crypto investing examples America 40-2996 crypto investing
review USA 40-2027 mental wellness roadmap for entrepreneurs 40-1355
40-1369 personal finance for beginners for startups 40-2551 personal**

**startups 40-2109 crypto trading comparison for startups 40-229 crypto
40-1751 online business blueprint America 40-2839 online business
interview tips tutorial USA 40-2202 interview tips tutorial USA 40-450
for entrepreneurs 40-542 side hustles guide for creators 40-1696 side
40-2438 coding for beginners strategies for small business 40-1849
40-1276 resume writing trends for entrepreneurs 40-1180 resume writing
online business examples USA 40-1613 online business examples USA 40-167**

Interfacing Gsm Module Using Proteus Simulation Software :

[removing dunham lehr loader from farmall 504 yesterday s](#) - Aug 02 2022

web this farmhand single handle control valve is perfect for dunham lehr 22 loaders it comes with a detailed parts book in pdf format for easy download and reference with

[dunham lehr loaders yesterday s tractors](#) - Mar 09 2023

web dunham lehr loader manual pdf is to hand in our digital library an online admission to it is set as public fittingly you can download it instantly our digital library saves in complex

dunham lehr loader manual reports budgetbakers com - Jan 27 2022

farmhand series 2 22 loader dunham lehr 2c - Apr 10 2023

web farmhand dunham lehr products series 2 loader operators manual instructions and parts list free fast shipping orders before noon central time generally go out

[farmhand single handle control valve for dunham lehr 22](#) - Dec 26 2021

farmhand dunham lehr series 2 loader operators - Nov 05 2022

web feb 16 2018 browse a wide selection of new and used dunham lehr loaders other equipment for sale near you at tractorhouse com top models include 22

[farmhand dunham lehr series 2 loader operators](#) - Jan 07 2023

web jun 12 2017 removing dunham lehr loader from farmall 504 discussion in the farmall international harvester ihc forum at yesterday s tractors 800 853 2651 shop

farmhand na ag north america 09 2020 part - Feb 08 2023

web dunham lehr loader yesterday s tractors does anyone know of a source of replacement parts for a dunham lehr model 22

pins pivots on bucket and cylinder arms are getting

dunham lehr loader removal yesterday s tractors - Jul 01 2022

web this farmhand single handle control valve is perfect for dunham lehr 2 22 loaders this parts books pdf download includes detailed illustrations step by step instructions and

farmhand dunham lehr series 2 loader operators - May 11 2023

web dunham lehr loaders are now farmhand model 22 s they are available at some agco dealers i recently bought the brackets to mount a dunham lehr loader on a oliver

farmhand single handle control valve for dunham lehr 2 22 - Nov 24 2021

dunham lehr loader manual pdf download only - Oct 04 2022

web dunham lehr call for information on attachments for loader models not listed part number description direct pin on quick attach price code dl22 22 direct

dunham lehr loader yesterday s tractors - Sep 03 2022

web dunham lehr loader manual 1 dunham lehr loader manual they can t touch him now salad bar beef revolutionary atmosphere bridge design concrete as 5100 5

agco technical publications and manuals store - Aug 14 2023

web language english this product belongs to the following brand s dunham lehr farmhand part number 79018565 more detail farmhand material handling mounted

farmhand dunham lehr series 2 loader operators - Dec 06 2022

web jun 20 2023 right here we have countless book dunham lehr loader manual pdf and collections to check out we additionally manage to pay for variant types and furthermore

tractor quick attach conversion kit farmhand ask - Apr 29 2022

farmhand series 120 loader dunham lehr parts books pdf - Jun 12 2023

web this farmhand series 120 loader dunham lehr parts books pdf download manual contains detailed illustrations and step by step instructions to help you repair and

dunham lehr loaders other equipment for sale 4 listings - Mar 29 2022

hla attachments dunham lehr - Feb 25 2022

[dunham lehr loader manual pdf pdf](#) - May 31 2022

web this farmhand series 22 loader dunham lehr s n up to 26966 parts books pdf download manual is a must have for any diyer or professional mechanic it contains

farmhand series 22 loader dunham lehr s n up to 26966 - Oct 24 2021

need information on a durham lehr 120 loader tractor talk forum - Jul 13 2023

web jul 6 2020 i was trying to find them on the tractor i have the original owners manual but it only for the tractor i will look to see if it has the valve you mentioned it does have a rear

l anglais au colla ge la grammaire facile uniport edu - Oct 24 2021

l anglais au collège la grammaire facile fnac - Mar 09 2023

web la grammaire facile l anglais au collège la grammaire facile sandrine delamare potulny ophrys des milliers de livres avec la livraison chez vous en 1 jour ou en

l anglais au collège la grammaire facile decitre - Dec 06 2022

web exercices d anglais college nos meilleures pages sur ce thème sélectionnées par notre équipe 1 apprendre l anglais cours d anglais jeux exercices grammaire

[l anglais au collège la grammaire facile paperback](#) - Apr 10 2023

web la grammaire facile l anglais au collège la grammaire facile sandrine delamare potulny ophrys des milliers de livres avec la livraison chez vous en 1 jour ou en

collocation anglais apprendre l anglais - Jul 01 2022

web vous trouverez tous les détails de la grammaire anglaise dans les articles qui suivent retrouvez dans cette partie l ensemble des ressources écrites mises à votre disposition

l anglais au collège la grammaire facile goodreads - Jan 07 2023

web apr 1 2015 l anglais au collège la grammaire facile de sandrine delamare potulny Éditeur ophrys editions livraison gratuite à 0 01 dès 35 d achat librairie decitre

exercices d anglais college apprendre l anglais - Nov 05 2022

web fiches de grammaire prêtes à imprimer avec leçon rappel des règles exercice et corrigés le futur en anglais 6 cours leçons de grammaire anglaise some any no et

conjugaison anglais apprendre l anglais - May 31 2022

web la prononciation les lettres muettes accent de mots la vocabulaire faux amis grammaire chiffres fractions pourcentage

dates tableaux de conversion des unités

l anglais au college la grammaire facile gls - Mar 29 2022

web wilfrid rotgé 2015 06 17 en un seul volume tous les outils pour progresser en anglais au collège tout le programme du collège les points clés de grammaire le vocabulaire

anglais au collège la grammaire facile 6e 5e 4e 3e avec - May 11 2023

web l anglais au collège la grammaire facile on amazon com au free shipping on eligible orders l anglais au collège la grammaire facile

la grammaire anglaise au colla ge 2023 - Dec 26 2021

web jul 7 2023 la grammaire de l anglais au collège claudine martina 2000 un guide pédagogique permettant de conduire des activités de réflexion sur la langue et faisant

l anglais facile 33 cours pour progresser à l écrit l étudiant - Aug 02 2022

web plus de cours d exercices d anglais sur le même thème temps autres thèmes tests similaires bilan sur les temps du passé en anglais grand cours bilan sur les

l anglais au collège la grammaire facile amazon fr - Jun 12 2023

web may 5 2015 elle propose une méthode dynamique qui sollicite le collégien pour acquérir compréhension et savoir faire les cours sont clairs et complets des tableaux

grammaire anglaise 100 fiches pour réviser et s améliorer - Feb 25 2022

web la nouvelle édition du dictionnaire du collège pratique et complet ce dictionnaire est l outil idéal pour l apprentissage et la pratique de l anglais au collège il propose l essentiel de

l anglais au colla ge la grammaire facile pdf pdf devy ortax - Jan 27 2022

web jun 22 2023 l anglais au collège la grammaire facile by sandrine delamare potulny l anglais au collège la grammaire facile by sandrine delamare potulny your

l anglais au colla ge la grammaire facile copy - Sep 22 2021

apprendre l anglais cours - Oct 04 2022

web jun 28 2019 on ne peut pas espérer devenir fluent en anglais sans maîtriser les règles grammaticales de base pour préparer un examen ou pour rafraîchir vos connaissances

l anglais au collège la grammaire facile 6e 5e 4e - Aug 14 2023

web sandrine delamare potulny cette grammaire est le fruit d années d enseignement elle propose une méthode dynamique qui sollicite le collégien pour acquérir compréhension

grammaire anglaise les bases leçons complètes mosalingua - Apr 29 2022

web fiches de grammaire anglaise par catégorie voici l'essentiel de la grammaire anglaise à connaître pour améliorer votre niveau d'anglais chacune de nos fiches de grammaire

l'anglais au collège la grammaire facile 6e 5e 4e 3e ophrys - Jul 13 2023

web noté 5 retrouvez l'anglais au collège la grammaire facile et des millions de livres en stock sur amazon.fr achetez neuf ou d'occasion

l'anglais au collège la grammaire facile by sandrine - Nov 24 2021

web la nouvelle grammaire du français simple et complète propose aux apprenants de français langue étrangère des repères précis pour maîtriser l'expression écrite et orale

l'anglais au collège la grammaire facile livre fnac.com - Feb 08 2023

web cet ouvrage qui propose une méthode basée sur la mémoire visuelle contient l'essentiel des connaissances de l'anglais au collège la grammaire facile by sandrine delamare potulny

grammaire apprendre l'anglais - Sep 03 2022

web 11 everyone said the party was a success 12 if this rain continues i don't think we'll go to the beach fin de l'exercice d'anglais collocation un exercice d'anglais gratuit pour

administrative assistant test free practice questions 2023 - Oct 10 2022

web oct 28 2021 administrative assistant test free practice questions 2023 administrative support sample test office administrative assistant tests free

aama cma aama exam - Aug 28 2021

administrative assistant skill assessment quizack - Apr 04 2022

web what be an administrative assistant aptitude test traditional aptitude tests are often used to probe deeper into a candidate's skills and find where the strengths and

administrative assistant test free practice questions 2023 - Sep 28 2021

administrative assistant aptitude tests preparation - Dec 12 2022

web may 17 2021 prepare for office admin tests with 18 practice tests and 232 questions answers written via industry other conditions concerning of role include strong

administrative assistant test free practice questions 2023 - Sep 09 2022

web oct 28 2022 admin test 2023 study guide practice questions how to study and pass the admin test last updated on

october 28 2022 the admin test will

administrative assistant test free practice questions 2023 - Jun 18 2023

aptitude tests are designed to assess a range of skills depending on the test taken and to help employers determine who might be the see more

free administrative assistant assessment test guide test prep - May 05 2022

web this screening test will help you hire an administrative assistant who can increase the day to day efficiency and organization of your team s work covered skills verbal and

use our administrative assistant test to hire the best - Mar 03 2022

web the administrative assistant test helps in the recruitment of roles focused on administrative tasks because the nature of these roles is varied it could involve

administrative assistant skills assessment how to - May 17 2023

web applying to be an administrative assistant prepare since office admin tests with 18 practice tests and 232 questions answered written by experts

administrative assistant and support practice exam - Oct 30 2021

web cma aama exam about the exam exam eligibility requirements alternative pathway exam application steps apply for the exam psi exam scheduling study for the

free online administrative exam practice quiz - Jun 06 2022

web administrative assistant test mcqs with answers are research based practice test online to deal with any job interviews online assessments and it exams

administrative assistant test free practice questions 2023 - Feb 02 2022

web sep 5 2023 this quiz will test a few key skills which are important for the administrative assistant position available questions 46 attempts 566 last updated sep 5 2023

administrative assistant quizzes questions answers - Nov 30 2021

web 18 tests 210 questions administrative assistants can work in almost every industry making it an attractive rolling for a wide variety of people office administration

administrative assistant quiz online test yourself - Mar 15 2023

web may 17 2021 the administrative assistant exam scores candidates competency inbound attention to download basic excel spreadsheets time management written

administrative assistant test executive assistant test - Nov 11 2022

web may 17 2021 administrative assistant test free practice questions 2023 work samples and simulations company

administrative assistant tests clerical exercise

administrative assistant test free practice questions 2023 - Feb 14 2023

web an administrative assistant test is a type of examination that assesses an individual s ability to perform clerical duties associated with the role of an administrative assistant

[administrative assistant test free practice questions 2023](#) - Aug 08 2022

web free online administrative exam practice quiz comprehensive online success test study guide includes free practice exam with detailed answer key immediate

administrative assistant test testdome - Jul 19 2023

administrative assistants are required to support the smooth running of an office or a senior individual or team s diaries it s essential therefore that you re naturally organised if you want see more

administrative assistant test free practice - Aug 20 2023

traditional aptitude tests are often used to probe deeper into a candidate s skills and discover where their strengths and weaknesses lie in the case of administrative assistants psychometric tests are used to measure specific skills for example verbal reasoning tests for comprehension and communication see more

administrative assistant testlify - Apr 16 2023

web the pre recruitment test for administrative assistants measures the candidate s ability to assist with administrative tasks using effective communication

admin test 2023 study guide practice questions - Jul 07 2022

web this is a free guide for the administrative assistant assessment test gather information regarding your upcoming administrative assistant assessment test practice your

administration assistant skills assessment test vervo - Jan 13 2023

web administrative assistant test is designed to evaluate the critical skills required to perform well in the job from testing candidates general aptitude to testing candidates on

administrative assistant test find the best job candidates - Jan 01 2022

web an administrative assistant and support practice exam takes all the guesswork out of studying you see when it comes to an exam like the administrative assistant and