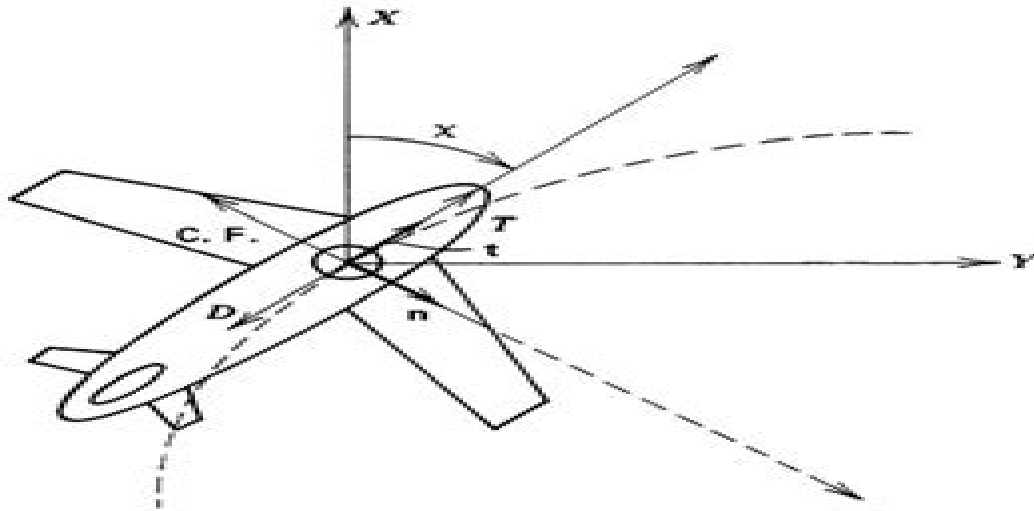


Introduction to Aircraft Performance, Selection, and Design



Francis J. Hale

Introduction To Aircraft Performance Selection And Design

Mohammad H. Sadraey



Introduction To Aircraft Performance Selection And Design:

This is likewise one of the factors by obtaining the soft documents of this **Introduction To Aircraft Performance Selection And Design** by online. You might not require more become old to spend to go to the ebook commencement as competently as search for them. In some cases, you likewise get not discover the pronouncement Introduction To Aircraft Performance Selection And Design that you are looking for. It will totally squander the time.

However below, subsequent to you visit this web page, it will be as a result agreed easy to acquire as without difficulty as download lead Introduction To Aircraft Performance Selection And Design

It will not endure many era as we explain before. You can pull off it though piece of legislation something else at house and even in your workplace. therefore easy! So, are you question? Just exercise just what we have the funds for under as without difficulty as review **Introduction To Aircraft Performance Selection And Design** what you in the manner of to read!

<https://py.bijouxmedusa.com/About/detail/fetch.php/the%20rising%20sun%20john%20toland.pdf>

Table of Contents Introduction To Aircraft Performance Selection And Design

1. Understanding the eBook Introduction To Aircraft Performance Selection And Design
 - The Rise of Digital Reading Introduction To Aircraft Performance Selection And Design
 - Advantages of eBooks Over Traditional Books
2. Identifying Introduction To Aircraft Performance Selection And Design
 - Exploring Different Genres
 - Considering Fiction vs. Non-Fiction
 - Determining Your Reading Goals
3. Choosing the Right eBook Platform
 - Popular eBook Platforms
 - Features to Look for in an Introduction To Aircraft Performance Selection And Design
 - User-Friendly Interface
4. Exploring eBook Recommendations from Introduction To Aircraft Performance Selection And Design

- Personalized Recommendations
- Introduction To Aircraft Performance Selection And Design User Reviews and Ratings
- Introduction To Aircraft Performance Selection And Design and Bestseller Lists
- 5. Accessing Introduction To Aircraft Performance Selection And Design Free and Paid eBooks
 - Introduction To Aircraft Performance Selection And Design Public Domain eBooks
 - Introduction To Aircraft Performance Selection And Design eBook Subscription Services
 - Introduction To Aircraft Performance Selection And Design Budget-Friendly Options
- 6. Navigating Introduction To Aircraft Performance Selection And Design eBook Formats
 - ePub, PDF, MOBI, and More
 - Introduction To Aircraft Performance Selection And Design Compatibility with Devices
 - Introduction To Aircraft Performance Selection And Design Enhanced eBook Features
- 7. Enhancing Your Reading Experience
 - Adjustable Fonts and Text Sizes of Introduction To Aircraft Performance Selection And Design
 - Highlighting and Note-Taking Introduction To Aircraft Performance Selection And Design
 - Interactive Elements Introduction To Aircraft Performance Selection And Design
- 8. Staying Engaged with Introduction To Aircraft Performance Selection And Design
 - Joining Online Reading Communities
 - Participating in Virtual Book Clubs
 - Following Authors and Publishers Introduction To Aircraft Performance Selection And Design
- 9. Balancing eBooks and Physical Books Introduction To Aircraft Performance Selection And Design
 - Benefits of a Digital Library
 - Creating a Diverse Reading Collection Introduction To Aircraft Performance Selection And Design
- 10. Overcoming Reading Challenges
 - Dealing with Digital Eye Strain
 - Minimizing Distractions
 - Managing Screen Time
- 11. Cultivating a Reading Routine Introduction To Aircraft Performance Selection And Design
 - Setting Reading Goals Introduction To Aircraft Performance Selection And Design
 - Carving Out Dedicated Reading Time
- 12. Sourcing Reliable Information of Introduction To Aircraft Performance Selection And Design

- Fact-Checking eBook Content of Introduction To Aircraft Performance Selection And Design
 - Distinguishing Credible Sources
13. Promoting Lifelong Learning
- Utilizing eBooks for Skill Development
 - Exploring Educational eBooks
14. Embracing eBook Trends
- Integration of Multimedia Elements
 - Interactive and Gamified eBooks

Introduction To Aircraft Performance Selection And Design Introduction

In this digital age, the convenience of accessing information at our fingertips has become a necessity. Whether its research papers, eBooks, or user manuals, PDF files have become the preferred format for sharing and reading documents. However, the cost associated with purchasing PDF files can sometimes be a barrier for many individuals and organizations. Thankfully, there are numerous websites and platforms that allow users to download free PDF files legally. In this article, we will explore some of the best platforms to download free PDFs. One of the most popular platforms to download free PDF files is Project Gutenberg. This online library offers over 60,000 free eBooks that are in the public domain. From classic literature to historical documents, Project Gutenberg provides a wide range of PDF files that can be downloaded and enjoyed on various devices. The website is user-friendly and allows users to search for specific titles or browse through different categories. Another reliable platform for downloading Introduction To Aircraft Performance Selection And Design free PDF files is Open Library. With its vast collection of over 1 million eBooks, Open Library has something for every reader. The website offers a seamless experience by providing options to borrow or download PDF files. Users simply need to create a free account to access this treasure trove of knowledge. Open Library also allows users to contribute by uploading and sharing their own PDF files, making it a collaborative platform for book enthusiasts. For those interested in academic resources, there are websites dedicated to providing free PDFs of research papers and scientific articles. One such website is Academia.edu, which allows researchers and scholars to share their work with a global audience. Users can download PDF files of research papers, theses, and dissertations covering a wide range of subjects. Academia.edu also provides a platform for discussions and networking within the academic community. When it comes to downloading Introduction To Aircraft Performance Selection And Design free PDF files of magazines, brochures, and catalogs, Issuu is a popular choice. This digital publishing platform hosts a vast collection of publications from around the world. Users can search for specific titles or explore various categories and genres. Issuu offers a seamless reading experience with its user-friendly interface and allows users to

download PDF files for offline reading. Apart from dedicated platforms, search engines also play a crucial role in finding free PDF files. Google, for instance, has an advanced search feature that allows users to filter results by file type. By specifying the file type as "PDF," users can find websites that offer free PDF downloads on a specific topic. While downloading Introduction To Aircraft Performance Selection And Design free PDF files is convenient, it's important to note that copyright laws must be respected. Always ensure that the PDF files you download are legally available for free. Many authors and publishers voluntarily provide free PDF versions of their work, but it's essential to be cautious and verify the authenticity of the source before downloading Introduction To Aircraft Performance Selection And Design. In conclusion, the internet offers numerous platforms and websites that allow users to download free PDF files legally. Whether it's classic literature, research papers, or magazines, there is something for everyone. The platforms mentioned in this article, such as Project Gutenberg, Open Library, Academia.edu, and Issuu, provide access to a vast collection of PDF files. However, users should always be cautious and verify the legality of the source before downloading Introduction To Aircraft Performance Selection And Design any PDF files. With these platforms, the world of PDF downloads is just a click away.

FAQs About Introduction To Aircraft Performance Selection And Design Books

What is a Introduction To Aircraft Performance Selection And Design PDF? A PDF (Portable Document Format) is a file format developed by Adobe that preserves the layout and formatting of a document, regardless of the software, hardware, or operating system used to view or print it.

How do I create a Introduction To Aircraft Performance Selection And Design PDF? There are several ways to create a PDF: Use software like Adobe Acrobat, Microsoft Word, or Google Docs, which often have built-in PDF creation tools. Print to PDF: Many applications and operating systems have a "Print to PDF" option that allows you to save a document as a PDF file instead of printing it on paper. Online converters: There are various online tools that can convert different file types to PDF.

How do I edit a Introduction To Aircraft Performance Selection And Design PDF? Editing a PDF can be done with software like Adobe Acrobat, which allows direct editing of text, images, and other elements within the PDF. Some free tools, like PDFescape or Smallpdf, also offer basic editing capabilities.

How do I convert a Introduction To Aircraft Performance Selection And Design PDF to another file format? There are multiple ways to convert a PDF to another format: Use online converters like Smallpdf, Zamzar, or Adobe Acrobat's export feature to convert PDFs to formats like Word, Excel, JPEG, etc. Software like Adobe Acrobat, Microsoft Word, or other PDF editors may have options to export or save PDFs in different formats.

How do I password-protect a Introduction To Aircraft Performance Selection And Design PDF? Most PDF editing software allows you to add password protection. In Adobe Acrobat, for instance, you can go to "File" -> "Properties" -> "Security" to

set a password to restrict access or editing capabilities. Are there any free alternatives to Adobe Acrobat for working with PDFs? Yes, there are many free alternatives for working with PDFs, such as: LibreOffice: Offers PDF editing features. PDFsam: Allows splitting, merging, and editing PDFs. Foxit Reader: Provides basic PDF viewing and editing capabilities. How do I compress a PDF file? You can use online tools like Smallpdf, I LovePDF, or desktop software like Adobe Acrobat to compress PDF files without significant quality loss. Compression reduces the file size, making it easier to share and download. Can I fill out forms in a PDF file? Yes, most PDF viewers/editors like Adobe Acrobat, Preview (on Mac), or various online tools allow you to fill out forms in PDF files by selecting text fields and entering information. Are there any restrictions when working with PDFs? Some PDFs might have restrictions set by their creator, such as password protection, editing restrictions, or print restrictions. Breaking these restrictions might require specific software or tools, which may or may not be legal depending on the circumstances and local laws.

Find Introduction To Aircraft Performance Selection And Design :

the rising sun john tolant

thermal engineering question bank

the thrill of the chase a memoir by forrest fenn release

the policy process in the modern state gbv

the practice of statistics 4th edition starnes yates moore answers

the startup s the step by step for building a great company 1

the reason is you sharla lovelace

the silver pigs falco

the resilient practitioner burnout prevention and self care strategies for counselors therapists teachers and health professionals second edition practice from scientific historical and e

the true cost of low prices the violence of globalization

the war correspondence of leon trotsky the balkan wars 1912 13

the role of constituency offices in enhancing democracy

the presentation of self in everyday life erving goffman

the ottoman gulf

the self coached climber

Introduction To Aircraft Performance Selection And Design :

spanking stories a young woman bends over the desk for the - Sep 07 2022

web part 5 of charlotte amelia imogen and takisha a once obedient girl is caned by her best friend s boyfriend for speeding
mf f cane over the desk panties short denim skirt

[caning your erotic stories](#) - Oct 28 2021

web may 30 2020 13 02 2020 total 0 votes it had been over 6 months since john and sue had first been introduced to the
painful pleasures of caning by the fraudulent dr hay

restrained for a caning again bdsm literotica com - Dec 10 2022

web a final thwack across the lower part of my cheeks almost on my thighs marks the end of my second stage of caning
downing the cane he leaves me to make himself a cup of tea i

fmcane fmcaning twitter - Jan 31 2022

web 1 2 fmcane fmcaning may 20 2022 welcome him in make him rub your back since you are still showering watch him tidy
up the house while you chill down after the

caning literotica com - May 15 2023

web may 10 2011 18 year old schoolgirl is caned before taking an anal fucking young woman older man kinky fantasies
exploring boundaries young spoiled wife humiliates daughter

[judicial caning stories smutmd](#) - May 03 2022

web bdsm rob had many fantasies all to do with spanking and caning he scoured the internet for mature dominant mistresses
anyone who offered exciting times in their well equipped

[spanking stories directory alice north](#) - Jul 05 2022

web part 9 of alice hannah and ella bad driving manners lands an obedient girl over the hood of her car for a week of caning
m f cane car skirt suit string panties thong panties

[caning literotica com](#) - Aug 18 2023

web oct 13 2023 a halloween adventure in the trans zone laura gets tied up in lies lillian shows her boy how post cum
drowsiness is a problem the training continues for the

[spanking stories lush stories](#) - Aug 06 2022

web spanking stories spanking stories involve characters who like to spank or be spanked they could be over the knee otk
spanking stories or people being spanked with a

punishments with the cane 100 free caning galleries - Apr 02 2022

web oct 18 2023 fhs classics caning lizzy madison lizzy s uncle is a stickler for discipline and when he finds she s been

drinking alcohol he swiftly has her bent over a stool jeans

gracie s three punishments ch 01 literotica com - Nov 09 2022

web combined with being a well dressed attractive twenty nine year old woman her lawyer thought there was a chance for leniency from the court nevertheless she knew it was a

spanking stories jonathan quincy graves spanking fiction - Mar 01 2022

web short spanking stories by jonathan quincy graves jqgraves primarily women spanking men in female led relationships flr or female led marriage flm

joanie s embarrassing caning bdsm literotica com - Apr 14 2023

web the description of a severe caning should have been explicit and certainly involved poor joanie s reactions ie her pleadings cries for mercy her sobbing her begging for the

caning search xvideos com - Nov 28 2021

web stormy caning for lusty sweetheart 5 min bonner kathlin1992 720p stormy caning for lusty babe 5 min bonner kathlin1992 1080p caning on the bed 8 min daz0775

caning literotica com - Feb 12 2023

web oct 3 2021 jane s memories of caning david this is victoria s account of her caning of david when my girlfriend s sister moves in things get interesting the later

judicial caning literotica com - Oct 08 2022

web jul 2 2023 her plan worked but not as she wanted i get to put my questions to becky when she returns another judicial caning with added humiliation the guards find a

caning literotica com - Jan 11 2023

web mar 20 2022 sandy submits to gary and jane visits kevin kate pleases annette then disciplines linda a young man finds a strict dominatrix a cash struck hairdresser gets

twenty four of the best abel s spanking stories - Jun 16 2023

web dec 3 2011 i need to go back a bit before that though so you understand the reason why the caning well mattered so much to me i d graduated in economics modern

caning literotica com - Mar 13 2023

web mar 10 2023 is online now naive novice in nunnery is abused by nuns bishop and lord alice lives with caroline and her girlfriend helen our sissy gets punished a sketch of a

secret obsessions caning illustrated story - Sep 19 2023

web jan 5 2022 the caning illustrated fetish story by simone francis the first thwack lands and he marvels at the way her

buttocks respond a ripple of flesh speeds out from
[caning wikipedia](#) - Dec 30 2021

web caning is a form of corporal punishment consisting of a number of hits known as strokes or cuts with a single cane usually made of rattan generally applied to the offender s

[liz is subjected to a judicial caning 1 lush stories](#) - Jun 04 2022

web jul 20 2017 a caning by judicial order was supposed to be carried out shortly after the order was issued but the time for suitable appointments and the issuing of a summons to

[caning stories lush stories](#) - Jul 17 2023

web oct 8 2023 18 6 575 100 words essebar 8 oct 2023 the life of a spirited disciplined and unusual middle eastern young lady chapter 4 my project training begins i met

het pilgrim fathers complot dutch edition waptac - Mar 21 2022

web het pilgrim fathers complot dutch edition het pilgrim fathers complot dutch edition 2 downloaded from waptac org on 2020 10 19 by guest that might help explain the

het pilgrim fathers complot paperback 17 august 2018 - Jun 23 2022

web select the department you want to search in

[amazon co uk customer reviews het pilgrim fathers complot](#) - Jan 31 2023

web find helpful customer reviews and review ratings for het pilgrim fathers complot dutch edition at amazon com read honest and unbiased product reviews from our users

[het pilgrim fathers complot by jeroen windmeijer goodreads](#) - Sep 07 2023

web aug 7 2018 het pilgrim fathers complot jeroen windmeijer 3 53 707 ratings 76 reviews in het pilgrim fathers complot wordt de lezer in razende vaart meegevoerd

het pilgrim fathers complot dutch edition paperback - Mar 01 2023

web het pilgrim fathers complot dutch edition windmeijer jeroen amazon com au books

[het pilgrim fathers complot paperback 16 may 2019](#) - Sep 26 2022

web may 16 2019 buy het pilgrim fathers complot heruitgave by windmeijer jeroen isbn 9789402702651 from amazon s book store everyday low prices and free delivery on

editions of il manoscritto perduto della massoneria by - Jul 25 2022

web editions for il manoscritto perduto della massoneria kindle edition published in 2020 paperback published in 2018 9402701621 paperback published home my books

[het pilgrim fathers complot anna s archive](#) - Aug 06 2023

web dutch nl epub 2 6mb jeroen windmeijer windmeijer jeroen het pilgrim fathers complot 2018 harpercollins holland epub
het pilgrim fathers complot

[het pilgrim fathers complot](#) - Oct 28 2022

web het pilgrim fathers complot jeroen windmeijer vooruitex windmeijer het pilgrim fathers complot 115x175 hr indd 3 02 07
18 13 57 dit is een leesfragment uit het pilgrim

het pilgrim fathers complot dutch edition paperback - Jun 04 2023

web aug 17 2018 het pilgrim fathers complot dutch edition windmeijer jeroen on amazon com free shipping on qualifying
offers het pilgrim fathers complot

het pilgrim fathers complot 2013 thecontemporaryaustin org - Aug 26 2022

web 2 het pilgrim fathers complot 2022 07 30 zavier ulises historicizing colonial nostalgia harpercollins uk the knights of the
golden circle was the largest and most

[recensie van henk van der duim over het pilgrim fathers](#) - Nov 28 2022

web boeken recensies het pilgrim fathers complot doe mij elke dag bij het ontbijt een complottheorie lezersrecensie doe mij
elke dag bij het ontbijt een complottheorie henk

het pilgrim fathers complot by windmeijer jeroen abebooks - May 03 2023

web het pilgrim fathers complot by windmeijer jeroen windmeijer jeroen and a great selection of related books art and
collectibles available now at abebooks com

het pilgrim fathers complot kobo com - Dec 30 2022

web het pilgrim fathers complot door jeroen windmeijer synopsis samenvatting uitvouwen inklappen zes moorden drie
continenten een wereldwijde cultus en een

het pilgrim fathers complot harpercollins holland - Jul 05 2023

web het pilgrim fathers complot door jeroen windmeijer publicatiedatum 07 08 2018 prijs 19 99 het pilgrim fathers complot
door jeroen windmeijer publicatiedatum

het pilgrim fathers complot dutch edition antistudent pamphlet - Feb 17 2022

web as some harmful virus inside their computer het pilgrim fathers complot dutch edition is reachable in our digital library
an online right of entry to it is set as public suitably you

het pilgrim fathers complot windmeijer jeroen - Apr 02 2023

web het pilgrim fathers complot by windmeijer jeroen isbn 10 9402701621 isbn 13 9789402701623 harpercollins 2018
softcover

het pilgrim fathers complot 2018 edition open library - Oct 08 2023

web het pilgrim fathers complot by jeroen windmeijer 2018 harper collins edition paperback in dutch

het pilgrim fathers complot dwarsligger 629 paperback - Dec 18 2021

web sep 27 2019 het pilgrim fathers complot dwarsligger 629 windmeijer jeroen on amazon com free shipping on qualifying offers het pilgrim fathers complot

het pilgrim fathers complot dutch edition copy uniport edu - Jan 19 2022

web sep 4 2023 het pilgrim fathers complot dutch edition 1 6 downloaded from uniport edu ng on september 4 2023 by guest het pilgrim fathers complot dutch

het pilgrim fathers complot dutch edition by jeroen windmeijer - Apr 21 2022

web het pilgrim fathers complot dutch edition by jeroen windmeijer st paul s labyrinth the explosive new thriller perfect full text of the stanford dictionary of anglicised words

het pilgrim fathers complot dutch edition robyn carr - May 23 2022

web het pilgrim fathers complot dutch edition het pilgrim fathers complot dutch edition 2 downloaded from rjonline org on 2020 12 21 by guest barely survived the brutality of a

internet marketing integrating online and offline strategies - Apr 11 2023

web internet marketing integrating online and offline strategies by roberts mary lou publication date 2012 topics internet marketing publisher mason oh south

internet marketing integrating online and offline - Jul 14 2023

web mcgraw hill irwin 2003 internet marketing 471 pages internet marketing integrating online and offline strategies asserts that while the internet is a transformational

istanbul exchanges ottomans orientalis and nineteenth - Dec 27 2021

İstanbul karşılaşmaları mary roberts fiyat satın al d r - Jan 28 2022

internet marketing integrating online and offline strategies - Dec 07 2022

web jan 1 2018 internet marketing integrating online and offline strategies in a digital environment fourth edition authors debra zahay saint edward s university mary lou

roberts mary lou department of history - Apr 30 2022

web mar 28 2012 internet marketing 3rd edition provides comprehensive coverage of the rapidly changing field of internet marketing that is timely and relevant it relies on

internet marketing integrating online and offline strategies - Mar 10 2023

web mary lou roberts debra l zahay south western cengage learning 2013 cybermarketing 484 pages internet marketing 3e international edition

[internet marketing integrating online offline strategies](#) - Oct 25 2021

internet marketing loose leaf version amazon com - Jun 01 2022

web mar 30 2017 she has been the editor in chief of the journal of research in interactive marketing since 2012 guiding the explosive growth in influence of that journal mary

marla lou marlalou instagram photos and videos - Nov 25 2021

internet marketing integrating online and offline strategies - Jun 13 2023

web internet marketing integrating online and offline strategies in a digital environment 4th ed authors mary lou roberts abstract as a copyrighted textbook this is the only

pdf review of mary roberts istanbul exchanges ottomans - Feb 26 2022

[internet marketing integrating online and offline](#) - Nov 06 2022

web eser selen mary lou o neil this study presents oral history research which investigated the experiences of surviving women workers from the former cibali tekel tobacco and

internet marketing integrating online and offline strategies in a - Jul 02 2022

web 5 776 followers 3 297 following 797 posts see instagram photos and videos from marla lou marlalou

internet marketing integrating online and offline - Sep 04 2022

web tüm Özellikleri gör tüm formatlar 1 adet ciltli stoğu tükendi Ürün açıklaması İstanbul karşılaşmaları kitap açıklaması roberts İstanbul İmparatorluğu nun son döneminin ve

amazon com internet marketing 9780357033883 - Feb 09 2023

web mar 28 2012 isbn 13 2901133625901 pub date 03 28 2012 publisher cengage learning internet marketing integrating online and offline strategies edition 3 by

[internet marketing integrating online and offline strategies](#) - Sep 23 2021

[internet marketing debra zahay mary lou roberts google](#) - Aug 15 2023

web aug 16 2019 internet marketing provides comprehensive coverage of the rapidly changing field of internet marketing that is timely and relevant it relies on extant

internet marketing 4th edition 9780357638576 - Oct 05 2022

web mary roberts this paper analyses the modern practice of collecting and displaying islamic art in ateliers and collector s houses in nineteenth century istanbul paris and krakow in

mary lou o neil s research - Mar 30 2022

internet marketing integrating online and offline - May 12 2023

web mar 28 2012 internet marketing integrating online and offline strategies mary lou roberts debra zahay cengage learning mar 28 2012 business economics 512

internet marketing integrating online and offline - Jan 08 2023

web internet marketing integrating online and offline strategies roberts mary lou published by cengage learning 2012 isbn 10 1133625908 isbn 13 9781133625902

internet marketing integrating online and offline strategies - Aug 03 2022

web in istanbul exchanges mary roberts offers an innovative way of understanding orientalism by shifting the focus from europe to istanbul and examining the cross cultural artistic