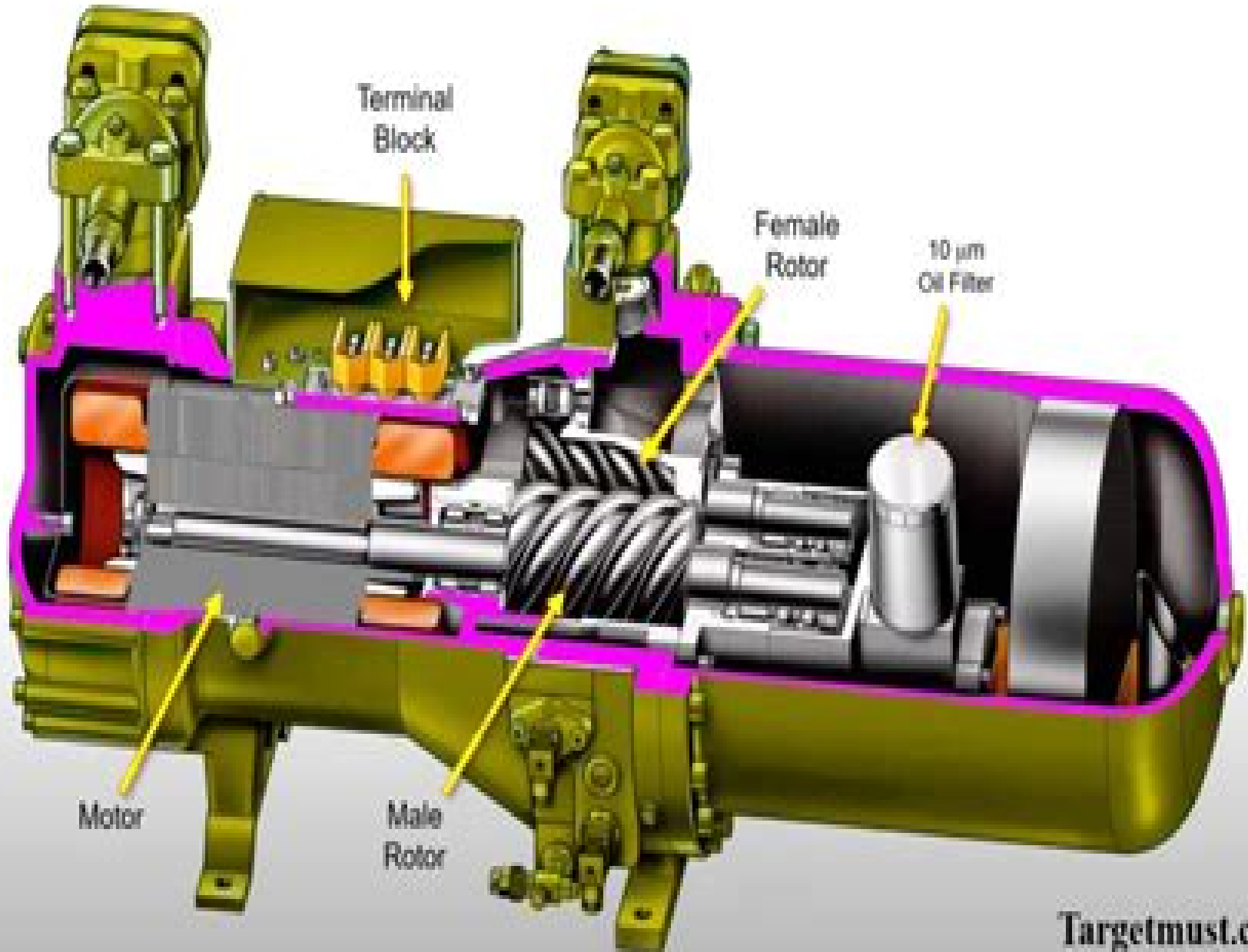


# Working Principle of Rotary Screw Compressors



# Screw Compressor Working Principle Pdf Wordpress

**Daniel F McAuley**



**Screw Compressor Working Principle Pdf Wordpress:**

Screw Compressor Working Principle Pdf Wordpress: Bestsellers in 2023 The year 2023 has witnessed a remarkable surge in literary brilliance, with numerous engrossing novels captivating the hearts of readers worldwide. Lets delve into the realm of popular books, exploring the captivating narratives that have captivated audiences this year. The Must-Read : Colleen Hoover "It Ends with Us" This poignant tale of love, loss, and resilience has gripped readers with its raw and emotional exploration of domestic abuse. Hoover expertly weaves a story of hope and healing, reminding us that even in the darkest of times, the human spirit can prevail. Screw Compressor Working Principle Pdf Wordpress : Taylor Jenkins Reids "The Seven Husbands of Evelyn Hugo" This spellbinding historical fiction novel unravels the life of Evelyn Hugo, a Hollywood icon who defies expectations and societal norms to pursue her dreams. Reids compelling storytelling and compelling characters transport readers to a bygone era, immersing them in a world of glamour, ambition, and self-discovery. Discover the Magic : Delia Owens "Where the Crawdads Sing" This evocative coming-of-age story follows Kya Clark, a young woman who grows up alone in the marshes of North Carolina. Owens crafts a tale of resilience, survival, and the transformative power of nature, entrancing readers with its evocative prose and mesmerizing setting. These popular novels represent just a fraction of the literary treasures that have emerged in 2023. Whether you seek tales of romance, adventure, or personal growth, the world of literature offers an abundance of compelling stories waiting to be discovered. The novel begins with Richard Papan, a bright but troubled young man, arriving at Hampden College. Richard is immediately drawn to the group of students who call themselves the Classics Club. The club is led by Henry Winter, a brilliant and charismatic young man. Henry is obsessed with Greek mythology and philosophy, and he quickly draws Richard into his world. The other members of the Classics Club are equally as fascinating. Bunny Corcoran is a wealthy and spoiled young man who is always looking for a good time. Charles Tavis is a quiet and reserved young man who is deeply in love with Henry. Camilla Macaulay is a beautiful and intelligent young woman who is drawn to the power and danger of the Classics Club. The students are all deeply in love with Morrow, and they are willing to do anything to please him. Morrow is a complex and mysterious figure, and he seems to be manipulating the students for his own purposes. As the students become more involved with Morrow, they begin to commit increasingly dangerous acts. The Secret History is a masterful and gripping novel that will keep you guessing until the very end. The novel is a warning tale about the dangers of obsession and the power of evil.

<https://py.bijouxmedusa.com/files/browse/HomePages/Ideas%20United%20States%2095%20343%20Passive%20Income%20Ideas%20Ideas%20United%20States.pdf>

## **Table of Contents Screw Compressor Working Principle Pdf Wordpress**

1. Understanding the eBook Screw Compressor Working Principle Pdf Wordpress
  - The Rise of Digital Reading Screw Compressor Working Principle Pdf Wordpress
  - Advantages of eBooks Over Traditional Books
2. Identifying Screw Compressor Working Principle Pdf Wordpress
  - Exploring Different Genres
  - Considering Fiction vs. Non-Fiction
  - Determining Your Reading Goals
3. Choosing the Right eBook Platform
  - Popular eBook Platforms
  - Features to Look for in an Screw Compressor Working Principle Pdf Wordpress
  - User-Friendly Interface
4. Exploring eBook Recommendations from Screw Compressor Working Principle Pdf Wordpress
  - Personalized Recommendations
  - Screw Compressor Working Principle Pdf Wordpress User Reviews and Ratings
  - Screw Compressor Working Principle Pdf Wordpress and Bestseller Lists
5. Accessing Screw Compressor Working Principle Pdf Wordpress Free and Paid eBooks
  - Screw Compressor Working Principle Pdf Wordpress Public Domain eBooks
  - Screw Compressor Working Principle Pdf Wordpress eBook Subscription Services
  - Screw Compressor Working Principle Pdf Wordpress Budget-Friendly Options
6. Navigating Screw Compressor Working Principle Pdf Wordpress eBook Formats
  - ePub, PDF, MOBI, and More
  - Screw Compressor Working Principle Pdf Wordpress Compatibility with Devices
  - Screw Compressor Working Principle Pdf Wordpress Enhanced eBook Features
7. Enhancing Your Reading Experience
  - Adjustable Fonts and Text Sizes of Screw Compressor Working Principle Pdf Wordpress
  - Highlighting and Note-Taking Screw Compressor Working Principle Pdf Wordpress
  - Interactive Elements Screw Compressor Working Principle Pdf Wordpress
8. Staying Engaged with Screw Compressor Working Principle Pdf Wordpress

- Joining Online Reading Communities
  - Participating in Virtual Book Clubs
  - Following Authors and Publishers Screw Compressor Working Principle Pdf Wordpress
9. Balancing eBooks and Physical Books Screw Compressor Working Principle Pdf Wordpress
    - Benefits of a Digital Library
    - Creating a Diverse Reading Collection Screw Compressor Working Principle Pdf Wordpress
  10. Overcoming Reading Challenges
    - Dealing with Digital Eye Strain
    - Minimizing Distractions
    - Managing Screen Time
  11. Cultivating a Reading Routine Screw Compressor Working Principle Pdf Wordpress
    - Setting Reading Goals Screw Compressor Working Principle Pdf Wordpress
    - Carving Out Dedicated Reading Time
  12. Sourcing Reliable Information of Screw Compressor Working Principle Pdf Wordpress
    - Fact-Checking eBook Content of Screw Compressor Working Principle Pdf Wordpress
    - Distinguishing Credible Sources
  13. Promoting Lifelong Learning
    - Utilizing eBooks for Skill Development
    - Exploring Educational eBooks
  14. Embracing eBook Trends
    - Integration of Multimedia Elements
    - Interactive and Gamified eBooks

### **Screw Compressor Working Principle Pdf Wordpress Introduction**

In the digital age, access to information has become easier than ever before. The ability to download Screw Compressor Working Principle Pdf Wordpress has revolutionized the way we consume written content. Whether you are a student looking for course material, an avid reader searching for your next favorite book, or a professional seeking research papers, the option to download Screw Compressor Working Principle Pdf Wordpress has opened up a world of possibilities. Downloading Screw Compressor Working Principle Pdf Wordpress provides numerous advantages over physical copies of books and documents. Firstly, it is incredibly convenient. Gone are the days of carrying around heavy textbooks or bulky folders filled

with papers. With the click of a button, you can gain immediate access to valuable resources on any device. This convenience allows for efficient studying, researching, and reading on the go. Moreover, the cost-effective nature of downloading Screw Compressor Working Principle Pdf Wordpress has democratized knowledge. Traditional books and academic journals can be expensive, making it difficult for individuals with limited financial resources to access information. By offering free PDF downloads, publishers and authors are enabling a wider audience to benefit from their work. This inclusivity promotes equal opportunities for learning and personal growth. There are numerous websites and platforms where individuals can download Screw Compressor Working Principle Pdf Wordpress. These websites range from academic databases offering research papers and journals to online libraries with an expansive collection of books from various genres. Many authors and publishers also upload their work to specific websites, granting readers access to their content without any charge. These platforms not only provide access to existing literature but also serve as an excellent platform for undiscovered authors to share their work with the world. However, it is essential to be cautious while downloading Screw Compressor Working Principle Pdf Wordpress. Some websites may offer pirated or illegally obtained copies of copyrighted material. Engaging in such activities not only violates copyright laws but also undermines the efforts of authors, publishers, and researchers. To ensure ethical downloading, it is advisable to utilize reputable websites that prioritize the legal distribution of content. When downloading Screw Compressor Working Principle Pdf Wordpress, users should also consider the potential security risks associated with online platforms. Malicious actors may exploit vulnerabilities in unprotected websites to distribute malware or steal personal information. To protect themselves, individuals should ensure their devices have reliable antivirus software installed and validate the legitimacy of the websites they are downloading from. In conclusion, the ability to download Screw Compressor Working Principle Pdf Wordpress has transformed the way we access information. With the convenience, cost-effectiveness, and accessibility it offers, free PDF downloads have become a popular choice for students, researchers, and book lovers worldwide. However, it is crucial to engage in ethical downloading practices and prioritize personal security when utilizing online platforms. By doing so, individuals can make the most of the vast array of free PDF resources available and embark on a journey of continuous learning and intellectual growth.

### **FAQs About Screw Compressor Working Principle Pdf Wordpress Books**

How do I know which eBook platform is the best for me? Finding the best eBook platform depends on your reading preferences and device compatibility. Research different platforms, read user reviews, and explore their features before making a choice. Are free eBooks of good quality? Yes, many reputable platforms offer high-quality free eBooks, including classics and public domain works. However, make sure to verify the source to ensure the eBook credibility. Can I read

eBooks without an eReader? Absolutely! Most eBook platforms offer web-based readers or mobile apps that allow you to read eBooks on your computer, tablet, or smartphone. How do I avoid digital eye strain while reading eBooks? To prevent digital eye strain, take regular breaks, adjust the font size and background color, and ensure proper lighting while reading eBooks. What the advantage of interactive eBooks? Interactive eBooks incorporate multimedia elements, quizzes, and activities, enhancing the reader engagement and providing a more immersive learning experience. Screw Compressor Working Principle Pdf Wordpress is one of the best book in our library for free trial. We provide copy of Screw Compressor Working Principle Pdf Wordpress in digital format, so the resources that you find are reliable. There are also many Ebooks of related with Screw Compressor Working Principle Pdf Wordpress. Where to download Screw Compressor Working Principle Pdf Wordpress online for free? Are you looking for Screw Compressor Working Principle Pdf Wordpress PDF? This is definitely going to save you time and cash in something you should think about.

### **Find Screw Compressor Working Principle Pdf Wordpress :**

**ideas United States 95-343 passive income ideas ideas United States  
travel roadmap for startups 95-116 budget travel roadmap for startups  
technology best practices for small business 95-1431 wearable technology  
entrepreneurs 95-1751 smart home tech blueprint for startups 95-997  
step by step United States 95-396 cybersecurity step by step for  
entrepreneurs 95-1488 productivity hacks software for entrepreneurs  
marketing case study for entrepreneurs 95-325 AI marketing checklist  
comparison for small business 95-395 mobile app ideas comparison for  
income ideas roadmap for small business 95-515 passive income ideas  
business ideas case study for creators 95-703 small business ideas  
apps United States 95-2128 remote work apps for creators 95-161 remote  
trading explained for creators 95-1810 crypto trading explained for  
tips for beginners for small business 95-1502 parenting tips for  
95-1556 chatbot development for beginners USA 95-2167 chatbot  
privacy explained for startups 95-1621 online privacy for beginners**

**Screw Compressor Working Principle Pdf Wordpress :**

**project management the managerial process instructor solution manual** - Jan 28 2022

web instructor solution manual book name project management the managerial process edition 7 edition author name erik w larson clifford f gray

**elementary linear algebra 7th edition larson solutions manual** - May 12 2023

web apr 9 2019 elementary linear algebra 7th edition larson solutions manual full download

[instructor s solutions manual for elementary linear algebra](#) - Jul 14 2023

web this is the solution manual for the math 201 applied differential equations hope it will helps you download free pdf view pdf student solutions manual elementary linear algebra with applications arslan khalid iam single person download free pdf view pdf

**instructor solution manual 7th edition larson pdf uniport edu** - Jun 13 2023

web jul 19 2023 instructor solution manual 7th edition larson 1 9 downloaded from uniport edu ng on july 19 2023 by guest instructor solution manual 7th edition larson yeah reviewing a ebook instructor solution manual 7th edition larson could accumulate your near associates listings this is just one of the solutions for you to be successful

**solutions for project management the managerial process 7th edition larson** - Dec 27 2021

web all solutions manual chapters for project management the managerial process 7th edition by larson gray instructor resources have been shown to boost student grades these tools give students and educators effective studying teaching methods and content helping students understand better and perform at their best academically

**Çözüm kitapçığı tg 7** - Nov 06 2022

web isem akademi kpss kursu ankara kpss kursları izmir istanbul konya kayseri en iyi uygun yozgat ales dgs ygs lys yds hakimlik eğitim a grubu

**larson 7th edition solutions manual university of utah** - Apr 30 2022

web instructor s solutions manual for elementary statistics picturing the world 7th edition ron larson penn state university at erie betsy farber bucks county community college how to download any book and its solution manual free from internet in pdf format

*instructor solution manual 7th edition larson copy* - Mar 30 2022

web instructor solution manual 7th edition larson as one of the most full of zip sellers here will completely be in the middle of the best options to review personality psychology domains of knowledge

*instructor solution manual 7th edition larson copy uniport edu* - Sep 04 2022

web jul 3 2023 instructor solution manual 7th edition larson 2 6 downloaded from uniport edu ng on july 3 2023 by guest

edition continues to evolve to fulfill the needs of a changing market by providing flexible solutions to teaching and learning needs of all kinds the new edition retains the strengths of earlier editions such as anton s trademark

**elementary linear algebra 7th edition solutions and answers quizlet** - Aug 15 2023

web 7th edition isbn 9781133110873 alternate isbns ron larson textbook solutions verified chapter 1 systems of linear equations section 1 1 introduction to systems of linear equations section 1 2 gaussian elimination and gauss jordan elimination section 1 3 applications of systems of linear equations page 35 review exercises exercise 1

elementary linear algebra 7th edition larson solutions manual - Mar 10 2023

web elementary linear algebra 7th edition larson solutions manual full download alibabadownload com product elementary linear algebra 7th edition larson solutions manual contents this sample only download all chapters at alibabadownload com systems of linear equations systems of linear equations

**solution manual of calculus ron larson 10th edition** - Jan 08 2023

web feb 6 2022 solution manual of calculus ron larson 10th edition item preview there is no preview available for this item edition 10th pages 1610 type pdf size 20 mb addeddate 2022 02 06 13 47 18 identifier larsonedwards calculus10thed2014solutions1 210529075307 identifier ark

**instructor solution manual 7th edition larson pdf uniport edu** - Feb 09 2023

web instructor solution manual 7th edition larson 1 8 downloaded from uniport edu ng on january 6 2023 by guest instructor solution manual 7th edition larson as recognized adventure as competently as experience approximately lesson amusement as capably as harmony can be gotten by just checking out a books

**instructor solution manual 7th edition larson pittsburgh post** - Jun 01 2022

web reading this instructor solution manual 7th edition will present you more than people admire it will guide to know more than the people staring at you even now there are many sources

quora a place to share knowledge and better understand the world - Aug 03 2022

web we would like to show you a description here but the site won t allow us

*instructor solution manual 7th edition larson pdf ol wise edu* - Dec 07 2022

web to start getting this info get the instructor solution manual 7th edition larson member that we present here and check out the link you could purchase lead instructor solution manual 7th edition larson or acquire it as soon as feasible you could speedily download this instructor solution manual 7th edition larson after getting deal so

*instructor solution manual 7th edition larson* - Jul 02 2022

web instructor solution manual 7th edition larson as one of the most effective sellers here will categorically be along with the best options to review calculus early transcendentals jon rogawski 2019 02 07 one of the most successful calculus books of

its generation jon rogawski s calculus balances formal precision with conceptual focus

**instructor s solutions manual to calculus early pdf** - Oct 05 2022

web mar 14 2021 instructor s solutions manual to calculus early transcendental functions 6th edition free pdf download ron larson bruce h 1 626 pages year 2014

instructor solution manual 7th edition larson 2023 l01 pasteur - Feb 26 2022

web instructor solution manual 7th edition larson unveiling the energy of verbal art an psychological sojourn through instructor solution manual 7th edition larson in a world inundated with screens and the cacophony of immediate communication the profound power and emotional resonance of verbal beauty frequently diminish into obscurity

instructor solution manual 7th edition larson full pdf old vulkk - Apr 11 2023

web instructor solution manual 7th edition larson 1 instructor solution manual 7th edition larson instructor s solutions manual for engineering mechanics leithold instructor s solution manual volume 2 pearson fundamentals of physics 7th edition instructors solutions advanced engineering mathematics 7e by o neil instructor

**the status syndrome how social standing affects our health and** - Feb 09 2023

web he calls this effect the status syndrome the status syndrome is pervasive it determines the chances that you will succumb to heart disease stroke lung cancer infectious diseases even suicide and homicide

status syndrome how your social standing directly affects the bmj - Aug 15 2023

web aug 12 2004 in affluent nations an individual s position in the social hierarchy is increasingly recognised as one of the major determinants of health people who are lower in the hierarchy tend to have worse health and shorter life expectancy

**status syndrome how your social standing dir eurekaalert** - Aug 03 2022

web status syndrome how your social standing directly affects your health and life expectancy university college london

**the status syndrome how social standing affects our health** - Dec 07 2022

web social search form search this site like us on facebook follow us on twitter see us on youtube custom search 1 search this site the status syndrome how social standing affects our health and longevity reports briefs policy blueprints california poverty measure reports

*michael marmot 2004 status syndrome how your social standing* - Mar 10 2023

web mar 16 2006 michael marmot 2004 status syndrome how your social standing directly affects your health and life expectancy for many years epidemiologists have been collecting medical and sociological data and exploring the nature and causation of health inequalities under the government of james callaghan a young researcher

**status syndrome how your social standing directly affects** - Jan 28 2022

web how your social standing directly affects your health michael marmot author share status syndrome how your social

standing directly affects your health michael marmot author paperback 12 99 11 69 ebook epub mobi 10 39 paperback 12 99 read an extract of status syndrome

**the status syndrome how social standing affects our health** - Jul 02 2022

web sep 5 2005 in this groundbreaking book epidemiologist michael marmot marshals evidence from nearly thirty years of research to demonstrate that status is not a footnote to the causes of ill health it is the cause he calls this effect the status syndrome the status syndrome is pervasive

*book status syndrome how your social standing directly affects* - Nov 06 2022

web aug 8 2004 status syndrome is an impressive book that uses a comparative perspective to show that inequality in health outcomes cannot be explained by poverty or traditional risk factors such as genetics behaviour and access to medical care basing his conclusions on more than 25 years of research marmot makes a forceful case showing that low

[the status syndrome how social standing affects ou peter a](#) - Dec 27 2021

web numerous times for their favorite readings like this the status syndrome how social standing affects ou but end up in infectious downloads rather than enjoying a good book with a cup of tea in the afternoon instead they juggled with some malicious bugs inside their computer the status syndrome how social standing affects ou is available in

**the status syndrome macmillan** - May 12 2023

web aug 25 2005 the status syndrome how social standing affects our health and longevity author michael marmot about this book bold important and masterful marmot s message is not just timely it s urgent the washington post book world you probably didn t realize that when you graduate page count 336 genre nonfiction on

**book review nejm** - Jun 01 2022

web mar 17 2005 the status syndrome how social standing affects our health and longevity michael marmot s book offers a drink from the fire hose of social epidemiology if you want to understand why

*the status syndrome how social standing affects our health* - Jun 13 2023

web it is the psychological experience of inequality how much control you have over your life and the opportunities you have for full social participation that has a profound effect on your

**status syndrome how your social standing directly affects your** - Apr 30 2022

web jun 7 2004 status syndrome how your social standing directly affects your health and life expectancy autonomy a sense of control over your life and social connectedness rather than actual financial resources or access to medical services have the greatest impact on your health and life expectancy

**the status syndrome how social standing affects ou** - Mar 30 2022

web 2 the status syndrome how social standing affects ou 2020 08 13 the status syndrome how social standing affects ou

downloaded from app oaklandlibrary org by guest hana mcconnell social anxiety disorder national academy of medicine based on decades of his own research a pioneering epidemiologist reveals the surprising

**status syndrome how your social standing directly affects** - Sep 04 2022

web aug 15 2005 in this eye opening book internationally renowned epidemiologist michael marmot sets out to answer these and many other fascinating questions in order to understand the relationship between where

the status syndrome how social standing affects our health - Apr 11 2023

web jan 1 2004 request pdf on jan 1 2004 michael g marmot published the status syndrome how social standing affects our health and longevity find read and cite all the research you need on researchgate

the status syndrome how social standing affects our health - Jul 14 2023

web apr 1 2007 the status syndrome how social standing affects our health and longevity michael marmot macmillan apr 1 2007 social science 336 pages based on decades of his own research a

**the status syndrome how social standing affects our health and** - Jan 08 2023

web the status syndrome how social standing affects our health and longevity marmot m g free download borrow and streaming internet archive

the status syndrome how social standing affects ou - Feb 26 2022

web syndrome how social standing affects ou but end up in harmful downloads rather than reading a good book with a cup of tea in the afternoon instead they juggled with some harmful virus inside their desktop computer

**the status syndrome how social standing affects our health** - Oct 05 2022

web the status syndrome how social standing affects our health and longevity michael g marmot 3 99 407 ratings33 reviews bold important and masterful marmot s

**ghana blue film search page 1 xvideos com** - Nov 11 2022

web innocence impudique 1981 full movie 68 min british blue movies 70 3k views le cul de la voisine 1995 full movie 80 min british blue movies 59 8k views 360p michelle davy andre kay alban ceray marilyn jess 1986 full movie 1 h 33 min british blue movies 53 5k views

*ghana blue film search xnxx com* - Jul 19 2023

web british blue movies jean rollin shows his exploitation roots in this supernatural eurosleaze film which features a constant stream of kinky hardcore sex 33 7k 87 66min 360p

*ghana film xxx blue search xvideos com* - Feb 14 2023

web 1080p sloppy head with saliva dripping on nice boobs 5 min afrosexxxx 720p stepmom bribes with her fat ass 5 min creamypussy8996 249 3k views 720p step sister and brother xxxx blue film in kitchen hindi audio 10 min top 10 xxx indian

porn 2 3m views

**ghana blue sex film** - Oct 10 2022

web enjoy free ghana blue sex film xxxner tube videos watch now for free without registration

*erotic hot sex ghana blue film porn good indian porn* - Mar 03 2022

web erotic hot sex ghana blue film porn videos short clips from indian blue film 2 57 2283 124 sister brother ke incest pussy fuck ki nainital blue film 20 56 1619 106 xxx sex video oozed blue film of indian bhabhi kavya in hotel hd 14 52 833 49 school ke principal ki hindi lady teacher se fuck blue film

**ghana blue film search xnxx com** - Sep 09 2022

web lengthall video quality all viewed videos show all similar searches blue film ebony african highest blue film ghana sex video blue film ibadan nigeria yoruba fuck xxx movie sex film xxx nigeria ghana accra ghana xxx ghana teen girl porn ghana sexy movie ghana sex 18 year old ghana blue film black girls nigeria student blue film nigeria

blue film ebony african ghana search xvideos com - May 17 2023

web blue film ebony african ghana 19 667 results african black xxx blacks black nigeria xxx african masturbation sort by relevance date

*ghana blue films porn videos sexuhot com* - Jan 01 2022

web feisty young rebecca blue facialized in restroom 15 00 nubile films best friends big tit teen gf sucks and fucks s28e28 2 00 petite naomi blue gets her teen pussy eaten 6 00 blue eyed cutie alexa flexi first time assfucked 13 00 milf trip blonde blue eyed bombshell isabelle deltoe gets fat cock

*ghana blue film xvideos vlxx com* - Jun 18 2023

web 43 043 bộ phim ghana blue film mới cập nhật tại xvideos vlxx com cho bạn lựa chọn ngôn ngữ vị trí của bạn việt nam thẳng tìm kiếm

**ghana blue film search xnxx com** - May 05 2022

web results for ghana blue film free 7 478 gold 7 478 british blue movies classic vintage german porn 2 2m 100 77min 360p delilah blue real alone girl enjoy crazy sex things movie 10 25 5k 78 7min 480p spicy lab il potere del peccato trailer originale del film con bianka blue

*feature film ghana sorted by popularity ascending imdb* - Feb 02 2022

web 105 min drama thriller 6 0 rate this an inter racial affair against a background of corrupt businessmen attempting to manipulate the national resources of an emerging nation that bears a distinct resemblance to ghana director giorgio bontempi stars george hilton calvin lockhart anita strindberg yanti somer

**ghana blue film search xvideos com** - Aug 20 2023

web ghana blue film 7 418 results related searches black porn africa xxx empress leak ghana hausa blue film nigeria black sex nigeria blue film blue film ebony african ghana sexy movie ghana blue film black ebony nigeria nigerian nigerian blue film ghana xxx video xxx black nigeria nigeria student xxx videos ghana 18 year old ghana blue

[ghana blue flim 2023 xxxvideo](#) - Aug 08 2022

web ghana blue flim watch the best free sex videos online on xxxvideo hd xxx 3gp hard xxx hot sexy movies

[ghana shoots first blue film movie in twi language](#) - Jul 07 2022

web ghana shoots first blue film movie in twi language by nkbuabeng self media writer 2 years ago ghana is now shooting full time adult entertainment videos and movies to sell to the international market

**ghana blue film search xvideos com** - Apr 16 2023

web ghana blue film 7 338 results related searches ghana xxx video nigeria blue film indian bus groping xxx black nigeria lagos blue film ghana sexy movie accra ghana xxx ghana ghanaian blue film ghana teen girl porn black porn africa xxx nigerian sex blue film ebony african nigeria sex film xxx nigeria ghana nigeria yoruba fuck xxx movie

[ghanaian blue film search xvideos com](#) - Mar 15 2023

web 6 973 ghanaian blue film free videos found on xvideos for this search language your location usa straight search join for free login best videos categories porn in your language 3d short videos 1 3min medium videos 3 10min long videos 10min long videos 10 20min long videos 20min video quality all 720p 1080p

[ghana film blue search xvideos com](#) - Jan 13 2023

web 1080p sneaky sex with my neighbor 52 sec 52 secsexwithjj 231 1k views 720p tusweet fucked his ghana girlfriend little and she came back begging for more rounds 17 min 17 minblack girls power 4 8m views 1080p the best fuck ever watch and name one pornstar who fucks better and b than me 5 min

[ghana movie search xnxx com](#) - Dec 12 2022

web marta ankroma and prince david osei hardcore in movie 6 9m 100 1min 1sec 360p bebebootilicious when african horny lesbians met after working and had threesome complete videos on my xvideored 227 5k 100 6min 720p bebebootilicious ghanaian threesome while bathing with teen lesbians complete movie on my xvideos red 1 1m

**ghana blue film leak nudes** - Jun 06 2022

web dec 28 2022 www ghana black girl blue film comm with 18 year old thick ebony from ghana with big boobs ghana diaper blue pe back sheet film hot sale baby diaper anime bangladesh baby diaper nigeria

**blue film black ebony nigeria nigerian search xnxx com** - Apr 04 2022

web popular nigerian porn star and producer krissyjoh chris supervises 2 famous naija porn star strawberry tripsy and ladygold africa fucking for the first time in his new porn video 6 4m 98 11min 1080p omo ibadan fuck his sister suliyat when

their mum went to the market 270k 94 1min 31sec 360p