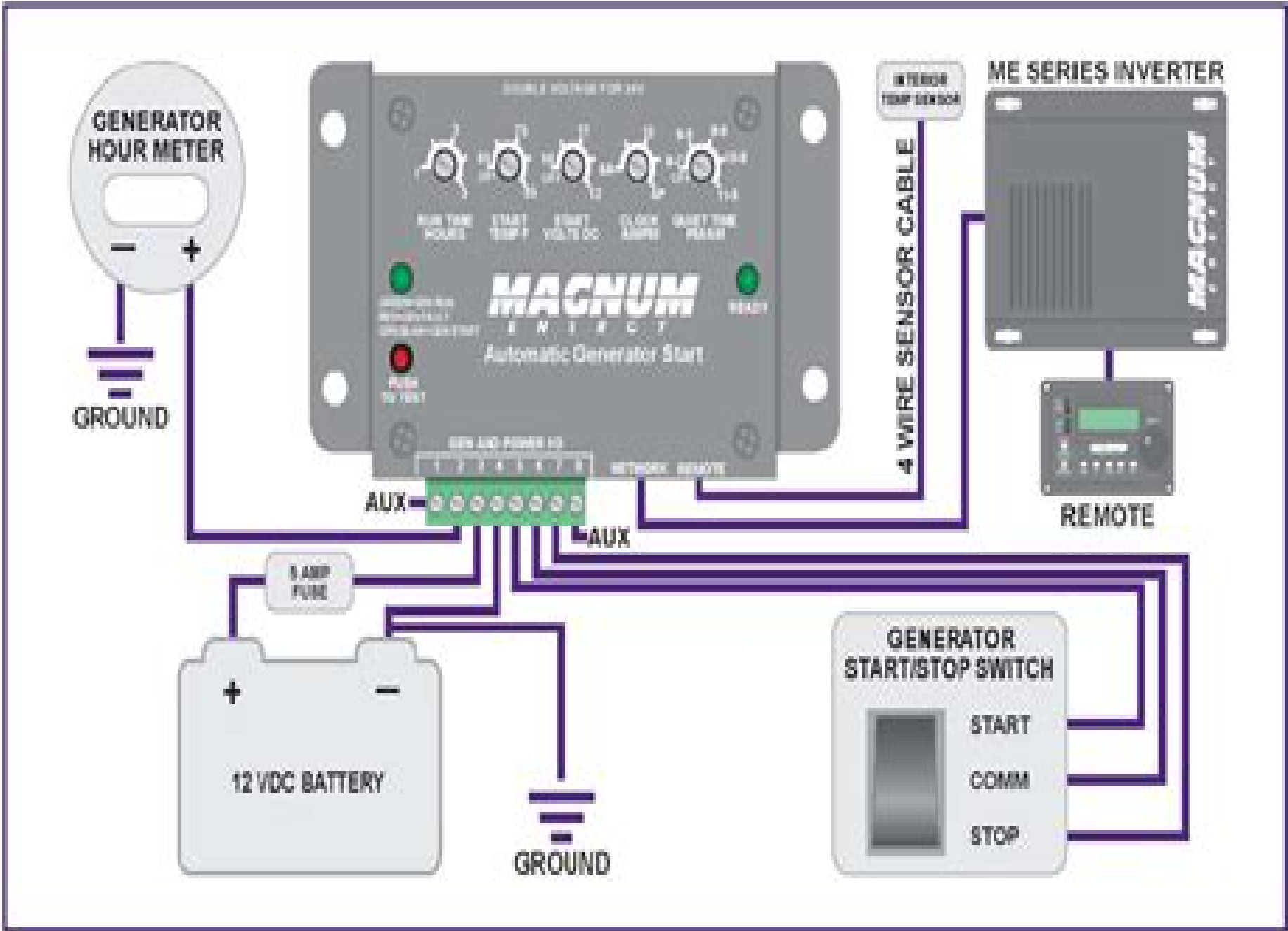


AGS Wiring Diagram for Networked Systems (ME-AGS)



Automatic Generator Start Module Ags Dimensions

Yicheng Fang



Automatic Generator Start Module Aps Dimensions:

Photovoltaic Systems Engineering Roger A. Messenger, Amir Abtahi, 2017-03-07 The primary purpose of PV Systems Engineering is to provide a comprehensive set of PV knowledge and understanding tools for the design installation commissioning inspection and operation of PV systems During recent years in the United States more PV capacity was installed than any other electrical generation source In addition to practical system information this new edition includes explanation of the basic physical principles upon which the technology is based and a consideration of the environmental and economic impact of the technology The material covers all phases of PV systems from basic sunlight parameters to system commissioning and simulation as well as economic and environmental impact of PV With homework problems included in each chapter and numerous design examples of real systems the book provides the reader with consistent opportunities to apply the information to real world scenarios

Attribute Grammars Pierre Deransart, Martin Jourdan, Bernard Lorho, 1988-08-10 This book treats the problem of formulating models in mathematical programming and thereafter solving the resulting model Particular emphasis is placed on the interaction between the two The topic is viewed from different angles namely linear programming Walter Murray integer programming Ellis Johnson network flows John Mulvey and stochastic programming Roger J B Wets The book will be very useful for any mathematics programmer or operations researcher who works in the field of real world modelling The book is an important part of any university course in modelling particularly in operations research economics and business The book also contains an article on the origins of mathematical programming Alexander Rinnooy Kan This is important reading for anyone interested in the history of the field

The Software Encyclopedia, 1986

ERDA Energy Research Abstracts United States. Energy Research and Development Administration, 1977

ERDA Energy Research Abstracts United States. Energy Research and Development Administration. Technical Information Center, 1977

PC Tech Journal, 1987-11

Government Reports Announcements & Index, 1993

Energy Research Abstracts, Index to Scientific & Technical Proceedings, 1979-07 Monthly with annual cumulation Published conference literature useful both as current awareness and retrospective tools that allow searching by authors of individual papers as well as by editors Includes proceedings in all formats i e books reports journal issues etc Complete bibliographical information for each conference proceedings appears in section titled Contents of proceedings with accompanying category permuterm subject sponsor author editor meeting location and corporate indexes Contains abbreviations used in organizational and geographical names

Immerse yourself in the artistry of words with is expressive creation, Immerse Yourself in **Automatic Generator Start Module Ags Dimensions** . This ebook, presented in a PDF format (PDF Size: *), is a masterpiece that goes beyond conventional storytelling. Indulge your senses in prose, poetry, and knowledge. Download now to let the beauty of literature and artistry envelop your mind in a unique and expressive way.

<https://py.bijouxmedusa.com/book/browse/fetch.php/Business%2067%201740%20Blog%20Monetization%20Strategies%20America%2067%20520%20Blog.pdf>

Table of Contents Automatic Generator Start Module Ags Dimensions

1. Understanding the eBook Automatic Generator Start Module Ags Dimensions
 - The Rise of Digital Reading Automatic Generator Start Module Ags Dimensions
 - Advantages of eBooks Over Traditional Books
2. Identifying Automatic Generator Start Module Ags Dimensions
 - Exploring Different Genres
 - Considering Fiction vs. Non-Fiction
 - Determining Your Reading Goals
3. Choosing the Right eBook Platform
 - Popular eBook Platforms
 - Features to Look for in an Automatic Generator Start Module Ags Dimensions
 - User-Friendly Interface
4. Exploring eBook Recommendations from Automatic Generator Start Module Ags Dimensions
 - Personalized Recommendations
 - Automatic Generator Start Module Ags Dimensions User Reviews and Ratings
 - Automatic Generator Start Module Ags Dimensions and Bestseller Lists
5. Accessing Automatic Generator Start Module Ags Dimensions Free and Paid eBooks
 - Automatic Generator Start Module Ags Dimensions Public Domain eBooks
 - Automatic Generator Start Module Ags Dimensions eBook Subscription Services

- Automatic Generator Start Module Aqs Dimensions Budget-Friendly Options
- 6. Navigating Automatic Generator Start Module Aqs Dimensions eBook Formats
 - ePub, PDF, MOBI, and More
 - Automatic Generator Start Module Aqs Dimensions Compatibility with Devices
 - Automatic Generator Start Module Aqs Dimensions Enhanced eBook Features
- 7. Enhancing Your Reading Experience
 - Adjustable Fonts and Text Sizes of Automatic Generator Start Module Aqs Dimensions
 - Highlighting and Note-Taking Automatic Generator Start Module Aqs Dimensions
 - Interactive Elements Automatic Generator Start Module Aqs Dimensions
- 8. Staying Engaged with Automatic Generator Start Module Aqs Dimensions
 - Joining Online Reading Communities
 - Participating in Virtual Book Clubs
 - Following Authors and Publishers Automatic Generator Start Module Aqs Dimensions
- 9. Balancing eBooks and Physical Books Automatic Generator Start Module Aqs Dimensions
 - Benefits of a Digital Library
 - Creating a Diverse Reading Collection Automatic Generator Start Module Aqs Dimensions
- 10. Overcoming Reading Challenges
 - Dealing with Digital Eye Strain
 - Minimizing Distractions
 - Managing Screen Time
- 11. Cultivating a Reading Routine Automatic Generator Start Module Aqs Dimensions
 - Setting Reading Goals Automatic Generator Start Module Aqs Dimensions
 - Carving Out Dedicated Reading Time
- 12. Sourcing Reliable Information of Automatic Generator Start Module Aqs Dimensions
 - Fact-Checking eBook Content of Automatic Generator Start Module Aqs Dimensions
 - Distinguishing Credible Sources
- 13. Promoting Lifelong Learning
 - Utilizing eBooks for Skill Development
 - Exploring Educational eBooks
- 14. Embracing eBook Trends

- Integration of Multimedia Elements
- Interactive and Gamified eBooks

Automatic Generator Start Module Ags Dimensions Introduction

Automatic Generator Start Module Ags Dimensions Offers over 60,000 free eBooks, including many classics that are in the public domain. Open Library: Provides access to over 1 million free eBooks, including classic literature and contemporary works. Automatic Generator Start Module Ags Dimensions Offers a vast collection of books, some of which are available for free as PDF downloads, particularly older books in the public domain. Automatic Generator Start Module Ags Dimensions : This website hosts a vast collection of scientific articles, books, and textbooks. While it operates in a legal gray area due to copyright issues, its a popular resource for finding various publications. Internet Archive for Automatic Generator Start Module Ags Dimensions : Has an extensive collection of digital content, including books, articles, videos, and more. It has a massive library of free downloadable books. Free-eBooks Automatic Generator Start Module Ags Dimensions Offers a diverse range of free eBooks across various genres. Automatic Generator Start Module Ags Dimensions Focuses mainly on educational books, textbooks, and business books. It offers free PDF downloads for educational purposes. Automatic Generator Start Module Ags Dimensions Provides a large selection of free eBooks in different genres, which are available for download in various formats, including PDF. Finding specific Automatic Generator Start Module Ags Dimensions, especially related to Automatic Generator Start Module Ags Dimensions, might be challenging as theyre often artistic creations rather than practical blueprints. However, you can explore the following steps to search for or create your own Online Searches: Look for websites, forums, or blogs dedicated to Automatic Generator Start Module Ags Dimensions, Sometimes enthusiasts share their designs or concepts in PDF format. Books and Magazines Some Automatic Generator Start Module Ags Dimensions books or magazines might include. Look for these in online stores or libraries. Remember that while Automatic Generator Start Module Ags Dimensions, sharing copyrighted material without permission is not legal. Always ensure youre either creating your own or obtaining them from legitimate sources that allow sharing and downloading. Library Check if your local library offers eBook lending services. Many libraries have digital catalogs where you can borrow Automatic Generator Start Module Ags Dimensions eBooks for free, including popular titles. Online Retailers: Websites like Amazon, Google Books, or Apple Books often sell eBooks. Sometimes, authors or publishers offer promotions or free periods for certain books. Authors Website Occasionally, authors provide excerpts or short stories for free on their websites. While this might not be the Automatic Generator Start Module Ags Dimensions full book , it can give you a taste of the authors writing style. Subscription Services Platforms like Kindle Unlimited or Scribd offer subscription-based access to a wide range of Automatic Generator Start Module Ags Dimensions eBooks, including some popular titles.

FAQs About Automatic Generator Start Module Ags Dimensions Books

What is a Automatic Generator Start Module Ags Dimensions PDF? A PDF (Portable Document Format) is a file format developed by Adobe that preserves the layout and formatting of a document, regardless of the software, hardware, or operating system used to view or print it. **How do I create a Automatic Generator Start Module Ags Dimensions PDF?** There are several ways to create a PDF: Use software like Adobe Acrobat, Microsoft Word, or Google Docs, which often have built-in PDF creation tools. Print to PDF: Many applications and operating systems have a "Print to PDF" option that allows you to save a document as a PDF file instead of printing it on paper. Online converters: There are various online tools that can convert different file types to PDF. **How do I edit a Automatic Generator Start Module Ags Dimensions PDF?** Editing a PDF can be done with software like Adobe Acrobat, which allows direct editing of text, images, and other elements within the PDF. Some free tools, like PDFescape or Smallpdf, also offer basic editing capabilities. **How do I convert a Automatic Generator Start Module Ags Dimensions PDF to another file format?** There are multiple ways to convert a PDF to another format: Use online converters like Smallpdf, Zamzar, or Adobe Acrobats export feature to convert PDFs to formats like Word, Excel, JPEG, etc. Software like Adobe Acrobat, Microsoft Word, or other PDF editors may have options to export or save PDFs in different formats. **How do I password-protect a Automatic Generator Start Module Ags Dimensions PDF?** Most PDF editing software allows you to add password protection. In Adobe Acrobat, for instance, you can go to "File" -> "Properties" -> "Security" to set a password to restrict access or editing capabilities. Are there any free alternatives to Adobe Acrobat for working with PDFs? Yes, there are many free alternatives for working with PDFs, such as: LibreOffice: Offers PDF editing features. PDFsam: Allows splitting, merging, and editing PDFs. Foxit Reader: Provides basic PDF viewing and editing capabilities. How do I compress a PDF file? You can use online tools like Smallpdf, ILovePDF, or desktop software like Adobe Acrobat to compress PDF files without significant quality loss. Compression reduces the file size, making it easier to share and download. Can I fill out forms in a PDF file? Yes, most PDF viewers/editors like Adobe Acrobat, Preview (on Mac), or various online tools allow you to fill out forms in PDF files by selecting text fields and entering information. Are there any restrictions when working with PDFs? Some PDFs might have restrictions set by their creator, such as password protection, editing restrictions, or print restrictions. Breaking these restrictions might require specific software or tools, which may or may not be legal depending on the circumstances and local laws.

Find Automatic Generator Start Module Ags Dimensions :

~~business 67-1740 blog monetization strategies America 67-520 blog~~
67-68 VPN services step by step for entrepreneurs 67-907 VPN services

**healthy recipes for beginners United States 67-878 healthy recipes guide
roadmap America 67-2945 ecommerce trends roadmap USA 67-2710 ecommerce
travel guide for small business 67-2028 luxury travel guide for startups
entrepreneurs 67-421 blockchain development step by step United States
for entrepreneurs 67-768 SEO strategy apps for small business 67-1406
hustles roadmap USA 67-284 side hustles roadmap for creators 67-894 side
67-2749 minimalist lifestyle trends America 67-447 minimalist lifestyle
business 67-2874 coding for beginners tips for small business 67-1660
business automation tools for entrepreneurs 67-679 business automation
marketing examples United States 67-1528 content marketing examples
organization best practices for entrepreneurs 67-1518 home organization
small business 67-1837 data science careers guide America 67-1237 data
States 67-842 AI marketing comparison for startups 67-1696 AI marketing**

Automatic Generator Start Module Ags Dimensions :

reinforcement and vocabulary review holt life science - Feb 09 2023

web this on line revelation reinforcement and vocabulary review holt life science as without difficulty as evaluation them wherever you are now steps to an ecology of mind gregory bateson 2000 gregory bateson was a philosopher anthropologist photographer naturalist and poet as well as the husband and collaborator of margaret mead this classic *reinforcement and vocabulary review life science pdf* - Jul 02 2022

web mar 5 2023 this reinforcement and vocabulary review life science but end up in infectious downloads rather than enjoying a good book with a cup of tea in the afternoon instead they juggled with some malicious virus inside their laptop reinforcement and vocabulary review life science is available in our book

california holt science and technology life science reinforcement - Mar 30 2022

web blakebrough harcourt school publishers storytown california eld cncpt rdr grt land ak g4 exc 10 harcourt school publishers the complete guide to point and figure charting the new science of an old art heinrich weber economic aspects of industry and commerce john lloyd hanson light of truth bible study and resource kit matt

reinforcement and vocabulary review life science - Jul 14 2023

web reinforcement and vocabulary review life science using russian vocabulary apr 09 2020 this book provides an in depth structured learning guide to the vocabulary of russian vocabulary workshop jun 04 2022 provides exercises designed to

stimulate vocabulary growth offers specially designed sections to build

[reinforcement and vocabulary review life science pdf](#) - Apr 30 2022

web mar 30 2023 reinforcement and vocabulary review life science 1 5 downloaded from uniport edu ng on march 30 2023

by guest reinforcement and vocabulary review life science if you ally need such a referred reinforcement and vocabulary

review life science books that will meet the

[reinforcement and vocabulary review life science uniport edu](#) - Dec 27 2021

web feb 28 2023 reinforcement and vocabulary review life science when somebody should go to the book stores search

foundation by shop shelf by shelf it is in reality problematic this is why we give the books compilations in this website it will

certainly ease you to look guide reinforcement and vocabulary review life science as you such as

[chapter 2 and 3 reinforcement biology flashcards quizlet](#) - Jan 08 2023

web study with quizlet and memorize flashcards containing terms like living organisms in our world are connected to other in

a variety of ways the branch of biology called is the scientific study of interactions between organisms and their

environments including relationships between living and things all living things on earth can be found in

reinforcement and vocabulary review life science pdf - May 12 2023

web may 21 2023 reinforcement and vocabulary review life science pdf is genial in our digital library an online entrance to

it is set as public hence you can download it instantly our digital library saves in compound countries allowing you to get the

most less

reinforcement and vocabulary review life science pdf - Jun 13 2023

web may 19 2023 reinforcement and vocabulary review life science as one of the most on the go sellers here will

categorically be in the midst of the best options to review recording for the blind dyslexic

[reinforcement vocabulary review worksheets holt science](#) - Apr 11 2023

web jan 1 1999 reinforcement vocabulary review worksheets holt science technology life science paperback january 1 1999

5 0 out of 5 stars 1 rating see all formats and editions

reinforcement learning in artificial and biological systems - Dec 07 2022

web mar 4 2019 biological and artificial agents must achieve goals to survive and be useful this goal directed or hedonistic

behaviour is the foundation of reinforcement learning rl 1 which is learning to

reinforcement and vocabulary review life science copy - Feb 26 2022

web reinforcement and vocabulary review life science 3 3 education professionals these detailed recommendations create a

blueprint for action that builds on a unifying foundation of child development and early learning shared knowledge and

competencies for care and education professionals and principles for effective professional learning

reinforcement and vocabulary review life science download - Mar 10 2023

web reinforcement and vocabulary review life science a literary masterpiece penned with a renowned author readers set about a transformative journey unlocking the secrets and untapped potential embedded within each word

[reinforcement learning an overview sciencedirect topics](#) - Sep 04 2022

web the term reinforcement indicates the process of forming and strengthening of these associations by the reinforcer which encompasses both rewards positive reinforcers and punishments negative reinforcers these associations affect the learner s behavior in a variety of fashions they shape vegetative and automatic responses as a function

reinforcement and vocabulary re holt life science 2023 - Oct 05 2022

web enter the realm of reinforcement and vocabulary re holt life science a mesmerizing literary masterpiece penned by a distinguished author guiding readers on a profound journey to unravel the secrets and potential hidden within every word

reinforcementvocabularyreviewsienceanswer key harvard - Jun 01 2022

web ways to get this books reinforcement vocabulary review science answer key is additionally useful you have remained in right site to begin getting this info acquire the reinforcement vocabulary review science answer key associate that we allow here and check out the reinforcement vocabulary review worksheets k12 workbook feb 19 2022

reinforcement and vocabulary review holt life science - Aug 15 2023

web understanding vocabulary is essential for your child to read and write with confidence practice makes perfect exploring vocabulary gives your child bite sized explanations of the subject with engaging exercises that keep her or him motivated and excited to learn they can practice the vocabulary they

reinforcement and vocabulary review life science download - Nov 06 2022

web reinforcement and vocabulary review life science developing vocabulary and oral language in young children aug 22 2020 this book presents the most effective instructional strategies for promoting vocabulary growth in the early grades when the interdependence of word learning and oral language development is especially strong

life science vocabulary words for kids vocabularyspellingcity - Jan 28 2022

web life science k 8 from tiny bacteria to giant redwood trees life science teaches us about living organisms how they live and where life science is among the most tangible subjects to elementary school science students and a great place to start using science vocabulary word games the elementary school life science worksheets and online

reinforcement and vocabulary review life science - Aug 03 2022

web 4731157 reinforcement and vocabulary review life science 3 7 downloaded from web utu ac id on by guest policy research and practice in the united states science games and puzzles grades 5 8 schyrlet cameron 2012 01 03 connect students in grades 5 8 with science using science games and puzzles this 96 page book

second grade rules amber brown by paula danziger goodreads - Oct 20 2022

web isbn 9781430100737 author danziger paula ross tony ilt series title amber brown binding mixed media product fiction nonfiction fiction subject family friends

second grade rules amber brown paula danziger google - Jan 23 2023

web jul 21 2005 amber brown thinks that second grae rules but when her teacher says desks have to be kept clean amber knows that is one rule she cannot follow she

results for second grade rules amber brown tpt - Jun 27 2023

web 2nd grade rules amber brown by paula danziger is a wonderful book for getting end of year first graders excited for 2nd grade or for starting the school year with a 2nd grade

second grade rules amber brown book 2005 worldcat org - Aug 18 2022

web amber brown second grade rules activities 1 amber brown second grade rules activities the trip orange you glad it s halloween amber brown lost in bermooda

[amber brown second grade rules activities](#) - Apr 13 2022

web may 17 2023 amber brown second grade rules activities secure4 khronos org keywords baker high school cheap and easy back to school crafts and activities for

second grade rules amber brown quiz softschools com - Jun 15 2022

web amber brown second grade rules activities 1 amber brown second grade rules activities getting the books amber brown second grade rules activities now is not

second grade rules amber brown by paula danziger - Feb 21 2023

web amber brown loves the second grade but wonders if she will ever receive an award from deskarina the desk fairy for keeping her desk clean

[second grade rules amber brown penguin random house](#) - Aug 30 2023

web jul 21 2005 amber brown thinks that second grae rules but when her teacher says desks have to be kept clean amber knows that is one rule she cannot follow she

second grade rules amber brown a is for amber - Nov 20 2022

web get this from a library second grade rules amber brown paula danziger tony ross amber brown loves the second grade but wonders if she will ever receive an award

second grade rules amber brown by olivia gamble - Apr 25 2023

web about second grade rules amber brown amber brown thinks that second grae rules but when her teacher says desks have to be kept clean amber knows that is one rule

amber brown 2nd grade teaching resources tpt - May 27 2023

web browse amber brown 2nd grade resources on teachers pay teachers a marketplace trusted by millions of teachers for original educational resources

read aloud book second grade rules amber - Sep 18 2022

web second grade rules amber brown description instructions amber is finding is hard to stay organized she is really having a hard day when her teacher announces that their

teachingbooks second grade rules amber brown - Jul 29 2023

web second grade rules amber brown by paula danziger and tony ross amber brown thinks that second grae rules but when her teacher says desks read more 4 total

[second grade rules amber brown paula danziger google](#) - Dec 10 2021

second grade rules amber brown akj education - Jul 17 2022

web amber brown second grade rules activities is easy to use in our digital library an online access to it is set as public as a result you can download it instantly our digital library

[second grade rules amber brown paula danziger google](#) - Dec 22 2022

web second grade rules amber brown is a fun book about student amber brown s interesting perspective on second grade this book puts a fun and entertaining view on

amber brown second grade rules activities weftamu - Mar 13 2022

web jul 21 2005 amber brown thinks that second grae rules but when her teacher says desks have to be kept clean amber knows that is one rule she cannot follow she

2nd grade rules amber brown teaching resources tpt - Sep 30 2023

web 2nd grade rules amber brown by paula danziger is a wonderful book for getting end of year first graders excited for 2nd grade or for starting the school year with a 2nd grade class it is also useful for introducing the desk fairy if you plan to have a desk fairy

book companion for second grade rules amber - Mar 25 2023

web penguin jul 21 2005 juvenile fiction 48 pages amber brown thinks that second grae rules but when her teacher says desks have to be kept clean amber knows that is one

amber brown second grade rules activities secure4 khronos - Jan 11 2022

amber brown second grade rules activities 2023 - Feb 09 2022

amber brown second grade rules activities ai classmonitor - May 15 2022

web amber brown second grade rules activities amber brown that book woman get ready for second grade amber brown lost in bermooda not for a billion gazillion

fuzzy cmeans clustering github topics github - Mar 26 2023

web this example shows how to perform fuzzy c means clustering on 2 dimensional data for an example that clusters higher dimensional data see fuzzy c means clustering for

[matlab performance of the fuzzy c means clustering algorithm](#) - May 16 2022

matlab fuzzy c mean clustering stack overflow - Dec 23 2022

web jan 31 2023 the fcm function performs fuzzy c means clustering on the input data x with numclusters clusters and fuzziness parameter the output cluster idx is a matrix

matlab initializing fuzzy c means clustering cross validated - Aug 19 2022

web may 5 2016 fuzzy c means keywords 1 introduction traditional pattern recognition involves two tasks unsupervised clustering and supervised classification 1 2 in

[fuzzy c means clustering method file exchange](#) - Apr 26 2023

web jul 5 2020 several state of the art fuzzy clustering algorithms including fuzzy c means clustering fuzzy subspace clustering and maximum entropy clustering algorithms

fast fuzzy c means image segmentation file exchange - Jun 28 2023

web apr 13 2020 this file perform the fuzzy c means fcm algorithm illustrating the results when possible a simple code to help you understand the fcm process and how

fuzzy c means clustering matlab simulink - Feb 22 2023

web mar 24 2016 0 0 0 2k downloads updated thu 24 mar 2016 19 38 26 0000 view license follow download overview functions version history reviews 0 discussions

kernel based fuzzy c means clustering algorithm based on - Jul 18 2022

web dec 21 2019 this file presents a matlab code file and its data for the fuzzy c means you can use it only if you have values that represent x y coordinat system

[fuzzy c means clustering matlab fcm mathworks](#) - Oct 01 2023

web cluster data using fuzzy c means clustering specify fuzzy overlap between clusters configure clustering termination conditions cluster data using multiple cluster counts specify initial estimate of cluster centers input arguments data options output

fuzzy cmeans clustering github topics github - Jul 30 2023

web sep 4 2020 fast n d grayscale image segmenation with c or fuzzy c means c means and fuzzy c means clustering are two very popular image segmentation algorithms

fuzzy c means clustering file exchange matlab - Jan 24 2023

web may 2 2018 one way to use k means and fuzzy c means these are very similar is to run the clustering multiple times and see if any set of centers is found more often than the

pdf fuzzy c means clustering matlab code researchgate - Sep 19 2022

web apr 26 2016 1 answer sorted by 1 i agree with the comment by gung if you get very different results every time not just a permutation of the clusters then this indicates the

fuzzy c means clustering in matlab geeksforgeeks - Nov 21 2022

web may 15 2023 fuzzy c means clustering in potholes detection matlab answers matlab central browse fuzzy c means clustering in potholes detection follow 1 view

fuzzy c means clustering matlab simulink - Aug 31 2023

web feb 23 2023 a python 2 implementation of fuzzy c means clustering algorithm python python2 fuzzy cmeans clustering fuzzy cmeans updated on sep 12 2020 python

fuzzy c means clustering in potholes detection matlab - Oct 21 2022

web mar 22 2016 this video demonstrates matlab code for fuzzy c means clustering segmentation of image 25 million members 160 million publication pages 2 3 billion

fuzzy c means algorithm file exchange matlab - May 28 2023

web mar 16 2016 this is a function of fuzzy c means clustering method input parameters x m n is the data matrix k is the number of clusters q is the fuzzy degree 1 u n k is

pdf fuzzy c means clustering matlab code researchgate - Jun 16 2022

web feb 6 2012 i have implemented a genetic algorithm for a fuzzy c means clustering in matlab its performance should be apriori better than that of the classic fuzzy c means