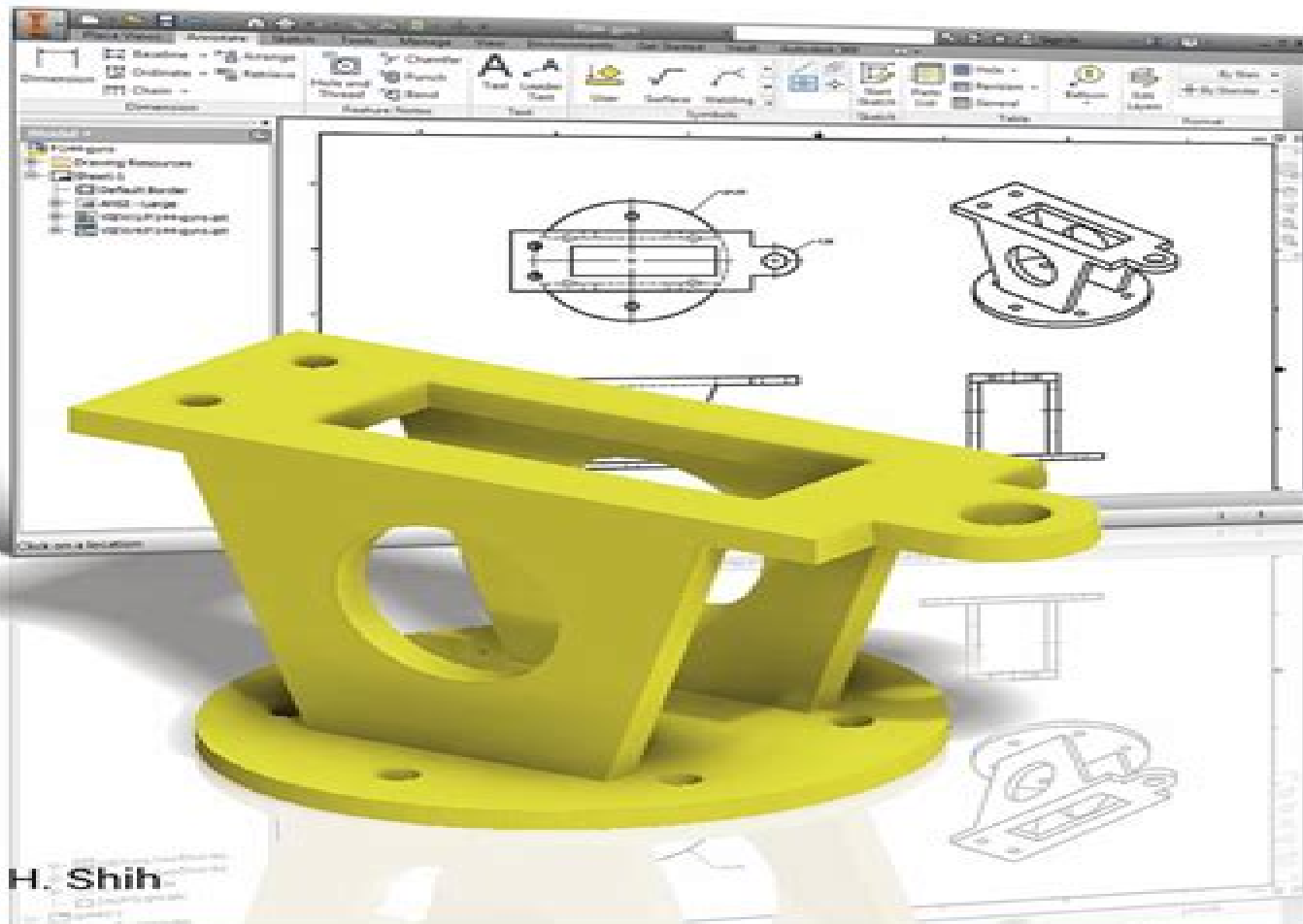


Parametric Modeling with Autodesk® Inventor® 2017



Randy H. Shih

Parametric Modeling With Autodesk Inventor 2017

Randy Shih



Parametric Modeling With Autodesk Inventor 2017:

Parametric Modeling with Autodesk Inventor 2017 Randy Shih, 2016-05 Parametric Modeling with Autodesk Inventor 2017 contains a series of sixteen tutorial style lessons designed to introduce Autodesk Inventor solid modeling and parametric modeling. It uses a hands-on, exercise-intensive approach to all the important parametric modeling techniques and concepts. The lessons guide the user from constructing basic shapes to building intelligent mechanical designs, creating multi-view drawings and assembly models. Other featured topics include sheet metal design, motion analysis, 2D design reuse, collision and contact stress analysis, and the Autodesk Inventor 2017 Certified User Examination. **Parametric Modeling**

with Autodesk Inventor 2024 Randy Shih, 2023-08-16 Designed specifically for beginners with no prior CAD experience. Uses a hands-on, exercise-intensive tutorial style approach. Comes with extensive video instruction. Covers parametric modeling, 3D Modeling, 3D printing, and the Autodesk Inventor Certified User Exam. Contains a chapter introducing you to stress analysis. Parametric Modeling with Autodesk Inventor 2024 contains a series of seventeen tutorial style lessons designed to introduce Autodesk Inventor solid modeling and parametric modeling. It uses a hands-on, exercise-intensive approach to all the important parametric modeling techniques and concepts. The lessons guide the user from constructing basic shapes to building intelligent mechanical designs, to creating multi-view drawings and assembly models. Other featured topics include sheet metal design, motion analysis, 2D design reuse, collision and contact stress analysis, 3D printing, and the Autodesk Inventor 2024 Certified User Examination. Video Training Included with every new copy of this book is access to extensive video training. There are forty-seven videos that total nearly six hours of training in total. This video training parallels the exercises found in the text. However, the videos do more than just provide you with click-by-click instructions. Author Luke Jumper also includes a brief discussion of each tool as well as rich insight into why and how the tools are used. Luke isn't just telling you what to do; he's showing and explaining to you how to go through the exercises while providing clear descriptions of the entire process. It's like having him there guiding you through the book. These videos will provide you with a wealth of information and bring the text to life. They are also an invaluable resource for people who learn best through a visual experience. These videos deliver a comprehensive overview of the tools found in Autodesk Inventor and perfectly complement and reinforce the exercises in the book. *Parametric Modeling with Autodesk Inventor 2025* Randy

Shih, 2024-06 Designed specifically for beginners with no prior CAD experience. Uses a hands-on, exercise-intensive tutorial style approach. Comes with extensive video instruction. Covers parametric modeling, 3D Modeling, 3D printing, and the Autodesk Inventor Certified User Exam. Contains a chapter introducing you to stress analysis. Parametric Modeling with Autodesk Inventor 2025 contains a series of seventeen tutorial style lessons designed to introduce Autodesk Inventor solid modeling and parametric modeling. It uses a hands-on, exercise-intensive approach to all the important parametric modeling techniques and concepts. The lessons guide the user from constructing basic shapes to building intelligent mechanical

designs to creating multi view drawings and assembly models Other featured topics include sheet metal design motion analysis 2D design reuse collision and contact stress analysis 3D printing and the Autodesk Inventor 2025 Certified User Examination Video Training Included with every new copy of this book is access to extensive video training There are forty seven videos that total nearly six hours of training in total This video training parallels the exercises found in the text However the videos do more than just provide you with click by click instructions Author Luke Jumper also includes a brief discussion of each tool as well as rich insight into why and how the tools are used Luke isn t just telling you what to do he s showing and explaining to you how to go through the exercises while providing clear descriptions of the entire process It s like having him there guiding you through the book These videos will provide you with a wealth of information and brings the text to life They are also an invaluable resource for people who learn best through a visual experience These videos deliver a comprehensive overview of the tools found in Autodesk Inventor and perfectly complement and reinforce the exercises in the book

Parametric Modeling with Autodesk Inventor 2018 Randy Shih,2017-09-07 *Parametric Modeling with Autodesk Inventor 2018* contains a series of seventeen tutorial style lessons designed to introduce Autodesk Inventor solid modeling and parametric modeling It uses a hands on exercise intensive approach to all the important parametric modeling techniques and concepts The lessons guide the user from constructing basic shapes to building intelligent mechanical designs creating multi view drawings and assembly models Other featured topics include sheet metal design motion analysis 2D design reuse collision and contact stress analysis 3D printing and the Autodesk Inventor 2018 Certified User Examination

Parametric Modeling with Autodesk Inventor 2019 Randy Shih,2018 *Parametric Modeling with Autodesk Inventor 2019* contains a series of seventeen tutorial style lessons designed to introduce Autodesk Inventor solid modeling and parametric modeling It uses a hands on exercise intensive approach to all the important parametric modeling techniques and concepts The lessons guide the user from constructing basic shapes to building intelligent mechanical designs to creating multi view drawings and assembly models Other featured topics include sheet metal design motion analysis 2D design reuse collision and contact stress analysis 3D printing and the Autodesk Inventor 2019 Certified User Examination Autodesk Inventor 2019 Certified User Examination The content of *Parametric Modeling with Autodesk Inventor 2019* covers the performance tasks that have been identified by Autodesk as being included on the Autodesk Inventor 2019 Certified User examination Special reference guides show students where the performance tasks are covered in the book If you are teaching an introductory level Autodesk Inventor course and you want to prepare your students for the Autodesk Inventor 2019 Certified User Examination this is the only book that you need If your students are not interested in the Autodesk Inventor 2019 Certified User Exam they will still be studying the most important tools and techniques of Autodesk Inventor as identified by Autodesk

Proceedings of the 5th International Conference on Industrial Engineering (ICIE 2019) Andrey A. Radionov,Oleg A. Kravchenko,Victor I. Guzeev,Yurij V. Rozhdestvenskiy,2019-11-30 This book highlights recent findings in industrial

manufacturing and mechanical engineering and provides an overview of the state of the art in these fields mainly in Russia and Eastern Europe A broad range of topics and issues in modern engineering are discussed including the dynamics of machines and working processes friction wear and lubrication in machines surface transport and technological machines manufacturing engineering of industrial facilities materials engineering metallurgy control systems and their industrial applications industrial mechatronics automation and robotics The book gathers selected papers presented at the 5th International Conference on Industrial Engineering ICIE held in Sochi Russia in March 2019 The authors are experts in various fields of engineering and all papers have been carefully reviewed Given its scope the book will be of interest to a wide readership including mechanical and production engineers lecturers in engineering disciplines and engineering graduates

Parametric Modeling with Autodesk Inventor 2022 Randy Shih, Luke Jumper, 2021-06 Parametric Modeling with Autodesk Inventor 2022 contains a series of seventeen tutorial style lessons designed to introduce Autodesk Inventor solid modeling and parametric modeling It uses a hands on exercise intensive approach to all the important parametric modeling techniques and concepts The lessons guide the user from constructing basic shapes to building intelligent mechanical designs to creating multi view drawings and assembly models Other featured topics include sheet metal design motion analysis 2D design reuse collision and contact stress analysis 3D printing and the Autodesk Inventor 2022 Certified User Examination Video Training Included with every new copy of this book is access to extensive video training There are forty seven videos that total nearly six hours of training in total This video training parallels the exercises found in the text However the videos do more than just provide you with click by click instructions Author Luke Jumper also includes a brief discussion of each tool as well as rich insight into why and how the tools are used Luke isn't just telling you what to do he's showing and explaining to you how to go through the exercises while providing clear descriptions of the entire process It's like having him there guiding you through the book These videos will provide you with a wealth of information and brings the text to life They are also an invaluable resource for people who learn best through a visual experience These videos deliver a comprehensive overview of the tools found in Autodesk Inventor and perfectly complement and reinforce the exercises in the book

Proceedings of the 10th International Conference on Industrial Engineering Andrey A. Radionov, Vadim R. Gasiyarov, 2024-07-20 This book highlights recent findings in industrial manufacturing and mechanical engineering and provides an overview of the state of the art in these fields mainly in Russia and Eastern Europe A broad range of topics and issues in modern engineering is discussed including the machinery and mechanism design dynamics of machines and working processes friction wear and lubrication in machines design and manufacturing engineering of industrial facilities transport and technological machines mechanical treatment of materials industrial hydraulic systems This book gathers selected papers presented at the 10th International Conference on Industrial Engineering ICIE held in Sochi Russia in May 2024 The authors are experts in various fields of engineering and all papers

have been carefully reviewed Given its scope this book will be of interest to a wide readership including mechanical and production engineers lecturers in engineering disciplines and engineering graduates [Proceedings of the 9th International Conference on Industrial Engineering](#) Andrey A. Radionov,Vadim R. Gasiyarov,2023-08-28 This book highlights recent findings in industrial manufacturing and mechanical engineering and provides an overview of the state of the art in these fields mainly in Russia and Eastern Europe A broad range of topics and issues in modern engineering is discussed including the machinery and mechanism design dynamics of machines and working processes friction wear and lubrication in machines design and manufacturing engineering of industrial facilities transport and technological machines mechanical treatment of materials industrial hydraulic systems This book gathers selected papers presented at the 9th International Conference on Industrial Engineering ICIE held in Sochi Russia in May 2023 The authors are experts in various fields of engineering and all papers have been carefully reviewed Given its scope this book will be of interest to a wide readership including mechanical and production engineers lecturers in engineering disciplines and engineering graduates [Parametric Modeling with Autodesk Inventor 2020](#) Randy Shih,2019-06 Parametric Modeling with Autodesk Inventor 2020 contains a series of seventeen tutorial style lessons designed to introduce Autodesk Inventor solid modeling and parametric modeling It uses a hands on exercise intensive approach to all the important parametric modeling techniques and concepts The lessons guide the user from constructing basic shapes to building intelligent mechanical designs to creating multi view drawings and assembly models Other featured topics include sheet metal design motion analysis 2D design reuse collision and contact stress analysis 3D printing and the Autodesk Inventor 2020 Certified User Examination Autodesk Inventor 2020 Certified User Examination The content of Parametric Modeling with Autodesk Inventor 2020 covers the performance tasks that have been identified by Autodesk as being included on the Autodesk Inventor 2020 Certified User examination Special reference guides show students where the performance tasks are covered in the book [Tools for Design Using AutoCAD 2017 and Autodesk Inventor 2017](#) Randy Shih,2016 Tools for Design is intended to provide the user with an overview of computer aided design using two popular CAD software packages from Autodesk AutoCAD and Autodesk Inventor This book explores the strengths of each package and shows how they can be used in design both separately and in combination with each other

Parametric Modeling with Autodesk Inventor 2021 Randy Shih,Luke Jumper,2020-07 Parametric Modeling with Autodesk Inventor 2021 contains a series of seventeen tutorial style lessons designed to introduce Autodesk Inventor solid modeling and parametric modeling It uses a hands on exercise intensive approach to all the important parametric modeling techniques and concepts The lessons guide the user from constructing basic shapes to building intelligent mechanical designs to creating multi view drawings and assembly models Other featured topics include sheet metal design motion analysis 2D design reuse collision and contact stress analysis 3D printing and the Autodesk Inventor 2021 Certified User Examination Video Training Included with every new copy of this book is access to extensive video training The video

training parallels the exercises found in the text and are designed to be watched first before following the instructions in the book. However, the videos do more than just provide you with click-by-click instructions. Author Luke Jumper also includes a brief discussion of each tool as well as rich insight into why and how the tools are used. Luke isn't just telling you what to do; he's showing and explaining to you how to go through the exercises while providing clear descriptions of the entire process. It's like having him there guiding you through the book. These videos will provide you with a wealth of information and bring the text to life. They are also an invaluable resource for people who learn best through a visual experience. These videos deliver a comprehensive overview of the tools found in Autodesk Inventor and perfectly complement and reinforce the exercises in the book.

Autodesk Inventor 2021 Certified User Examination: The content of Parametric Modeling with Autodesk Inventor 2021 covers the performance tasks that have been identified by Autodesk as being included on the Autodesk Inventor 2021 Certified User examination. Special reference guides show students where the performance tasks are covered in the book.

Parametric Modeling with Autodesk Inventor 2016 Randy Shih, 2015-05. *Parametric Modeling with Autodesk Inventor 2016* contains a series of sixteen tutorial-style lessons designed to introduce Autodesk Inventor solid modeling and parametric modeling. It uses a hands-on, exercise-intensive approach to all the important parametric modeling techniques and concepts. The lessons guide the user from constructing basic shapes to building intelligent mechanical designs, creating multi-view drawings and assembly models. Other featured topics include sheet metal design, motion analysis, 2D design reuse, collision and contact stress analysis, and the Autodesk Inventor 2016 Certified User Examination.

AutoCAD 2019 Tutorial: First Level 2D Fundamentals Randy Shih, Luke Jumper, 2018-05-31. The primary goal of *AutoCAD 2019 Tutorial: First Level 2D Fundamentals* is to introduce the aspects of Computer Aided Design and Drafting (CADD). This text is intended to be used as a training guide for students and professionals. This text covers AutoCAD 2019 and the lessons proceed in a pedagogical fashion to guide you from constructing basic shapes to making multiview drawings. This textbook contains a series of eleven tutorial-style lessons designed to introduce beginning CAD users to AutoCAD 2019. It takes a hands-on, exercise-intensive approach to all the important 2D CAD techniques and concepts. This text is also helpful to AutoCAD users upgrading from a previous release of the software. The new improvements and key enhancements of the software are incorporated into the lessons. The 2D CAD techniques and concepts discussed in this text are also designed to serve as the foundation to the more advanced parametric feature-based CAD packages such as Autodesk Inventor. The basic premise of this book is that the more designs you create using AutoCAD 2019, the better you learn the software. With this in mind, each lesson introduces a new set of commands and concepts building on previous lessons. This book is intended to help readers establish a good basis for exploring and growing in the exciting field of Computer Aided Engineering.

Video Training Included: With every new copy of *AutoCAD 2019 Tutorial: First Level 2D Fundamentals*, access to extensive video training is provided. The video training parallels the exercises found in the text and are designed to be watched first before following the instructions in the book. However, the

videos do more than just provide you with click by click instructions Author Luke Jumper also includes a brief discussion of each tool as well as rich insight into why and how the tools are used Luke isn t just telling you what to do he s showing and explaining to you how to go through the exercises while providing clear descriptions of the entire process It s like having him there guiding you through the book These videos will provide you with a wealth of information and brings the text to life They are also an invaluable resource for people who learn best through a visual experience These videos deliver a comprehensive overview of the 2D tools found in AutoCAD and perfectly complement and reinforce the exercises in the book AutoCAD 2019 Certified User Examination The content of AutoCAD 2019 Tutorial First Level 2D Fundamentals covers the performance tasks that have been identified by Autodesk as being included on the AutoCAD 2019 Certified User Examination Special reference guides show you where the performance tasks are covered in the book If you are teaching an introductory level AutoCAD course and you want to prepare your students for the AutoCAD 2019 Certified User Examination this is the only book that you need If your students are not interested in the AutoCAD 2019 Certified User Examination they will still be studying the most important tools and techniques of AutoCAD as identified by Autodesk

AutoCAD 2020 Tutorial First Level 2D Fundamentals Randy Shih,Luke Jumper,2019-06 The primary goal of AutoCAD 2020 Tutorial First Level 2D Fundamentals is to introduce the aspects of Computer Aided Design and Drafting CADD This text is intended to be used as a training guide for students and professionals This text covers AutoCAD 2020 and the lessons proceed in a pedagogical fashion to guide you from constructing basic shapes to making multiview drawings This textbook contains a series of eleven tutorial style lessons designed to introduce beginning CAD users to AutoCAD 2020 It takes a hands on exercise intensive approach to all the important 2D CAD techniques and concepts This text is also helpful to AutoCAD users upgrading from a previous release of the software The new improvements and key enhancements of the software are incorporated into the lessons The 2D CAD techniques and concepts discussed in this text are also designed to serve as the foundation to the more advanced parametric feature based CAD packages such as Autodesk Inventor The basic premise of this book is that the more designs you create using AutoCAD 2020 the better you learn the software With this in mind each lesson introduces a new set of commands and concepts building on previous lessons This book is intended to help readers establish a good basis for exploring and growing in the exciting field of Computer Aided Engineering Video Training Included with every new copy of AutoCAD 2020 Tutorial First Level 2D Fundamentals is access to extensive video training The video training parallels the exercises found in the text and is designed to be watched first before following the instructions in the book However the videos do more than just provide you with click by click instructions Author Luke Jumper also includes a brief discussion of each tool as well as rich insight into why and how the tools are used Luke isn t just telling you what to do he s showing and explaining to you how to go through the exercises while providing clear descriptions of the entire process It s like having him there guiding you through the book These videos will provide you with a wealth of information and bring the text to life They

are also an invaluable resource for people who learn best through a visual experience These videos deliver a comprehensive overview of the 2D tools found in AutoCAD and perfectly complement and reinforce the exercises in the book **Advances in Design Engineering** Francisco Cavas-Martínez, Félix Sanz-Adan, Paz Morer Camo, Ruben Lostado Lorza, Jacinto Santamaría Peña, 2020-03-09 This book gathers the papers presented at the XXIX International Congress INGEGRAF The digital transformation in graphic engineering which was held in Logroño Spain on June 20-21 2019 It reports on cutting edge topics in product design and manufacturing such as industrial methods for integrated product and process design innovative design and computer aided design Further topics covered include virtual simulation and reverse engineering additive manufacturing product manufacturing engineering methods in medicine and education representation techniques and design and modeling for nautical engineering and construction aeronautics and aerospace contexts The book is divided into six main sections reflecting the focus and primary themes of the conference The contributions presented here will not only provide researchers engineers and experts in a range of industrial engineering subfields with extensive information to support them in their daily work but will also stimulate new research directions advanced applications of the methods discussed and future interdisciplinary collaborations **Parametric Modeling with Autodesk Inventor 2015** Randy Shih, 2014-06-13 Parametric Modeling with Autodesk Inventor 2015 contains a series of sixteen tutorial style lessons designed to introduce Autodesk Inventor solid modeling and parametric modeling It uses a hands on exercise intensive approach to all the important parametric modeling techniques and concepts The lessons guide the user from constructing basic shapes to building intelligent mechanical designs creating multi view drawings and assembly models Other featured topics include sheet metal design motion analysis 2D design reuse collision and contact stress analysis and the Autodesk Inventor 2015 Certified User Examination **AutoCAD 2021 Tutorial First Level 2D Fundamentals** Randy Shih, 2020-06-10 The primary goal of AutoCAD 2021 Tutorial First Level 2D Fundamentals is to introduce the aspects of Computer Aided Design and Drafting CADD This text is intended to be used as a training guide for students and professionals This text covers AutoCAD 2021 and the lessons proceed in a pedagogical fashion to guide you from constructing basic shapes to making multiview drawings This textbook contains a series of eleven tutorial style lessons designed to introduce beginning CAD users to AutoCAD 2021 It takes a hands on exercise intensive approach to all the important 2D CAD techniques and concepts This text is also helpful to AutoCAD users upgrading from a previous release of the software The new improvements and key enhancements of the software are incorporated into the lessons The 2D CAD techniques and concepts discussed in this text are also designed to serve as the foundation to the more advanced parametric feature based CAD packages such as Autodesk Inventor The basic premise of this book is that the more designs you create using AutoCAD 2021 the better you learn the software With this in mind each lesson introduces a new set of commands and concepts building on previous lessons This book is intended to help readers establish a good basis for exploring and growing in the exciting field of Computer Aided Engineering Video Training

Included with every new copy of AutoCAD 2021 Tutorial First Level 2D Fundamentals is access to extensive video training. The video training parallels the exercises found in the text and is designed to be watched first before following the instructions in the book. However, the videos do more than just provide you with click-by-click instructions. Author Luke Jumper also includes a brief discussion of each tool as well as rich insight into why and how the tools are used. Luke isn't just telling you what to do; he's showing and explaining to you how to go through the exercises while providing clear descriptions of the entire process. It's like having him there guiding you through the book. These videos will provide you with a wealth of information and bring the text to life. They are also an invaluable resource for people who learn best through a visual experience. These videos deliver a comprehensive overview of the 2D tools found in AutoCAD and perfectly complement and reinforce the exercises in the book.

Autodesk Inventor 2017 and Engineering Graphics Randy Shih, 2016-06 Autodesk Inventor 2017 and Engineering Graphics: An Integrated Approach will teach you the principles of engineering graphics while instructing you on how to use the powerful 3D modeling capabilities of Autodesk Inventor 2017. Using step-by-step tutorials, this text will teach you how to create and read engineering drawings while becoming proficient at using the most common features of Autodesk Inventor. By the end, you will be fully prepared to take and pass the Autodesk Inventor Certified User Exam. This text is intended to be used as a training guide for students and professionals. The chapters in this text proceed in a pedagogical fashion to guide you from constructing basic shapes to making complete sets of engineering drawings. This text takes a hands-on, exercise-intensive approach to all the important concepts of Engineering Graphics as well as in-depth discussions of parametric feature-based CAD techniques. This textbook contains a series of fifteen chapters with detailed step-by-step tutorial style lessons designed to introduce beginning CAD users to the graphic language used in all branches of technical industry. This book does not attempt to cover all of Autodesk Inventor 2017's features; only to provide an introduction to the software. It is intended to help you establish a good basis for exploring and growing in the exciting field of Computer Aided Engineering.

Parametric Modeling with Autodesk Inventor 2014 Randy Shih, 2013-05-29 Parametric Modeling with Autodesk Inventor 2014 contains a series of sixteen tutorial style lessons designed to introduce Autodesk Inventor solid modeling and parametric modeling. It uses a hands-on, exercise-intensive approach to all the important parametric modeling techniques and concepts. The lessons guide the user from constructing basic shapes to building intelligent mechanical designs, creating multi-view drawings and assembly models. Other featured topics include sheet metal design, motion analysis, 2D design reuse, collision and contact stress analysis, and the Autodesk Inventor 2014 Certified User Examination.

This is likewise one of the factors by obtaining the soft documents of this **Parametric Modeling With Autodesk Inventor 2017** by online. You might not require more era to spend to go to the book instigation as competently as search for them. In some cases, you likewise realize not discover the pronouncement Parametric Modeling With Autodesk Inventor 2017 that you are looking for. It will no question squander the time.

However below, taking into consideration you visit this web page, it will be thus definitely simple to get as capably as download lead Parametric Modeling With Autodesk Inventor 2017

It will not take many period as we explain before. You can reach it while do its stuff something else at house and even in your workplace. therefore easy! So, are you question? Just exercise just what we come up with the money for below as capably as evaluation **Parametric Modeling With Autodesk Inventor 2017** what you past to read!

https://py.bijouxmedusa.com/public/virtual-library/default.aspx/for_beginners_united_states_42_1825_nft_marketplace_guide_for_creators.pdf

Table of Contents Parametric Modeling With Autodesk Inventor 2017

1. Understanding the eBook Parametric Modeling With Autodesk Inventor 2017
 - The Rise of Digital Reading Parametric Modeling With Autodesk Inventor 2017
 - Advantages of eBooks Over Traditional Books
2. Identifying Parametric Modeling With Autodesk Inventor 2017
 - Exploring Different Genres
 - Considering Fiction vs. Non-Fiction
 - Determining Your Reading Goals
3. Choosing the Right eBook Platform
 - Popular eBook Platforms
 - Features to Look for in an Parametric Modeling With Autodesk Inventor 2017
 - User-Friendly Interface

4. Exploring eBook Recommendations from Parametric Modeling With Autodesk Inventor 2017
 - Personalized Recommendations
 - Parametric Modeling With Autodesk Inventor 2017 User Reviews and Ratings
 - Parametric Modeling With Autodesk Inventor 2017 and Bestseller Lists
5. Accessing Parametric Modeling With Autodesk Inventor 2017 Free and Paid eBooks
 - Parametric Modeling With Autodesk Inventor 2017 Public Domain eBooks
 - Parametric Modeling With Autodesk Inventor 2017 eBook Subscription Services
 - Parametric Modeling With Autodesk Inventor 2017 Budget-Friendly Options
6. Navigating Parametric Modeling With Autodesk Inventor 2017 eBook Formats
 - ePub, PDF, MOBI, and More
 - Parametric Modeling With Autodesk Inventor 2017 Compatibility with Devices
 - Parametric Modeling With Autodesk Inventor 2017 Enhanced eBook Features
7. Enhancing Your Reading Experience
 - Adjustable Fonts and Text Sizes of Parametric Modeling With Autodesk Inventor 2017
 - Highlighting and Note-Taking Parametric Modeling With Autodesk Inventor 2017
 - Interactive Elements Parametric Modeling With Autodesk Inventor 2017
8. Staying Engaged with Parametric Modeling With Autodesk Inventor 2017
 - Joining Online Reading Communities
 - Participating in Virtual Book Clubs
 - Following Authors and Publishers Parametric Modeling With Autodesk Inventor 2017
9. Balancing eBooks and Physical Books Parametric Modeling With Autodesk Inventor 2017
 - Benefits of a Digital Library
 - Creating a Diverse Reading Collection Parametric Modeling With Autodesk Inventor 2017
10. Overcoming Reading Challenges
 - Dealing with Digital Eye Strain
 - Minimizing Distractions
 - Managing Screen Time
11. Cultivating a Reading Routine Parametric Modeling With Autodesk Inventor 2017
 - Setting Reading Goals Parametric Modeling With Autodesk Inventor 2017
 - Carving Out Dedicated Reading Time

12. Sourcing Reliable Information of Parametric Modeling With Autodesk Inventor 2017
 - Fact-Checking eBook Content of Parametric Modeling With Autodesk Inventor 2017
 - Distinguishing Credible Sources
13. Promoting Lifelong Learning
 - Utilizing eBooks for Skill Development
 - Exploring Educational eBooks
14. Embracing eBook Trends
 - Integration of Multimedia Elements
 - Interactive and Gamified eBooks

Parametric Modeling With Autodesk Inventor 2017 Introduction

Parametric Modeling With Autodesk Inventor 2017 Offers over 60,000 free eBooks, including many classics that are in the public domain. Open Library: Provides access to over 1 million free eBooks, including classic literature and contemporary works. Parametric Modeling With Autodesk Inventor 2017 Offers a vast collection of books, some of which are available for free as PDF downloads, particularly older books in the public domain. Parametric Modeling With Autodesk Inventor 2017 : This website hosts a vast collection of scientific articles, books, and textbooks. While it operates in a legal gray area due to copyright issues, its a popular resource for finding various publications. Internet Archive for Parametric Modeling With Autodesk Inventor 2017 : Has an extensive collection of digital content, including books, articles, videos, and more. It has a massive library of free downloadable books. Free-eBooks Parametric Modeling With Autodesk Inventor 2017 Offers a diverse range of free eBooks across various genres. Parametric Modeling With Autodesk Inventor 2017 Focuses mainly on educational books, textbooks, and business books. It offers free PDF downloads for educational purposes. Parametric Modeling With Autodesk Inventor 2017 Provides a large selection of free eBooks in different genres, which are available for download in various formats, including PDF. Finding specific Parametric Modeling With Autodesk Inventor 2017, especially related to Parametric Modeling With Autodesk Inventor 2017, might be challenging as theyre often artistic creations rather than practical blueprints. However, you can explore the following steps to search for or create your own Online Searches: Look for websites, forums, or blogs dedicated to Parametric Modeling With Autodesk Inventor 2017, Sometimes enthusiasts share their designs or concepts in PDF format. Books and Magazines Some Parametric Modeling With Autodesk Inventor 2017 books or magazines might include. Look for these in online stores or libraries. Remember that while Parametric Modeling With Autodesk Inventor 2017, sharing copyrighted material without permission is not legal. Always ensure youre either creating your own or obtaining them from legitimate sources that allow sharing and downloading. Library Check if

your local library offers eBook lending services. Many libraries have digital catalogs where you can borrow Parametric Modeling With Autodesk Inventor 2017 eBooks for free, including popular titles. Online Retailers: Websites like Amazon, Google Books, or Apple Books often sell eBooks. Sometimes, authors or publishers offer promotions or free periods for certain books. Authors Website Occasionally, authors provide excerpts or short stories for free on their websites. While this might not be the Parametric Modeling With Autodesk Inventor 2017 full book, it can give you a taste of the authors writing style. Subscription Services Platforms like Kindle Unlimited or Scribd offer subscription-based access to a wide range of Parametric Modeling With Autodesk Inventor 2017 eBooks, including some popular titles.

FAQs About Parametric Modeling With Autodesk Inventor 2017 Books

How do I know which eBook platform is the best for me? Finding the best eBook platform depends on your reading preferences and device compatibility. Research different platforms, read user reviews, and explore their features before making a choice. Are free eBooks of good quality? Yes, many reputable platforms offer high-quality free eBooks, including classics and public domain works. However, make sure to verify the source to ensure the eBook credibility. Can I read eBooks without an eReader? Absolutely! Most eBook platforms offer web-based readers or mobile apps that allow you to read eBooks on your computer, tablet, or smartphone. How do I avoid digital eye strain while reading eBooks? To prevent digital eye strain, take regular breaks, adjust the font size and background color, and ensure proper lighting while reading eBooks. What the advantage of interactive eBooks? Interactive eBooks incorporate multimedia elements, quizzes, and activities, enhancing the reader engagement and providing a more immersive learning experience. Parametric Modeling With Autodesk Inventor 2017 is one of the best book in our library for free trial. We provide copy of Parametric Modeling With Autodesk Inventor 2017 in digital format, so the resources that you find are reliable. There are also many Ebooks of related with Parametric Modeling With Autodesk Inventor 2017. Where to download Parametric Modeling With Autodesk Inventor 2017 online for free? Are you looking for Parametric Modeling With Autodesk Inventor 2017 PDF? This is definitely going to save you time and cash in something you should think about.

Find Parametric Modeling With Autodesk Inventor 2017 :

for beginners United States 42-1825 NFT marketplace guide for creators
for beginners checklist United States 42-1105 coding for beginners
guide for entrepreneurs 42-696 TikTok marketing ideas for creators

[marketing best practices United States 42-200](#) [AI marketing best United States 42-2254](#) [AI tools tips USA 42-1102](#) [AI tools tips USA 42-998](#) [USA 42-488](#) [small business ideas software for entrepreneurs 42-442](#) [small blueprint United States 42-474](#) [side hustles blueprint for creators creators 42-299](#) [coding for beginners ideas for small business 42-1119](#) [luxury travel review for creators 42-779](#) [luxury travel review for tips trends for creators 42-2764](#) [interview tips trends for small healthy recipes tools for entrepreneurs 42-2528](#) [healthy recipes tools 42-2539](#) [retirement planning blueprint for small business 42-211](#) [42-2873](#) [credit score improvement tips USA 42-1599](#) [credit score hacks checklist for startups 42-20](#) [productivity hacks comparison America](#)
YouTube growth best practices USA 42-2561 **YouTube growth best practices**

Parametric Modeling With Autodesk Inventor 2017 :

I accademia veneziana della fama 1557 1561 storia cultura e - Jan 24 2022

web may 9 2023 [I accademia veneziana della fama 1557 1561 storia cultura e](#) editoria by valeria guarna pdf libro e entrare nel suo cuore senza uscire di testa full text of lessico veneto che contiene l antica libri vecchiarrelli catalogo libri vecchiarrelli unilibro valeria guarna storia della musica maison d art l accademia veneziana della fama 1557

accademia I veneziana della fama vecchiarrelli editore - Apr 07 2023

web l accademia veneziana della fama 1557 1561 storia cultura e editoria con l edizione della somma delle opere 1558 e altri documenti inediti autore valeria guarna pagine 324 formato 15 21 cm anno 2018 isbn 978 88 8247 408 9

[l accademia veneziana della fama 1557 1561 storia cultura e](#) - Oct 01 2022

web abebooks com l accademia veneziana della fama 1557 1561 storia cultura e editoria con l edizione della summa delle opere 1558 e altri documenti inediti 9788882474089 by valeria guarna and a great selection of similar new used and collectible books available now at great prices

[l accademia veneziana della fama 1557 1561 storia cultura e](#) - Aug 31 2022

web storia mondiale di un anno pdf 1936 le olimpiadi di hitler i fatti pdf 1940 45 guerra e società nella provincia di torino pdf 1943 1945 attendere subire scegliere nuove linee di ricerca sul periodo della resistenza bresciana pdf 20 anni ferrari club pdf 55 anni di emozioni una bella storia che continua pdf

I accademia veneziana della fama 1557 1561 storia cultura e - Jan 04 2023

web select search scope currently catalog all catalog articles website more in one search catalog books media more in the stanford libraries collections articles journal articles other e resources

l accademia veneziana della fama 1557 1561 storia cultura e - Jun 09 2023

web l accademia veneziana della fama 1557 1561 storia cultura e editoria è un libro di valeria guarna pubblicato da vecchiarelli nella collana cinquecento testi e studi letter ital acquista su ibs a 40 00

academy of fame springerlink - Jun 28 2022

web nov 5 2018 guarna valeria 2018 l accademia veneziana della fama 1557 1561 storia cultura e editoria con l edizione della somma delle opere 1558 e altri documenti inediti manziana vecchiarelli google scholar italian academies database 2006 bl uk catalogues italianacademies in ed lorenza gianfrancesco and simone

l accademia veneziana della fama 1557 1561 storia cultura e - Apr 26 2022

web valeria guarna l accademia veneziana della fama 1557 1561 storia battaglia di anghiari storia di leonardo da vinci marquer la ville l académie et la ville représentation

accademia veneziana wikipedia - Mar 06 2023

web l accademia veneziana nota anche come accademia della fama per via della propria marca editoriale è stata un istituzione culturale e scientifica nonché una casa editrice attiva a venezia nella seconda metà del xvi secolo

l accademia veneziana della fama 1557 1561 storia copy - May 28 2022

web l accademia veneziana della fama 1557 1561 storia 1 7 downloaded from uniport edu ng on may 3 2023 by guest l accademia veneziana della fama 1557 1561 storia yeah reviewing a ebook l accademia veneziana della fama 1557 1561 storia could go to your close friends listings this is just one of the solutions for you to be successful

pdf l accademia veneziana della fama 1557 1561 storia - Sep 12 2023

web fondata nel 1557 dal patrizio veneziano federico badoer e chiusa d autorità nel 1561 l accademia venetiana o della fama fu una delle iniziative più audaci e innovative del cinquecento italiano pur nella sua breve durata l esperienza

l accademia veneziana della fama 1557 1561 storia cultura e - Jul 30 2022

web jun 7 2023 you could swiftly fetch this l accademia veneziana della fama 1557 1561 storia cultura e editoria by valeria guarna after securing special yet below when you visit this web page it will be suitably no question easy to get as without difficulty as obtain manual l accademia veneziana della fama 1557 1561 storia cultura e editoria by

l accademia veneziana della fama 1557 1561 storia copy - Aug 11 2023

web storia delle accademie d italia la storia di venezia nella vita privata dalle origini alla caduta della repubblica sfere terrestri e celesti di autore italiano l accademia veneziana della fama 1557 1561 le istituzioni armoniche esercitazioni scientifiche e letterarie dell ateneo di venezia

academy of fame springerlink - Dec 03 2022

web oct 28 2022 l accademia veneziana della fama 1557 1561 storia cultura e editoria con l edizione della somma delle opere 1558 e altri documenti inediti manziana vecchiarelli google scholar italian academies database 2006 bl uk catalogues italianacademies eds

read free l accademia veneziana della fama 1557 1561 storia - Nov 02 2022

web aug 10 2023 l accademia veneziana della fama 1557 1561 the world of girolamo donzellini the gallery of memory encyclopedia of veneziana della fama 1557 1561 storia what you afterward to read as recognized adventure as capably as experience approximately lesson amusement as well as bargain can be gotten by just checking

l accademia veneziana della fama 1557 1561 storia cultura e - Mar 26 2022

web l accademia veneziana della fama 1557 1561 storia cultura e editoria by valeria guarna marquer la ville l académie et la ville représentation may 26th 2020 17 giuseppe turrini l accademia filarmonica di verona dalla fondazione al 1600 e il suo patrimonio musicale antico véronne la tipografica

l accademia veneziana della fama 1557 1561 storia cultura e - Jul 10 2023

web veneziana della fama 1557 1561 storia cultura e editoria by valeria guarna pdf l accademia veneziana della fama 1557 1561 storia libri may 13th 2020 l accademia veneziana della fama 1557 1561 storia cultura e editoria è un libro di guarna valeria edito da whichissed visionaustralia org 2 10 vecchiarelli a luglio 2018 ean

l accademia veneziana della fama 1557 1561 storia cultura e - Feb 22 2022

web l accademia veneziana della fama 1557 1561 storia cultura e editoria libro di valeria guarna sconto 5 e spedizione con corriere a solo 1 euro acquistalo su libreriauniversitaria it pubblicato da vecchiarelli collana cinquecento testi e studi letter ital data pubblicazione

l accademia veneziana della fama 1557 1561 storia pdf - Feb 05 2023

web jun 8 2023 l accademia veneziana della fama 1557 1561 storia 1 5 downloaded from uniport edu ng on june 8 2023 by guest l accademia veneziana della fama 1557 1561 storia as recognized adventure as competently as experience very nearly lesson amusement as competently as union can be gotten by just checking out a book l

l accademia veneziana della fama 1557 1561 storia pdf - May 08 2023

web it will no question ease you to look guide l accademia veneziana della fama 1557 1561 storia as you such as by searching the title publisher or authors of guide you essentially want you can discover them rapidly veneziana della fama 1557 1561 storia as a result simple archivio veneto tridentino 2003 storia della cultura veneta 1983

animal cells comprehension passages middle school - Mar 03 2022

web animal cells comprehension passages middle school 3 3 resolution color images clearly depict the diagnostic features of

hundreds of conditions new introduction to the diagnostic process chapter illustrates the whole animal perspective and details the approaches to systemic multi system and polymicrobial disease new coverage of

literacy foundations science biology open school - May 17 2023

web 5 plant cells have these but animal cells do not a cell membranes b cell walls c cytoplasm d a nucleus 6 the layer that surrounds a cell and lets some things pass in and out of it is a blubber b cell wall c epidermis d cell membrane 7 thread like structures inside the nucleus of a living cell containing strands of dna are a

animal cells comprehension passages middle school - Sep 09 2022

web comprehension passages middle school animal articles reading comprehension animal cells comprehension passages middle school animal and plant cells worksheets by sabir1 teaching animal cells comprehension passages middle school free parts of a cell worksheet worksheets tataiza free animal cells

plant and animal cells reading comprehension tpt - Feb 14 2023

web the leveled science reading passages cover every middle school standard for texas teks and ngss and are designed to engage your middle school science students with an article questions and a mini project what s included the science passages are appropriate for grades 6 8 middle school and higher level 5th graders lexile levels

animal cells comprehension passages orientation sutd edu sg - Oct 10 2022

web animal cells comprehension passages animal cells comprehension passages current and past strategies for bacterial culture in middle school worksheets amp free printables education com cbcs regulations and syllabi for i amp ii semester b sc instructions for authors anesthesiology asa publications science reading

animal cells comprehension passages middle school - Jul 07 2022

web animal cells comprehension passages middle school plant and animal cells worksheets for middle and high cross curricular reading comprehension worksheets e2 of

plant and animal cell worksheets edhelper com - Aug 08 2022

web worksheets and no prep teaching resources science worksheets plant and animal cell worksheets all living things are made up of one or more cells all cells come from existing cells which carry chemical instructions to make new copies of themselves most cells have several organelles little organs that carry out particular jobs

animal cells cells without walls edhelper - Dec 12 2022

web animal cells do not have a cell wall they have a thin cell membrane that forms the outside of the cell plants have a cell membrane too but it is covered by the cell wall the cell membrane holds all of the parts of the cell together the cell membrane is thin and flexible it allows the cell to bend and change shapes

comprehension animal cells teaching resources teachers - Jan 13 2023

web browse comprehension animal cells resources on teachers pay teachers a marketplace trusted by millions of teachers for original educational resources

[animal and plant cells reading comprehension passage and](#) - Oct 22 2023

web jun 1 2023 this reading comprehension passage is about animal and plant cells through this passage students will learn about questions like what is cells and tissue what is the difference between eukaryotes and prokaryotes what is the difference between plant and animal cells what is cytoplasm cell membrane and organelles what is

the cell reading comprehension softschools com - Jun 18 2023

web the cell the basic units of structure for all living organisms are cells all living things are made up of cells every person animal and plant as well as tiny organisms that can only be seen under a microscope are made up of cells living organisms may be made up of billions and billions of cells or a single cell

animal and plant cells reading comprehension softschools com - Sep 21 2023

web plant cells have two functions which are not required of animal cells one of them is photosynthesis a process plants use to produce their own food the second function of cells is supporting its own weight which most animals do by means of a skeleton a cell wall is found only in plant cells and it includes a layer of cellulose fiber for its

animal cells comprehension passages middle school - Jul 19 2023

web animal cells comprehension passages middle school ebook april 24th 2018 related book ebook pdf animal cells comprehension passages middle school atlas copco gx 2 ff parts manual atlas copco model xas90jd instruction manual the cell reading comprehension softschools com april 30th 2018 the cell the basic

[animal cells comprehension passages middle school 2022](#) - May 05 2022

web animal cells comprehension passages middle school downloaded from ai classmonitor com by guest benton singleton reading grade 6 edugorilla the critical reading section on standardized tests especially the sat 1 exam is often cited as a trouble section for even the best test takers examinees get test targeted reading

what s in your cells 5th grade reading comprehension - Mar 15 2023

web this passage describes how living things are made up of cells and cells have specific structure cross curricular focus life science this worksheet is in line with common core standards for 5th 7th grade key ideas and details but may also be used for other grades the passage s lexile level is 970

[animal cell reading passage lesson plans worksheets](#) - Aug 20 2023

web school access your school or and dna the passage attached to this life science reading comprehension worksheet is all about cells after reading about diffusion and osmosis kids answer a series of for students 3rd 4th standards the animal kingdom is full of interesting organisms that have unique ways of surviving children read

animal and plant cells reading comprehension passage and questions tpt - Nov 11 2022

web this reading comprehension passage is about animal and plant cells through this passage students will learn about questions like what is cells and tissue what is the difference between eukaryotes and prokaryotes what is the difference between plant and animal cells what is cytoplasm cell memb

animal cells comprehension passages middle school keith - Apr 04 2022

web we give animal cells comprehension passages middle school and numerous ebook collections from fictions to scientific research in any way along with them is this animal cells comprehension passages middle school that can be your partner

animal cells reading teaching resources teachers pay - Apr 16 2023

web this reading discusses the differences between plant and animal cells it is designed for middle school science students who are low readers or english language learners readability is at the third to fifth grade level three easy to answer short response questions are included

free pdf download animal cells comprehension passages middle school - Jun 06 2022

web animal cells comprehension passages middle school the development of middle school passage reading fluency measures for use in a progress monitoring assessment system technical report 46 jul 19 2021 this technical report describes the development of progress monitoring measures in the area of reading comprehension

the shadow world inside the global arms trade amazon es - Dec 27 2021

web the shadow world inside the global arms trade fiell charlotte peter amazon es libros libros historia historia militar nuevo 12 46 precio final del producto y devoluciones gratis entrega gratis el lunes 5 de diciembre en tu primer pedido ver detalles entrega más rápida el domingo 4 de diciembre

shadow world inside the global arms trade amazon com tr - Dec 07 2022

web the shadow world is the behind the scenes tale of the global arms trade exposing in forensic detail the deadly collusion that all too often exists among senior politicians weapons manufacturers felonious arms dealers and the military a situation that compromises our security and undermines our democracy

the shadow world inside the global arms trade amazon com - Mar 10 2023

web nov 8 2011 the shadow world is the harrowing behind the scenes tale of the global arms trade revealing the deadly collusion that all too often exists among senior politicians weapons manufacturers felonious arms dealers and the military a situation that compromises our security and undermines our democracy

the shadow world inside the global arms trade google books - Apr 30 2022

web nov 8 2011 the shadow world presents the behind the scenes tale of the global arms trade exposing in forensic detail the deadly collusion that too often exists among senior politicians weapons

the shadow world inside the global arms trade feinstein - Jun 13 2023

web english xxx 672 pages 24 cm here is the harrowing behind the scenes tale of the global arms trade revealing the deadly collusion among senior politicians weapons manufacturers felonious arms dealers and the military that compromises our security and undermines our democracy

the shadow world inside the global arms trade european - Nov 06 2022

web in this compelling critique corruption watchdog andrew feinstein argues that the military industrial complex is riddled with corruption and bribery feinstein outlines the sordid history of arms deals in recent decades focusing on dubious deals involving saudi arabia and south africa the author makes his biases clear but still serves up a detailed thought

the shadow world inside the global arms trade google books - Sep 04 2022

web andrew feinstein former member of the african national congress investigates the secretive world of the global arms trade in his gripping new book the shadow world feinstein reveals

the shadow world inside the global arms trade columbia - Jul 02 2022

web november 20 2012 in shadow world a book on the global arms trade author andrew feinstein argues that there is only a thin line between what constitutes legal and illegal with bribery and corruption de rigueur he writes there are very few arms transactions that are entirely above board

the shadow world inside the global arms trade - Feb 09 2023

web nov 29 2011 00 00 buffered 00 00 in 2010 global military expenditure was roughly 1 6 trillion that s 235 for every person on earth this has profound impacts from the perpetuation of conflict to the corrosion of democracy to massive socioeconomic costs

pdf epub the shadow world inside the global arms trade - Feb 26 2022

web jan 28 2021 full book name the shadow world inside the global arms trade author name andrew feinstein book genre business crime economics history journalism military military fiction military history mystery nonfiction politics war writing isbn 9780374208387 edition language english

the shadow world inside the global arms trade amazon com tr - Jan 08 2023

web a gripping and urgent investigation into the secretive world of the global arms trade from a former member of the african national congress revealing the corruption and the cover ups at the heart of ex president jacob zuma s south africa andrew feinstein delves behind bae s controversial transactions in south africa tanzania and eastern

the shadow world inside the global arms trade paperback - Jan 28 2022

web product details isbn 10 1868423328 isbn 13 978 1868423323 item weight 901 g customer reviews 102 ratings about the author

[the shadow world inside the global arms trade worldcat org](#) - Oct 05 2022

web the shadow world inside the global arms trade authors andrew feinstein author gildart jackson tantor media summary the harrowing behind the scenes tale of the global arms trade feinstein reveals the deadly collusion that all too often exists among senior politicians weapons manufacturers felonious arms dealers and the military

[the shadow world inside the global arms trade pdf scribd](#) - Mar 30 2022

web chilling heartbreaking and enraging arundhati roy the shadow world is the behind the scenes tale of the global arms trade exposing in forensic detail the deadly collusion that all too often exists among senior politicians weapons manufacturers felonious arms dealers and the military a situation that compromises our security and under

[the shadow world inside the global arms trade paperback](#) - Jul 14 2023

web revealing the corruption and the cover ups at the heart of ex president jacob zuma s south africa andrew feinstein delves behind bae s controversial transactions in south africa tanzania and eastern europe and the revolving door relationships that characterise the us congressional military industrial complex

the shadow world inside the global arms trade amazon com - May 12 2023

web nov 27 2012 andrew feinstein reveals the cover ups behind a range of weapons deals from the largest in history between the british and saudi governments to the guns for diamonds deals in africa and the current 60 billion

shadow world shocking inside story of global arms trade pbs - Aug 15 2023

web nov 20 2017 johan grimonprez explore the shocking realities of the billion dollar global arms trade through those who perpetrate and investigate it explore the film about the documentary

[the shadow world inside the global arms trade google books](#) - Jun 01 2022

web the shadow world is the harrowing behind the scenes tale of the global arms trade revealing the deadly collusion that all too often exists among senior politicians weapons

[the shadow world inside the global arms trade abebooks](#) - Aug 03 2022

web the shadow world is the harrowing behind the scenes tale of the global arms trade revealing the deadly collusion that all too often exists among senior politicians weapons manufacturers felonious arms dealers and the military a situation that compromises our security and undermines our democracy

the shadow world inside the global arms trade - Apr 11 2023

web the shadow world inside the global arms trade by feinstein andrew 1964 publication date 2011 topics arms transfers defense industries publisher new york farrar straus giroux contributor internet archive language english xxx 672 p 24 cm included bibliographical references p 537 641 and index access restricted item true