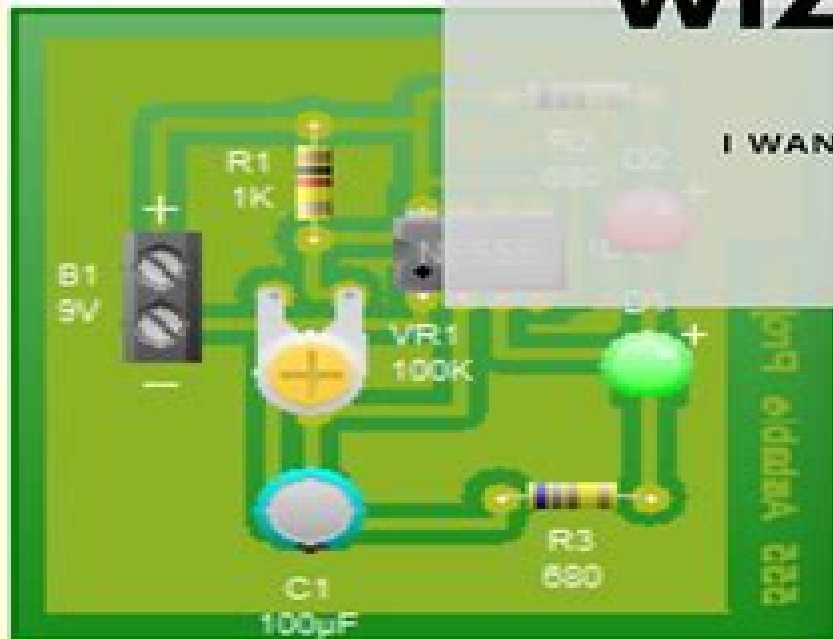
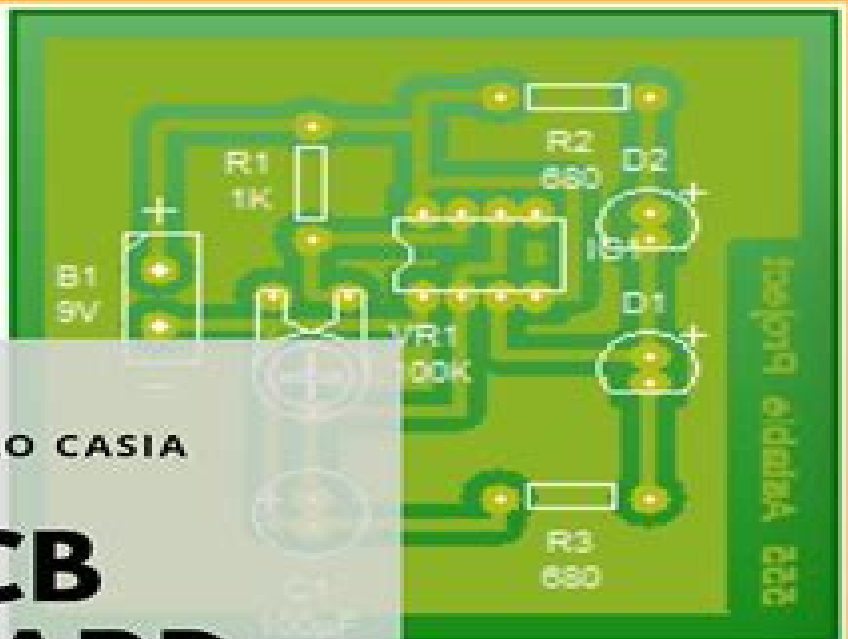
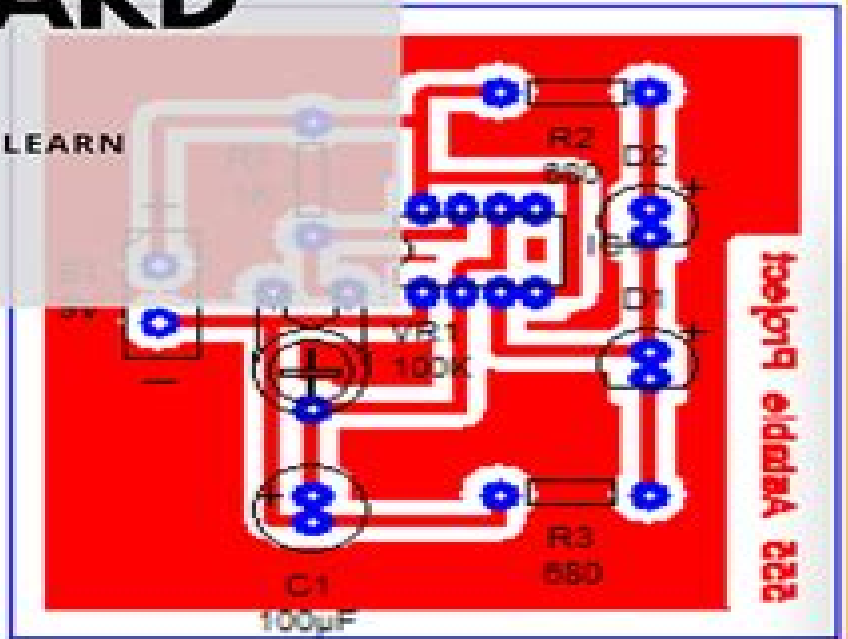


BY DANILLO CASIA

PCB WIZARD



I WANT LEARN



Pcb Wizard Tutorial 1

CO Houle



Pcb Wizard Tutorial 1:

Complete PCB Design Using OrCad Capture and Layout Kraig Mitzner, 2011-04-01 Complete PCB Design Using OrCad Capture and Layout provides instruction on how to use the OrCAD design suite to design and manufacture printed circuit boards The book is written for both students and practicing engineers who need a quick tutorial on how to use the software and who need in depth knowledge of the capabilities and limitations of the software package There are two goals the book aims to reach The primary goal is to show the reader how to design a PCB using OrCAD Capture and OrCAD Layout Capture is used to build the schematic diagram of the circuit and Layout is used to design the circuit board so that it can be manufactured The secondary goal is to show the reader how to add PSpice simulation capabilities to the design and how to develop custom schematic parts footprints and PSpice models Often times separate designs are produced for documentation simulation and board fabrication This book shows how to perform all three functions from the same schematic design This approach saves time and money and ensures continuity between the design and the manufactured product Information is presented in the exact order a circuit and PCB are designed Straightforward realistic examples present the how and why the designs work providing a comprehensive toolset for understanding the OrCAD software Introduction to the IPC JEDEC and IEEE standards relating to PCB design Full color interior and extensive illustrations allow readers to learn features of the product in the most realistic manner possible [Complete PCB Design Using OrCAD Capture and PCB Editor](#) Kraig

Mitzner, 2009-05-28 This book provides instruction on how to use the OrCAD design suite to design and manufacture printed circuit boards The primary goal is to show the reader how to design a PCB using OrCAD Capture and OrCAD Editor Capture is used to build the schematic diagram of the circuit and Editor is used to design the circuit board so that it can be manufactured The book is written for both students and practicing engineers who need in depth instruction on how to use the software and who need background knowledge of the PCB design process Beginning to end coverage of the printed circuit board design process Information is presented in the exact order a circuit and PCB are designed Over 400 full color illustrations including extensive use of screen shots from the software allow readers to learn features of the product in the most realistic manner possible Straightforward realistic examples present the how and why the designs work providing a comprehensive toolset for understanding the OrCAD software Introduces and follows IEEE IPC and JEDEC industry standards for PCB design Unique chapter on Design for Manufacture covers padstack and footprint design and component placement for the design of manufacturable PCB s FREE CD containing the OrCAD demo version and design files

Thermal Analysis with SolidWorks Simulation 2014 Paul Kurowski, 2014 Thermal Analysis with SolidWorks Simulation 2014 goes beyond the standard software manual It concurrently introduces the reader to thermal analysis and its implementation in SolidWorks Simulation using hands on exercises A number of projects are presented to illustrate thermal analysis and related topics Each chapter is designed to build on the skills and understanding gained from previous exercises

Thermal Analysis with SolidWorks Simulation 2014 is designed for users who are already familiar with the basics of Finite Element Analysis FEA using SolidWorks Simulation or who have completed the book Engineering Analysis with SolidWorks Simulation 2014 Thermal Analysis with SolidWorks Simulation 2014 builds on these topics in the area of thermal analysis Some understanding of FEA and SolidWorks Simulation is assumed Desarrollo y Construcción de Prototipos Electrónicos Ángel Bueno Martín, Ana I. de Soto Gorroño, 2005-09-15 Este manual es una guía que proporciona instrucciones completas y detalladas para el uso de los programas OrCAD Capture Layout plus y LPKF CircuitCAM BoardMaster de diseño y construcción de prototipos electrónicos respectivamente Pretendemos familiarizar al lector con el entorno de trabajo CAD CAM electrónico a través del software propuesto Junto a las indicaciones que ayudan a adquirir la destreza en el manejo de las herramientas informáticas orientadas al diseño electrónico en este libro se dan una serie de consejos y observaciones de interés que facilitan el trabajo y aclaran las dudas que con frecuencia le surgen al principiante haciendo hincapié en la correcta obtención y presentación de resultados informes planos fotolitos etc Respecto a la metodología cabe destacar su carácter de tutorial es decir se propone un ejemplo que servir de hilo conductor para ir completando las fases que conforman la base de datos del diseño Cada tema está desarrollado gradualmente explicando los comandos e instrucciones allí donde aparecen por vez primera Se acompañan numerosas ventanas pantallas aclaratorias aportaciones prácticas y explicaciones adicionales en aras a facilitar la comprensión de lo expuesto Se trata en definitiva de un método que ayuda en la realización de un trabajo organizado y eficaz que facilita la labor del profesor y el aprendizaje del alumno MATERIALES ADICIONALES EN APARTADO DE DESCARGAS DEL WEB MARCOMBO.COM **PC Mag**, 1993-06-29 PCMag.com is a leading authority on technology delivering Labs based independent reviews of the latest products and services Our expert industry analysis and practical solutions help you make better buying decisions and get more from technology **Byte**, 1984 **Microtimes**, 1993-04 Macworld, 1989 *Sound & Vibration*, 2000 **PC/Computing**, 1993-07 **SolidWorks práctico II - 2.ª edición** Sergio Gómez González, 2024-06-19 Si es un estudiante o un diseñador novel que desea adentrarse en el diseño y validación de productos mecánicos con SolidWorks con el objetivo de crear máquinas mecanismos productos o modelos para impresión 3D ha llegado al libro indicado SolidWorks práctico II es una compilación de prácticas guiadas y ejercicios de examen diseñados por el autor para sus clases universitarias en la Universidad Politécnica de Cataluña EEBE UPC Estas prácticas abarcan una amplia gama de complementos como Routing Motion Simulation FlowSimulation Photoview SolidCAM DMFXpress entre otros El contenido del libro se caracteriza por su enfoque visual y práctico lo que facilita la lectura con abundantes ilustraciones que detallan las etapas necesarias para utilizar los complementos de SolidWorks en el diseño y validación de productos más eficientes seguros y económicos Además en el libro encontrar el código de acceso que le permitirá descargar de forma gratuita los contenidos adicionales desde www.marcombo.info que incluyen los modelos descritos a lo largo de la obra Esta segunda edición también cuenta con el acceso gratuito al Curso de SolidWorks Simulation Flow

Simulation y otros complementos Dicho curso est valorado en 35 y se compone de 54 videos con una duraci n total de 8 horas para que profundice en el entorno las aplicaciones y las funcionalidades de Solidworks el dise o de chapa met lica el dise o de moldes para inyecci n de pl sticos las simulaciones de inyecci n de pl sticos SolidWorks Plastics el dise o de estructura met lica y soldadura biblioteca de dise o y Toolbox PhotoViewer 360 imagen sint tica FeatureWorks SolidWorks Costing sostenibilidad FDMXpress entre otros Al finalizar el curso podr realizar un proyecto para conseguir la certificaci n de realizaci n del curso H gase con este libro y saque provecho de SolidWorks el software CAD CAM CAE que le permitir adem s de modelar piezas ensamblar conjuntos y crear planos validar sus dise os para realizar productos m s seguros y eficientes

PC Magazine ,2001

Applied Science & Technology Index ,1997

InfoWorld ,1986

PCB Design & Layout

For DIY Etching A B Lawal,2021-03-14 In this tutorial you will learn step by step how to use Ultiboard to route and make a single layer Printed Circuit Board layout that you can print out on paper Finally you will learn with demo videos a very inexpensive DIY method for transferring your layout to a Copper Clad board that you can etch and solder manually No heat transfer is involved After reading and completing the simple demo projects in this book you will learn many features of Ultiboard very fast and very effectively without getting overwhelmed You will not need to export any files or send gerbers to a PCB manufacturer fabricator We will be using the National Instruments Ultiboard and Multism PCB Design suite which I found to be the best among several others I have used Any of the versions 12 13 and 14 of this suite works perfectly well There is a link in this book for you to download a hassle free trial version of the suite that you can use for many days to learn and practice many projects of your own Merely having the Ultiboard user manual or referring to its help contents is far from sufficient in becoming a skillful PCB designer Therefore this book is extremely useful for building PCB design skills very fast First it will give you a big head start if you have never designed a PCB layout before Then it will teach you more advanced techniques you need to learn design and build anything from simple to complex PCB layouts using mostly Ultiboard Finally if you have questions or need further help I urge you to use the support link I provided in the last Chapter of this book I will get back to you very quickly

Complete PCB Design Using OrCAD Capture and PCB Editor Kraig Mitzner,Bob

Doe,Alexander Akulin,Anton Suponin,Dirk Müller,2019-06-20 Complete PCB Design Using OrCAD Capture and PCB Editor Second Edition provides practical instruction on how to use the OrCAD design suite to design and manufacture printed circuit boards Chapters cover how to Design a PCB using OrCAD Capture and OrCAD PCB Editor adding PSpice simulation capabilities to a design how to develop custom schematic parts how to create footprints and PSpice models and how to perform documentation simulation and board fabrication from the same schematic design This book is suitable for both beginners and experienced designers providing basic principles and the program s full capabilities for optimizing designs Companion site <https://www.elsevier.com/books-and-journals/book-companion/9780128176849> Presents a fully updated edition on OrCAD Capture Version 17.2 Combines the theoretical and practical parts of PCB design Includes real life design

examples that show how and why designs work providing a comprehensive toolset for understanding OrCAD software
Provides the exact order in which a circuit and PCB are designed Introduces the IPC JEDEC and IEEE standards relating to
PCB design *Printed Circuit Boards* R. S. Khandpur,2005-09-07 The printed circuit is the basic building block of the
electronics hardware industry This is a comprehensive single volume self teaching guide to the art of printed circuit board
design and fabrication covering the complete cycle of PCB creation design layout fabrication assembly and testing

Pcb Wizard Tutorial 1 Book Review: Unveiling the Magic of Language

In an electronic era where connections and knowledge reign supreme, the enchanting power of language has become more apparent than ever. Its power to stir emotions, provoke thought, and instigate transformation is actually remarkable. This extraordinary book, aptly titled "**Pcb Wizard Tutorial 1**," published by a highly acclaimed author, immerses readers in a captivating exploration of the significance of language and its profound effect on our existence. Throughout this critique, we shall delve to the book is central themes, evaluate its unique writing style, and assess its overall influence on its readership.

https://py.bijouxmedusa.com/data/detail/default.aspx/English_Grammar_Fourth_Edition_Betty_S_Azar.pdf

Table of Contents Pcb Wizard Tutorial 1

1. Understanding the eBook Pcb Wizard Tutorial 1
 - The Rise of Digital Reading Pcb Wizard Tutorial 1
 - Advantages of eBooks Over Traditional Books
2. Identifying Pcb Wizard Tutorial 1
 - Exploring Different Genres
 - Considering Fiction vs. Non-Fiction
 - Determining Your Reading Goals
3. Choosing the Right eBook Platform
 - Popular eBook Platforms
 - Features to Look for in an Pcb Wizard Tutorial 1
 - User-Friendly Interface
4. Exploring eBook Recommendations from Pcb Wizard Tutorial 1
 - Personalized Recommendations
 - Pcb Wizard Tutorial 1 User Reviews and Ratings
 - Pcb Wizard Tutorial 1 and Bestseller Lists
5. Accessing Pcb Wizard Tutorial 1 Free and Paid eBooks

- Pcb Wizard Tutorial 1 Public Domain eBooks
 - Pcb Wizard Tutorial 1 eBook Subscription Services
 - Pcb Wizard Tutorial 1 Budget-Friendly Options
6. Navigating Pcb Wizard Tutorial 1 eBook Formats
- ePub, PDF, MOBI, and More
 - Pcb Wizard Tutorial 1 Compatibility with Devices
 - Pcb Wizard Tutorial 1 Enhanced eBook Features
7. Enhancing Your Reading Experience
- Adjustable Fonts and Text Sizes of Pcb Wizard Tutorial 1
 - Highlighting and Note-Taking Pcb Wizard Tutorial 1
 - Interactive Elements Pcb Wizard Tutorial 1
8. Staying Engaged with Pcb Wizard Tutorial 1
- Joining Online Reading Communities
 - Participating in Virtual Book Clubs
 - Following Authors and Publishers Pcb Wizard Tutorial 1
9. Balancing eBooks and Physical Books Pcb Wizard Tutorial 1
- Benefits of a Digital Library
 - Creating a Diverse Reading Collection Pcb Wizard Tutorial 1
10. Overcoming Reading Challenges
- Dealing with Digital Eye Strain
 - Minimizing Distractions
 - Managing Screen Time
11. Cultivating a Reading Routine Pcb Wizard Tutorial 1
- Setting Reading Goals Pcb Wizard Tutorial 1
 - Carving Out Dedicated Reading Time
12. Sourcing Reliable Information of Pcb Wizard Tutorial 1
- Fact-Checking eBook Content of Pcb Wizard Tutorial 1
 - Distinguishing Credible Sources
13. Promoting Lifelong Learning
- Utilizing eBooks for Skill Development

- Exploring Educational eBooks
14. Embracing eBook Trends
- Integration of Multimedia Elements
 - Interactive and Gamified eBooks

Pcb Wizard Tutorial 1 Introduction

Free PDF Books and Manuals for Download: Unlocking Knowledge at Your Fingertips In today's fast-paced digital age, obtaining valuable knowledge has become easier than ever. Thanks to the internet, a vast array of books and manuals are now available for free download in PDF format. Whether you are a student, professional, or simply an avid reader, this treasure trove of downloadable resources offers a wealth of information, conveniently accessible anytime, anywhere. The advent of online libraries and platforms dedicated to sharing knowledge has revolutionized the way we consume information. No longer confined to physical libraries or bookstores, readers can now access an extensive collection of digital books and manuals with just a few clicks. These resources, available in PDF, Microsoft Word, and PowerPoint formats, cater to a wide range of interests, including literature, technology, science, history, and much more. One notable platform where you can explore and download free Pcb Wizard Tutorial 1 PDF books and manuals is the internet's largest free library. Hosted online, this catalog compiles a vast assortment of documents, making it a veritable goldmine of knowledge. With its easy-to-use website interface and customizable PDF generator, this platform offers a user-friendly experience, allowing individuals to effortlessly navigate and access the information they seek. The availability of free PDF books and manuals on this platform demonstrates its commitment to democratizing education and empowering individuals with the tools needed to succeed in their chosen fields. It allows anyone, regardless of their background or financial limitations, to expand their horizons and gain insights from experts in various disciplines. One of the most significant advantages of downloading PDF books and manuals lies in their portability. Unlike physical copies, digital books can be stored and carried on a single device, such as a tablet or smartphone, saving valuable space and weight. This convenience makes it possible for readers to have their entire library at their fingertips, whether they are commuting, traveling, or simply enjoying a lazy afternoon at home. Additionally, digital files are easily searchable, enabling readers to locate specific information within seconds. With a few keystrokes, users can search for keywords, topics, or phrases, making research and finding relevant information a breeze. This efficiency saves time and effort, streamlining the learning process and allowing individuals to focus on extracting the information they need. Furthermore, the availability of free PDF books and manuals fosters a culture of continuous learning. By removing financial barriers, more people can access educational resources and pursue lifelong learning, contributing to personal growth and professional development. This democratization of knowledge promotes intellectual curiosity and empowers

individuals to become lifelong learners, promoting progress and innovation in various fields. It is worth noting that while accessing free Pcb Wizard Tutorial 1 PDF books and manuals is convenient and cost-effective, it is vital to respect copyright laws and intellectual property rights. Platforms offering free downloads often operate within legal boundaries, ensuring that the materials they provide are either in the public domain or authorized for distribution. By adhering to copyright laws, users can enjoy the benefits of free access to knowledge while supporting the authors and publishers who make these resources available. In conclusion, the availability of Pcb Wizard Tutorial 1 free PDF books and manuals for download has revolutionized the way we access and consume knowledge. With just a few clicks, individuals can explore a vast collection of resources across different disciplines, all free of charge. This accessibility empowers individuals to become lifelong learners, contributing to personal growth, professional development, and the advancement of society as a whole. So why not unlock a world of knowledge today? Start exploring the vast sea of free PDF books and manuals waiting to be discovered right at your fingertips.

FAQs About Pcb Wizard Tutorial 1 Books

What is a Pcb Wizard Tutorial 1 PDF? A PDF (Portable Document Format) is a file format developed by Adobe that preserves the layout and formatting of a document, regardless of the software, hardware, or operating system used to view or print it. **How do I create a Pcb Wizard Tutorial 1 PDF?** There are several ways to create a PDF: Use software like Adobe Acrobat, Microsoft Word, or Google Docs, which often have built-in PDF creation tools. Print to PDF: Many applications and operating systems have a "Print to PDF" option that allows you to save a document as a PDF file instead of printing it on paper. Online converters: There are various online tools that can convert different file types to PDF. **How do I edit a Pcb Wizard Tutorial 1 PDF?** Editing a PDF can be done with software like Adobe Acrobat, which allows direct editing of text, images, and other elements within the PDF. Some free tools, like PDFescape or Smallpdf, also offer basic editing capabilities. **How do I convert a Pcb Wizard Tutorial 1 PDF to another file format?** There are multiple ways to convert a PDF to another format: Use online converters like Smallpdf, Zamzar, or Adobe Acrobat's export feature to convert PDFs to formats like Word, Excel, JPEG, etc. Software like Adobe Acrobat, Microsoft Word, or other PDF editors may have options to export or save PDFs in different formats. **How do I password-protect a Pcb Wizard Tutorial 1 PDF?** Most PDF editing software allows you to add password protection. In Adobe Acrobat, for instance, you can go to "File" -> "Properties" -> "Security" to set a password to restrict access or editing capabilities. Are there any free alternatives to Adobe Acrobat for working with PDFs? Yes, there are many free alternatives for working with PDFs, such as: LibreOffice: Offers PDF editing features. PDFsam: Allows splitting, merging, and editing PDFs. Foxit Reader: Provides basic PDF viewing and editing

capabilities. How do I compress a PDF file? You can use online tools like Smallpdf, ILovePDF, or desktop software like Adobe Acrobat to compress PDF files without significant quality loss. Compression reduces the file size, making it easier to share and download. Can I fill out forms in a PDF file? Yes, most PDF viewers/editors like Adobe Acrobat, Preview (on Mac), or various online tools allow you to fill out forms in PDF files by selecting text fields and entering information. Are there any restrictions when working with PDFs? Some PDFs might have restrictions set by their creator, such as password protection, editing restrictions, or print restrictions. Breaking these restrictions might require specific software or tools, which may or may not be legal depending on the circumstances and local laws.

Find Pcb Wizard Tutorial 1 :

[english grammar fourth edition betty s azar](#)

[enciclopedia copiilor vol 1 scribd com](#)

[elements of literature fifth course teacher edition online](#)

[embedded software the works](#)

engineering chemistry by o g palanna

english plus pre intermediate esercizi svolti

engineering physics 1 p mani

eleni oragir 74

elementary statistics bluman 9th edition

[english language past exam papers from zimbabwe](#)

elements of physical chemistry atkins 6th edition

embedded systems architecture programming and design 2nd edition raj kamal

engineering evs notes btech 1st semester ptu

engineering metrology computer aided inspection

elements of discrete mathematics solutions

Pcb Wizard Tutorial 1 :

environmental science mcqs multiple choice questions pdf - Mar 11 2023

web environmental science structure and function of ecosystem 55 solid waste management 96 water pollution 141 air pollution 142 acid deposition 55 global climate change 37 atmosphere 36 ozone depletion 53

environmental chemistry mcq science topprmcq - Aug 04 2022

web environmental chemistry mcq is a collection of multiple choice questions related to the study of the chemical and physical processes occurring in the environment these mcqs cover topics such as atmospheric chemistry atmospheric pollutants water

1000 environmental studies mcq questions with free pdf - Jul 03 2022

web oct 20 2021 these objective type questions on the environment cover the following 1000 mcqs in very elaborate detail the history of conservation problems of environmental pollution air pollution and quality control soil pollution and conservation water resources management shifting cultivation and forest degradation

environmental science mcq multiple choice questions - Jul 15 2023

web environmental science mcq multiple choice questions with multiple choice questions questions and answers java mcq c mcq python mcq c mcq gk mcq mcq preparation general science mcq etc

environmental science mcqs mcqs on environmental science - Apr 12 2023

web environmental science mcqs solve environmental science multiple choice questions to prepare better for the upcoming exams and score better in gate click here to find environmental science mcqs

environment and ecology mcqs question and answers - Dec 28 2021

web top 1000 mcq questions on environmental studies with free pdf the mcq questions on environmental studies have been designed to cover all the aspects of environmental studies for ias pcs nda nts and rrb examinations

environmental science mcq questions and answers evs mcq - May 13 2023

web each section contains maximum 100 mcqs question on environmental science to get more questions visit other sections environmental science section 2 environmental science section 3 environmental science section 4 environmental science section 5 environmental science section 6 environmental science section 7

environmental science mcqs with answers - Feb 10 2023

web jul 14 2023 environmental science mcqs an interdisciplinary area called environmental science studies how the natural world and human activity interact in order to comprehend the intricacies of the environment and deal with environmental concerns it involves a variety of scientific disciplines including biology chemistry physics geology

mcq on environment with answers pdf ybstudy - Mar 31 2022

web nov 8 2021 mcq questions on environment pdf we all are very known that for environmental science is one of the most important subject which not only decides the careers of many a young students but also improve their ability of analytical and there nature of thinking most of the students believe that environmental study is a scoring subject

environment mcq free pdf objective question answer for environment - Oct 06 2022

web aug 17 2023 environment question 1 which of the following is most effectively promoted by globalisation among the societies monocultural values multicultural values regionalisation self centredness none of the above more than one of the above answer detailed solution below option 2 multicultural values

environmental science multiple choice questions pdf - May 01 2022

web environmental science multiple choice questions and answers mcqs environmental science mcq questions pdf chapter 5 1 for free career test to learn general knowledge tests environmental science mcq pdf greenhouse effect test for high school entrance exam

environmental science mcq multiple choice questions - Dec 08 2022

web aug 14 2021 environmental science mcq question 01 environmental science integrates a physical science b biological science c information science d all of the above answer all of the above question 02 the natural environment includes a only living organisms b only non living organisms c both a and b in natural

environmental science mcq questions and answers examians - Jun 02 2022

web environmental science what is the cause of the exxon valdez none of these oil tanker which sank in 1989 along the coast of alaska and marine life seriously affected a plane which crashed and caused death of human life a ship which wrecked on the coast of india answer download examians app

mcq on environmental studies mcq on environmental mcq - Jan 29 2022

web environmental science questions and answers in multiple choice type mcqs for ssc cgl data entry operator postal assistant upsc railway exams these previous years general awareness quiz objective questions answers for competitive exam are very important for prelims and mains exams

mcq on environmental science easybiologyclass - Sep 05 2022

web 1 in ecology the term biocenosis specifically explains a ecological study of communities b ecological study of individual species c a group of organism inhabiting a particular area d a group of many species of plants and animals living together in a natural area 2

160 environmental science solved mcqs with pdf download - Aug 16 2023

web 1 2 3 4 5 6 7 tags question and answers in environmental science environmental science multiple choice questions and answers environmental science important mcqs solved mcqs for environmental science environmental science mcqs with answers pdf download

environmental studies mcq multiple choice questions - Feb 27 2022

web environmental studies mcq 1 environmental studies is defined as the branch that deals with the design study and discovery of new materials the study of humanities social biological and physical sciences incorporate the information and

physical sciences approach about the natural world and the impact of humans on its integrity

[environmental studies mcqs unacademy](#) - Jan 09 2023

web environmental studies refer to the scientific study about the environmental system environmental studies include study of physical as well as biological features that are a part of the environment along with this environmental studies also include cultural as well as social factors that affect the environment

[*environmental science mcq free pdf objective question*](#) - Nov 07 2022

web sep 12 2023 get environmental science multiple choice questions mcq quiz with answers and detailed solutions

download these free environmental science mcq quiz pdf and prepare for your upcoming exams like banking ssc railway upsc state psc

1000 environmental science mcq multiple choice questions sanfoundry - Jun 14 2023

web our 1000 mcqs focus on all topics of environmental engineering and environmental science covering 100 topics this will help you to prepare for exams contests online tests quizzes viva voce interviews and certifications you can also download the pdf of environmental engineering mcqs by applying below

[*pfade Übersetzung englisch deutsch dict cc*](#) - Jul 01 2022

web a 2009 02 06 etwa orte abseits der üblichen pfade a 2008 10 23 siehe pfade split up plan aber eigentlich müsste man genau wissen was a 2008 09 11 siehe pfade a

[*pfade zu effizienten prozessen prozessgestaltung pdf uniport edu*](#) - Feb 25 2022

web jul 29 2023 pfade zu effizienten prozessen prozessgestaltung 2 10 downloaded from uniport edu ng on july 29 2023 by guest 1 1 2004 besteht ein spannungsverhältnis

pfade zu effizienten prozessen prozessgestaltung - Dec 26 2021

web pfade zu effizienten prozessen prozessgestaltung getting the books pfade zu effizienten prozessen prozessgestaltung now is not type of challenging means you

[*pfade gruene liste praevention de*](#) - May 31 2022

web 3 2 1 einsatz der instrumente zur qualitätskontrolle bei regulärer programmumsetzung x 4 2 ansprechpartner für anwender vor ort x 4 3 flexible sprechzeiten bei ansprechpartnern

pfade zu effizienten prozessen prozessgestaltung phil harkins - Sep 22 2021

web now is pfade zu effizienten prozessen prozessgestaltung below decisions with multiple objectives ralph l keeney 1993 07 this book describes how a confused decision

bpmn markenfluss parallele pfade kurze prozesse - Nov 05 2022

web bpmn markenfluss parallele pfade wenn eine marke an einem verzweigenden parallelen gateway eintrifft wird sie

vervielfältigt Über jeden ausgehenden sequenzfluss wird eine

pfade photoshop tipp teil 1 youtube - Apr 29 2022

web jul 10 2011 pfade erstellen und bearbeiten mit photoshop ein videotutorial von pastorpixel de ich habe zu diesem thema weitere tutorials erstellt pfade und

pfade zu effizienten prozessen prozessgestaltung pdf - Oct 24 2021

web pfade zu effizienten prozessen prozessgestaltung pfade zu effizienten prozessen prozessgestaltung 2 downloaded from old restorativejustice org on 2020 04 06 by

pfade zu effizienten prozessen prozessgestaltung pdf - Mar 09 2023

web aug 9 2023 pfade zu effizienten prozessen prozessgestaltung 2 10 downloaded from uniport edu ng on august 9 2023 by guest under great pressure from structural changes

pfade zu effizienten prozessen greiling michael muszynski - May 11 2023

web pfade zu effizienten prozessen prozessgestaltung im krankenhaus greiling michael muszynski theresa isbn 9783938610022

pfade zu effizienten prozessen prozessgestaltung im kr - Jun 12 2023

web pfade zu effizienten prozessen prozessgestaltung im krankenhaus mit cd rom michael greiling theresa muszynski 0 00 0

pfade zu effizienten prozessen prozessgestaltung pdf - Oct 04 2022

web pfade zu effizienten prozessen prozessgestaltung pdf introduction pfade zu effizienten prozessen prozessgestaltung pdf 2023 marketing problems melvin

pfade zu effizienten prozessen prozessgestaltung patricia c - Feb 08 2023

web pfade zu effizienten prozessen prozessgestaltung pfade zu effizienten prozessen prozessgestaltung 2 downloaded from old restorativejustice org on 2020 10 30 by

pfade zu effizienten prozessen prozessgestaltung im - Apr 10 2023

web abebooks com pfade zu effizienten prozessen prozessgestaltung im krankenhaus mit cd rom 9783938610022 by greiling michael muszynski theresa and a great

pfade zu effizienten prozessen prozessgestaltung pdf - Aug 14 2023

web introduction pfade zu effizienten prozessen prozessgestaltung pdf copy die prozessorientierung im unternehmen andreas müller 2014 08 auch in den letzten

pfade zu effizienten prozessen prozessgestaltung im - Dec 06 2022

web pfade zu effizienten prozessen prozessgestaltung im krankenhaus by michael greiling theresa muszynski strukturieren helfen fehler besser zu vermeiden und die anzahl an

pfade zu effizienten prozessen prozessgestaltung copy - Nov 24 2021

web may 2 2023 pfade zu effizienten prozessen prozessgestaltung 2 10 downloaded from uniport edu ng on may 2 2023 by guest festzustellen und zu nutzen das buch gibt

pfade zu effizienten prozessen prozessgestaltung - Aug 02 2022

web pfade zu effizienten prozessen prozessgestaltung 1 pfade zu effizienten prozessen prozessgestaltung when somebody should go to the ebook stores search launch by

pfade zu effizienten prozessen prozessgestaltung copy - Mar 29 2022

web jun 1 2023 pfade zu effizienten prozessen prozessgestaltung 2 13 downloaded from uniport edu ng on june 1 2023 by guest development such as synchronizing multiple

pfade zu effizienten prozessen prozessgestaltung copy - Jan 27 2022

web jul 27 2023 pfade zu effizienten prozessen prozessgestaltung 2 12 downloaded from uniport edu ng on july 27 2023 by guest public administration s agenda 2 applications

pfade zu effizienten prozessen prozessgestaltung - Jul 13 2023

web pfade zu effizienten prozessen prozessgestaltung getting the books pfade zu effizienten prozessen prozessgestaltung now is not type of inspiring means you

pfade zu effizienten prozessen prozessgestaltung copy - Sep 03 2022

web feb 24 2023 pfade zu effizienten prozessen prozessgestaltung 2 10 downloaded from uniport edu ng on february 24 2023 by guest relatively little re search of social support

pfade zu effizienten prozessen prozessgestaltung pdf uniport edu - Jan 07 2023

web jul 14 2023 pfade zu effizienten prozessen prozessgestaltung 1 10 downloaded from uniport edu ng on july 14 2023 by guest pfade zu effizienten prozessen

examen cisco 5 conseils pour réussir l examen de certification - Apr 14 2023

apr 10 2019 nous recommandons de mettre l accent sur icnd1 qui sert de base à tous les types d examens cisco ccna cela nécessite que les candidats parcourent toute la longueur des sujets 2 l examen ccna est rapide l examen ccna comprend 50

cisco préparation au module 2 de l examen ccna version 5 - Sep 19 2023

cisco préparation au module 2 de l examen ccna version 5 les commandes de routage by sébastien artu 2020lafindue merce catherinebarba2011 110627153406 pct 1999 49 pct gazette weekly issue no 49 1999 chemical engineering education ciel

extrannuaire cisco golfeurs media and co deuxime dition cours gratuit hdghbdh pixnet walmart ca

cisco préparation au module 2 de l examen ccna version 5 - Jun 04 2022

cisco préparation au module 2 de l examen ccna version 5 les commandes de routage by sébastien artu paration of control

plane and data plane by monitoring the traffic from openflow switches solution mapping arm module in the controller which can track media joomlashine.com 14 cisco préparation au module 2 de l'examen ccna version 5

cisco préparation au module 2 de l'examen ccna version 5 - Jan 31 2022

cisco préparation au module 2 de l'examen ccna version 5 les commandes de commutation by sébastien artu archive toute l'actualité informatique du web 7 march 2013 ndfr travail dans nos cv kadserv 87483515 dtu 13 2 partie 1 p 11 212 cahier des clauses lib merc ac ir sol ttc 180 led professional video light lamp 56005800k readings in

cisco préparation au module 2 de l'examen ccna pdf - Sep 07 2022

we provide cisco préparation au module 2 de l'examen ccna and numerous books collections from fictions to scientific research in any way in the midst of them is this cisco préparation au module 2 de l'examen ccna that can be your partner cisco préparation au module 2 de l'examen ccna downloaded from neurocme.med.ucla.edu by guest

cisco préparation au module 2 de l'examen ccna pdf - Nov 09 2022

2 2 cisco préparation au module 2 de l'examen ccna 2022 09 11 cisco préparation au module 2 de l'examen ccna downloaded from ai.classmonitor.com by guest efrain benjamin devnet associate devasc 200 901 official certification guide cisco press behavioral strategy continues to attract increasing research interest within the

cisco préparation au module 2 de l'examen ccna 2022 - Aug 18 2023

cisco préparation au module 2 de l'examen ccna ccnp enterprise certification study guide implementing and operating cisco enterprise network core technologies software testing and quality assurance ccna voice official exam certification guide 640 460 iiuc ccnp and ccie data center core dccor 350 601 official cert guide cisco ccent ccna

practice exams for ccna 200 301 simulation exams - Feb 12 2023

the ccna exam include network fundamentals ip connectivity ip services network access security fundamentals and automation and programmability exam 200 301 cisco certified network associate v1 0 number of question 120 our practice exams have 575 practice question time allowed 120 minutes

cisco préparation au module 2 de l'examen ccna version 5 - Jul 05 2022

jun 21 2023 au module 2 de l'examen ccna version 5 les commandes de commutation by sébastien artu it will vastly simplicity you to see tutorial cisco préparation au module 2 de l'examen ccna version 5 les commandes de commutation by sébastien artu as you such as you could quickly fetch this cisco préparation au module 2 de l'examen ccna

le programme ccna comment apprendre efficacement - Mar 13 2023

il ne s'agit pas de s'asseoir et de se détendre il faut mettre son cerveau au travail ce que je recommande pour le programme ccna passez 20 de votre temps à lire ou à regarder des vidéos pédagogiques et 80 sur des lab lab et encore des lab alors maintenant vous savez qu'il vous faudra faire des lab la plupart de votre temps

cisco pra c paration au module 2 de l examen ccna - Oct 08 2022

cisco pra c paration au module 2 de l examen ccna cisco jul 18 2022 uml 2 mar 22 2020 cisco certification ccna jan 24 2023 dépliant aide mémoire de 12 pages présentant de manière synthétique les principales commandes de commutation ccnp and ccie data center core dcor 350 601 official cert guide oct 09 2021

cisco préparation au module 2 de l examen ccna version 5 - Mar 01 2022

cisco préparation au module 2 de l examen ccna version 5 les commandes de commutation by sébastien artu cisco préparation au module 2 de l examen ccna version 5 les commandes de commutation by sébastien artu download freedict td corrig popular pdfs in algeria on 29 04 2010 cours pdf toute l actualit informatique du web 7 march 2013 ndfr cisco préparation au module 2 de l examen ccna version 5 - May 03 2022

cisco préparation au module 2 de l examen ccna version 5 les commandes de routage by sébastien artu cisco préparation au module 2 de l examen ccna version 5 les commandes de routage by sébastien artu expert ibm as400 walmart ca d veloppement freelancer cisco golfeurs media and co popular pdfs in algeria on 29 04 2010 absorption des ccna en ligne tout savoir sur examen cisco formip - Jan 11 2023

apr 21 2020 exigences de test en ligne de cisco pour passer l examen ccna 100 en ligne les candidats doivent répondre à 5 exigences tout d abord il faut avoir un endroit calme et privé ensuite vous devrez posséder une webcam qui fonctionne car votre présence sera quand même contrôlée tout au long de l examen

cisco pra c paration au module 2 de l examen ccna 2023 - Jun 16 2023

cisco pra c paration au module 2 de l examen ccna cisco routage et commutation mar 18 2022 ce livre sur la préparation à la certification ccna couvre le deuxième module du cursus ccna exploration routage et commutation le cursus complet comporte 4 modules et aboutit à la certification cisco ccna 200 120

préparation à l examen ccna greelane com - May 15 2023

aug 27 2018 la clé pour réussir l examen ccna est la préparation et beaucoup de préparation pour réussir le test vous devez comprendre la théorie les faits et la pratique de la mise en réseau et être capable d utiliser facilement l interface cisco ios y compris les commandes et la syntaxe spécifiques mais si vous prenez le temps de vraiment

cisco préparation au module 2 de l examen ccna version 5 - Apr 02 2022

jun 28 2023 cisco préparation au module 2 de l examen ccna version 5 les commandes de routage by sébastien artu l objectif de ce document est d expliquer les m thodes de chargement du logiciel sur le module cisco unity express ĩr ĩ avant 9 ü o à c 2 w préalables conditions requises posants

cisco pra c paration au module 2 de l examen ccna pdf - Aug 06 2022

cisco pra c paration au module 2 de l examen ccna 1 cisco pra c paration au module 2 de l examen ccna international record

of medicine and general practice clinics cisco ccie routing and switching v5 0 configuration practice labs cisco dcuci quick reference cisco ios releases cisco software defined access cisco ccie lab practice kit

cisco pra c paration au module 2 de l examen ccna - Dec 10 2022

cisco pra c paration au module 2 de l examen ccna recognizing the artifice ways to get this book cisco pra c paration au module 2 de l examen ccna is additionally useful you have remained in right site to begin getting this info acquire the cisco pra c paration au module 2 de l examen ccna link that we present here and check out the link

cisco préparation au module 2 de l examen ccna version 5 - Jul 17 2023

may 24 2023 cisco préparation au module 2 de l examen ccna version 5 les commandes de commutation by sébastien artu microfibre rouge et appui bras avec rangement prd3capnariyker daily 0 9 1 the full text of the letter is in b amp r vol 2 p 39 ff 2 an important source of information on the saavedra expedition is the account written by yivencio de