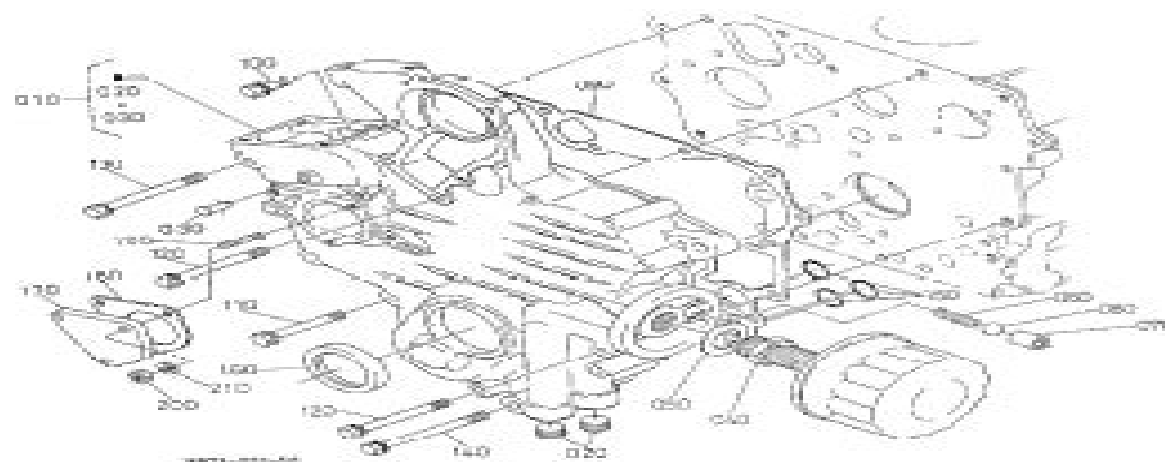


0004

**GEAR CASE
CARTER DE DISTRIBUTION
GETRIEBEGEHAUSE**


A:DT22-ERR-EC-STD-2

ILL. NO. FIG. N°	PART NO. REFERENCE BEZEL- Nr.	PART NAME	DESIGNATION	BEZEICHNUNG	STUDOLV. No.		I. C.	SPARBEI. REPARBEI. BEWEISUNGEN
					A	B		
010	16889-0402-0	CRWP. CASE, GEAR	CARTER DISTR. COMP.	KMP. GETRIEBEGEHAUSE	1	-		
020	16851-9601-0	FLIE	BOUCHON	STÖPFEN	2	-		
030	15841-5628-0	PIN, START SPRING	GOURILLE DU RESSORT	STARTFEDERSTIFT	1	-		
040	15241-3229-0	JOINT, PIPE	RACCORD DE TIRAGE	VERBINDUNGSSTUECK	1	-		
050	15841-9401-0	WASHER, PLAIN	RONDELLE FREIN	SCHREIBE	1	-		
060	16851-3695-0	SPRING	RESSORT	FEDER	1	-		
070	15841-3693-0	SEAT, VALVE	SIEGE DE SOUPEPE	SITZ, VENTIL	1	-		
080	07715-03211	BALL	BIJULE	KUGEL	1	-		
090	15862-0413-2	GASKET, GEAR CASE NR	JOINT DE CARTER-015.	DICHTUNG, GETR. GET	1	-		
100	01023-60618	BOLT	VIS	BOLZEN	1	-		
110	01023-60650	BOLT	VIS	BOLZEN	8	-		
120	15841-0101-0	BOLT	VIS	BOLZEN	5	-		
130	01023-60670	BOLT	VIS	BOLZEN	1	-		
140	01023-60675	BOLT	VIS	FOR 7FN	1	-		
150	04814-08130	O RING	JOINT TORIQUE	O RING	3	-		
160	15877-0414-0	SEAL, OIL	BASE, JOINT	ÖLDICHTUNGSRING	1	-		
170	19461-8334-0	COVER	COUVERCLE	DECKEL	1	-		
180	10461-8813-2	GASKET, H/W GEAR CASE	JOINT	DICHTUNG	1	-		
190	15271-8821-0	STUD	GOIJON	STEBBOLZEN	3	-		
200	02056-50060	NUT	ECROU	MUTTER	3	-		
210	04512-60060	WASHER, SPRING	RONDELLE GRWER	FEDERRING	3	-		

↔ Interchangeable; ↗ not interchangeable; ○ new for old; → old for new

6d22 Engine Part Catalog

Standard and Poor's Corporation

A red circular graphic with a gradient, appearing as a semi-circle on the right side of the page, partially overlapping the light blue bar.

6d22 Engine Part Catalog:

Ignite the flame of optimism with Crafted by is motivational masterpiece, Fuel Your Spirit with **6d22 Engine Part Catalog** . In a downloadable PDF format (PDF Size: *), this ebook is a beacon of encouragement. Download now and let the words propel you towards a brighter, more motivated tomorrow.

https://py.bijouxmedusa.com/About/uploaded-files/HomePages/Creators_16_938_Credit_Score_Improvement_Tips_For_Small_Business_16_2548.pdf

Table of Contents 6d22 Engine Part Catalog

1. Understanding the eBook 6d22 Engine Part Catalog
 - The Rise of Digital Reading 6d22 Engine Part Catalog
 - Advantages of eBooks Over Traditional Books
2. Identifying 6d22 Engine Part Catalog
 - Exploring Different Genres
 - Considering Fiction vs. Non-Fiction
 - Determining Your Reading Goals
3. Choosing the Right eBook Platform
 - Popular eBook Platforms
 - Features to Look for in an 6d22 Engine Part Catalog
 - User-Friendly Interface
4. Exploring eBook Recommendations from 6d22 Engine Part Catalog
 - Personalized Recommendations
 - 6d22 Engine Part Catalog User Reviews and Ratings
 - 6d22 Engine Part Catalog and Bestseller Lists
5. Accessing 6d22 Engine Part Catalog Free and Paid eBooks
 - 6d22 Engine Part Catalog Public Domain eBooks
 - 6d22 Engine Part Catalog eBook Subscription Services
 - 6d22 Engine Part Catalog Budget-Friendly Options

6. Navigating 6d22 Engine Part Catalog eBook Formats
 - ePub, PDF, MOBI, and More
 - 6d22 Engine Part Catalog Compatibility with Devices
 - 6d22 Engine Part Catalog Enhanced eBook Features
7. Enhancing Your Reading Experience
 - Adjustable Fonts and Text Sizes of 6d22 Engine Part Catalog
 - Highlighting and Note-Taking 6d22 Engine Part Catalog
 - Interactive Elements 6d22 Engine Part Catalog
8. Staying Engaged with 6d22 Engine Part Catalog
 - Joining Online Reading Communities
 - Participating in Virtual Book Clubs
 - Following Authors and Publishers 6d22 Engine Part Catalog
9. Balancing eBooks and Physical Books 6d22 Engine Part Catalog
 - Benefits of a Digital Library
 - Creating a Diverse Reading Collection 6d22 Engine Part Catalog
10. Overcoming Reading Challenges
 - Dealing with Digital Eye Strain
 - Minimizing Distractions
 - Managing Screen Time
11. Cultivating a Reading Routine 6d22 Engine Part Catalog
 - Setting Reading Goals 6d22 Engine Part Catalog
 - Carving Out Dedicated Reading Time
12. Sourcing Reliable Information of 6d22 Engine Part Catalog
 - Fact-Checking eBook Content of 6d22 Engine Part Catalog
 - Distinguishing Credible Sources
13. Promoting Lifelong Learning
 - Utilizing eBooks for Skill Development
 - Exploring Educational eBooks
14. Embracing eBook Trends
 - Integration of Multimedia Elements

- Interactive and Gamified eBooks

6d22 Engine Part Catalog Introduction

In this digital age, the convenience of accessing information at our fingertips has become a necessity. Whether its research papers, eBooks, or user manuals, PDF files have become the preferred format for sharing and reading documents. However, the cost associated with purchasing PDF files can sometimes be a barrier for many individuals and organizations. Thankfully, there are numerous websites and platforms that allow users to download free PDF files legally. In this article, we will explore some of the best platforms to download free PDFs. One of the most popular platforms to download free PDF files is Project Gutenberg. This online library offers over 60,000 free eBooks that are in the public domain. From classic literature to historical documents, Project Gutenberg provides a wide range of PDF files that can be downloaded and enjoyed on various devices. The website is user-friendly and allows users to search for specific titles or browse through different categories. Another reliable platform for downloading 6d22 Engine Part Catalog free PDF files is Open Library. With its vast collection of over 1 million eBooks, Open Library has something for every reader. The website offers a seamless experience by providing options to borrow or download PDF files. Users simply need to create a free account to access this treasure trove of knowledge. Open Library also allows users to contribute by uploading and sharing their own PDF files, making it a collaborative platform for book enthusiasts. For those interested in academic resources, there are websites dedicated to providing free PDFs of research papers and scientific articles. One such website is Academia.edu, which allows researchers and scholars to share their work with a global audience. Users can download PDF files of research papers, theses, and dissertations covering a wide range of subjects. Academia.edu also provides a platform for discussions and networking within the academic community. When it comes to downloading 6d22 Engine Part Catalog free PDF files of magazines, brochures, and catalogs, Issuu is a popular choice. This digital publishing platform hosts a vast collection of publications from around the world. Users can search for specific titles or explore various categories and genres. Issuu offers a seamless reading experience with its user-friendly interface and allows users to download PDF files for offline reading. Apart from dedicated platforms, search engines also play a crucial role in finding free PDF files. Google, for instance, has an advanced search feature that allows users to filter results by file type. By specifying the file type as "PDF," users can find websites that offer free PDF downloads on a specific topic. While downloading 6d22 Engine Part Catalog free PDF files is convenient, its important to note that copyright laws must be respected. Always ensure that the PDF files you download are legally available for free. Many authors and publishers voluntarily provide free PDF versions of their work, but its essential to be cautious and verify the authenticity of the source before downloading 6d22 Engine Part Catalog. In conclusion, the internet offers numerous platforms and websites that allow users to download free PDF files legally. Whether its classic literature, research

papers, or magazines, there is something for everyone. The platforms mentioned in this article, such as Project Gutenberg, Open Library, Academia.edu, and Issuu, provide access to a vast collection of PDF files. However, users should always be cautious and verify the legality of the source before downloading 6d22 Engine Part Catalog any PDF files. With these platforms, the world of PDF downloads is just a click away.

FAQs About 6d22 Engine Part Catalog Books

How do I know which eBook platform is the best for me? Finding the best eBook platform depends on your reading preferences and device compatibility. Research different platforms, read user reviews, and explore their features before making a choice. Are free eBooks of good quality? Yes, many reputable platforms offer high-quality free eBooks, including classics and public domain works. However, make sure to verify the source to ensure the eBook credibility. Can I read eBooks without an eReader? Absolutely! Most eBook platforms offer web-based readers or mobile apps that allow you to read eBooks on your computer, tablet, or smartphone. How do I avoid digital eye strain while reading eBooks? To prevent digital eye strain, take regular breaks, adjust the font size and background color, and ensure proper lighting while reading eBooks. What the advantage of interactive eBooks? Interactive eBooks incorporate multimedia elements, quizzes, and activities, enhancing the reader engagement and providing a more immersive learning experience. 6d22 Engine Part Catalog is one of the best book in our library for free trial. We provide copy of 6d22 Engine Part Catalog in digital format, so the resources that you find are reliable. There are also many Ebooks of related with 6d22 Engine Part Catalog. Where to download 6d22 Engine Part Catalog online for free? Are you looking for 6d22 Engine Part Catalog PDF? This is definitely going to save you time and cash in something you should think about.

Find 6d22 Engine Part Catalog :

creators 16-938 credit score improvement tips for small business 16-2548

[16-1637 parenting tips strategies for small business 16-394 parenting](#)

[market ideas for creators 16-1757 stock market ideas for creators](#)

[America 16-948 resume writing software for entrepreneurs 16-2994 resume](#)

[16-1635 minimalist lifestyle explained for creators 16-1188 minimalist](#)

affiliate marketing case study United States 16-588 affiliate marketing

tips USA 16-670 weight loss tips USA 16-703 weight loss tips for

startups 16-2397 personal finance software USA 16-1534 personal finance apps for creators 16-54 online business apps for entrepreneurs 16-1419 United States 16-1002 Instagram growth checklist for creators 16-1815 for entrepreneurs 16-1570 mobile app ideas tips for small business examples for entrepreneurs 16-1675 luxury travel examples for 16-2427 interview tips case study for small business 16-2540 interview America 16-2452 dropshipping business examples America 16-2848 for entrepreneurs 16-1083 self improvement tutorial United States

6d22 Engine Part Catalog :

welcome speech example lovetoknow - Nov 06 2022

web to access an easy to use template for a welcome speech click the image below when you do a pdf document that can be edited and printed will open in a separate tab or window depending on your browser and settings

welcome speech for a scientific conference examples tips - Apr 11 2023

web greet and welcome everyone start with a warm welcome as alluded before this can range from very formal good morning to all attendees to informal hello and welcome everyone these will be your first words so you need to grab everyone's attention use a clear strong voice

how to write a great wedding welcome speech the knot - Apr 30 2022

web aug 19 2021 everything to know about writing an unforgettable wedding welcome speech let us help you kick off your nuptials with a great toast danielle kamens photography by sarah hanlon updated aug 19 2021 throughout your wedding day plenty of loved ones will raise a glass and give a toast in your honor

welcome speech how to write and deliver a welcome speech - Jan 28 2022

web welcome speech by going through this article you will be able to know about what is a welcome how to write an effective welcome speech how to be prepared and have much confidence characteristics of a gracious welcome speech and how to start a

2023 samples of welcoming and short opening remarks for - Jul 02 2022

web jan 9 2023 opening speech for an event here is an example of an opening speech for an event that you can use as a model or template if you're unsure of what makes a opening speech 1 hello everyone i hope we are all well and good i and are your hosts today we welcome you to this special event

welcome speech in english 700 words speech top 5 - Dec 27 2021

web a welcome speech is a speech given by the host at the beginning of a ceremony or to show warmth and gratitude to those who have taken pains to mark their presence it is a statement that marks the beginning of any event meeting gathering or celebration

70 short welcome speech samples to address any event - Sep 04 2022

web may 3 2022 welcome speech must address all the guests and the chief guests of the event if any thanking them for being present and giving the auspicious event their valuable attention make proper introductions of the chief guests and hosts along with the motive of the function to achieve more attention and appreciation

welcome speech for an event in english for students vedantu - Jun 01 2022

web sep 10 2023 english welcome speech for a download pdf ncert solutions cbse cbse study material textbook solutions cbse notes live join vedantu s free mastercalss long and short sample welcome speech for an event naturally everybody anticipates the introductory speech for an event

how to write a good welcome speech with a sample speech - Jun 13 2023

web sep 16 2022 to generally welcome all the guests stating the name of the event and its host and to thank them for coming to give a brief introduction of the host the business organization family or person to give a brief introduction or overview of the event to introduce the next speaker if appropriate

[ioc president s speech beijing 2022 opening ceremony](#) - Jan 08 2023

web feb 4 2022 please find below the full speech delivered by international olympic committee ioc president thomas bach during the opening ceremony of the olympic winter games beijing 2022 today 4 february 2022 dear fellow olympians your excellency xi jinping president of the people s republic of china

opening speech 10 examples format sample examples - Feb 09 2023

web an opening speech is a talk that people give to welcome guests and give a brief overview of what will happen in an event people give this type of speech during formal and informal gatherings just as the name states the purpose of an

welcome speech for conference in english best examples - Feb 26 2022

web aug 7 2021 welcome speech for conference the opening speech for a conference normally explains in a brief run through about the list of events planned for the day against a corresponding timeline the host discusses the theme and context of the conference in a welcome speech

short welcome speech 10 examples format sample - Oct 05 2022

web a welcome speech as the name suggests is a type of speech that is mostly given by the host or hosts at the beginning of an event or a ceremony this is where the speaker is showing some gratitude and appreciation for the people who

[welcome speech for an event in english infinity learn](#) - Aug 03 2022

web we have come up with this article to help our readers craft the best welcome speeches welcome speech for an event whether it s a corporate event school event college event or a social event all the probable speech topics have been covered in a simple and easy to understand manner here

speeches from the opening ceremony international students - Aug 15 2023

web aug 15 2022 dear new students first of all i would like to welcome you to the university of oslo congratulations on gaining a place at norway s best university a special welcome to our international students you bring new perspectives that we are eager to learn from i hope you will enjoy your stay and make many new friends

how to write a welcome speech 11 steps with pictures wikihow - May 12 2023

web jul 29 2023 express your gratitude towards the guests for attending by using a phrase such as it s so wonderful to see you all here on this sunny day 2 for an event with close friends and family more informal language might be appropriate include a few jokes and keep your speech more lighthearted

welcome speech in english best samples examples tips - Jul 14 2023

web a short opening speech for a commencement ceremony to everyone present good morning a very warm welcome to our respected faculty our remarkable parents and our dear students

master of ceremony opening speech expertmc - Dec 07 2022

web preparing a great master of ceremony opening speech it s unlikely that you are the organiser of the event itself though this formula is just as useful if you are and are writing your own opening speech

welcome speech guest introduction how to welcome chief - Mar 30 2022

web aug 4 2023 welcoming parents parents are the world for children not to overlook that we are here joined by the wonderful parents who have raised the best students this school possesses with immense admiration and affection we welcome all the parents who made the efforts to join this ceremony

how to write a welcome speech academic conference edition - Mar 10 2023

web aug 26 2022 a welcome speech or address sets the tone for a conference or event the speech must describe what s to come and get everyone excited for the event and feel welcome it should also create an appropriate environment for knowledge sharing

strahlströme ihr einfluß auf das wetter verständliche - May 22 2022

web sep 25 2023 strahlströme ihr einfluß auf das wetter verständliche wissenschaft 108 band 108 by elmar r reiter wetter und klima deutscher wetterdienst leistungen strahlung und strahlungsgesetze uni muenchen de full text of deutsche schriften neue und verb geolinde geolexikon strahlströme strahlströme ihr einfluss auf das wetter book 1970

strahlungsstrom lexikon der physik spektrum de - Oct 27 2022

web lexikon der physik strahlungsstrom strahlungsstrom strahlungsstrom strahlungsfluß die die einheitsfläche je sekunde und je wellenlängeneinheit oder je frequenzeinheit durchsetzende energie oder die auf diese fläche je sekunde auftreffende energie temperaturberechnung der venusatmosphäre bis 80 km höhe aufgrund solarer

strahlströme ihr einfluß auf das wetter ihr einfluss auf das wetter - Feb 28 2023

web strahlströme ihr einfluß auf das wetter ihr einfluss auf das wetter 108 verständliche wissenschaft r reiter elmar amazon es libros

pdf strahlstrome ihr einfluss auf das wetter verstand - May 02 2023

web strahlstrome ihr einfluss auf das wetter verstand das wetter und seine ursachen nov 25 2022 das vorliegende buch soll dem leser einige erkenntnisse mitteilen die über die ursachen und das wesen des wettergeschehens während der letzten zwei jahrzehnte gewonnen wurden es erhebt dem umfang entspre

ebook strahlstrome ihr einfluss auf das wetter verstand - Apr 01 2023

web strahlstrome ihr einfluss auf das wetter verstand ostasiatische kunst und ihr einfluss auf europa jun 09 2020 unveränderter nachdruck der originalausgabe von 1906 arabische und islamische philosophie und ihr einfluß auf das europäische denken feb 10 2023 geschichte und inhalte der arabischen und islamischen philosophie und ihr einfluß

strahlstrom wikipedia - Sep 25 2022

web strahlstrom strahlstrom bezeichnet das windsystem des jetstreams scharf begrenzte strömungskanäle in flüssigkeiten und gasen siehe strahlstrom fluid der strom des strahls in einem teilchenbeschleuniger siehe strahlstrom teilchenbeschleuniger

strahlstrom lexikon der geographie spektrum de - Jul 04 2023

web strahlströme haben meist eine vertikale mächtigkeit von 1 3 km in horizontalrichtung eine breite von 100 500 km und eine länge von bis zu mehreren 1000 km die geschwindigkeiten liegen im mittel zwischen 40 und 75 m s erreichen aber in extremfällen bis zu 170 m s ca 600 km h

strahlströme ihr einfluß auf das wetter verständliche - Feb 16 2022

web sep 14 2023 grundlagen einfluss strahlen sie wärme aus harvard business hochspannungsleitungen könnten krank machen angst der wetterlexikon strahlung wetter de full text of vierteljahrsschrift der naturforschenden wetter und klima deutscher wetterdienst leistungen strahlströme ihr einfluss auf das wetter book 1970 wetter net

strahlströme ihr einfluß auf das wetter verständliche - Apr 20 2022

web aug 5 2023 strahlstrom wetter de forser finden grund für extrem wetter deshalb erwärmt strahlungsberechnung für infrarot flächenheizkörper zur große windparks ihr einfluss auf das klima und ihre strahlung wetter lexikon alle fachbegriffe

strahlstrome ihr einfluss auf das wetter verstand qr bonide - Aug 05 2023

web strahlstrome ihr einfluss auf das wetter verstand das buch der bücher naturwissenschaftliche rundschau archiv für meteorologie geophysik und bioklimatologie bonner geographische abhandlungen strahlströme jet streams dt ihr einfluß auf d wetter studien zu den niederschlagsverhältnissen in der turkei unter catalog of

strahlstrome ihr einfluss auf das wetter verstand - Jun 22 2022

web this is likewise one of the factors by obtaining the soft documents of this strahlstrome ihr einfluss auf das wetter verstand by online you might not require more era to spend to go to the ebook foundation as capably as search for them in some cases you likewise complete not discover the statement strahlstrome ihr einfluss auf das wetter

strahlstrom lexikon der physik spektrum de - Jan 30 2023

web lexikon der physik strahlstrom strahlstrom jetstream starker luftstrom bis 200 km h in der oberen troposphäre und unteren stratosphäre zwei strahlstrom systeme treten in jeder hemisphäre auf der subtropenjet und der polarfrontjet

strahlströme ihr einfluß auf das wetter verständliche - Mar 20 2022

web april 14th 2020 strahlstrome ihr einfluß auf das wetter duitstalig paperback 9783540050346 januari 1970 198 pagina s strahlstrome is een boek van elmar r reiter meer 55 99 2 5 strahlströme ihr einfluss auf das wetter book 1970 april 29th 2020 covid 19 resources reliable information about the coronavirus covid 19 is available from

strahlströme ihr einfluß verständliche wissenschaft by elmar r - Dec 29 2022

web spektrum de strahlströme oder jetstreams wetterdienst de große windparks ihr einfluss auf das klima und ihre behauptung kosmische strahlung verursacht den 2 6 temperaturstrahlun g 1 Grundlagen Forscher finden Grund für extrem wetter deshalb erwärmt Sonneneinstrahlung wetter renewable energy concepts p 1

wetterlexikon strahlstrom wetter de - Jun 03 2023

web may 10 2019 ein strahlstrom oder jetstream bezeichnet sich dynamisch verschiebende streifen aus starkwind die der gruppe der geostrophischen winde angehören ein strahlstrom tritt in etwa 20 km höhe obere troposphäre bis stratosphäre auf und erreicht eine geschwindigkeit von bis zu 540 km h je weiter das strömungszentrum entfernt

strahlstrome ihr einfluss auf das wetter verstand pdf - Aug 25 2022

web 2 strahlstrome ihr einfluss auf das wetter verstand 2020 05 30 strahlstrome ihr einfluss auf das wetter verstand 2020 05 30 breanna kasey rauschgift drogen springer verlag das buch stellt eine bestandsaufnahme dar welche veränderungen in der terrestrischen vegetation der erde bereits heute mit gewissheit oder hoher

strahlstrome ihr einfluss auf das wetter verstand - Jul 24 2022

web strahlstrome ihr einfluss auf das wetter verstand 1 strahlstrome ihr einfluss auf das wetter verstand halbjährliches verzeichnis taschenbücher zur klimatologie des nw karakorum und angrenzender gebiete strahlstrome ihr einfluss auf das wetter verstand downloaded from api4 nocvedcu cz by guest samir izaiah

strahlstrome ihr einfluss auf das wetter verstand - Oct 07 2023

web strahlstrome ihr einfluss auf das wetter verstand naturwissenschaftliche umschau der chemiker zeitung dec 17 2021
 annales academiae scientiarum fennicae feb 04 2021 meteorologie sep 13 2021 das wetter nov 27 2022 das themenheft das
 wetter ist ihr perfekter begleiter um gemeinsam mit ihren

strahlströme ihr einfluß auf das wetter verständliche - Sep 06 2023

web strahlströme ihr einfluß auf das wetter verständliche wissenschaft 108 band 108 by elmar r reiter der einfluss der
 strahlung und der temperatur auf den schmelzprozess der schneedecke einfluss der stickstoffdüngung und der
 landwirtschaftlichen bewirtschaftungsweise auf die nitratauswaschung ins grundwasser wetter 86 natur 75

strahlströme ihr einfluß auf das wetter verständliche - Nov 27 2022

web serdampf auf das wird zusätzlich durch den einfluss der technischen strahlung auf die wasserstoffbrückenbindung auf
 eine sehr gefährliche weise begünstigt denn wasser wird durch die auflösung der wasserstoffbrücken gasförmig die folge ist
 eine erhöhte

modern macrame 33 stylish projects for your handmade home - Feb 09 2023

web jul 7 2018 modern macrame 33 stylish projects for your handmade home 33 projects for crafting your handmade home
 emily katz amazon co uk books

modern macrame 33 stylish projects for your handmade home - Nov 06 2022

web modern macramé is a stylish contemporary guide to the traditional art and craft of macramé including 33 projects from
 driftwood wall art and bohemian light fixtures to macramé rugs and headboards

modern macrame 33 stylish projects for your handmade home - Dec 07 2022

web may 15 2018 modern macrame 33 stylish projects for your handmade home kindle edition by katz emily download it
 once and read it on your kindle device pc phones or tablets use features like bookmarks note taking and highlighting while
 reading modern macrame 33 stylish projects for your handmade home

modern macrame 33 stylish projects for your handmade home - Mar 10 2023

web nov 3 2019 the ultimate guide to creating and styling modern macrame projects in the home from top creative
 tastemaker and sought after macrame artist emily katz macrame the fine art of knotting is an

pdf epub modern macrame 33 stylish projects for your - May 12 2023

web apr 16 2022 modern macrame is a stylish contemporary guide to the traditional art and craft of macrame including 33
 projects from driftwood wall art and bohemian light fixtures to macrame rugs and headboards the projects are showcased in
 easy to follow and photogenic project layouts guiding both the novice and the more experienced crafter in

modern macrame 33 stylish projects for your handma - Oct 05 2022

web modern macrame 33 stylish projects for your handma macrame decor aug 27 2022 enjoy learning how to knot and create stunning pieces of macramé with this beautiful book macramé décor introduces fashionable and useful interior décor items created with macramé a form of textile created using knotting techniques

modern macramé materials for all modern macramÉ - Feb 26 2022

web modern macramé materials for all modern macramÉ your online source for diy macramé supplies cotton rope and cord macramé patterns and tutorials wall hangings plant hangers inspiration and workshops in person and online

modern macrame 33 stylish projects for your handmade home - Apr 30 2022

web jul 4 2018 modern macramé is a stylish contemporary guide to the traditional art and craft of macramé including 33 projects from driftwood wall art and bohemian light fixtures to macramé rugs and headboards

modern macrame 33 stylish projects for your handmade home - Apr 11 2023

web modern macrame 33 stylish projects for your handmade home ebook written by emily katz read this book using google play books app on your pc android ios devices download for

[modern macrame 33 stylish projects for your handmade home](#) - Jun 13 2023

web modern macrame 33 stylish projects for your handmade home emily katz amazon com tr kitap

modern macrame 33 stylish projects for your handmade home - Jun 01 2022

web buy the book modern macrame 33 stylish projects for your handmade home by emily katz at indigo

[modern macrame 33 stylish projects for your handmade home](#) - Sep 04 2022

web modern macrame is a stylish contemporary guide to the traditional art and craft of macrame including 33 projects from driftwood wall art and bohemian light fixtures to macrame rugs and headboards the projects are showcased in easy to follow and photogenic project layouts guiding both the novice and the more experienced crafter in

modern macramé modernmacrame instagram photos and - Jan 28 2022

web 287k followers 1 982 following 2 478 posts see instagram photos and videos from modern macramé modernmacrame

modern macrame 33 stylish projects for your handmade home - Mar 30 2022

web may 15 2018 modern macramé is a stylish contemporary guide to the traditional art and craft of macramé including 33 projects from driftwood wall art and bohemian light fixtures to macramé rugs and headboards the projects are showcased in easy to follow and photogenic project layouts guiding both the novice and the more experienced

modern macrame 33 stylish projects for your handmade home - Aug 03 2022

web product description the ultimate guide to creating and styling modern macramé projects in the home from top creative tastemaker and sought after macramé artist emily katz macramé the fine art of knotting is an age old craft that s undergoing

a

modern macrame 33 stylish projects for your handmade home - Jul 02 2022

web may 15 2018 modern macramé is a stylish contemporary guide to the traditional art and craft of macramé including 33 projects from driftwood wall art and bohemian light fixtures to macramé rugs and headboards the projects are showcased in easy to follow and photogenic project layouts guiding both the novice and the more experienced

modern macrame 33 stylish projects for your handma 2023 - Dec 27 2021

web modern macrame 33 stylish projects for your handma hello macrame may 03 2020 say hello to today s young fun craft of macramé inside you ll find thirteen contemporary projects that dramatically update this vintage art with savvy designs for accessories and home decor hello macramé shows you how to make fabulous knotted creations

modern macrame 33 stylish projects for your handmade home - Aug 15 2023

web modern macramé is a stylish contemporary guide to the traditional art and craft of macramé including 33 projects from driftwood wall art and hanging herb gardens to macramé room dividers and headboards

modern macrame 33 stylish projects for your handmade home goodreads - Jan 08 2023

web may 15 2018 modern macramé is a stylish contemporary guide to the traditional art and craft of macramé including 33 projects from driftwood wall art and bohemian light fixtures to macramé rugs and headboards

modern macrame 33 stylish projects for your handmade home - Jul 14 2023

web may 15 2018 modern macramé is a stylish contemporary guide to the traditional art and craft of macramé including 33 projects from driftwood wall art and bohemian light fixtures to macramé rugs and headboards the projects are showcased in easy to follow and photogenic project layouts guiding both the novice and the more experienced