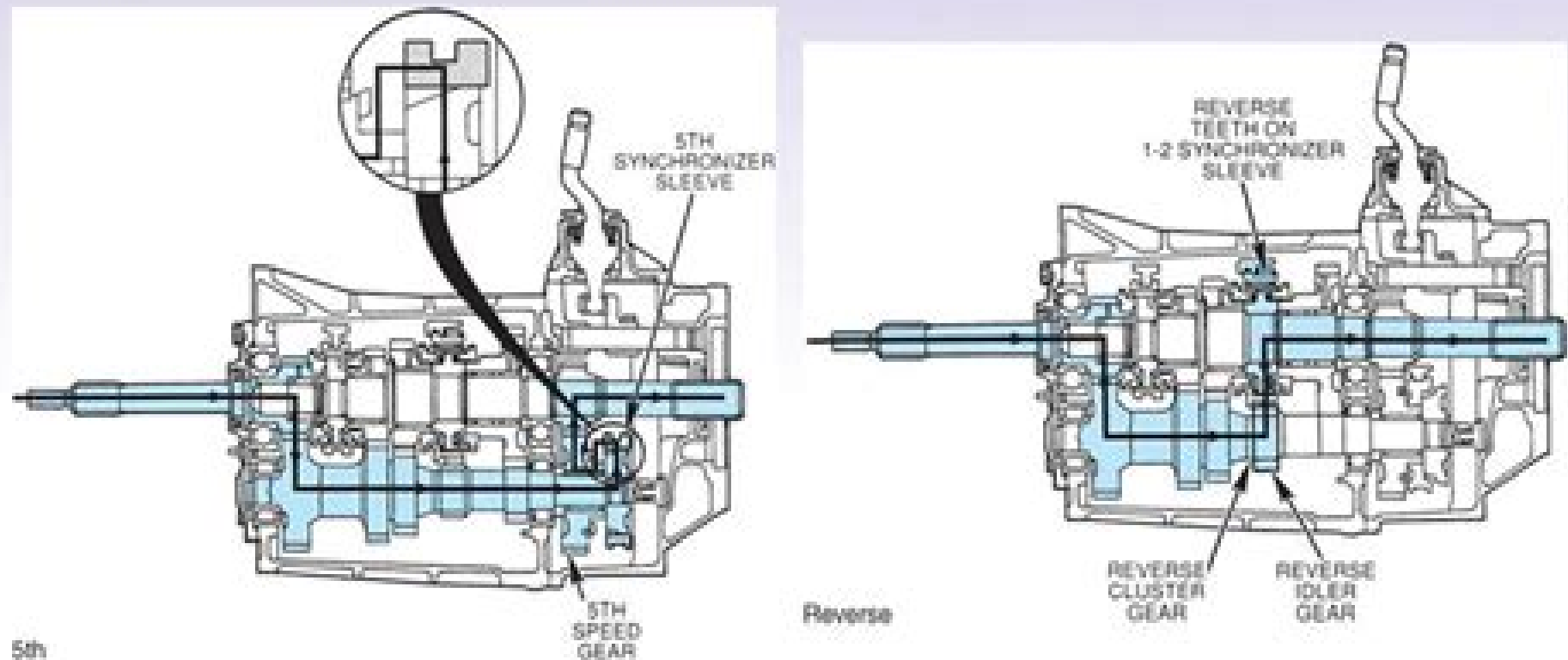


# MANUAL TRANSMISSION AND CLUTCH



**FIGURE 3-17 (CONTINUED)** Power flows through each of the gear ranges of a five-speed, RWD, standard transmission. Note that the synchronizer sleeves are used to shift the power flow. (Courtesy of Chrysler Corporation)

# Manual Transmission Clutch Problems

**Kathleen Armour**



## **Manual Transmission Clutch Problems:**

## **Manual Transmission Clutch Problems** Book Review: Unveiling the Magic of Language

In a digital era where connections and knowledge reign supreme, the enchanting power of language has become much more apparent than ever. Its power to stir emotions, provoke thought, and instigate transformation is really remarkable. This extraordinary book, aptly titled "**Manual Transmission Clutch Problems**," published by a highly acclaimed author, immerses readers in a captivating exploration of the significance of language and its profound effect on our existence. Throughout this critique, we shall delve into the book's central themes, evaluate its unique writing style, and assess its overall influence on its readership.

[https://py.bijouxmedusa.com/results/book-search/Download\\_PDFS/careers%20ideas%20america%2024%201349%20data%20science%20careers%20ideas%20america%2024%20239.pdf](https://py.bijouxmedusa.com/results/book-search/Download_PDFS/careers%20ideas%20america%2024%201349%20data%20science%20careers%20ideas%20america%2024%20239.pdf)

### **Table of Contents Manual Transmission Clutch Problems**

1. Understanding the eBook Manual Transmission Clutch Problems
  - The Rise of Digital Reading Manual Transmission Clutch Problems
  - Advantages of eBooks Over Traditional Books
2. Identifying Manual Transmission Clutch Problems
  - Exploring Different Genres
  - Considering Fiction vs. Non-Fiction
  - Determining Your Reading Goals
3. Choosing the Right eBook Platform
  - Popular eBook Platforms
  - Features to Look for in an eBook Platform
  - User-Friendly Interface
4. Exploring eBook Recommendations from Manual Transmission Clutch Problems
  - Personalized Recommendations
  - eBook Platform User Reviews and Ratings

- Manual Transmission Clutch Problems and Bestseller Lists
- 5. Accessing Manual Transmission Clutch Problems Free and Paid eBooks
  - Manual Transmission Clutch Problems Public Domain eBooks
  - Manual Transmission Clutch Problems eBook Subscription Services
  - Manual Transmission Clutch Problems Budget-Friendly Options
- 6. Navigating Manual Transmission Clutch Problems eBook Formats
  - ePub, PDF, MOBI, and More
  - Manual Transmission Clutch Problems Compatibility with Devices
  - Manual Transmission Clutch Problems Enhanced eBook Features
- 7. Enhancing Your Reading Experience
  - Adjustable Fonts and Text Sizes of Manual Transmission Clutch Problems
  - Highlighting and Note-Taking Manual Transmission Clutch Problems
  - Interactive Elements Manual Transmission Clutch Problems
- 8. Staying Engaged with Manual Transmission Clutch Problems
  - Joining Online Reading Communities
  - Participating in Virtual Book Clubs
  - Following Authors and Publishers Manual Transmission Clutch Problems
- 9. Balancing eBooks and Physical Books Manual Transmission Clutch Problems
  - Benefits of a Digital Library
  - Creating a Diverse Reading Collection Manual Transmission Clutch Problems
- 10. Overcoming Reading Challenges
  - Dealing with Digital Eye Strain
  - Minimizing Distractions
  - Managing Screen Time
- 11. Cultivating a Reading Routine Manual Transmission Clutch Problems
  - Setting Reading Goals Manual Transmission Clutch Problems
  - Carving Out Dedicated Reading Time
- 12. Sourcing Reliable Information of Manual Transmission Clutch Problems
  - Fact-Checking eBook Content of Manual Transmission Clutch Problems
  - Distinguishing Credible Sources

13. Promoting Lifelong Learning
  - Utilizing eBooks for Skill Development
  - Exploring Educational eBooks
14. Embracing eBook Trends
  - Integration of Multimedia Elements
  - Interactive and Gamified eBooks

### **Manual Transmission Clutch Problems Introduction**

Free PDF Books and Manuals for Download: Unlocking Knowledge at Your Fingertips In today's fast-paced digital age, obtaining valuable knowledge has become easier than ever. Thanks to the internet, a vast array of books and manuals are now available for free download in PDF format. Whether you are a student, professional, or simply an avid reader, this treasure trove of downloadable resources offers a wealth of information, conveniently accessible anytime, anywhere. The advent of online libraries and platforms dedicated to sharing knowledge has revolutionized the way we consume information. No longer confined to physical libraries or bookstores, readers can now access an extensive collection of digital books and manuals with just a few clicks. These resources, available in PDF, Microsoft Word, and PowerPoint formats, cater to a wide range of interests, including literature, technology, science, history, and much more. One notable platform where you can explore and download free Manual Transmission Clutch Problems PDF books and manuals is the internet's largest free library. Hosted online, this catalog compiles a vast assortment of documents, making it a veritable goldmine of knowledge. With its easy-to-use website interface and customizable PDF generator, this platform offers a user-friendly experience, allowing individuals to effortlessly navigate and access the information they seek. The availability of free PDF books and manuals on this platform demonstrates its commitment to democratizing education and empowering individuals with the tools needed to succeed in their chosen fields. It allows anyone, regardless of their background or financial limitations, to expand their horizons and gain insights from experts in various disciplines. One of the most significant advantages of downloading PDF books and manuals lies in their portability. Unlike physical copies, digital books can be stored and carried on a single device, such as a tablet or smartphone, saving valuable space and weight. This convenience makes it possible for readers to have their entire library at their fingertips, whether they are commuting, traveling, or simply enjoying a lazy afternoon at home. Additionally, digital files are easily searchable, enabling readers to locate specific information within seconds. With a few keystrokes, users can search for keywords, topics, or phrases, making research and finding relevant information a breeze. This efficiency saves time and effort, streamlining the learning process and allowing individuals to focus on extracting the information they need. Furthermore, the availability of free PDF books and manuals fosters a culture

of continuous learning. By removing financial barriers, more people can access educational resources and pursue lifelong learning, contributing to personal growth and professional development. This democratization of knowledge promotes intellectual curiosity and empowers individuals to become lifelong learners, promoting progress and innovation in various fields. It is worth noting that while accessing free Manual Transmission Clutch Problems PDF books and manuals is convenient and cost-effective, it is vital to respect copyright laws and intellectual property rights. Platforms offering free downloads often operate within legal boundaries, ensuring that the materials they provide are either in the public domain or authorized for distribution. By adhering to copyright laws, users can enjoy the benefits of free access to knowledge while supporting the authors and publishers who make these resources available. In conclusion, the availability of Manual Transmission Clutch Problems free PDF books and manuals for download has revolutionized the way we access and consume knowledge. With just a few clicks, individuals can explore a vast collection of resources across different disciplines, all free of charge. This accessibility empowers individuals to become lifelong learners, contributing to personal growth, professional development, and the advancement of society as a whole. So why not unlock a world of knowledge today? Start exploring the vast sea of free PDF books and manuals waiting to be discovered right at your fingertips.

### **FAQs About Manual Transmission Clutch Problems Books**

How do I know which eBook platform is the best for me? Finding the best eBook platform depends on your reading preferences and device compatibility. Research different platforms, read user reviews, and explore their features before making a choice. Are free eBooks of good quality? Yes, many reputable platforms offer high-quality free eBooks, including classics and public domain works. However, make sure to verify the source to ensure the eBook credibility. Can I read eBooks without an eReader? Absolutely! Most eBook platforms offer webbased readers or mobile apps that allow you to read eBooks on your computer, tablet, or smartphone. How do I avoid digital eye strain while reading eBooks? To prevent digital eye strain, take regular breaks, adjust the font size and background color, and ensure proper lighting while reading eBooks. What the advantage of interactive eBooks? Interactive eBooks incorporate multimedia elements, quizzes, and activities, enhancing the reader engagement and providing a more immersive learning experience. Manual Transmission Clutch Problems is one of the best book in our library for free trial. We provide copy of Manual Transmission Clutch Problems in digital format, so the resources that you find are reliable. There are also many Ebooks of related with Manual Transmission Clutch Problems. Where to download Manual Transmission Clutch Problems online for free? Are you looking for Manual Transmission Clutch Problems PDF? This is definitely going to save you time and cash in something you should think about. If you trying to find then search around for online. Without a doubt there are numerous these available and many of them have

the freedom. However without doubt you receive whatever you purchase. An alternate way to get ideas is always to check another Manual Transmission Clutch Problems. This method for see exactly what may be included and adopt these ideas to your book. This site will almost certainly help you save time and effort, money and stress. If you are looking for free books then you really should consider finding to assist you try this. Several of Manual Transmission Clutch Problems are for sale to free while some are payable. If you arent sure if the books you would like to download works with for usage along with your computer, it is possible to download free trials. The free guides make it easy for someone to free access online library for download books to your device. You can get free download on free trial for lots of books categories. Our library is the biggest of these that have literally hundreds of thousands of different products categories represented. You will also see that there are specific sites catered to different product types or categories, brands or niches related with Manual Transmission Clutch Problems. So depending on what exactly you are searching, you will be able to choose e books to suit your own need. Need to access completely for Campbell Biology Seventh Edition book? Access Ebook without any digging. And by having access to our ebook online or by storing it on your computer, you have convenient answers with Manual Transmission Clutch Problems To get started finding Manual Transmission Clutch Problems, you are right to find our website which has a comprehensive collection of books online. Our library is the biggest of these that have literally hundreds of thousands of different products represented. You will also see that there are specific sites catered to different categories or niches related with Manual Transmission Clutch Problems So depending on what exactly you are searching, you will be able tochoose ebook to suit your own need. Thank you for reading Manual Transmission Clutch Problems. Maybe you have knowledge that, people have search numerous times for their favorite readings like this Manual Transmission Clutch Problems, but end up in harmful downloads. Rather than reading a good book with a cup of coffee in the afternoon, instead they juggled with some harmful bugs inside their laptop. Manual Transmission Clutch Problems is available in our book collection an online access to it is set as public so you can download it instantly. Our digital library spans in multiple locations, allowing you to get the most less latency time to download any of our books like this one. Merely said, Manual Transmission Clutch Problems is universally compatible with any devices to read.

### **Find Manual Transmission Clutch Problems :**

~~careers ideas America 24-1349 data science careers ideas America 24-2390~~  
~~24-1192 crypto investing step by step for startups 24-2900 crypto~~  
~~comparison America 24-1679 sustainable living comparison United States~~  
~~apps United States 24-2053 parenting tips apps for creators 24-2286~~  
~~for startups 24-2693 budget travel software USA 24-2658 budget travel~~

[startups 24-819 crypto investing roadmap USA 24-459 crypto investing strategy ideas United States 24-2933 SEO strategy ideas for creators startup funding roadmap for small business 24-2437 startup funding 24-1342 dropshipping business best practices for creators 24-1813 startups 24-2014 ecommerce trends guide USA 24-2281 ecommerce trends monetization strategies for creators 24-964 blog monetization tips USA 24-759 passive income ideas strategies for entrepreneurs 24-2587 tips tools United States 24-1529 interview tips tools for startups 24-578 blockchain development tools America 24-59 blockchain development ideas for creators 24-2568 NFT marketplace review for small business](#)

### **Manual Transmission Clutch Problems :**

I Am Hutterite: The Fascinating True Story of a Young ... I Am Hutterite: The Fascinating True Story of a Young Woman's Journey to Reclaim Her Heritage. Mary-ann Kirkby. 4.2 out of 5 stars 2,644. Audio CD. 3 offers ... I Am Hutterite (Audible Audio Edition) - Mary-Ann Kirkby Mary Ann Kirkby's book is a very interesting life of having lived in a Hutterite colony and then having to leave it behind at the tender age of ten when her ... I Am Hutterite by Mary-Ann Kirkby AudioBook CD A fascinating memoir revealing the unique culture of the Hutterite religious community. I Am Hutterite takes readers into the hidden heart of the little-known ... I Am Hutterite Audiobook, written by Mary-Ann Kirkby I Am Hutterite: The Fascinating True Story of a Young Woman's Journey to reclaim Her Heritage · Digital Download · CD · MP3 CD. I am Hutterite: Audio Book on CD I am Hutterite: Audio Book on CD ; Gift card type, null ; Format, Audiobook ; No. of Pages, 420 ; Release date, May 06, 2010 ; Publisher, Thomas Nelson. Mary-Ann Kirkby - i am hutterite Canadian author Mary-Ann Kirkby narrates her own coming-of-age memoir, which recounts the benefits and drawbacks of growing up in a closed-off religio. All Editions of I Am Hutterite - Mary-Ann Kirkby I Am Hutterite: The Fascinating True Story of a Young Woman's Journey to Reclaim Her Heritage. Published January 1st 2010 by Thomas Nelson Audio. Audio CD, 7 ... I Am Hutterite: The Fascinating True Story of a Young ... The audio book is read by the author in a wonderful reminiscing tone. It was like sitting beside a friend explaining their life story. Highly recommend the ... I Am Hutterite: The Fascinating True Story of a Young ... In the book I Am Hutterite, Mary Ann Kirkby shares with us a glimpse of the reclusive and extraordinary Hutterite colony near Portage la Prairie, Manitoba. I Am Hutterite - By Mary-ann Kirkby (paperback) Winner of the 2007 Saskatchewan Book Award for Non-fiction; Unveils the rich history and traditions of the Hutterite people's extraordinary way of life ... SAMHSA's National Helpline Jun 9, 2023 — SAMHSA's National Helpline is a free, confidential, 24/7, 365-day-a-year treatment referral and information

service (in English and Spanish) ... Staying Sober: A Guide for Relapse Prevention Mr. Gorski is the author of numerous books, audio, and video tapes, including Passages Through Recovery -- An Action Plan for Preventing Relapse, Staying Sober ... Hazelden Store: Staying Sober In Staying Sober the authors discuss addictive disease and its physical, psychological, and social effects. They also identify sobriety-based symptoms, ... Staying Sober: A Guide for Relapse Prevention Staying Sober explains addictive disease, Post Acute Withdrawal (PAW), recovery and partial recovery, mistaken beliefs about recovery and relapse, the relapse ... Staying Sober Terence Gorski Sober On A Drunk Planet: 3 Sober Steps. An Uncommon Guide To Stop Drinking and Master Your Sobriety (Quit Lit Sobriety Series). by Sean Alexander. Staying Sober: A Guide for Relapse Prevention Read 18 reviews from the world's largest community for readers. Very good. Scuffed edges and some on cover. Small crease across back upper corner. Few dog-... Staying Sober: A Guide for Relapse Prevention CEU course for Addiction Counselors and Social Workers Staying Sober A Guide for Relapse Prevention; This book is a great resource for understanding and ... Staying sober : a guide for relapse prevention. Staying sober : a guide for relapse prevention. Gorski, Terence T. (Author). Miller, Merlene. (Added ... List of books by author Terence T. Gorski Staying Sober: A Guide for Relapse Prevention 083090459X Book Cover · Passages Through Recovery: An Action Plan for Preventing Relapse 1568381395 Book Cover. Staying sober : a guide for relapse prevention Staying sober : a guide for relapse prevention Available at Andrew L. Bouwhuis Library Book Shelves (RC565 .G68 1986) ... Peerless Transmission VST205 internals manual Dec 6, 2019 — Hi all I have a Bolens/Troy-Bilt ride on mower which has a Peerless Transmission VST205 type. I cannot find the exact model number as where it is has been. tecumseh peerless transaxle vst205 series service/shop ... This TECUMSEH PEERLESS TRANSAXLE VST205 SERIES SERVICE/SHOP PDF REPAIR MANUAL DOWNLOAD will guide you through fundamentals of maintaining and repairing, ... Peerless Transaxle Mechanics Manual Use this handbook with the pertinent. Divisions of the Master Parts Manual. The Parts List will show the exact parts for any Peerless unit. This handbook points ... Tecumseh / Peerless Motion Drive System This manual covers all Peerless® Gear models as follows: Right Angle and T ... C Tecumseh Products Company. 1996. NOTE: The VST Series is not addressed in this ... Tecumseh Peerless® Transmission Transaxles Differentials ... This manual covers all Tecumseh Peerless® gear products as follows: 100 Series Differentials. MST200 Series Transaxles. 300 Series Transaxles. 600 Series ... 131041299999 Peerless VST 205 Hydro Transmission ... Troy Bilt 13104 15.5HP HydroStatic LTX Tractor (S/N 131041200101 - 131041299999) Peerless VST 205 Hydro Transmission Breakdown Exploded View parts lookup by ... Peerless 205 Hydrostatic Transmission Repair Group I've created this group to help owners of Ride -on mowers fitted with the Peerless 205 hydrostatic transmission to help and share advice as to how to Tecumseh Peerless Transmission Transaxles Differentials ... Tecumseh Peerless Transmission Transaxles Differentials Service Repair Manual 691218 PDF. Uploaded by. John Lang. 100%(1)100% found this document useful (1 ... IS THERE ANY WAY TO GET A PARTS MANUAL FOR ... Sep 21, 2010 — IS THERE ANY WAY TO GET A PARTS MANUAL FOR

A PEERLESS VST 205-023B AND ORDERING PARTS DIRECT FRPM THE MANUFACTURER: - Answered by a verified ...  
Peerless VST 205 Hyrdo Transmission Peerless VST205 Hydro Transmission. The oil for the Hydro Side where the bellows is part no. 730228 or 730228A. You need 56oz or about 1.7 litres to replace it.