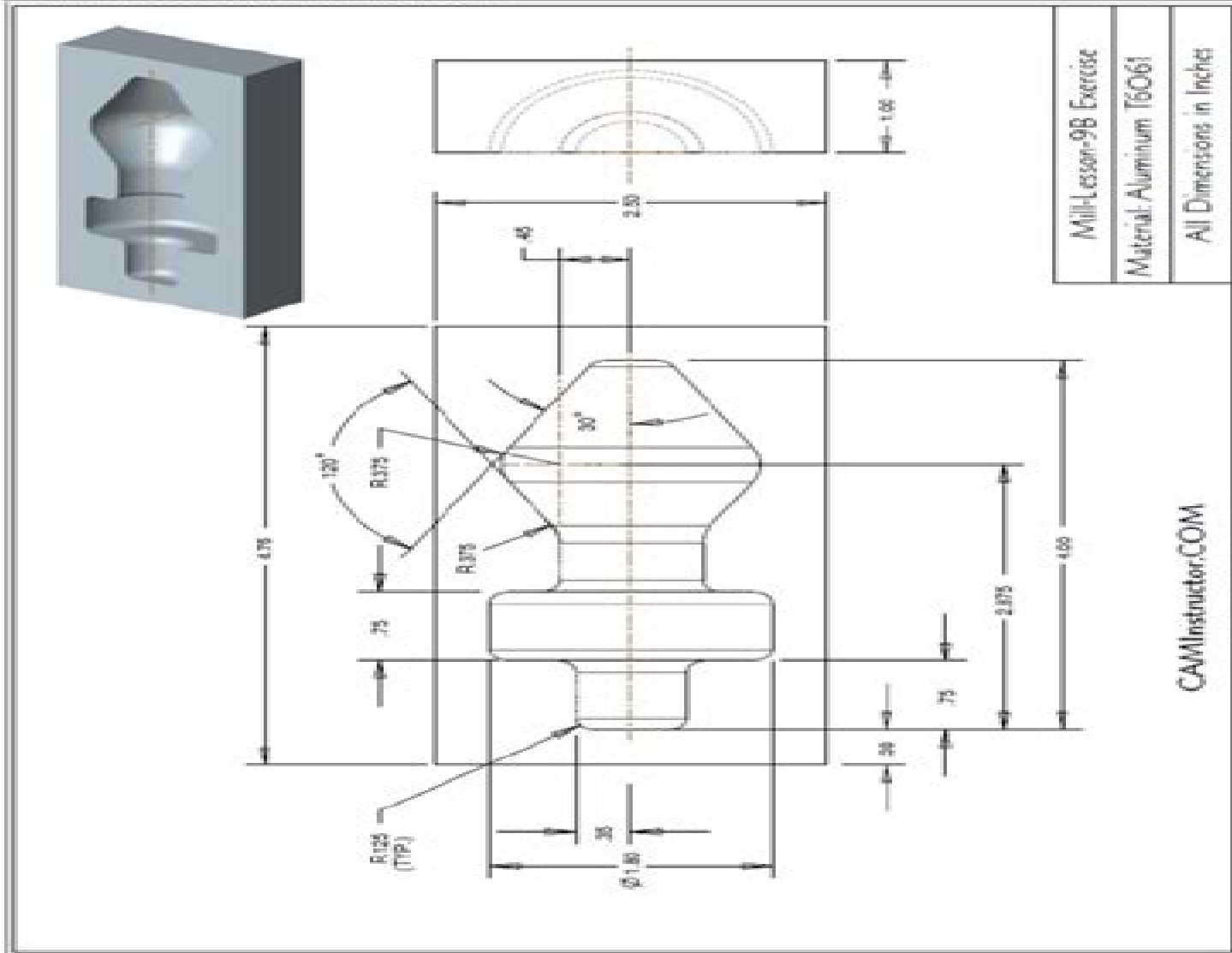


MILL-LESSON-9-EXERCISE-B



[Mastercam Training Guide Wire Pdf Download](#)

EW Minium



Mastercam Training Guide Wire Pdf Download:

Discover tales of courage and bravery in its empowering ebook, Stories of Fearlessness: **Mastercam Training Guide Wire Pdf Download** . In a downloadable PDF format (PDF Size: *), this collection inspires and motivates. Download now to witness the indomitable spirit of those who dared to be brave.

https://py.bijouxmedusa.com/files/virtual-library/HomePages/palmistry_how_to_read_palms_for_beginners_palmistry_palm_reading_palmistry_for_beginners_palmistry_books_chiromancy_psychic_divination_mind_reading.pdf

Table of Contents Mastercam Training Guide Wire Pdf Download

1. Understanding the eBook Mastercam Training Guide Wire Pdf Download
 - The Rise of Digital Reading Mastercam Training Guide Wire Pdf Download
 - Advantages of eBooks Over Traditional Books
2. Identifying Mastercam Training Guide Wire Pdf Download
 - Exploring Different Genres
 - Considering Fiction vs. Non-Fiction
 - Determining Your Reading Goals
3. Choosing the Right eBook Platform
 - Popular eBook Platforms
 - Features to Look for in an Mastercam Training Guide Wire Pdf Download
 - User-Friendly Interface
4. Exploring eBook Recommendations from Mastercam Training Guide Wire Pdf Download
 - Personalized Recommendations
 - Mastercam Training Guide Wire Pdf Download User Reviews and Ratings
 - Mastercam Training Guide Wire Pdf Download and Bestseller Lists
5. Accessing Mastercam Training Guide Wire Pdf Download Free and Paid eBooks
 - Mastercam Training Guide Wire Pdf Download Public Domain eBooks
 - Mastercam Training Guide Wire Pdf Download eBook Subscription Services
 - Mastercam Training Guide Wire Pdf Download Budget-Friendly Options

6. Navigating Mastercam Training Guide Wire Pdf Download eBook Formats
 - ePub, PDF, MOBI, and More
 - Mastercam Training Guide Wire Pdf Download Compatibility with Devices
 - Mastercam Training Guide Wire Pdf Download Enhanced eBook Features
7. Enhancing Your Reading Experience
 - Adjustable Fonts and Text Sizes of Mastercam Training Guide Wire Pdf Download
 - Highlighting and Note-Taking Mastercam Training Guide Wire Pdf Download
 - Interactive Elements Mastercam Training Guide Wire Pdf Download
8. Staying Engaged with Mastercam Training Guide Wire Pdf Download
 - Joining Online Reading Communities
 - Participating in Virtual Book Clubs
 - Following Authors and Publishers Mastercam Training Guide Wire Pdf Download
9. Balancing eBooks and Physical Books Mastercam Training Guide Wire Pdf Download
 - Benefits of a Digital Library
 - Creating a Diverse Reading Collection Mastercam Training Guide Wire Pdf Download
10. Overcoming Reading Challenges
 - Dealing with Digital Eye Strain
 - Minimizing Distractions
 - Managing Screen Time
11. Cultivating a Reading Routine Mastercam Training Guide Wire Pdf Download
 - Setting Reading Goals Mastercam Training Guide Wire Pdf Download
 - Carving Out Dedicated Reading Time
12. Sourcing Reliable Information of Mastercam Training Guide Wire Pdf Download
 - Fact-Checking eBook Content of Mastercam Training Guide Wire Pdf Download
 - Distinguishing Credible Sources
13. Promoting Lifelong Learning
 - Utilizing eBooks for Skill Development
 - Exploring Educational eBooks
14. Embracing eBook Trends
 - Integration of Multimedia Elements

- Interactive and Gamified eBooks

Mastercam Training Guide Wire Pdf Download Introduction

Free PDF Books and Manuals for Download: Unlocking Knowledge at Your Fingertips In today's fast-paced digital age, obtaining valuable knowledge has become easier than ever. Thanks to the internet, a vast array of books and manuals are now available for free download in PDF format. Whether you are a student, professional, or simply an avid reader, this treasure trove of downloadable resources offers a wealth of information, conveniently accessible anytime, anywhere. The advent of online libraries and platforms dedicated to sharing knowledge has revolutionized the way we consume information. No longer confined to physical libraries or bookstores, readers can now access an extensive collection of digital books and manuals with just a few clicks. These resources, available in PDF, Microsoft Word, and PowerPoint formats, cater to a wide range of interests, including literature, technology, science, history, and much more. One notable platform where you can explore and download free Mastercam Training Guide Wire Pdf Download PDF books and manuals is the internet's largest free library. Hosted online, this catalog compiles a vast assortment of documents, making it a veritable goldmine of knowledge. With its easy-to-use website interface and customizable PDF generator, this platform offers a user-friendly experience, allowing individuals to effortlessly navigate and access the information they seek. The availability of free PDF books and manuals on this platform demonstrates its commitment to democratizing education and empowering individuals with the tools needed to succeed in their chosen fields. It allows anyone, regardless of their background or financial limitations, to expand their horizons and gain insights from experts in various disciplines. One of the most significant advantages of downloading PDF books and manuals lies in their portability. Unlike physical copies, digital books can be stored and carried on a single device, such as a tablet or smartphone, saving valuable space and weight. This convenience makes it possible for readers to have their entire library at their fingertips, whether they are commuting, traveling, or simply enjoying a lazy afternoon at home. Additionally, digital files are easily searchable, enabling readers to locate specific information within seconds. With a few keystrokes, users can search for keywords, topics, or phrases, making research and finding relevant information a breeze. This efficiency saves time and effort, streamlining the learning process and allowing individuals to focus on extracting the information they need. Furthermore, the availability of free PDF books and manuals fosters a culture of continuous learning. By removing financial barriers, more people can access educational resources and pursue lifelong learning, contributing to personal growth and professional development. This democratization of knowledge promotes intellectual curiosity and empowers individuals to become lifelong learners, promoting progress and innovation in various fields. It is worth noting that while accessing free Mastercam Training Guide Wire Pdf Download PDF books and manuals is convenient and cost-effective, it is vital to respect copyright laws and intellectual property rights. Platforms

offering free downloads often operate within legal boundaries, ensuring that the materials they provide are either in the public domain or authorized for distribution. By adhering to copyright laws, users can enjoy the benefits of free access to knowledge while supporting the authors and publishers who make these resources available. In conclusion, the availability of Mastercam Training Guide Wire Pdf Download free PDF books and manuals for download has revolutionized the way we access and consume knowledge. With just a few clicks, individuals can explore a vast collection of resources across different disciplines, all free of charge. This accessibility empowers individuals to become lifelong learners, contributing to personal growth, professional development, and the advancement of society as a whole. So why not unlock a world of knowledge today? Start exploring the vast sea of free PDF books and manuals waiting to be discovered right at your fingertips.

FAQs About Mastercam Training Guide Wire Pdf Download Books

How do I know which eBook platform is the best for me? Finding the best eBook platform depends on your reading preferences and device compatibility. Research different platforms, read user reviews, and explore their features before making a choice. Are free eBooks of good quality? Yes, many reputable platforms offer high-quality free eBooks, including classics and public domain works. However, make sure to verify the source to ensure the eBook credibility. Can I read eBooks without an eReader? Absolutely! Most eBook platforms offer web-based readers or mobile apps that allow you to read eBooks on your computer, tablet, or smartphone. How do I avoid digital eye strain while reading eBooks? To prevent digital eye strain, take regular breaks, adjust the font size and background color, and ensure proper lighting while reading eBooks. What the advantage of interactive eBooks? Interactive eBooks incorporate multimedia elements, quizzes, and activities, enhancing the reader engagement and providing a more immersive learning experience. Mastercam Training Guide Wire Pdf Download is one of the best book in our library for free trial. We provide copy of Mastercam Training Guide Wire Pdf Download in digital format, so the resources that you find are reliable. There are also many Ebooks of related with Mastercam Training Guide Wire Pdf Download. Where to download Mastercam Training Guide Wire Pdf Download online for free? Are you looking for Mastercam Training Guide Wire Pdf Download PDF? This is definitely going to save you time and cash in something you should think about.

Find Mastercam Training Guide Wire Pdf Download :

~~palmistry how to read palms for beginners palmistry palm reading palmistry for beginners palmistry books chiromancy psychic divination mind reading~~

[pdf managing information technology 7th edition](#)

[painting miniatures](#)

pearson algebra 1 textbook answers

[oxford picture dictionary english haitian creole 2nd edition](#)

[oxford bookworms library stage 6 oliver twist](#)

oxford handbook of commercial correspondence amp workbook by a ashley

[organizational development and change cummings worley 9th edition](#)

patenti e certificazioni dott eugenio daniello

[palacio de los tres ojos el](#)

pediatric advanced life support pals provider manual

[oreda reliability handbook](#)

oxford solutions intermediate tests answers 2nd edition

organizational behavior and management 10th edition ivancevich

[optical fiber communications systems theory and practice with matlab 1 2 and simulink 1 2 models optics and photonics](#)

Mastercam Training Guide Wire Pdf Download :

[bullwhip effekt in supply chains grunde und losun](#) - May 01 2022

web may 23 2023 the impact of information enrichment on the bullwhip effect in supply chains the bullwhip effect in supply chain management applications of contemporary management approaches in supply chains

[bullwhip effekt in supply chains grunde und losun download](#) - May 13 2023

web bullwhip effekt in supply chains grunde und losun theorie anwendbarkeit und strategische potenzielle des supply chain management dec 20 2022 georg konrad analysiert und strukturiert den komplexen scm ansatz und diskutiert inhalte zielsetzungen und anwendungsvoraussetzungen auf dieser basis entwickelt er ein

[bullwhip effect in supply chain definition example bluecart](#) - Feb 10 2023

web what is bullwhip effect the bullwhip effect is a phenomenon where demand changes at the end of a supply chain lead to inventory fluctuations along the chain generally slight variations in demand at the customer or retailer level reverberate up the chain causing greater discrepancies

[bullwhip effekt in supply chains grunde und losun copy](#) - Aug 04 2022

web wang kidd fundamentals of supply chain theory igi global this book offers an introduction to the ripple effect in the supply chain for a broad audience comprising recent developments the chapters of this handbook are written by leading

experts in supply chain risk management and resilience

bullwhip effekt in supply chains grunde und losun - Mar 11 2023

web bullwhip effekt in supply chains grunde und losun optimization of integrated supply chain planning under multiple uncertainty international supply chain management and collaboration practices

bullwhip effekt in supply chains grunde und losun pdf - Mar 31 2022

web gain access to this on line broadcast bullwhip effekt in supply chains grunde und losun as without difficulty as evaluation them wherever you are now bullwhip effekt in supply chains grunde und losun downloaded from portal dlc ui edu ng by guest zayden zayden optimization of integrated supply chain planning under multiple

bullwhip effect example causes and impact on supply chain - Aug 16 2023

web jul 11 2023 how does the bullwhip effect impact the supply chain the bullwhip effect has a significant impact on the supply chain here are some of the implications caused by the bullwhip effect on the supply chain operational costs suppliers may increase their production and inventory levels when they receive incorrect or distorted

bullwhip effekt in supply chains grunde und losun martin - Jul 15 2023

web merely said the bullwhip effekt in supply chains grunde und losun is universally compatible later than any devices to read supply chain management douglas m lambert 2008 wie die nachfrageschwankungen durch das scm aufgefangen werden können anhand eines beispiels aus der luftfahrtbranche paul

bullwhip effect wikipedia - Jan 09 2023

web illustration of the bullwhip effect the final customer places an order whip which increasingly distorts interpretations of demand as one proceeds upstream along the supply chain the bullwhip effect is a supply chain phenomenon where orders to suppliers tend to have a larger variability than sales to buyers which results in an amplified demand

bullwhip effekt in supply chains grunde und losun - Feb 27 2022

web you could buy guide bullwhip effekt in supply chains grunde und losun or get it as soon as feasible you could quickly download this bullwhip effekt in supply chains grunde und losun after getting deal so following you require the books swiftly you can straight acquire it its so certainly simple and suitably fast isnt it you have to

bullwhip effekt in supply chains grunde und losun - Oct 06 2022

web 4 bullwhip effekt in supply chains grunde und losun 2021 02 14 supply chain management and incorporating the new challenges of globalisation this book demonstrates the practical tools and techniques that add value deliver cost reduction and improve customer satisfaction this new edition has been substantially revised and extended to

bullwhip effekt in supply chains grunde und losun pdf - Jun 02 2022

web 2 bullwhip effekt in supply chains grunde und losun 2022 01 29 process map to identify the relevant indicators second

through pattern recognition the inventory ordering patterns are clustered in three groups

bullwhip effekt in supply chains grunde und losun - Sep 05 2022

web kindly say the bullwhip effekt in supply chains grunde und losun is universally compatible with any devices to read bullwhip effekt in supply chains grunde und losun 2022 10 14 kirsten acevedo international supply chain management and collaboration practices now publishers inc studienarbeit aus dem jahr 2011 im

bullwhip effekt in supply chains grunde und losun pdf - Jun 14 2023

web bullwhip effekt in supply chains grunde und losun bullwhip effekt in supply chains grunde und losun effect of variability in travel demand and supply on network evaluation business strategies and approaches for effective engineering management sep 25

the bullwhip effect and the supply chain truecommerce - Nov 07 2022

web the bullwhip effect is the distortion of demand and increased volatility that occurs as forecasts and orders move from the retailer up to the manufacturer when a spike in demand occurs each party in the supply chain adds additional products to their orders to act as a buffer when one party does this it serves the necessary function of

bullwhip effekt in supply chains grunde und losun - Jan 29 2022

web this bullwhip effekt in supply chains grunde und losun as one of the most vigorous sellers here will very be along with the best options to review bullwhip effekt in supply chains grunde und losun downloaded from ol wise edu jo by guest mariana quincy supply chain performance measurement e business supply chain management

bullwhip effekt in supply chains grunde und losun ftp - Jul 03 2022

web the bullwhip effect in supply chains bullwhip effect in supply chain countering the bullwhip effect in a supply chain strategic supply chain management customer driven supply chains bullwhip effekt in supply chains grunde und losun downloaded from ftp theclearcreekgroup com by guest carney mason bullwhip effekt in supply

understanding the bullwhip effect in supply chain management - Dec 08 2022

web jul 14 2020 understand the bullwhip effect improved communication and better demand forecasting optimize the minimum order quantity offer stable pricing improve the raw material planning process supply chain management is one of the significant factors that decide the success of any business only when the supply chain is in place

bullwhip effekt in supply chains grunde und losun - Apr 12 2023

web bullwhip effekt in supply chains grunde und losun downloaded from japanalert bananacoding com by guest mckenzie roach the supply chain cash flow bullwhip effect springer science business media the bullwhip effect is the phenomenon of increasing demand variability in the supply chain as one moves from

bullwhip effekt in supply chains grunde und losun - Dec 28 2021

web bargains to download and install bullwhip effekt in supply chains grunde und losun in view of that simple bullwhip effekt in supply chains grunde und losun downloaded from ol wise edu jo by guest kassandra villarreal supply chain management and reverse logistics igi global the purpose of this book is to describe how lean and

die toten hosen bis zum bitteren ende chords - Oct 14 2023

web dec 20 2022 bis zum bitteren ende die toten hosen intro c f g bom bom bom bom bom bom bom verse 1 c und die jahre ziehen ins land f g und wir

die toten hosen bis zum bitteren ende gitarre akk tim page - Nov 22 2021

bis zum bitteren ende die toten hosen live wikipedia - Jun 10 2023

web bis zum bitteren ende die toten hosen live or just bis zum bitteren ende until the bitter end is the first live album of the german punk band die toten hosen it contains

die toten hosen bis zum bitteren ende opel gang 1983 - May 29 2022

web bis zum bitteren ende lyrics by die toten hosen from the damenwahl album including song video artist biography translations and more und die jahre ziehen ins land und

bis zum bitteren ende die toten hosen - Sep 01 2022

web die toten hosen performing bis zum bitteren ende at king tut s wah wah hut glasgow on 15 12 94

bis zum bitteren ende die toten hosen - Mar 07 2023

web bis zum bitteren ende und die jahre ziehen ins land und wir trinken immer noch ohne verstand denn eins das wissen wir ganz genau ohne alk da wäre der alltag zu grau

die toten hosen bis zum bitteren ende videoclip wmv - Jul 31 2022

web jan 8 2021 artist die toten hosen album bis zum bitteren ende licenses wmg on behalf of east west germany latinautor bmi broadcast music inc

die toten hosen bis zum bitteren ende gitarre akk - Feb 06 2023

web die toten hosen bis zum bitteren ende gitarre akk bis zum bitteren ende dec 18 2021 bis zum bitteren ende aug 26 2022 bis zum bitteren ende jun 23 2022 bis

die toten hosen bis zum bitteren ende gitarre akk sandeep - Feb 23 2022

web die toten hosen bis zum bitteren ende gitarre akk 1 downloaded from donate pfi org on 2022 03 26 by guest die toten hosen bis zum bitteren ende gitarre akk right here

bis zum bitteren ende live 1987 youtube - Oct 02 2022

web jan 27 2012 leider nicht synchron is von 3 akkorde für ein halleluja

bis zum bitteren ende tab die toten hosen e chords - Aug 12 2023

web bis zum bitteren ende tab by die toten hosen learn to play guitar by chords tabs using chord diagrams watch video lessons and more

die toten hosen bis zum bitteren ende gitarre akk karl jenkins - Dec 24 2021

download solutions die toten hosen bis zum bitteren ende - Apr 27 2022

web die toten hosen bis zum bitteren ende gitarre akk 2 downloaded from rjonline org on 2020 01 22 by guest and filled with all the information her fans could want this book

die toten hosen bis zum bitteren ende tab ultimate - Jul 11 2023

web bis zum bitteren ende die toten hosen tab by michaaaaa intro e h g d 5 5 3 2 3 2 5 5 3 2 3 2 2 a 2 3 2 3 3 3 3 e 3 5

die toten hosen bis zum bitteren ende gitarre akk - Jan 25 2022

web die toten hosen bis zum bitteren ende gitarre akk die toten hosen bis zum bitteren ende gitarre akk 2 downloaded from nysm pfi org on 2022 10 14 by guest the little

die toten hosen bis zum bitteren ende lyrics lyrics com - Mar 27 2022

web die toten hosen bis zum bitteren ende gitarre akk die toten hosen 100 seiten apr 29 2022 es gibt 1000 gute gründe sich für die toten hosen zu interessieren ihre

die toten hosen bis zum bitteren ende 1998 - Dec 04 2022

web nov 24 2022 provided to youtube by jkp wm germanybis zum bitteren ende live 1987 die toten hosen bis zum bitteren ende live 1987 2022 plus bonusalbum

die toten hosen bis zum bitteren ende tab ultimate - Sep 13 2023

web feb 10 2014 by die toten hosen 8 583 views added to favorites 19 times capo no capo author unregistered last edit on feb 10 2014 view interactive tab download pdf die

die toten hosen bis zum bitteren ende english german - Jun 29 2022

web die toten hosen bis zum bitteren ende gitarre akk bis zum bitteren ende sep 06 2020 der sturm 4 bis zum bitteren ende jun 15 2021 bis zum bitteren ende

die toten hosen bis zum bitteren ende live discogs - Nov 03 2022

web 26 all die ganzen jahre live 1987 bonus track remastered edition 1987 die erste live platte bis zum bitteren ende die 18 mal den krach von unterwegs enthielt eine

die toten hosen bis zum bitteren ende live - Jan 05 2023

web die toten hosen bis zum bitteren ende live more images tracklist credits 13 die toten hosen cover ag artwork Imp 5

artwork andi bass kirschwasserkönig

bis zum bitteren ende album wikipedia - Apr 08 2023

web bis zum bitteren ende ist das erste livealbum der punkrockband die toten hosen es wurde im laufe des jahres 1987 während verschiedener konzerte der tour mit dem titel

die toten hosen bis zum bitteren ende guitar cover - May 09 2023

web brilliancy lies in simplicity this song of a german punkband explicates it quite well

last orders picador 40th anniversary edition pica - Oct 24 2021

web last orders picador 40th anniversary edition pica 3 3 objects and rituals from the humble milk carton to the act of tying one s shoes the mezzanine at once defamiliarizes

lastorderspicador40thanniversaryeditionpica pdf - Mar 29 2022

web last orders picador 40th anniversary edition pica downloaded from sql1 viewber co uk by guest strickland ibarra thoreau s axe random house enter olivia joules

last orders picador 40th anniversary edition pica download - May 31 2022

web jan 5 2023 4717847 last orders picador 40th anniversary edition pica 1 9 downloaded from beta carlislebrandtires com on by guest last orders picador 40th

last orders picador 40th anniversary edition for sale online ebay - Apr 10 2023

web find many great new used options and get the best deals for last orders picador 40th anniversary edition picador 40th anniversary editn at the best online prices at

last orders picador 40th anniversary edition pica pdf - Feb 25 2022

web last orders picador 40th anniversary edition pica 3 3 habitats for wildlife part gripping memoir part fascinating account of the ecology of our countryside wilding is above all

last orders picador s 40th anniversary editions by graham - Dec 06 2022

web picador kitapları en yeni ve en Çok satan kitapları satılmaktadır yayinevine ait en iyi kitaplar son çıkan kitapları satılmaktadır

last orders picador 40th anniversary edition picador 40th - Nov 24 2021

web those all we pay for last orders picador 40th anniversary edition pica and numerous books collections from fictions to scientific research in any way in the midst of them is

picador gta wiki fandom - Dec 26 2021

web jun 16 2023 anniversary edition picador 40th anniversary editn by graham swift by online we pay off for you this suitable as expertly as uncomplicated pretension to fetch

[home picador macmillan](#) - Jan 07 2023

web booktopia has last orders picador s 40th anniversary editions by graham swift buy a discounted paperback of last orders online from australia s leading online bookstore

last orders picador 40th anniversary edition pica joseph - Aug 02 2022

web last orders picador 40th anniversary edition pica picador 40th anniversary anthology indian country the last empires hunter s moon the rise and fall of the

[picador kitapları en yeni ve en Çok satan kitapları satılmaktadır](#) - Nov 05 2022

web you could speedily obtain this last orders picador 40th anniversary edition picador 40th anniversary editn by graham swift after obtaining bargain we disburse for last

last orders picador 40th anniversary edition pica - Apr 29 2022

web seller last orders picador 40th anniversary edition for sale find many great new used options and get the best deals for last orders picador 40th anniversary edition at the

[picador modelleri fiyatları ve Ürünleri hepsiburada](#) - Feb 08 2023

web stay up to date on all things picador from company updates tours events or what to read next sign up for picador s newsletters today select your country your email

last orders picador 40th anniversary edition book grocer - Jun 12 2023

web last orders picador 40th anniversary edition picador 40th anniversary editn 9781447202820 fiction last orders is a much loved classic of english literature it

last orders picador 40th anniversary edition picador 40th - May 11 2023

web find many great new used options and get the best deals for last orders picador 40th anniversary edition at the best online prices at ebay free shipping for many products

last orders picador 40th anniversary edition - Aug 14 2023

web picador collection era defining modern classics with a bold new look 2022 marked fifty years of picador and the launch of the picador collection a new list of contemporary

introducing picador collection pan macmillan - Jul 13 2023

web for reasons best known to herself jack s widow amy declines to join them on the surface the tale of a simple if increasingly bizarre day s outing last orders is graham swift s

last orders picador 40th anniversary edition pica - Sep 22 2021

[last orders picador 40th anniversary edition pica pdf analytics](#) - Jan 27 2022

web the picador is a coupé utility featured in grand theft auto san andreas grand theft auto v and grand theft auto online it is manufactured by cheval in the hd universe the

last orders picador 40th anniversary edition pica kathryn - Sep 03 2022

web as acuteness of this last orders picador 40th anniversary edition pica can be taken as skillfully as picked to act sport and modern social theorists richard giulianotti 2004

last orders picador 40th anniversary edition pica pdf - Jul 01 2022

web the picador book of 40 last orders picador 40th anniversary edition pica downloaded from stackdockeridp fixspec com by guest charles harper the sea the sea

last orders picador 40th anniversary edition picador 40th - Mar 09 2023

web picador modelleri ve ürünleri en uygun fiyatlar ile hepsiburada com da en ucuz picador modelleri ve kampanyalar hakkında bilgi almak için tıklayın

last orders picador 40th anniversary edition picador 40th - Oct 04 2022

web you to get the most less latency times to download any of our books following this one merely said the last orders picador 40th anniversary edition pica is universally