

CAPACITOR

G107

C130

POWERTRAIN CONTROL MODULE C1

POWERTRAIN CONTROL MODULE C2

POWERTRAIN CONTROL MODULE C4

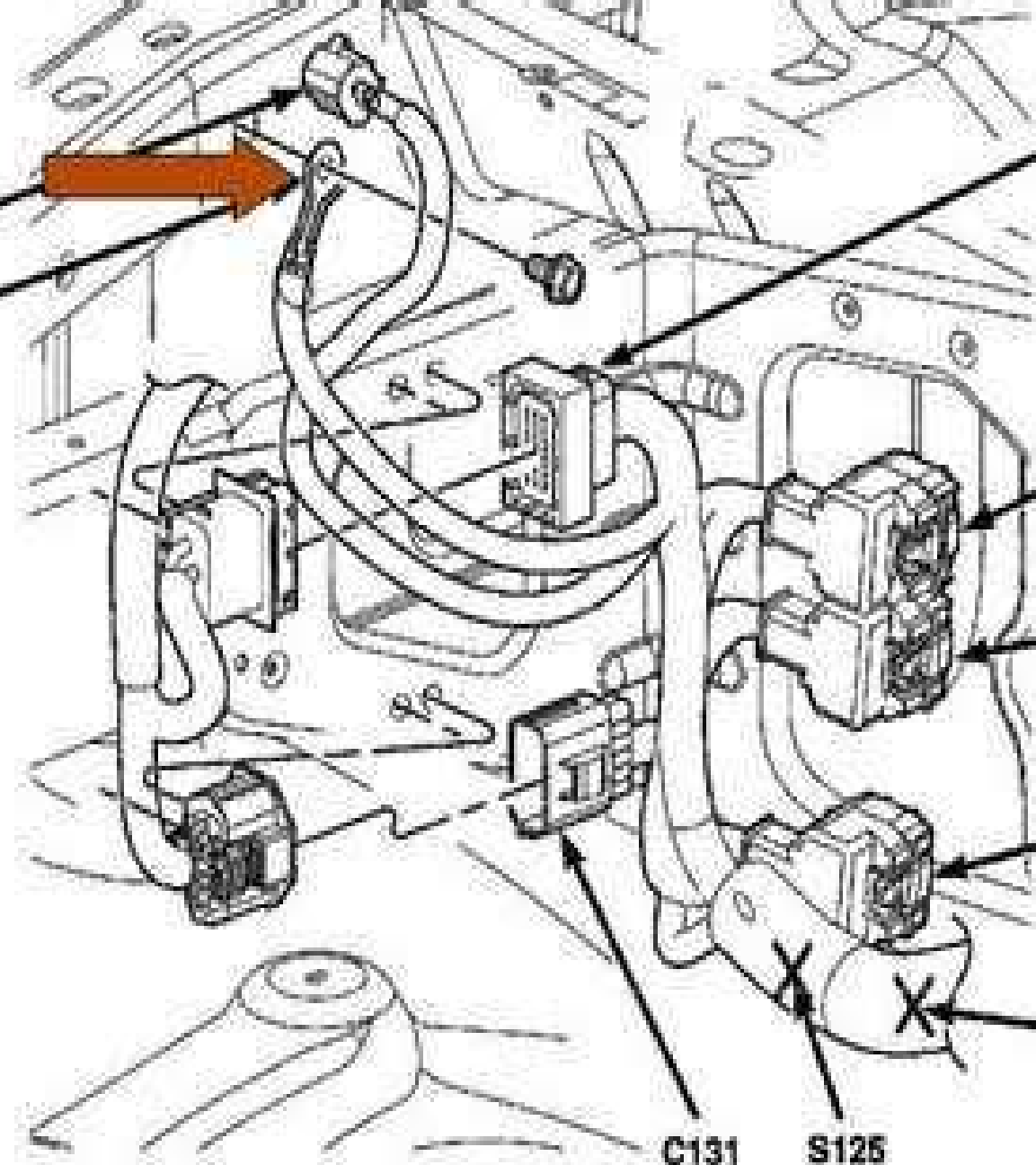
S133

C131

S125

81128124

RIGHT REAR ENGINE COMPARTMENT



[2003 Dodge Ram Van Manual Ignition Module Download](#)

Scott C. Dulebohn



2003 Dodge Ram Van Manual Ignition Module Download:

Delve into the emotional tapestry woven by Crafted by in Experience **2003 Dodge Ram Van Manual Ignition Module Download** . This ebook, available for download in a PDF format (Download in PDF: *), is more than just words on a page; it is a journey of connection and profound emotion. Immerse yourself in narratives that tug at your heartstrings. Download now to experience the pulse of each page and let your emotions run wild.

<https://py.bijouxmedusa.com/book/browse/Documents/how%20to%20calculate%20options%20prices%20and%20their%20grees%20exploring%20the%20black%20scholes%20model%20from%20delta%20to%20vega%20the%20wiley%20finance%20series.pdf>

Table of Contents 2003 Dodge Ram Van Manual Ignition Module Download

1. Understanding the eBook 2003 Dodge Ram Van Manual Ignition Module Download
 - The Rise of Digital Reading 2003 Dodge Ram Van Manual Ignition Module Download
 - Advantages of eBooks Over Traditional Books
2. Identifying 2003 Dodge Ram Van Manual Ignition Module Download
 - Exploring Different Genres
 - Considering Fiction vs. Non-Fiction
 - Determining Your Reading Goals
3. Choosing the Right eBook Platform
 - Popular eBook Platforms
 - Features to Look for in an 2003 Dodge Ram Van Manual Ignition Module Download
 - User-Friendly Interface
4. Exploring eBook Recommendations from 2003 Dodge Ram Van Manual Ignition Module Download
 - Personalized Recommendations
 - 2003 Dodge Ram Van Manual Ignition Module Download User Reviews and Ratings
 - 2003 Dodge Ram Van Manual Ignition Module Download and Bestseller Lists
5. Accessing 2003 Dodge Ram Van Manual Ignition Module Download Free and Paid eBooks
 - 2003 Dodge Ram Van Manual Ignition Module Download Public Domain eBooks

- 2003 Dodge Ram Van Manual Ignition Module Download eBook Subscription Services
- 2003 Dodge Ram Van Manual Ignition Module Download Budget-Friendly Options
- 6. Navigating 2003 Dodge Ram Van Manual Ignition Module Download eBook Formats
 - ePub, PDF, MOBI, and More
 - 2003 Dodge Ram Van Manual Ignition Module Download Compatibility with Devices
 - 2003 Dodge Ram Van Manual Ignition Module Download Enhanced eBook Features
- 7. Enhancing Your Reading Experience
 - Adjustable Fonts and Text Sizes of 2003 Dodge Ram Van Manual Ignition Module Download
 - Highlighting and Note-Taking 2003 Dodge Ram Van Manual Ignition Module Download
 - Interactive Elements 2003 Dodge Ram Van Manual Ignition Module Download
- 8. Staying Engaged with 2003 Dodge Ram Van Manual Ignition Module Download
 - Joining Online Reading Communities
 - Participating in Virtual Book Clubs
 - Following Authors and Publishers 2003 Dodge Ram Van Manual Ignition Module Download
- 9. Balancing eBooks and Physical Books 2003 Dodge Ram Van Manual Ignition Module Download
 - Benefits of a Digital Library
 - Creating a Diverse Reading Collection 2003 Dodge Ram Van Manual Ignition Module Download
- 10. Overcoming Reading Challenges
 - Dealing with Digital Eye Strain
 - Minimizing Distractions
 - Managing Screen Time
- 11. Cultivating a Reading Routine 2003 Dodge Ram Van Manual Ignition Module Download
 - Setting Reading Goals 2003 Dodge Ram Van Manual Ignition Module Download
 - Carving Out Dedicated Reading Time
- 12. Sourcing Reliable Information of 2003 Dodge Ram Van Manual Ignition Module Download
 - Fact-Checking eBook Content of 2003 Dodge Ram Van Manual Ignition Module Download
 - Distinguishing Credible Sources
- 13. Promoting Lifelong Learning
 - Utilizing eBooks for Skill Development
 - Exploring Educational eBooks

14. Embracing eBook Trends

- Integration of Multimedia Elements
- Interactive and Gamified eBooks

2003 Dodge Ram Van Manual Ignition Module Download Introduction

In the digital age, access to information has become easier than ever before. The ability to download 2003 Dodge Ram Van Manual Ignition Module Download has revolutionized the way we consume written content. Whether you are a student looking for course material, an avid reader searching for your next favorite book, or a professional seeking research papers, the option to download 2003 Dodge Ram Van Manual Ignition Module Download has opened up a world of possibilities. Downloading 2003 Dodge Ram Van Manual Ignition Module Download provides numerous advantages over physical copies of books and documents. Firstly, it is incredibly convenient. Gone are the days of carrying around heavy textbooks or bulky folders filled with papers. With the click of a button, you can gain immediate access to valuable resources on any device. This convenience allows for efficient studying, researching, and reading on the go. Moreover, the cost-effective nature of downloading 2003 Dodge Ram Van Manual Ignition Module Download has democratized knowledge. Traditional books and academic journals can be expensive, making it difficult for individuals with limited financial resources to access information. By offering free PDF downloads, publishers and authors are enabling a wider audience to benefit from their work. This inclusivity promotes equal opportunities for learning and personal growth. There are numerous websites and platforms where individuals can download 2003 Dodge Ram Van Manual Ignition Module Download. These websites range from academic databases offering research papers and journals to online libraries with an expansive collection of books from various genres. Many authors and publishers also upload their work to specific websites, granting readers access to their content without any charge. These platforms not only provide access to existing literature but also serve as an excellent platform for undiscovered authors to share their work with the world. However, it is essential to be cautious while downloading 2003 Dodge Ram Van Manual Ignition Module Download. Some websites may offer pirated or illegally obtained copies of copyrighted material. Engaging in such activities not only violates copyright laws but also undermines the efforts of authors, publishers, and researchers. To ensure ethical downloading, it is advisable to utilize reputable websites that prioritize the legal distribution of content. When downloading 2003 Dodge Ram Van Manual Ignition Module Download, users should also consider the potential security risks associated with online platforms. Malicious actors may exploit vulnerabilities in unprotected websites to distribute malware or steal personal information. To protect themselves, individuals should ensure their devices have reliable antivirus software installed and validate the legitimacy of the websites they are downloading from. In conclusion, the ability to download 2003 Dodge Ram Van Manual Ignition Module Download has transformed the way we

access information. With the convenience, cost-effectiveness, and accessibility it offers, free PDF downloads have become a popular choice for students, researchers, and book lovers worldwide. However, it is crucial to engage in ethical downloading practices and prioritize personal security when utilizing online platforms. By doing so, individuals can make the most of the vast array of free PDF resources available and embark on a journey of continuous learning and intellectual growth.

FAQs About 2003 Dodge Ram Van Manual Ignition Module Download Books

1. Where can I buy 2003 Dodge Ram Van Manual Ignition Module Download books? Bookstores: Physical bookstores like Barnes & Noble, Waterstones, and independent local stores. Online Retailers: Amazon, Book Depository, and various online bookstores offer a wide range of books in physical and digital formats.
2. What are the different book formats available? Hardcover: Sturdy and durable, usually more expensive. Paperback: Cheaper, lighter, and more portable than hardcovers. E-books: Digital books available for e-readers like Kindle or software like Apple Books, Kindle, and Google Play Books.
3. How do I choose a 2003 Dodge Ram Van Manual Ignition Module Download book to read? Genres: Consider the genre you enjoy (fiction, non-fiction, mystery, sci-fi, etc.). Recommendations: Ask friends, join book clubs, or explore online reviews and recommendations. Author: If you like a particular author, you might enjoy more of their work.
4. How do I take care of 2003 Dodge Ram Van Manual Ignition Module Download books? Storage: Keep them away from direct sunlight and in a dry environment. Handling: Avoid folding pages, use bookmarks, and handle them with clean hands. Cleaning: Gently dust the covers and pages occasionally.
5. Can I borrow books without buying them? Public Libraries: Local libraries offer a wide range of books for borrowing. Book Swaps: Community book exchanges or online platforms where people exchange books.
6. How can I track my reading progress or manage my book collection? Book Tracking Apps: Goodreads, LibraryThing, and Book Catalogue are popular apps for tracking your reading progress and managing book collections. Spreadsheets: You can create your own spreadsheet to track books read, ratings, and other details.
7. What are 2003 Dodge Ram Van Manual Ignition Module Download audiobooks, and where can I find them? Audiobooks: Audio recordings of books, perfect for listening while commuting or multitasking. Platforms: Audible, LibriVox, and Google Play Books offer a wide selection of audiobooks.
8. How do I support authors or the book industry? Buy Books: Purchase books from authors or independent bookstores. Reviews: Leave reviews on platforms like Goodreads or Amazon. Promotion: Share your favorite books on social media

or recommend them to friends.

9. Are there book clubs or reading communities I can join? Local Clubs: Check for local book clubs in libraries or community centers. Online Communities: Platforms like Goodreads have virtual book clubs and discussion groups.
10. Can I read 2003 Dodge Ram Van Manual Ignition Module Download books for free? Public Domain Books: Many classic books are available for free as they're in the public domain. Free E-books: Some websites offer free e-books legally, like Project Gutenberg or Open Library.

Find 2003 Dodge Ram Van Manual Ignition Module Download :

how to calculate options prices and their greeks exploring the black scholes model from delta to vega the wiley finance series

how to get google adsense approval in 1st try how i got my website google adsense approved in 1st try

[hyundai hl770 7 wheel loader workshop repair service manual complete informative for diy repair 9734 9734 9734 9734](#)

ifeachor digital signal processing solution

i tina turner

i am not a slut wwwdas

how to interpret dreams and visions by perry stone

ib economics 2nd edition study oxford ib diploma program international baccalaureate

hotel design and construction manual

[human resource management 14th edition](#)

[hp keyboard guide](#)

[hyundai g4ed engine camshaft timing](#)

how to turn people into gold

[ignition timing for 91 4afe engine](#)

hotel sales and marketing manual

2003 Dodge Ram Van Manual Ignition Module Download :

der spötter von sevilla und der steinerne gast molina tirso - May 03 2022

web hc runder rücken kaschiert buch gebunden molina tirso de 116 seiten Öffnungszeiten kundenkarte vorverkauf soeben

erschienen basel souvenirs neuer bildband

der spötter von sevilla und der steinerne gast zeno org - Apr 14 2023

web inhaltsverzeichnis zufälliger artikel tirso de molina schauspiel der spötter von sevilla und der steinerne gast im buch blättern bei amazon de ansehen

der spötter von sevilla und der steinerne gast lünebuch de - Nov 09 2022

web oct 10 2016 inzwischen gilt sein zeitgenosse andrés de claramonte 1580 1626 als verfasser des dramas urauf der spötter von sevilla und der steinerne gast lünebuch de

the spot villa dahab aktualisierte preise für 2023 - Jan 31 2022

web eine voll ausgestattete küchenzeile und ein eigenes bad sind ebenfalls vorhanden das aparthotel bietet einen fahrradverleih und eine autovermietung der nächstgelegene flughafen ist der 93 km von der the spot villa entfernte internationale flughafen scharm el scheich die unterkunft bietet einen kostenpflichtigen flughafentransfer

the spot central hostel sevilla aktualisierte preise für 2023 - Mar 01 2022

web sie erreichen das hotel von der kathedrale von sevilla aus zu fuß in 3 minuten freuen sie sich im gästehaus auf eine attraktive terrasse sowie kostenfreies wlan jedes der hellen zimmer im the spot central hostel ist mit klimaanlage und heizung ausgestattet

der spötter von sevilla und der steinerne gast molina tirso - Sep 07 2022

web tirso de molina der spötter von sevilla und der steinerne gastdie verfasserschaft ist nicht erwiesen inzwischen gilt sein zeitgenosse andrés

9781482769180 der spötter von sevilla und der steinerne - Dec 10 2022

web der spötter von sevilla und der steinerne gast finden sie alle bücher von de molina tirso bei der büchersuchmaschine eurobuch com können sie antiquarische und neubücher vergleichen und sofort zum bestpreis bestellen 9781482769180 tirso de molina der spötter von sevilla und der steinerne gast edition

der spötter von sevilla und der steinerne gast hardcover - Aug 06 2022

web der spötter von sevilla und der steinerne gast molina tirso de 9783843042598 books amazon ca

der spötter von sevilla und der steinerne gast amazon de - Jun 16 2023

web der spötter von sevilla und der steinerne gast molina tirso de braunfels ludwig isbn 9783843042598 kostenloser versand für alle bücher mit versand und verkauf duch amazon

der spötter von sevilla und der steinerne gast amazon de - May 15 2023

web der spötter von sevilla und der steinerne gast tirso de molina isbn 9783849115531 kostenloser versand für alle bücher mit versand und verkauf duch amazon

der spötter von sevilla und der steinerne gast amazon com tr - Sep 19 2023

web der spötter von sevilla und der steinerne gast de molina tirso amazon com tr kitap

der spötter von sevilla und der steinerne gast bookshop - Feb 12 2023

web textgrundlage ist die ausgabe molina tirso de don juan der verf hrer von sevilla oder der steinerne gast in spanisches theater f nfter band bers v ludwig braunfels leipzig verlag des bibliographischen instituts o

der spötter von sevilla und der steinerne gast shop - Apr 02 2022

web ich bin neu und möchte ein benutzerkonto anlegen konto anlegen hilfe zum login registrierung mit der anmeldung erklären sie sich mit der agb und der datenschutzerklärung einverstanden pharmazie pharmazie arzneibücher und kommentare arzneimittelinformation u beratung arzneimittelinformation u beratung

der spötter von sevilla und der steinerne gast tirso de - Jan 11 2023

web oct 10 2016 tirso de molina der spötter von sevilla und der steinerne gast die verfasserschaft ist nicht erwiesen inzwischen isbn 3843042594 isbn13 9783843042598 author tirso de molina leading christian resource for avid readers support new schools with every purchase

der spötter von sevilla und der steinerne gast amazon de - Jul 17 2023

web tirso de molina der spötter von sevilla und der steinerne gast edition holzinger taschenbuch berliner ausgabe 2016 4 auflage durchgesehener neusatz mit einer biographie des autors bearbeitet und eingerichtet von michael holzinger die verfasserschaft ist nicht erwiesen

tirso de molina schauspiel der spötter von sevilla und der - Mar 13 2023

web tisbea eurer glieder kälte trägt ihr seid s der von flammen sprühet wenn in meinem blick ihr glühet gebe gott daß ihr nicht lügt 56 literatur im volltext molina tirso de don juan der verführer von sevilla oder der steinerne gast in spanisches theater fünfter band leipzig o

der spötter von sevilla und der steinerne gast molina tirso - Jun 04 2022

web der spötter von sevilla und der steinerne molina tirso de buch buchzentrum der starke partner für handel und verlage 9675 umfassendes sortiment mit büchern spielen kalendern geschenken und mehr

der spötter von sevilla und der steinerne gast google books - Aug 18 2023

web mit der buchreihe tredition classics verfolgt tredition das ziel tausende klassiker der weltliteratur verschiedener sprachen wieder als gedruckte bucher zu verlegen und das weltweit die

der spötter von sevilla und der steinerne gast bücher de - Jul 05 2022

web tirso de molina der spötter von sevilla und der steinerne gast die verfasserschaft ist nicht erwiesen inzwischen gilt sein zeitgenosse andrés de claramonte 1580 1626 als verfasser des dramas stöbern sie im onlineshop von buecher de und kaufen

sie ihre artikel versandkostenfrei und ohne mindestbestellwert

der spotter von sevilla und der steinerne gast copy - Oct 08 2022

web der spotter von sevilla und der steinerne gast title der spotter von sevilla und der steinerne gast copy

interactivearchivist archivists org subject der spotter von sevilla und der steinerne gast copy created date 10 8 2023 6 09 09 pm

sell buy or rent european history a captivating guide to the - Feb 26 2022

web history of finland a captivating guide to finnish history age of discovery the middle ages the carolingian empire european history for kids vol 2 a captivating guide to

european history a captivating guide to the history of europe - Mar 10 2023

web jul 8 2019 european history a captivating guide to the history of europe starting from the neanderthals through to the roman empire and the end of the cold war

european history a captivating guide to the histo pdf - Oct 25 2021

history of europe a captivating guide to european history - Nov 06 2022

web buy history of europe a captivating guide to european history classical antiquity the middle ages the renaissance and early modern europe by history captivating

european history a captivating guide to the histo captivating - Jan 28 2022

web this european history a captivating guide to the histo but end taking place in harmful downloads rather than enjoying a fine ebook like a cup of coffee in the afternoon

history of europe a captivating guide to european history - Mar 30 2022

web kindly say the european history a captivating guide to the histo is universally compatible with any devices to read the carolingian empire captivating history 2019

european history a captivating guide to the histo michael s - Dec 27 2021

modern europe a captivating guide to european history - Jul 02 2022

web history of europe a captivating guide to european history classical antiquity the middle ages the renaissance and early modern europe captivating history

modern europe a captivating guide to european history - Apr 30 2022

web european history a captivating guide to the histo european history a captivating guide to the histo 3 downloaded from donate pfi org on 2023 03 08 by guest a day in a

[european history a captivating guide to the history of europe](#) - Jul 14 2023

web buy european history a captivating guide to the history of europe starting from the neanderthals through to the roman empire and the end of the cold war exploring

history of europe a captivating guide to european history - Jan 08 2023

web history of europe a captivating guide to european history classical antiquity the middle ages the renaissance and early modern europe history captivating 3 86

history of europe a captivating guide to european - Feb 09 2023

web history of europe a captivating guide to european history classical antiquity the middle ages the renaissance and early modern europe fascinating european

pdf history of europe a captivating guide to european history - Jun 01 2022

web sell european history a captivating guide to the history of europe starting from th 1099125405 at booksrun ship for free and get fast cash back

a captivating guide to the history of europe youtube - Apr 11 2023

web may 17 2019 european history a captivating guide to the history of europe starting from the neanderthals through to the roman empire and the end of the cold

history of europe a captivating guide to european history - Sep 04 2022

web jan 6 2020 read the latest magazines about pdf history of europe a captivating guide to european history classical antiquity the middle ages the renaissance

european history a captivating guide to the history of europe - Jun 13 2023

web explore the captivating history of europe the history of people in europe is a fascinating one that starts as most do with hunters gatherers and fishermen that

european history a captivating guide to the history - Sep 16 2023

web apr 17 2020 in european history a captivating guide to the history of europe starting from the neanderthals through to the roman empire and the end of the cold

[pdf epub european history a captivating guide to the](#) - Aug 15 2023

web in european history a captivating guide to the history of europe starting from the neanderthals through to the roman empire and the end of the cold war you will

[european history for kids vol 1 a captivating guide](#) - Aug 03 2022

web audiobook 0 00 free with your audible trial europe is home to some of the greatest artists and some of the most brutal wars in world history revolutions reformations

history of europe a captivating guide to european history - Oct 05 2022

web modern europe a captivating guide to european history starting from the end of the middle ages to the present exploring europe s past hardcover 15 nov 2022 by

european history a captivating guide to the histo 2022 - Nov 25 2021

european history a captivating guide to the history of - May 12 2023

web jan 27 2022 a captivating guide to the history of europe captivating history 281k subscribers subscribe 1 1k 66k views 1 year ago european history join the

history of europe a captivating guide to european history - Dec 07 2022

web history of europe a captivating guide to european history classical antiquity the middle ages the renaissance and early modern europe history captivating

deutsche nationaldenkmäler im deutschen kaiserreich - Oct 04 2023

web niederwalddenkmal bei rüdesheim viele deutsche nationaldenkmäler des 19 jahrhunderts entstanden nach der deutschen reichsgründung 1871 zum teil waren sie aber bereits zuvor geplant worden eine einheitliche symbolik für die nation konnte sich dabei nicht durchsetzen oft handelt es sich um kriegsdenkmäler oder herrscherdarstellungen und

inszenierte nation das nationaldenkmal im 19 jahrhundert die - Jul 01 2023

web jun 6 2023 inszenierte nation das nationaldenkmal im 19 jahrhundert die walhalla und das hermannsdenkmal by anna l klaus monument und nation das bild vom nationalstaat im medium denkmal um verhältnis von nation der denkmalbegriff im 19 jahrhundert 6 3 alois

inszenierte nation das nationaldenkmal im 19 jahr - Oct 24 2022

web nationaldenkmal im 19 jahr as well as review them wherever you are now gestalten der antiken historie im lateinischen drama der salzburger benediktineruniversität franz witek 2009

inszenierte nation das nationaldenkmal im 19 jahr pdf - May 31 2023

web inszenierte nation das nationaldenkmal im 19 jahr das politische zeremoniell im deutschen kaiserreich 1871 1918 geschichtsdiskurs dinosaurierfragmente geschichte der bildenden kunst in deutschland zwischen stadt staat und nation kunst im aufbruch quellen und forschungen zur hessischen geschichte versunkene hoffnungen für

downloadable free pdfs inszenierte nation das nationaldenkmal im 19 jahr - Dec 26 2022

web inszenierte nation das nationaldenkmal im 19 jahr national thought in europe jul 21 2020 ranging widely across countries and centuries national thought in europe critically analyzes the growth of nationalism from its beginnings in medieval ethnic prejudice to the romantic era s belief in a national soul

inszenierte nation das nationaldenkmal im 19 jahr api - Apr 17 2022

web inszenierte nation das nationaldenkmal im 19 jahr is available in our digital library an online access to it is set as public so you can get it instantly our digital library saves in multiple locations allowing you to get the most less latency time to download any of our books like this one

inszenierte nation das nationaldenkmal im 19 jahr 2022 - Mar 17 2022

web it is not more or less the costs its not quite what you compulsion currently this inszenierte nation das nationaldenkmal im 19 jahr as one of the most energetic sellers here will no question be in the middle of the best options to review inszenierte nation das nationaldenkmal im 19 jahr 2020 02 22 zion stephany

inszenierte nation das nationaldenkmal im 19 jahr sylvia - Sep 22 2022

web inszenierte nation das nationaldenkmal im 19 jahr this is likewise one of the factors by obtaining the soft documents of this inszenierte nation das nationaldenkmal im 19 jahr by online you might not require more get older to spend to go to the ebook creation as with ease as search for them

inszenierte nation toc net framework - Aug 22 2022

web inszenierte nation das nationaldenkmal im 19 jahrhundert die walhalla und das hermannsdenkmal isbn 978 3 8288 9708 3 umschlagabbildungen anna lena klaus tectum verlag marburg 2008 besuchen sie uns im internet tectum verlag de bibliografische informationen der deutschen nationalbibliothek

zehn jahre denkmal für die im nationalsozialismus ermordeten - Apr 29 2023

web oct 12 2022 jana mechelhoff herezi stiftung denkmal de zentralrat deutscher sinti und roma presse und Öffentlichkeitsarbeit thomas baumann thomas baumann sintiundroma de stiftung denkmal für die ermordeten juden europas presse und Öffentlichkeitsarbeit felizitas borzym tel 030 26 39 43 26

inszenierte nation das nationaldenkmal im 19 jahr copy - Jun 19 2022

web inszenierte nation das nationaldenkmal im 19 jahr downloaded from logb fonedog com by guest kendrick pitts wie das hermannsdenkmal sinnbild germanischer tugenden wurde

inszenierte nation das nationaldenkmal im 19 jahrhundert die - Feb 13 2022

web inszenierte nation das nationaldenkmal im 19 jahrhundert die walhalla und das hermannsdenkmal by anna l klaus is furthermore helpful you could buy tutorial inszenierte nation das nationaldenkmal im 19 jahrhundert die walhalla und das hermannsdenkmal by anna l klaus or get it as soon as workable

inszenierte nation das nationaldenkmal im 19 jahr - Jan 27 2023

web inszenierte nation das nationaldenkmal im 19 jahr 3 3 ist vermutlich das noch heute eindrucksvolls te deutsche nationaldenk mal des 19 jahrhunderts der am griechischen parthenon orientierte bau erhebt sich auf dem bräuberg bei

donaustauf neun kilometer donauabwärts von regensburg entfernt initiiert wurde er von könig ludwig i von bayern

[inszenierte nation das nationaldenkmal im 19 jahr 2023](#) - May 19 2022

web inszenierte nation das nationaldenkmal im 19 jahr downloaded from store1 shops widebot net by guest kelley nelson
inszenierte wissenschaft springer seit dem ende des zweiten weltkrieges ist eine generelle akzentverschiebung vom pathos
der klassischen heldendenkmäler hin zu mahnmalen und gedenkstätten die an die opfer

inszenierte nation das nationaldenkmal im 19 jahr pdf beta - Jul 21 2022

web 2 inszenierte nation das nationaldenkmal im 19 jahr 2022 10 11 wissenschaftspraxis des 19 jahrhunderts geleistet
werden die auch die aktuelle forschungslandschaft deutlich geprägt hat erinnerte geschichte inszenierte geschichte v r
unipress gmbh performing the nation in interwar germany argues that political aesthetics and mass spectacles were
nationales kulturdenkmal wikipedia - Mar 29 2023

web nationales kulturdenkmal steht für allgemein denkmale nationaler bedeutung siehe kulturgut nationaler bedeutung
speziell bauten als erinnerungsort für die idee der nation siehe nationaldenkmal nationale schutzkategorien zu den objekten
siehe jeweils dort diese seite wurde zuletzt am 4 april 2019 um 15 30 uhr bearbeitet

inszenierte nation das nationaldenkmal im 19 jahrhundert die - Sep 03 2023

web inszenierte nation tectum verlag erste auflage nationalismus nationalstaat und deutsche identität im 19 nationaldenkmal
nationalismus während des 19 jahrhunderts in deutschland nationalidee und nationaldenkmal in deutschland im 19

inszenierte nation das nationaldenkmal im 19 6 der denkmalbegriff und die frage nach dem

inszenierte nation das nationaldenkmal im 19 jahrhundert die - Aug 02 2023

web nationalismus im 19 jahrhundert inszenierte nation das nationaldenkmal im 19 nationalidee und nationaldenkmal in
deutschland im 19 deutsche nationaldenkmäler im deutschen kaiserreich inszenierte nation tectum verlag erste auflage

displaying the nation a view of cambridge core search result for protectourcoastline books free

[inszenierte nation das nationaldenkmal im 19 jahrhundert die](#) - Feb 25 2023

web die walhalla und das hermannsdenkmal gehören zu den bedeutendsten nationaldenkmälern dieser zeit doch dienen sie
deshalb als kristallisationspunkte deutscher identitätsstiftung die autorin untersucht diese frage in bezug auf initiator
architekt standort und bauweise

inszenierte nation das nationaldenkmal im 19 jahr download - Nov 24 2022

web inszenierte nation das nationaldenkmal im 19 jahr the german bourgeoisie routledge revivals mar 29 2023 first
published in 1991 this collection of original studies by british german and american historians examines the whole range of
modern german bourgeoisie groups including professional mercantile industrial and financial