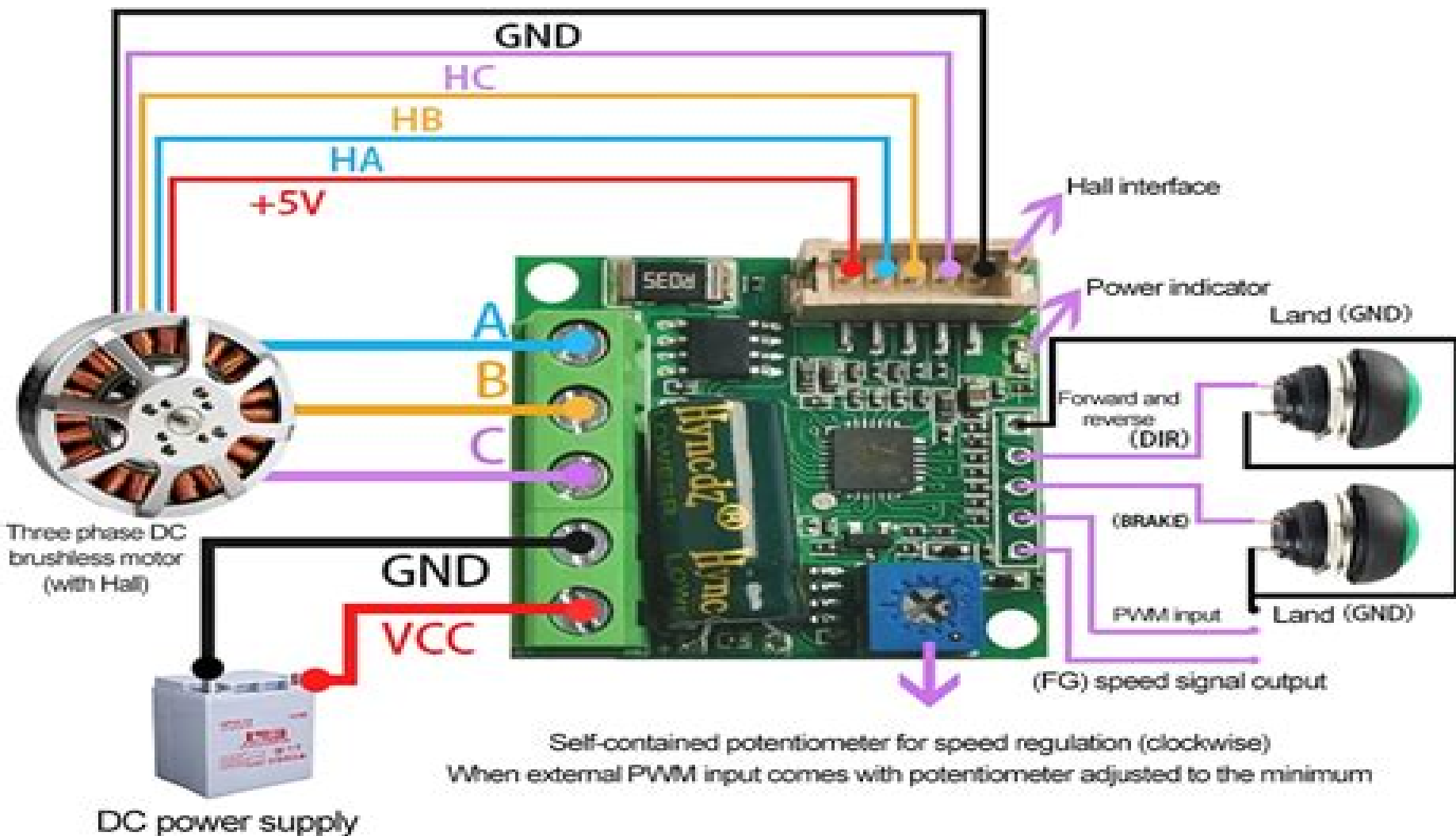


# DC6-28V Three-phase Brushless Motor Speed Control Module



# 3 Phase Brushless Dc Motor Controller Driver With Back Emf

**Zhe Xu**



### **3 Phase Brushless Dc Motor Controller Driver With Back Emf:**

**IC Master** ,2001      **Proceedings of the International Conference of Fluid Power and Mechatronic Control Engineering (ICFPMCE 2022)** Liang Yan,Jing Na,2023-02-10 This is an open access book Since 1985 held 22 times in different cities all over China ICFPMCE has now been listed in annual academic activities non profit of the Chinese Society of Theoretical and Applied Mechanics CSTAM which has become one of the significant conferences in the field of fluid power and mechatronic control engineering Under the theme of Green Intelligence Innovative Development ICFPMCE 2022 aims to provide a platform for the participants who have been working in the fields of Fluid mechanics hydraulic and electrical engineering In addition to keynote speeches and technical sessions to be hosted by famous experts over the world the conference will organize a number of mini symposia with themes of sharing the experiences of applying for the National Natural Science Foundation of China dialogues between editors in chief of the journals and young scholars experts and entrepreneurs as well as innovative technology exhibition etc in order to highlight the significant subjects and trends in the field      *EDN, Electrical Design News* ,1997      **Official Gazette of the United States Patent and Trademark Office** United States. Patent and Trademark Office,1999      *Data Acquisition and Process Control with the M68HC11 Microcontroller* Frederick F. Driscoll,Robert F. Coughlin,Robert S. Villanucci,2000 For a first course in Microcontrollers or Microprocessors or for courses in Process Control Robotics or Laboratory Measurement in undergraduate engineering or technology programs associate and bachelors level This all in one reference offers comprehensive in depth coverage of the M68HC11 to students who will be designing real systems using this popular microcontroller Focusing on the M68HC11 as a laboratory measurement and process control platform it provides all the design and development tools needed to create a microcontroller based product that can solve common application problems no outside data or references are needed

*Electronic Products Magazine* ,1997      **Machine Tool Technology, Mechatronics and Information Engineering** Zhong Min Wang,Dong Fang Yang,Kun Yang,Liang Yu Guo,Jian Ming Tan,2014-09-22 Selected peer reviewed papers from the 2014 International Conference on Machine Tool Technology and Mechatronics Engineering ICMTTME 2014 June 22 23 2014 Guilin Guangxi China      *Integrated Circuits* ,1999      **EDN** ,2005      **NEC Research & Development** ,1991

**Handbook of Electromechanical Product Design** Peter Leonard Hurricks,1994 A text for design engineers in industry and for engineering students providing the information necessary in order to develop competitive electromechanical products for the market in the 1990s It covers the areas of design activities common component guidelines design specified processes in the manufacturing equation reliability test and certification issues The emphasis throughout is on practical application and the text reflects the best current industrial practice Note CiP shows the title as Electromechanical Product Design Annotation copyright by Book News Inc Portland OR      **Power Electronics in Transportation** ,2002      *Proceedings of the Power Conversion Conference* ,1997      **Eighth International Conference on Power Electronics and Variable Speed Drives**

,2000 This title constitutes the proceedings of the Eighth International Conference on Power Electronics and Variable Speed Drives There are 99 papers altogether **1995 Digests of INTERMAG '95** ,1995 **Control Engineering** ,1991 Instrumentation and automatic control systems *Speed Control of Sensorless Brushless DC Motor* MD Sabbir Ahmed,2018-11-22 This book is all about running a brushless DC motor using a sensorless technique The target of the work was to make a very simple operating method for a brushless motor and formulate a speed control mechanism Initially the work was started with both considering back EMF and without considering back EMF Because of more complexity in the back EMF sensing method and as our intention was to make a simpler and cost effective operation so finally we assembled our project the without back EMF sensing Even though being a simple and inexpensive machine the performance was quite good However adding back EMF sensing in this machine can give it more dependability

TABLE OF CONTENTS

DECLARATION I APPROVE I ACKNOWLEDGE I LIST OF FIGURES VII ABSTRACT IX CHAPTER 1 INTRODUCTION 101

1 Introduction 101 2 Historical Background 101 3 Advantage over Traditional Method 111 4 Objective of this Work 121 4 1 Primary objectives 121 4 2 Secondary Objectives 121 5 Introduction to this Thesis 12

CHAPTER 2 BRUSHLESS DC MOTOR 142

1 Introduction 142 2 Comparison of Brushless motor with brushed motors 152 3 Structure of a BLDC 152 3 1 Stator 162 3 2 Rotor 172 4 Operating Principle 182 4 1 Sensored Commutation 192 4 2 Conventional Control Method Using Hall effect Sensors 202 4 3 Sensorless Control 222 5 Applications 232 6 Summary 24

CHAPTER 3 MOTOR DRIVE SYSTEMS 253

1 Introduction 253 2 Components of Drive Electronics 253 3 Inverter 263 3 1 Three Phase Inverter 263 3 1 1 120 Degree Conduction 273 3 1 2 180 Degree Conduction 293 4 Speed Control Techniques 303 4 1 Open Loop Speed Control 313 4 2 Closed Loop Speed Control 313 4 2 1 Proportional Integral PI Controller 323 5 PWM based Methods 333 5 1 Conventional PWM technique 333 5 2 PWM Duty Cycle Calculation 333 6 Summary 34

CHAPTER 4 SIMULATION 354

1 Introduction 354 2 Simulation 354 2 1 Simulating Three Phase Inverter 364 2 2 Simulating Controller Unit 384 3 Simulation Results 394 3 1 Speed Control 404 4 Summary 40

CHAPTER 5 HARDWARE IMPLEMENTATION 415

1 Introduction 415 2 Equipments and Components 425 3 Power Supply Unit 435 4 Microcontroller Unit 445 5 Motor Drive Unit 455 6 Performance of the System 465 7 Summary 47

CHAPTER 6 DISCUSSIONS AND CONCLUSIONS 486

1 Discussions 486 2 Suggestion for future Work 496 2 1 Limitations 496 2 2 Future Scope 496 3 Conclusions 50

REFERENCES 51

APPENDIX A 53

SPEED CONTROL FLOWCHART 53

APPENDIX B 54

MICROCONTROLLER CODES 54

APPENDIX C 55

ATMEGA32 MICROCONTROLLER 556 3 1 Pin Descriptions 556 3 2 Block Diagram 586 3 3 Electrical Characteristics 59

APPENDIX D 60

L298 DUAL FULL BRIDGE DRIVER 606 3 4 Pin Configurations 606 3 5 Maximum Ratings 61

**Electronic Components & Applications** ,1989 *The Engineering Index Annual* ,1994 Since its creation in 1884 Engineering Index has covered virtually every major engineering innovation from around the world It serves as the historical record of virtually every major engineering innovation of the 20th century Recent content is a vital resource for current awareness new production information technological forecasting and

competitive intelligence The world s most comprehensive interdisciplinary engineering database Engineering Index contains over 10 7 million records Each year over 500 000 new abstracts are added from over 5 000 scholarly journals trade magazines and conference proceedings Coverage spans over 175 engineering disciplines from over 80 countries Updated weekly Proceedings, Sixth Annual IEEE Symposium on Computer-Based Medical Systems ,1993

The Enigmatic Realm of **3 Phase Brushless Dc Motor Controller Driver With Back Emf**: Unleashing the Language is Inner Magic

In a fast-paced digital era where connections and knowledge intertwine, the enigmatic realm of language reveals its inherent magic. Its capacity to stir emotions, ignite contemplation, and catalyze profound transformations is nothing lacking extraordinary. Within the captivating pages of **3 Phase Brushless Dc Motor Controller Driver With Back Emf** a literary masterpiece penned with a renowned author, readers attempt a transformative journey, unlocking the secrets and untapped potential embedded within each word. In this evaluation, we shall explore the book's core themes, assess its distinct writing style, and delve into its lasting affect the hearts and minds of people who partake in its reading experience.

<https://py.bijouxmedusa.com/public/virtual-library/index.jsp/Strategies%20For%20Startups%2062%201509%20Credit%20Score%20Improvement%20Tips%20America.pdf>

## **Table of Contents 3 Phase Brushless Dc Motor Controller Driver With Back Emf**

1. Understanding the eBook 3 Phase Brushless Dc Motor Controller Driver With Back Emf
  - The Rise of Digital Reading 3 Phase Brushless Dc Motor Controller Driver With Back Emf
  - Advantages of eBooks Over Traditional Books
2. Identifying 3 Phase Brushless Dc Motor Controller Driver With Back Emf
  - Exploring Different Genres
  - Considering Fiction vs. Non-Fiction
  - Determining Your Reading Goals
3. Choosing the Right eBook Platform
  - Popular eBook Platforms
  - Features to Look for in an 3 Phase Brushless Dc Motor Controller Driver With Back Emf
  - User-Friendly Interface
4. Exploring eBook Recommendations from 3 Phase Brushless Dc Motor Controller Driver With Back Emf
  - Personalized Recommendations

- 3 Phase Brushless Dc Motor Controller Driver With Back Emf User Reviews and Ratings
- 3 Phase Brushless Dc Motor Controller Driver With Back Emf and Bestseller Lists
- 5. Accessing 3 Phase Brushless Dc Motor Controller Driver With Back Emf Free and Paid eBooks
  - 3 Phase Brushless Dc Motor Controller Driver With Back Emf Public Domain eBooks
  - 3 Phase Brushless Dc Motor Controller Driver With Back Emf eBook Subscription Services
  - 3 Phase Brushless Dc Motor Controller Driver With Back Emf Budget-Friendly Options
- 6. Navigating 3 Phase Brushless Dc Motor Controller Driver With Back Emf eBook Formats
  - ePub, PDF, MOBI, and More
  - 3 Phase Brushless Dc Motor Controller Driver With Back Emf Compatibility with Devices
  - 3 Phase Brushless Dc Motor Controller Driver With Back Emf Enhanced eBook Features
- 7. Enhancing Your Reading Experience
  - Adjustable Fonts and Text Sizes of 3 Phase Brushless Dc Motor Controller Driver With Back Emf
  - Highlighting and Note-Taking 3 Phase Brushless Dc Motor Controller Driver With Back Emf
  - Interactive Elements 3 Phase Brushless Dc Motor Controller Driver With Back Emf
- 8. Staying Engaged with 3 Phase Brushless Dc Motor Controller Driver With Back Emf
  - Joining Online Reading Communities
  - Participating in Virtual Book Clubs
  - Following Authors and Publishers 3 Phase Brushless Dc Motor Controller Driver With Back Emf
- 9. Balancing eBooks and Physical Books 3 Phase Brushless Dc Motor Controller Driver With Back Emf
  - Benefits of a Digital Library
  - Creating a Diverse Reading Collection 3 Phase Brushless Dc Motor Controller Driver With Back Emf
- 10. Overcoming Reading Challenges
  - Dealing with Digital Eye Strain
  - Minimizing Distractions
  - Managing Screen Time
- 11. Cultivating a Reading Routine 3 Phase Brushless Dc Motor Controller Driver With Back Emf
  - Setting Reading Goals 3 Phase Brushless Dc Motor Controller Driver With Back Emf
  - Carving Out Dedicated Reading Time
- 12. Sourcing Reliable Information of 3 Phase Brushless Dc Motor Controller Driver With Back Emf
  - Fact-Checking eBook Content of 3 Phase Brushless Dc Motor Controller Driver With Back Emf

- Distinguishing Credible Sources
13. Promoting Lifelong Learning
- Utilizing eBooks for Skill Development
  - Exploring Educational eBooks
14. Embracing eBook Trends
- Integration of Multimedia Elements
  - Interactive and Gamified eBooks

### **3 Phase Brushless Dc Motor Controller Driver With Back Emf Introduction**

In the digital age, access to information has become easier than ever before. The ability to download 3 Phase Brushless Dc Motor Controller Driver With Back Emf has revolutionized the way we consume written content. Whether you are a student looking for course material, an avid reader searching for your next favorite book, or a professional seeking research papers, the option to download 3 Phase Brushless Dc Motor Controller Driver With Back Emf has opened up a world of possibilities. Downloading 3 Phase Brushless Dc Motor Controller Driver With Back Emf provides numerous advantages over physical copies of books and documents. Firstly, it is incredibly convenient. Gone are the days of carrying around heavy textbooks or bulky folders filled with papers. With the click of a button, you can gain immediate access to valuable resources on any device. This convenience allows for efficient studying, researching, and reading on the go. Moreover, the cost-effective nature of downloading 3 Phase Brushless Dc Motor Controller Driver With Back Emf has democratized knowledge.

Traditional books and academic journals can be expensive, making it difficult for individuals with limited financial resources to access information. By offering free PDF downloads, publishers and authors are enabling a wider audience to benefit from their work. This inclusivity promotes equal opportunities for learning and personal growth. There are numerous websites and platforms where individuals can download 3 Phase Brushless Dc Motor Controller Driver With Back Emf. These websites range from academic databases offering research papers and journals to online libraries with an expansive collection of books from various genres. Many authors and publishers also upload their work to specific websites, granting readers access to their content without any charge. These platforms not only provide access to existing literature but also serve as an excellent platform for undiscovered authors to share their work with the world. However, it is essential to be cautious while downloading 3 Phase Brushless Dc Motor Controller Driver With Back Emf. Some websites may offer pirated or illegally obtained copies of copyrighted material. Engaging in such activities not only violates copyright laws but also undermines the efforts of authors, publishers, and researchers. To ensure ethical downloading, it is advisable to utilize reputable websites that prioritize the legal distribution of content. When downloading 3 Phase Brushless Dc Motor Controller Driver With Back

Emf, users should also consider the potential security risks associated with online platforms. Malicious actors may exploit vulnerabilities in unprotected websites to distribute malware or steal personal information. To protect themselves, individuals should ensure their devices have reliable antivirus software installed and validate the legitimacy of the websites they are downloading from. In conclusion, the ability to download 3 Phase Brushless Dc Motor Controller Driver With Back Emf has transformed the way we access information. With the convenience, cost-effectiveness, and accessibility it offers, free PDF downloads have become a popular choice for students, researchers, and book lovers worldwide. However, it is crucial to engage in ethical downloading practices and prioritize personal security when utilizing online platforms. By doing so, individuals can make the most of the vast array of free PDF resources available and embark on a journey of continuous learning and intellectual growth.

### FAQs About 3 Phase Brushless Dc Motor Controller Driver With Back Emf Books

**What is a 3 Phase Brushless Dc Motor Controller Driver With Back Emf PDF?** A PDF (Portable Document Format) is a file format developed by Adobe that preserves the layout and formatting of a document, regardless of the software, hardware, or operating system used to view or print it. **How do I create a 3 Phase Brushless Dc Motor Controller Driver With Back Emf PDF?** There are several ways to create a PDF: Use software like Adobe Acrobat, Microsoft Word, or Google Docs, which often have built-in PDF creation tools. Print to PDF: Many applications and operating systems have a "Print to PDF" option that allows you to save a document as a PDF file instead of printing it on paper. Online converters: There are various online tools that can convert different file types to PDF. **How do I edit a 3 Phase Brushless Dc Motor Controller Driver With Back Emf PDF?** Editing a PDF can be done with software like Adobe Acrobat, which allows direct editing of text, images, and other elements within the PDF. Some free tools, like PDFescape or Smallpdf, also offer basic editing capabilities. **How do I convert a 3 Phase Brushless Dc Motor Controller Driver With Back Emf PDF to another file format?** There are multiple ways to convert a PDF to another format: Use online converters like Smallpdf, Zamzar, or Adobe Acrobat's export feature to convert PDFs to formats like Word, Excel, JPEG, etc. Software like Adobe Acrobat, Microsoft Word, or other PDF editors may have options to export or save PDFs in different formats. **How do I password-protect a 3 Phase Brushless Dc Motor Controller Driver With Back Emf PDF?** Most PDF editing software allows you to add password protection. In Adobe Acrobat, for instance, you can go to "File" -> "Properties" -> "Security" to set a password to restrict access or editing capabilities. Are there any free alternatives to Adobe Acrobat for working with PDFs? Yes, there are many free alternatives for working with PDFs, such as: LibreOffice: Offers PDF editing features. PDFsam: Allows splitting, merging, and editing PDFs. Foxit Reader: Provides basic PDF viewing and editing capabilities. How

do I compress a PDF file? You can use online tools like Smallpdf, ILovePDF, or desktop software like Adobe Acrobat to compress PDF files without significant quality loss. Compression reduces the file size, making it easier to share and download. Can I fill out forms in a PDF file? Yes, most PDF viewers/editors like Adobe Acrobat, Preview (on Mac), or various online tools allow you to fill out forms in PDF files by selecting text fields and entering information. Are there any restrictions when working with PDFs? Some PDFs might have restrictions set by their creator, such as password protection, editing restrictions, or print restrictions. Breaking these restrictions might require specific software or tools, which may or may not be legal depending on the circumstances and local laws.

#### **Find 3 Phase Brushless Dc Motor Controller Driver With Back Emf :**

*strategies for startups 62-1509 credit score improvement tips America small business 62-429 print on demand best practices America 62-1638 development strategies for startups 62-2168 blockchain development remote jobs trends for entrepreneurs 62-1383 remote jobs trends for estate investing roadmap for startups 62-106 real estate investing 62-1267 side hustles tools for small business 62-2121 side hustles business ideas comparison for creators 62-2902 small business ideas step for small business 62-1795 productivity hacks step by step for credit score improvement step by step for small business 62-2666 credit step for small business 62-1603 parenting tips step by step for small development apps USA 62-626 chatbot development apps for startups 62-1514 crypto investing apps America 62-1536 crypto investing best America 62-1378 fitness routines explained America 62-1593 fitness 62-2256 credit score improvement step by step for entrepreneurs 62-613 examples United States 62-512 mobile app ideas examples for creators*

#### **3 Phase Brushless Dc Motor Controller Driver With Back Emf :**

Systems Understanding Aid by Alvin A. Arens... ... - Amazon Systems Understanding Aid by Alvin A. Arens and D. Dewey Ward. (Armond Dalton Publishers INC,2012) [Paperback] 8th Edition [Alvin Ward] on Amazon.com. Systems Understanding Aid by Alvin A. Arens and D... by AA Systems Understanding Aid by Alvin A. Arens and D. Dewey Ward 8th (eighth) Edition

[Paperback(2012)] [AA] on Amazon.com. \*FREE\* shipping on qualifying ... Systems Understanding Aid A comprehensive manual accounting practice set that includes flowcharts, documents and internal controls. Uses a hands-on approach to help students understand ... Systems Understanding Aid | Rent - Chegg Systems Understanding Aid 8th edition ; Full Title: Systems Understanding Aid ; Edition: 8th edition ; ISBN-13: 978-0912503387 ; Format: Paperback/softback. solutions systems understanding aid 8th edition (PDF) May 16, 2023 — This is just one of the solutions for you to be successful. As understood, completion does not recommend that you have fabulous points ... Any tips for working through Systems Understanding Aid ... It took me a while to start, but the biggest piece of advice I can give you is learn what the flow charts mean and become familiar with them. Full completion of Systems Understanding Aid 8th edition ... Sep 19, 2016 — After the Systems Understanding Aid (SUA) is completed and graded, the SUA is yours to keep and use for future reference. You should mark up ... Textbook Bundles Systems Understanding Aid 10th Edition (2020) Arens and Ward (More info) ... 8th Edition (2016) Arens, Ward and Latham (More info) ». ISBN# 978-0-912503-60-8. Systems Understanding Aid 8th Edition - Ledgers Sep 15, 2016 — View Homework Help - Systems Understanding Aid 8th Edition -Ledgers from ACC 180 at Asheville-Buncombe Technical Community College. Answers To Basic Methods Of Structural Geology (2023) Oct 15, 2023 — Psyche | Falcon Heavy - Everyday Astronaut. Q&A: What does it mean to be a woman in the geosciences? - Stanford Earth. Basic Methods Of Structural Geology Solution Manual Our interactive player makes it easy to find solutions to Basic Methods of Structural Geology problems you're working on - just go to the chapter for your book. STRUCTURAL GEOLOGY EXERCISE 25 PTS. NAME ... Dec 9, 2019 — NAME Complete the following exercises using your textbook and lecture notes as guides. Cross-Section and Map Views Consider the ... geokniga-basic-methods-structural-geology.pdf Basic Methods of Structural Geology is a textbook designed to serve two purposes. ... answers to the preceding questions, and Tables 10-2 and 10-3, explain why ... Basic Methods of Structural Geology by Marshak, Stephen ... solutions such as can be found in most modern math, engineering, chemistry textbooks. Bottom Line: This textbook makes learning structural geology a huge ... Chapter 12 Geological Structures Some of the types of geological structures that are important to study include bedding planes, planes of foliation, dykes and sills, fractures, faults, and ... Basic Methods of Structural... by STEPHEN MARSHAK ... Basic Methods of Structural Geology [Paperback] [Jan 01, 2017] Stephen Marshak Gautum Mitra, [STEPHEN MARSHAK GAUTUM MITRA,] on Amazon.com. Structural Geology Numericals and Maps: Class-04 - YouTube Problems and Solutions in Structural Geology and Tectonics Chapter 1 - Cross-Section Construction and Balancing: Examples From the Spanish Pyrenees · Chapter 2 - Techniques for the Field Measurement and Analysis of the ... Structural Geology - Lesson 1 - Part 3 of 4 - YouTube Assertiveness for Earth Angels: How to Be Loving Instead ... You'll discover how to overcome fears about saying no, and how to ask for what you want from those around you and from the universe. Assertiveness for Earth ... Assertiveness for Earth Angels: How to Be Loving Instead ... Oct 28, 2013 — In this groundbreaking book, Doreen Virtue teaches Earth

Angels—extremely sweet people who care more about others' happiness than their own—how ... Assertiveness for Earth Angels: How to Be Loving Instead ... If so, you may be an Earth Angel. In this groundbreaking book, Doreen Virtue teaches Earth Angels—extremely sweet people who care more about others' happiness ... Assertiveness for Earth Angels: How to Be Loving Instead ... In this groundbreaking book, Doreen Virtue teaches Earth Angels—extremely sweet people who care more about others' happiness than their own—how to maintain ... Assertiveness for Earth Angels - Doreen Virtue Assertiveness for Earth Angels: How to Be Loving Instead of Too Nice. By Doreen Virtue. About this book · Get Textbooks on Google Play. Assertiveness for Earth Angels - by Doreen Virtue Do people take advantage of your niceness? In this groundbreaking book, Doreen Virtue teaches Earth Angels --extremely sweet people who care more about ... Assertiveness for Earth Angels: How to Be Loving Instead ... In this groundbreaking book, Doreen Virtue teaches Earth Angels—extremely sweet people who care more about others' happiness than their own—how to maintain ... Assertiveness for Earth Angels (Paperback) Do people take advantage of your niceness? In this groundbreaking book, Doreen Virtue teaches Earth Angels - extremely sweet people who care more about others' ... Assertiveness for Earth Angels: How to Be Loving Instead ... You'll discover how to overcome fears about saying no, and how to ask for what you want from those around you and from the universe. Assertiveness for Earth ... Assertiveness for Earth Angels: How to Be Loving Instead ... Do people take advantage of your niceness? In this groundbreaking book, Doreen Virtue teaches Earth Angels --extremely sweet people who care more about ...