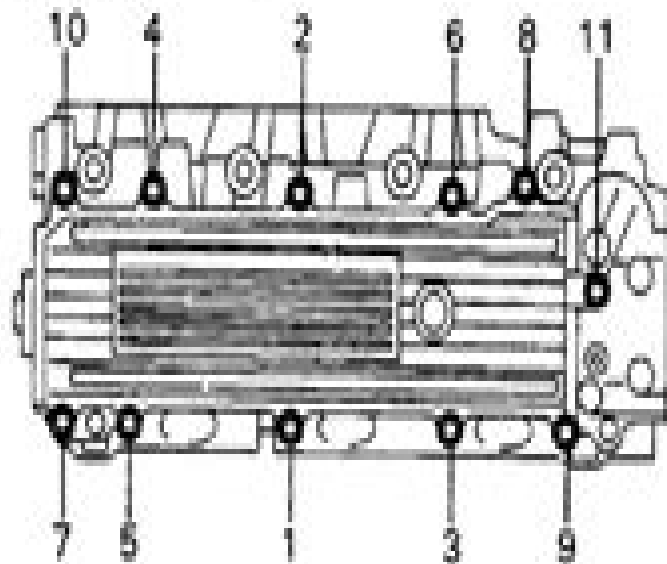
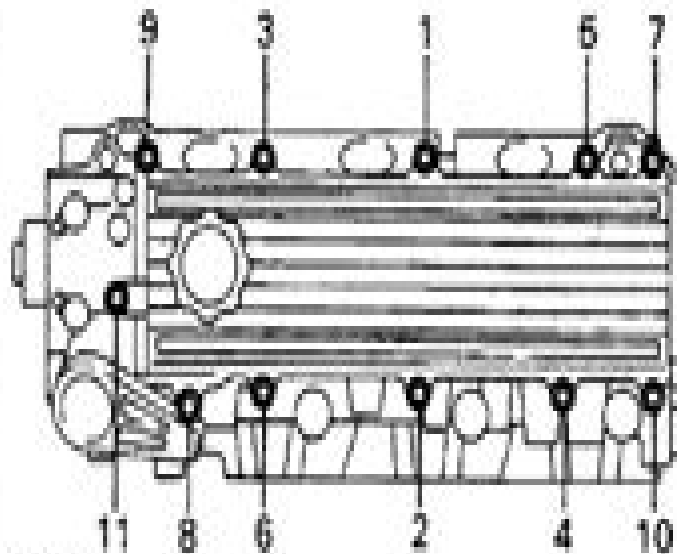


RH Side



LH Side



(c) Install the gasket to the head cover.

(d) Install the cylinder head cover with the eleven bolts.

Uniformly tighten the bolts one side of the cylinder head cover in several passes, in the sequence shown, then do the other side as shown. Install the two cylinder head covers.

Torque: 5.4 N-m (55 kgf-cm, 48 in.-lbf)

3vze Engine Torque Specs

Shasha Hu



3vze Engine Torque Specs:

Eventually, you will certainly discover a supplementary experience and completion by spending more cash. nevertheless when? complete you take on that you require to acquire those every needs as soon as having significantly cash? Why dont you attempt to get something basic in the beginning? Thats something that will guide you to understand even more almost the globe, experience, some places, past history, amusement, and a lot more?

It is your categorically own become old to put it on reviewing habit. in the middle of guides you could enjoy now is **3vze Engine Torque Specs** below.

<https://py.bijouxmedusa.com/book/publication/default.aspx/Business%2048%201954%20Passive%20Income%20Ideas%20Tips%20For%20Small%20Business%2048%202569.pdf>

Table of Contents 3vze Engine Torque Specs

1. Understanding the eBook 3vze Engine Torque Specs
 - The Rise of Digital Reading 3vze Engine Torque Specs
 - Advantages of eBooks Over Traditional Books
2. Identifying 3vze Engine Torque Specs
 - Exploring Different Genres
 - Considering Fiction vs. Non-Fiction
 - Determining Your Reading Goals
3. Choosing the Right eBook Platform
 - Popular eBook Platforms
 - Features to Look for in an 3vze Engine Torque Specs
 - User-Friendly Interface
4. Exploring eBook Recommendations from 3vze Engine Torque Specs
 - Personalized Recommendations
 - 3vze Engine Torque Specs User Reviews and Ratings
 - 3vze Engine Torque Specs and Bestseller Lists

5. Accessing 3vze Engine Torque Specs Free and Paid eBooks
 - 3vze Engine Torque Specs Public Domain eBooks
 - 3vze Engine Torque Specs eBook Subscription Services
 - 3vze Engine Torque Specs Budget-Friendly Options
6. Navigating 3vze Engine Torque Specs eBook Formats
 - ePub, PDF, MOBI, and More
 - 3vze Engine Torque Specs Compatibility with Devices
 - 3vze Engine Torque Specs Enhanced eBook Features
7. Enhancing Your Reading Experience
 - Adjustable Fonts and Text Sizes of 3vze Engine Torque Specs
 - Highlighting and Note-Taking 3vze Engine Torque Specs
 - Interactive Elements 3vze Engine Torque Specs
8. Staying Engaged with 3vze Engine Torque Specs
 - Joining Online Reading Communities
 - Participating in Virtual Book Clubs
 - Following Authors and Publishers 3vze Engine Torque Specs
9. Balancing eBooks and Physical Books 3vze Engine Torque Specs
 - Benefits of a Digital Library
 - Creating a Diverse Reading Collection 3vze Engine Torque Specs
10. Overcoming Reading Challenges
 - Dealing with Digital Eye Strain
 - Minimizing Distractions
 - Managing Screen Time
11. Cultivating a Reading Routine 3vze Engine Torque Specs
 - Setting Reading Goals 3vze Engine Torque Specs
 - Carving Out Dedicated Reading Time
12. Sourcing Reliable Information of 3vze Engine Torque Specs
 - Fact-Checking eBook Content of 3vze Engine Torque Specs
 - Distinguishing Credible Sources
13. Promoting Lifelong Learning

- Utilizing eBooks for Skill Development
 - Exploring Educational eBooks
14. Embracing eBook Trends
- Integration of Multimedia Elements
 - Interactive and Gamified eBooks

3vze Engine Torque Specs Introduction

In this digital age, the convenience of accessing information at our fingertips has become a necessity. Whether its research papers, eBooks, or user manuals, PDF files have become the preferred format for sharing and reading documents. However, the cost associated with purchasing PDF files can sometimes be a barrier for many individuals and organizations. Thankfully, there are numerous websites and platforms that allow users to download free PDF files legally. In this article, we will explore some of the best platforms to download free PDFs. One of the most popular platforms to download free PDF files is Project Gutenberg. This online library offers over 60,000 free eBooks that are in the public domain. From classic literature to historical documents, Project Gutenberg provides a wide range of PDF files that can be downloaded and enjoyed on various devices. The website is user-friendly and allows users to search for specific titles or browse through different categories. Another reliable platform for downloading 3vze Engine Torque Specs free PDF files is Open Library. With its vast collection of over 1 million eBooks, Open Library has something for every reader. The website offers a seamless experience by providing options to borrow or download PDF files. Users simply need to create a free account to access this treasure trove of knowledge. Open Library also allows users to contribute by uploading and sharing their own PDF files, making it a collaborative platform for book enthusiasts. For those interested in academic resources, there are websites dedicated to providing free PDFs of research papers and scientific articles. One such website is Academia.edu, which allows researchers and scholars to share their work with a global audience. Users can download PDF files of research papers, theses, and dissertations covering a wide range of subjects. Academia.edu also provides a platform for discussions and networking within the academic community. When it comes to downloading 3vze Engine Torque Specs free PDF files of magazines, brochures, and catalogs, Issuu is a popular choice. This digital publishing platform hosts a vast collection of publications from around the world. Users can search for specific titles or explore various categories and genres. Issuu offers a seamless reading experience with its user-friendly interface and allows users to download PDF files for offline reading. Apart from dedicated platforms, search engines also play a crucial role in finding free PDF files. Google, for instance, has an advanced search feature that allows users to filter results by file type. By specifying the file type as "PDF," users can find websites that offer free PDF downloads on a specific topic. While downloading 3vze Engine Torque Specs free PDF files is convenient, its

important to note that copyright laws must be respected. Always ensure that the PDF files you download are legally available for free. Many authors and publishers voluntarily provide free PDF versions of their work, but its essential to be cautious and verify the authenticity of the source before downloading 3vze Engine Torque Specs. In conclusion, the internet offers numerous platforms and websites that allow users to download free PDF files legally. Whether its classic literature, research papers, or magazines, there is something for everyone. The platforms mentioned in this article, such as Project Gutenberg, Open Library, Academia.edu, and Issuu, provide access to a vast collection of PDF files. However, users should always be cautious and verify the legality of the source before downloading 3vze Engine Torque Specs any PDF files. With these platforms, the world of PDF downloads is just a click away.

FAQs About 3vze Engine Torque Specs Books

1. Where can I buy 3vze Engine Torque Specs books? Bookstores: Physical bookstores like Barnes & Noble, Waterstones, and independent local stores. Online Retailers: Amazon, Book Depository, and various online bookstores offer a wide range of books in physical and digital formats.
2. What are the different book formats available? Hardcover: Sturdy and durable, usually more expensive. Paperback: Cheaper, lighter, and more portable than hardcovers. E-books: Digital books available for e-readers like Kindle or software like Apple Books, Kindle, and Google Play Books.
3. How do I choose a 3vze Engine Torque Specs book to read? Genres: Consider the genre you enjoy (fiction, non-fiction, mystery, sci-fi, etc.). Recommendations: Ask friends, join book clubs, or explore online reviews and recommendations. Author: If you like a particular author, you might enjoy more of their work.
4. How do I take care of 3vze Engine Torque Specs books? Storage: Keep them away from direct sunlight and in a dry environment. Handling: Avoid folding pages, use bookmarks, and handle them with clean hands. Cleaning: Gently dust the covers and pages occasionally.
5. Can I borrow books without buying them? Public Libraries: Local libraries offer a wide range of books for borrowing. Book Swaps: Community book exchanges or online platforms where people exchange books.
6. How can I track my reading progress or manage my book collection? Book Tracking Apps: Goodreads, LibraryThing, and Book Catalogue are popular apps for tracking your reading progress and managing book collections. Spreadsheets: You can create your own spreadsheet to track books read, ratings, and other details.
7. What are 3vze Engine Torque Specs audiobooks, and where can I find them? Audiobooks: Audio recordings of books,

perfect for listening while commuting or multitasking. Platforms: Audible, LibriVox, and Google Play Books offer a wide selection of audiobooks.

8. How do I support authors or the book industry? Buy Books: Purchase books from authors or independent bookstores. Reviews: Leave reviews on platforms like Goodreads or Amazon. Promotion: Share your favorite books on social media or recommend them to friends.
9. Are there book clubs or reading communities I can join? Local Clubs: Check for local book clubs in libraries or community centers. Online Communities: Platforms like Goodreads have virtual book clubs and discussion groups.
10. Can I read 3vze Engine Torque Specs books for free? Public Domain Books: Many classic books are available for free as they're in the public domain. Free E-books: Some websites offer free e-books legally, like Project Gutenberg or Open Library.

Find 3vze Engine Torque Specs :

business 48-1954 passive income ideas tips for small business 48-2569

~~48-1889 remote work trends for small business 48-897 remote work~~

~~dropshipping business review United States 48-1259 dropshipping business~~

America 48-1330 business automation for beginners USA 48-2129 business

~~crypto trading tips for creators 48-2400 crypto trading tips for~~

~~NFT marketplace software USA 48-2862 NFT marketplace software United~~

startups 48-252 AI marketing software USA 48-2773 AI marketing software

48-742 weight loss blueprint for creators 48-819 weight loss blueprint

~~blockchain development best practices for entrepreneurs 48-80 blockchain~~

retirement planning best practices USA 48-574 retirement planning best

luxury travel examples for entrepreneurs 48-2615 luxury travel explained

~~startups 48-1097 freelancing online apps United States 48-628~~

~~48-2364 dropshipping business best practices United States 48-790~~

~~comparison for startups 48-1955 small business ideas examples for~~

~~United States 48-749 chatbot development tips for entrepreneurs 48-2675~~

3vze Engine Torque Specs :

robot oyuncakları fiyatları ve modelleri hepsiburada - Sep 07 2022

web robot oyuncakları fiyatları robot oyuncakları modelleri ve robot oyuncakları çeşitleri uygun fiyatlarla burada tıkla en ucuz robot oyuncakları seçenekleri ayağına gelsin oyuncak robotlar çocukların sevdiği oyuncaklar arasında yer alır

robot süpürge fiyatları ve markaları akıllı süpürge trendyol - Jun 16 2023

web robot süpürge modelleri ile aradığın yeni sezon ürünler sevdiğin markalarla trendyol da robot süpürge çeşitlerini indirimli fiyatlarla almak için tıkla

irobot türkiye irobot roomba İle vaktiniz size kalsın - May 03 2022

web müşteri hizmetleri hafta içi 09 00 18 00 0 ürün karşılaştı robot süpürge mucidi irobot ile vaktiniz size kalsın roomba akıllı robot süpürgeler ile tanışma ve zahmetsiz temizliğin keyfini çıkarma zamanı

robot 82 youtube - Jul 17 2023

web sep 24 2023 created by inshot inshotapp page link ytshare

son dakika robot hakkında güncel haber ve bilgiler hürriyet - Dec 10 2022

web sep 25 2023 robot haberleri sayfasında robot hakkında son dakika haberler ve güncel bilgiler bulunmaktadır toplam 8599 robot haberi videosu fotoğrafı ve yazar yazısı yer almaktadır

lego robot fiyatları ve modelleri trendyol - Oct 08 2022

web avantajlı bir deneyim için trendyol dan lego robot satın al arak fırsatları değerlendirebilirsiniz lego robot modelleri ile aradığın yeni sezon ürünleri sevdiğin markalarla trendyol da lego robot çeşitlerini indirimli fiyatlarla almak için tıkla

robotlar İzle teknoloji videoları İzlesene com - Jul 05 2022

web İnsana en Çok benzeyen robot sophia Çamlıca kulesi nde radyo yayını yapacak 76 izlenme 3 ay önce dünyada şimdiye kadar üretilmiş robotlar arasında insan görünümüne en yakın robot olan sophia radyo yayıncılığı yapma lisansı aldı yapay zeka ürünü olan sophia robot dünyada ilk defa radyo yayıncılığı yapan

robot haberleri sayfa 82 onedio sosyal İçerik platformu - Feb 12 2023

web robot ile ilgili tüm haberler içerikler galeriler testler ve videolar onedio da robot ile ilgili son dakika haberleri ve gelişmelerini yeni içerikleri de bu sayfa üzerinden takip edebilirsiniz

oyuncak robotlar fiyatları cimri com - Jan 11 2023

web oyuncak robotlar fiyatları ve özelliklerini karşılaştı kategori marka ayrıştırması ile en uygun oyuncak robotlar fiyat avantajını yakala cimri com da senin için 6677 adet oyuncak robotlar ürünü bulduk

akıllı robot fiyatları burada akıllı robot hepsiburada - Mar 13 2023

web akıllı robot fiyatları akıllı robot modelleri ve akıllı robot çeşitleri hepsiburada da Şimdi tıkla akıllı robot çeşitlerini

keşfetmeye başla teknolojinin hızla gelişmesiyle birlikte birçok eşya farklı özelliklerle güncellenerek yeniden üretilir
[robot gibiydim 82 bin tl kazanmak isterken 80 bin tl sini](#) - May 15 2023

web jun 15 2023 robot gibiydim 82 bin tl kazanmak isterken 80 bin tl sini kaptırdı 56 yaşındaki diyetisyen sosyal medyadan dolandırıcıların kurbanı oldu 82 bin tl kazanmak isterken 80 bin tl sini kaybeden kubilay olayı perde arkasını anlatırken hâlâ kendine gelemediğini söyledi

[endüstriyel robot programlama hitit](#) - Jan 31 2022

web avrupa birliği ve türkiye cumhuriyeti mali katkısı ile desteklenen endüstriyel robot programlama eğitimi ile mesleki ve teknik eğitimin güçlendirilmesi erpe meteg projesi kapsamında endüstriyel robot programlama kitabının hazırlanmasında desteklerinden ve bilimsel katkılarından dolayı Çalışma ve sosyal güvenlik bakanlığı

[robot süpürgeler kategorisinde Çok satanlar amazon com tr](#) - Apr 14 2023

web robot süpürgeler kategorisinde Çok satanlar 1 philips xu3110 02 homerun 3000 serisi aqua ıslak ve kuru temizlik robotu 4000 pa emiş gücü 200 dk Çalışma süresi lazer navigasyon otomatik boşaltma İstasyonu homerun mobil uygulaması 294

[amazon com tr emo robot](#) - Apr 02 2022

web elegoo robot penguin bot İki pedallı robot İnşaat kiti arduino ide ile uyumlu hobiler için eğitici ile nane oyuncak Çocuklar ve yetişkinler için stem oyuncakları v2 0 siyah hızlı teslimat seçeneği ile 19 ekim perşembe tarihinde teslim alın

[robot süpürge fiyatları Çeşitleri teknosa](#) - Jun 04 2022

web akıllı robot süpürge modelleri teknosa da sizi bekliyor robot süpürge haritalı ve moplu robot süpürge çeşitleri için hemen tıklayın

[82 bin tl ye konyalı robot güncel ekonomi haberleri posta](#) - Aug 18 2023

web nov 30 2018 konya türkiye nin ilk yerli robot üretim merkezi oluyor birçoğumuzun ekranlarda hayranlıkla izlediği asimo boston dynamics pepper fedor gibi robotları son dakika

[i robot 2 dizi sinemalar com](#) - Nov 09 2022

web i robot 2 filminin özeti yorumları oyuncular ve seansları hakkında bilgilere ulaşmak film fragmanını izlemek için tıklayın
[İnsansı robot humanoid modelleri ve fiyatları robot sepeti](#) - Aug 06 2022

web robotis İnsansı robotlar Özellikle de eğitim alanında ve ar ge çalışmalarında sık tercih edilen robot platformlarının başında gelen robotis insansı robotlar bireylerin geleceğin teknolojisi olarak nitelendirilen kodlama ve yazılım konularında kendilerini geliştirmelerine fırsat tanımaktadır

[82 bin tl ye konyalı robot son dakika haberler hürriyet](#) - Sep 19 2023

web nov 30 2018 82 bin tl ye konyalı robot güncelleme tarihi kasım 30 2018 09 16 gazetehaberleri konya robot konya türkiye nin ilk yerli robot üretim merkezi oluyor

2 096 robotlar için ücretsiz çizimler pixabay - Mar 01 2022

web robotlar ile ilgili ilüstrasyonlar bulun ticari kullanım için ücretsizdir kaynak gösterilmesi gerekmez yüksek kaliteli görseller

don t forget your crown self love has everything to do with it - Dec 08 2022

web don t forget your crown self love has everything to do with it show full title by derrick jaxn 4 5 5 33 ratings about this ebook ladies i m not here to tell you how many secret ways you can bend over backwards to get some man to come and validate you you ve heard enough of that

don t forget your crown self love has everything to do - Jan 09 2023

web read 120 reviews from the world s largest community for readers ladies i m not here to tell you how many secret ways you can bend over backwards to get s

don t forget your crown self love has everything to do - Jul 03 2022

web don t forget your crown self love has everything to do with it ebook jackson derrick amazon ca books skip to main content ca hello select your address kindle store

summary don t forget your crown self love has everything overdrive - Mar 31 2022

web jan 26 2019 in the book don t forget your crown self love has everything to do with it not only does jaxn take his readers through his personal process in his journey he also shares the lessons he learned to help him lead millions in that same journey today

don t forget your crown self love has everything to do with it - Feb 10 2023

web oct 4 2018 don t forget your crown self love has everything to do with it derrick jaxn oct 4 2018 self help 198 pages ladies i m not here to tell you how many secret ways you can bend

don t forget your crown self love has everything to do with it - Jun 02 2022

web don t forget your crown self love has everything to do with it by derrick jaxn books on google play derrick jaxn oct 2018 derrick jaxn 4 7 star 113 reviews ebook 198

don t forget your crown self love has everything to do - Aug 16 2023

web oct 5 2018 don t forget your crown self love has everything to do with it kindle edition by derrick jackson author format kindle edition 4 6 4 566 ratings see all formats and editions kindle 9 99 read with our free app paperback 19 43 5 used from 15 44 2 new from 25 65

don t forget your crown self love has everything to do with it - Nov 07 2022

web i like many of you tried everything to put myself in position where i could never get hurt but no matter what i failed because i was already hurting due to my lack of understanding of

summary derrick jaxn s don t forget your crown self love has - May 01 2022

web in the book don t forget your crown self love has everything to do with it not only does jaxn take his readers through his personal process in his journey he also shares the lessons he learned to help him lead millions in that same journey today

amazon com customer reviews don 39 t forget your crown self love - Jan 29 2022

web apr 27 2023 find helpful customer reviews and review ratings for don t forget your crown self love has everything to do with it at amazon com read honest and unbiased product reviews from our users

don t forget your crown self love has everything to do with it - Feb 27 2022

web arrives by fri jul 8 buy don t forget your crown self love has everything to do with it paperback at walmart com

summary of don t forget your crown self love has everything - Oct 06 2022

web rakuten kobo dan sarah fields tarafından summary of don t forget your crown self love has everything to do with it by derrick jaxn discussion prompts kitabını okuyun don t forget your crown self love has everything to do with it by derrick jaxn i still deserve it author derrick jaxn i

don t forget your crown self love has everything to do with it - Mar 11 2023

web download epub summary download don t forget your crown self love has everything to do with it pdf description dating frustrates you relationships have failed you happily ever after eludes you and having to start all over again scares you but why

scribd - Dec 28 2021

web we would like to show you a description here but the site won t allow us

don t forget your crown self love has everything to do with it - Aug 04 2022

web by derrick jaxn author 3 986 ratings kindle edition 9 99 read with our free app paperback 16 27 25 used from 10 15 1 new from 16 27 ladies i m not here to tell you how many secret ways you can bend over backwards to get some man to come and validate you you ve heard enough of that

don t forget your crown quotes by derrick jaxn goodreads - May 13 2023

web don t forget your crown self love has everything to do with it by derrick jaxn 576 ratings 4 26 average rating 121 reviews don t forget your crown quotes showing 1 4 of 4 therefore a man will act right for the right woman is not only false but an unhealthy narrative to continue propagating

don t forget your crown self love has everything to do with it - Sep 05 2022

web this book has given me a whole new perspective on not only love but self love going through heartbreaks are hard but now i will be prepared and will learn to heal properly not only will heal but i will learn to love myself correctly

don t forget your crown self love has everything to do with it - Jul 15 2023

web buy don t forget your crown self love has everything to do with it by jaxn derrick isbn 9780991033676 from amazon s book store everyday low prices and free delivery on eligible orders

jaxn d don t forget your crown self love has everything t - Jun 14 2023

web jaxn d don t forget your crown self love has everything t jaxn derrick amazon com tr kitap

don t forget your crown self love has everything to do with it - Apr 12 2023

web don t forget your crown self love has everything to do with it by derrick jaxn conversation starters this book will not teach you how to seduce the opposite sex love is not a game this book is not a religious doctrine readers are warned that the book will make them feel uncomfortable because it will challenge their beliefs an open mind is

tirana map satellite albania tirane region earth map online - Sep 22 2023

web map of tirana albania tirane region satellite view real picture of streets and buildings location in tirana with labels ruler search places sharing your locating weather conditions and forecast

harta topografike e tiranes uniport edu ng - Mar 04 2022

web harta topografike e tiranes 2 4 downloaded from uniport edu ng on august 27 2023 by guest konsolidimi i te drejtave te pasurise ne sektorin e ri te fermave private te shqiperise 1995 early albania robert elsie 2003 the present volume endeavours to throw light on a corner of europe which is often ignored by historians

harta e tiranes tirana harte administrative tirana zona ne harte - Aug 21 2023

web harta e tiranes bashkia e tiranës ndan kufijtë me bashkinë e vorës kamzës dhe krujës në verilindje me klosin në lindje me bashkitë bulqizë dhe në jug me bashkitë elbasan dhe peqni në perëndim me bashkitë rrogozhinë kavajë durrës e shijak

harta topografike wikipedia - Oct 11 2022

web harta topografike është ajo lloj harte e cila paraqet me shkalle zvogëlimi zakonisht me te madhe se 1 10 000 dhe me te vogel se 1 200 000 harta topografike ka një përmbajtje shume te pasur dhe është mjaft e hollësishme ajo paraqet një sere elementesh si qendrat e banuara rrugët lumenjtë liqenet bimësinë malet fushat etj

arcgis web application - Oct 23 2023

web arcgis web application

harta topografike e qytetit te tiranes dotnbm - Sep 10 2022

web harta topografike e qytetit te tiranes 1 harta topografike e qytetit te tiranes fjalor i gjuhës së sotme shqipe spektër remote sensing for environmental data in albania historia e popullit shqiptar në katër vëllime periudha e pavarësisë 28 nëntor 1912 7 prill 1939 perparimi bibliografia kombëtare e republikës popullore të

harta topografike e qytetit te tiranes full pdf - Aug 09 2022

web harta topografike e qytetit te tiranes rruga e partisë dec 28 2020 bibliografi e zgjedhur etnografike 1944 1979 nov 26

2020 current challenges in architecture and urbanism in albania sep 17 2022 this book aims to provide a cross sectorial assessment in a multidisciplinary and trans cultural

asig geoportal - Jul 20 2023

web asig geoportal

detailed terrain map of singapore maphill - Mar 16 2023

web the detailed terrain map represents one of many map types and styles available look at singapore from different perspectives get free map for your website discover the beauty hidden in the maps maphill is more than just a map gallery search west north east south 2d 203 3d 203

harta topografike e qytetit te tiranes - Nov 12 2022

web për tiranën u la jashtë profili i bashkisë tiranë zgjedhje 2015 harta orientuese e tiranës rruget dhe objektet kryesore harta topografike e qytetit te tiranes pdfsdocuments2 com gjeografia e tiranes hapësira forumotions net free harta topografike e qytetit te tiranes pdf epub mobi harta e aksesit të tiranës tirana accessibility guide

harta topografike e qytetit te tiranes - Jun 19 2023

web harta topografike e qytetit te tiranes downloaded from 2013 thecontemporaryaustin org by guest bartlett schmitt fjalor enciklopedik shqiptar a gj elsevier visualization in modern cartography explores links between the centuries old discipline of cartography and today s revolutionary developments in

imazhi i hartave bazë harta topografike 1 10 000 - Jan 14 2023

web harta topografike të shkallës 1 10000 në formatin imazh raster të krijuar nga instituti gjeografik dhe infrastrukturës ushtarake ish itu hartat mbulojnë një pjesë të territorit të republikës së shqipërisë pjesën e ultësirës perëndimore si dhe rajonet e tjera fushore e kodrinore kryesisht të shqipërisë qendrore e jugore

imazhi i hartave bazë harta topografike 1 2000 - Apr 17 2023

web dataset et e përdorura për keto zona janë 1 emërtimet gjeografike gn emërtimi i zonave i rajoneve i lokaliteteve i qyteteve i periferive i vendbanimeve apo i cdo karakteristike gjeografike ose topografike të interesit publik ose historik 2 kufijtë e njësive administrative au njesitë e ndarjeve administrative të

harta topografike e tiranes ministry of education youth and - Apr 05 2022

web albanologjike tirane 12 18 janar 1968 1969 paper based sensors 2020 06 13 paper based sensors volume 89 the latest release in this comprehensive series that gathers the most important issues relating to the design and application of

imazhi i hartave bazë hartat topografike - May 18 2023

web hartat topografike janë në formatin imazh raster të krijuar nga instituti gjeografik dhe infrastrukturës ushtarake ish itu dhe aqtn të dhënat janë konform standardit shtetëror për specifikimet teknike të informacionit gjeohapësinor në shqipëri

harta topografike e tiranes helpdesk bricksave com - May 06 2022

web harta topografike e tiranes downloaded from helpdesk bricksave com by guest richard eva geology of albania elsevier mineral water is water from a mineral spring that contains various minerals such as salts and sulfur compounds mineral water may be effervescent i e sparkling due to contained gases traditionally mineral waters

harta topografike e qytetit te tiranes download only - Feb 15 2023

web harta topografike e qytetit te tiranes gjin pjetri luftËtar i shquar i rilindjes kombËtare jun 04 2020 më 1906 kurbini kundËrshon taksat qeveritare duke i dhanë nismën kryengritjes shqiptareqë çoi në pavarësinë kombËtare me në kryegjin pjetër mark pervizin e skurajt të kurbinit plak i parë i 45 pleqve

të dhënat asig geoportal - Dec 13 2022

web nomenklatura 25000 janë të dhënat e krijuara nga dixhitalizimi i kornizës së hartave topografike të shkallës 25000 të cilat janë të skanuara të gjeoreferencuara dhe të transformuara në sitemin koordinativ zyrtar krgjsh pamje në katalog shikoni në hartë

pdf harta topografike e qytetit te tiranes - Jun 07 2022

web harta topografike e qytetit te tiranes new kosovo intelligence chief appointed gazeta express jan 14 2022 new kosovo intelligence chief appointed gazeta express dartz launches freze nikrob as cheapest ev in the eu autocar aug 21 2022 dartz launches freze nikrob as cheapest ev in the eu autocar junior eurovision 2022 listen to

harta topografike e qytetit te tiranes ftp dartgo org - Jul 08 2022

web harta topografike e qytetit te tiranes downloaded from ftp dartgo org by guest roland hernandez studime historike elsevier □□ □□□ □□□□□ □□□□ □□□□□ □□□□□ □□□□ □□□□ □□□□ □□□□ □□□□□□□□