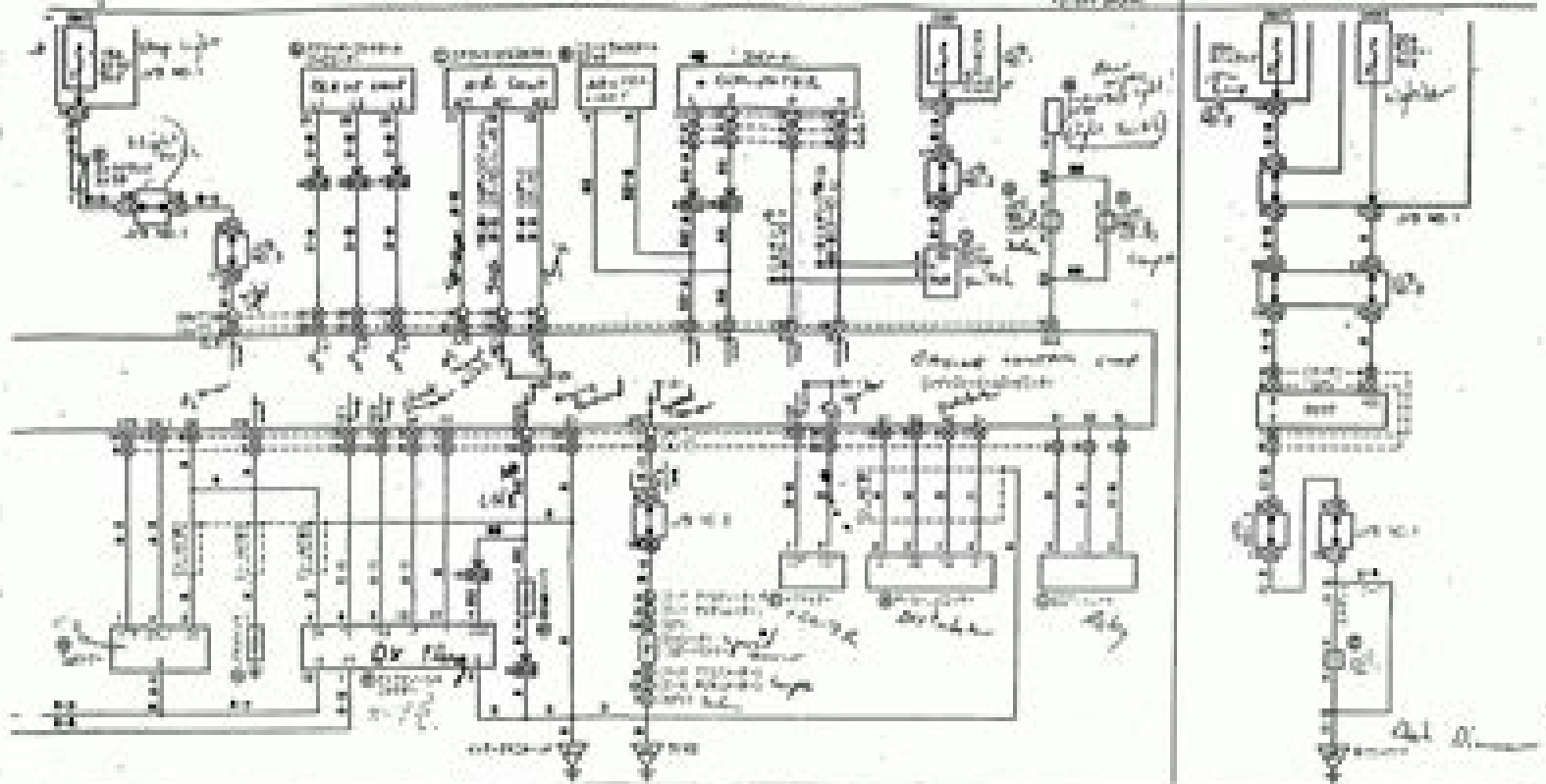
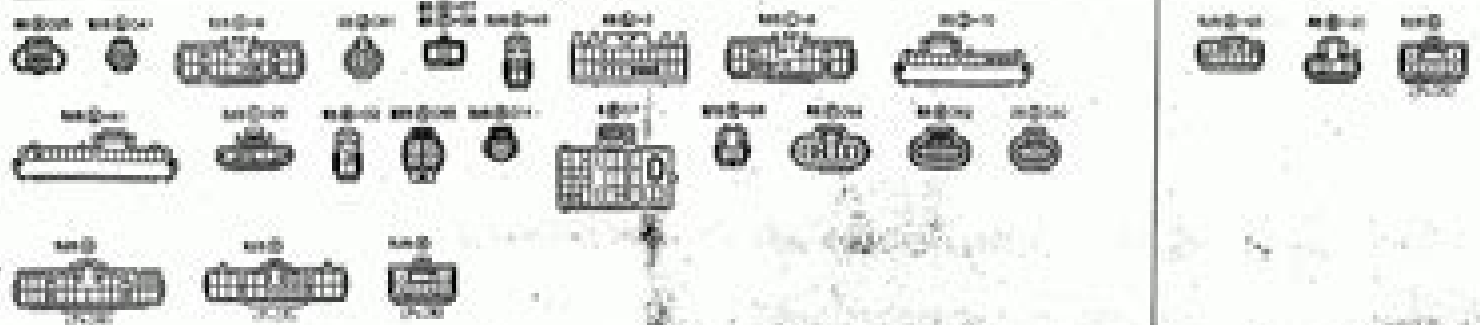


1997 J/70-F & ECT (4A-16)

20V



20V



1997 J/70-F & ECT (4A-16)

# 4efte Manual

**D Siedentop**



## **4eifte Manual:**

**Allis-Chalmers Shop Manual Ac-202 (I&T Shop Service Manuals/Ac-202)** Penton Staff,2000-05-24 Model D 19 Models 180 185 190 190XT 200 7000 Models D 21 D 21 Series II Two Ten Two Twenty Models 7010 7020 7030 7040 7045 7050 7060 7080 Gas and diesel Diesel *Toyota 4A-F, 4A-GE Engine Repair Manual* , **The Hollander Interchange Manual** Hollander,Hollander Company,2001-08-01 *Toyota 4A-FE, 4A-GE Engine Repair Manual* ,1994 *2007 Import Diagnostic Trouble Code Manual (1994-2007)* Autodata,2006-11 Model year coverage for the Import DTC Manual is 1994 2007 The manual features domestic diagnostic trouble codes and list the probable cause of each code The manual provides MIL Codes OBD Codes and Fault locations Code retrieval techniques are described using concise text and clear illustrations in separate sections for each model Instructions for retrieval and erasure of trouble codes are provided as well as data link connector locations All data is based on OEM information The information is available on CD CDs contain both English and Spanish languages Today's Technician: Manual Transmissions and Transaxles Classroom Manual and Shop Manual Jack Erjavec,Michael Ronan,Justin Blevins,2026-01-16 Gear up for success with Today s Technician Manual Transmissions and Transaxles Classroom Manual and Shop Manual 8th Edition This proven practical guide includes easy to understand information on a range of must know topics including transmission system and subsystem components shop safety basics dual clutch systems limited slip differential designs all wheel drive systems and six speed transmissions The text includes a Classroom Manual reviewing every topic for Manual Drive Train and Axles and a hands on Shop Manual with photos and detailed job sheets so you ll know exactly what to expect with performing service and repair tasks based on the latest MLR AST and MAST task lists The text as well as end of chapter questions prepare you for the ASE certification exam Chapter objectives are clearly laid out and match chapter headings for both the classroom and shop manuals Ford Speed Manual Bill Fisher,2007-05-01 Reprint of the original 1952 edition is still viable and is filled with useful information for today s enthusiast Because most Ford owners are interested in hopping up their engines for maximum performance with minimum expense This book provides basic information on the engines and what the engine is capable of doing *The Hollander Interchange Manual* Hollander,2000-10-01 **NATEF Standards Job Sheet - A3 Manual Transmissions** Jack Erjavec,Delmar Thomson Learning,Thomson Delmar Learning,2002-02-14 New from today s leading automotive education publisher each of our eight NATEF National Automotive Technicians Education Foundation Standards Job Sheets workbooks has been thoughtfully designed to assist users in gaining valuable job preparedness skills and mastering specific technical competencies required for success as a professional automotive technician Ideal for use as a stand alone item or with any comprehensive or topic specific automotive text the entire series is based on current NATEF standards and consists of individual books for each of the following areas Engine Repair Automatic Transmissions Transaxles Manual Drive Trains and Axles Suspension and Steering Brakes Electricity Electronics Heating and Air Conditioning and Engine Performance Central

to each manual are well designed and easy to read job sheets each of which contains specific performance based objectives lists of required tools and materials safety precautions plus step by step procedures to lead users to completion of shop activities As they work through each task users are encouraged to conduct tests record measurements make observations and employ critical thinking skills in order to draw conclusions Space for users to make notes concerning problems encountered while working as well as space for instructors to add comments and or grades is also included

**Allis Chalmers Shop Manual Models B C CA G RC WC WD +** Editors of Haynes Manuals,1994-12-01 With a Haynes manual you can do it yourself from simple maintenance to basic repairs Haynes writes every book based on a complete teardown of the vehicle where we learn the best ways to do a job and that makes it quicker easier and cheaper for you Haynes books have clear instructions and hundreds of photographs that show each step Whether you are a beginner or a pro you can save big with a Haynes manual This manual features complete coverage for your Allis Chalmers Tractor Models B C CA G RC WC WD covering routine maintenance tune up procedures engine repair cooling and heating air conditioning fuel and exhaust emissions control ignition brakes suspension and steering electrical systems and wiring diagrams

Today's Technician: Manual Transmissions and Transaxles Classroom Manual and Shop Manual, Spiral bound Version Jack Erjavec,Michael Ronan,2015-01-02 Succeed in the course your future career and the ASE A3 Manual Drive Train and Axles certification test with TODAY S TECHNICIAN MANUAL TRANSMISSIONS TRANSAXLES 6e You ll find practical easy to understand coverage of a wide range of must know topics that adhere the 2013 ASE Education Foundation AST MAST program standards including dual clutch systems various limited slip differential designs six speed transmissions safe work practices and more Volume I the Classroom Manual covers every topic on the ASE A3 Manual Drive Train and Axles certification test while Volume II the Shop Manual includes job sheets that get you involved in performing hands on service and repair tasks In addition detailed full color photos show you what to expect when performing a procedure on the job Important Notice Media content referenced within the product description or the product text may not be available in the ebook version

**Today's Technician: Manual Transmissions and Transaxles Shop Manual** Jack Erjavec,Michael Ronan,2015-01-02 Succeed in your future career and on the ASE A3 Manual Drive Train and Axles certification test with TODAY S TECHNICIAN MANUAL TRANSMISSIONS TRANSAXLES 6e You ll find practical easy to understand coverage of a wide range of must know topics that adhere the 2013 ASE Education Foundation AST MAST program standards including dual clutch systems various limited slip differential designs six speed transmissions safe work practices and more Volume I covers every topic on the ASE A3 Manual Drive Train and Axles certification test while Volume II includes job sheets that get you involved in performing hands on service and repair tasks In addition detailed full color photos show you what to expect when performing a procedure on the job

**Hollander Interchange Manuals** Hollander,2004-09-01 Automotive parts interchange and identification information

**2018 Toyota Camry Owner Manual Compatible with OEM Owners Manual, Factory Glovebox Book**

Helming,2018-08-20 Case International Shop Manuals 1190 1290 1390 1490+ Editors of Haynes Manuals,1987-11-01 With a Haynes manual you can do it yourself from simple maintenance to basic repairs Haynes writes every book based on a complete teardown of the vehicle where we learn the best ways to do a job and that makes it quicker easier and cheaper for you Haynes books have clear instructions and hundreds of photographs that show each step Whether you are a beginner or a pro you can save big with a Haynes manual This manual features complete coverage for your Case International Tractor Models 1190 1290 1390 or 1490 covering Routine maintenance Tune up procedures Engine repair Cooling and heating Air conditioning Fuel and exhaust Emissions control Ignition Brakes Suspension and steering Electrical systems and Wiring diagrams *Toyota 4A-GE Engine Emission Control Repair Manual ,1987 White: Shop Manual W-201 (I & T Shop Service Manuals, W-201)* Penton Staff,2000-05-24 Gas models 2 70 Diesel models 2 30 2 35 2 45 2 55 2 62 2 65 2 70 2 75 2 85 2 105 2 135 2 150 2 155 **White: Shop Manual W-201 (I & T Shop Service Manuals, W-201)** Penton Staff,2000-05-24 Gas models 2 70 Diesel models 2 30 2 35 2 45 2 55 2 62 2 65 2 70 2 75 2 85 2 105 2 135 2 150 2 155

**Turbo Hydra-Matic 350 Handbook** Ron Sessions,1987-01-01 This clear concise text leads you through every step of the rebuild of your Turbo Hydra matic transmission from removal teardown and inspection to assembly and installation This book also covers transmission identification principles of operation and maintenance troubleshooting and in car repairs It includes heavy duty and high performance modifications coolers high stall converters shift programming kits internal beef ups and more More than 750 photos drawings and charts combine with text give you the most authoritative book of its kind

Allis-Chalmers Shop Manual AC20 AC17 AC25 & AC27 Editors of Haynes Manuals,1989-10-01 With a Haynes manual you can do it yourself from simple maintenance to basic repairs Haynes writes every book based on a complete teardown of the vehicle where we learn the best ways to do a job and that makes it quicker easier and cheaper for you Haynes books have clear instructions and hundreds of photographs that show each step Whether you are a beginner or a pro you can save big with a Haynes manual This manual features complete coverage for your Allis Chambers Tractor Model AC20 AC17 AC25 or AC27 covering routine maintenance tune up procedures engine repair cooling and heating air conditioning fuel and exhaust emissions control ignition brakes suspension and steering electrical systems and wiring diagrams

Embark on a transformative journey with Explore the World with is captivating work, Grab Your Copy of **4efte Manual** . This enlightening ebook, available for download in a convenient PDF format PDF Size: , invites you to explore a world of boundless knowledge. Unleash your intellectual curiosity and discover the power of words as you dive into this riveting creation. Download now and elevate your reading experience to new heights .

[https://py.bijouxmedusa.com/public/detail/Download\\_PDFS/writing%20apps%20united%20states%2086%20466%20resume%20writing%20apps%20for%20creators.pdf](https://py.bijouxmedusa.com/public/detail/Download_PDFS/writing%20apps%20united%20states%2086%20466%20resume%20writing%20apps%20for%20creators.pdf)

## **Table of Contents 4efte Manual**

1. Understanding the eBook 4efte Manual
  - The Rise of Digital Reading 4efte Manual
  - Advantages of eBooks Over Traditional Books
2. Identifying 4efte Manual
  - Exploring Different Genres
  - Considering Fiction vs. Non-Fiction
  - Determining Your Reading Goals
3. Choosing the Right eBook Platform
  - Popular eBook Platforms
  - Features to Look for in an 4efte Manual
  - User-Friendly Interface
4. Exploring eBook Recommendations from 4efte Manual
  - Personalized Recommendations
  - 4efte Manual User Reviews and Ratings
  - 4efte Manual and Bestseller Lists
5. Accessing 4efte Manual Free and Paid eBooks
  - 4efte Manual Public Domain eBooks
  - 4efte Manual eBook Subscription Services

- 4efte Manual Budget-Friendly Options
- 6. Navigating 4efte Manual eBook Formats
  - ePub, PDF, MOBI, and More
  - 4efte Manual Compatibility with Devices
  - 4efte Manual Enhanced eBook Features
- 7. Enhancing Your Reading Experience
  - Adjustable Fonts and Text Sizes of 4efte Manual
  - Highlighting and Note-Taking 4efte Manual
  - Interactive Elements 4efte Manual
- 8. Staying Engaged with 4efte Manual
  - Joining Online Reading Communities
  - Participating in Virtual Book Clubs
  - Following Authors and Publishers 4efte Manual
- 9. Balancing eBooks and Physical Books 4efte Manual
  - Benefits of a Digital Library
  - Creating a Diverse Reading Collection 4efte Manual
- 10. Overcoming Reading Challenges
  - Dealing with Digital Eye Strain
  - Minimizing Distractions
  - Managing Screen Time
- 11. Cultivating a Reading Routine 4efte Manual
  - Setting Reading Goals 4efte Manual
  - Carving Out Dedicated Reading Time
- 12. Sourcing Reliable Information of 4efte Manual
  - Fact-Checking eBook Content of 4efte Manual
  - Distinguishing Credible Sources
- 13. Promoting Lifelong Learning
  - Utilizing eBooks for Skill Development
  - Exploring Educational eBooks
- 14. Embracing eBook Trends

- Integration of Multimedia Elements
- Interactive and Gamified eBooks

## 4efte Manual Introduction

4efte Manual Offers over 60,000 free eBooks, including many classics that are in the public domain. Open Library: Provides access to over 1 million free eBooks, including classic literature and contemporary works. 4efte Manual Offers a vast collection of books, some of which are available for free as PDF downloads, particularly older books in the public domain. 4efte Manual : This website hosts a vast collection of scientific articles, books, and textbooks. While it operates in a legal gray area due to copyright issues, its a popular resource for finding various publications. Internet Archive for 4efte Manual : Has an extensive collection of digital content, including books, articles, videos, and more. It has a massive library of free downloadable books. Free-eBooks 4efte Manual Offers a diverse range of free eBooks across various genres. 4efte Manual Focuses mainly on educational books, textbooks, and business books. It offers free PDF downloads for educational purposes. 4efte Manual Provides a large selection of free eBooks in different genres, which are available for download in various formats, including PDF. Finding specific 4efte Manual, especially related to 4efte Manual, might be challenging as theyre often artistic creations rather than practical blueprints. However, you can explore the following steps to search for or create your own Online Searches: Look for websites, forums, or blogs dedicated to 4efte Manual, Sometimes enthusiasts share their designs or concepts in PDF format. Books and Magazines Some 4efte Manual books or magazines might include. Look for these in online stores or libraries. Remember that while 4efte Manual, sharing copyrighted material without permission is not legal. Always ensure youre either creating your own or obtaining them from legitimate sources that allow sharing and downloading. Library Check if your local library offers eBook lending services. Many libraries have digital catalogs where you can borrow 4efte Manual eBooks for free, including popular titles. Online Retailers: Websites like Amazon, Google Books, or Apple Books often sell eBooks. Sometimes, authors or publishers offer promotions or free periods for certain books. Authors Website Occasionally, authors provide excerpts or short stories for free on their websites. While this might not be the 4efte Manual full book , it can give you a taste of the authors writing style. Subscription Services Platforms like Kindle Unlimited or Scribd offer subscription-based access to a wide range of 4efte Manual eBooks, including some popular titles.

## FAQs About 4efte Manual Books

**What is a 4efte Manual PDF?** A PDF (Portable Document Format) is a file format developed by Adobe that preserves the layout and formatting of a document, regardless of the software, hardware, or operating system used to view or print it. **How**

**do I create a 4efte Manual PDF?** There are several ways to create a PDF: Use software like Adobe Acrobat, Microsoft Word, or Google Docs, which often have built-in PDF creation tools. Print to PDF: Many applications and operating systems have a "Print to PDF" option that allows you to save a document as a PDF file instead of printing it on paper. Online converters: There are various online tools that can convert different file types to PDF. **How do I edit a 4efte Manual PDF?** Editing a PDF can be done with software like Adobe Acrobat, which allows direct editing of text, images, and other elements within the PDF. Some free tools, like PDFescape or Smallpdf, also offer basic editing capabilities. **How do I convert a 4efte Manual PDF to another file format?** There are multiple ways to convert a PDF to another format: Use online converters like Smallpdf, Zamzar, or Adobe Acrobat's export feature to convert PDFs to formats like Word, Excel, JPEG, etc. Software like Adobe Acrobat, Microsoft Word, or other PDF editors may have options to export or save PDFs in different formats. **How do I password-protect a 4efte Manual PDF?** Most PDF editing software allows you to add password protection. In Adobe Acrobat, for instance, you can go to "File" -> "Properties" -> "Security" to set a password to restrict access or editing capabilities. Are there any free alternatives to Adobe Acrobat for working with PDFs? Yes, there are many free alternatives for working with PDFs, such as: LibreOffice: Offers PDF editing features. PDFsam: Allows splitting, merging, and editing PDFs. Foxit Reader: Provides basic PDF viewing and editing capabilities. How do I compress a PDF file? You can use online tools like Smallpdf, iLovePDF, or desktop software like Adobe Acrobat to compress PDF files without significant quality loss. Compression reduces the file size, making it easier to share and download. Can I fill out forms in a PDF file? Yes, most PDF viewers/editors like Adobe Acrobat, Preview (on Mac), or various online tools allow you to fill out forms in PDF files by selecting text fields and entering information. Are there any restrictions when working with PDFs? Some PDFs might have restrictions set by their creator, such as password protection, editing restrictions, or print restrictions. Breaking these restrictions might require specific software or tools, which may or may not be legal depending on the circumstances and local laws.

### **Find 4efte Manual :**

*writing apps United States 86-466 resume writing apps for creators*

**entrepreneurs 86-2111 machine learning basics trends for small business**

**for creators 86-1017 ecommerce trends best practices USA 86-2046**

*86-2537 side hustles explained for startups 86-2605 side hustles*

**startups 86-2331 affiliate marketing guide for creators 86-570 affiliate**

*beginners for creators 86-895 remote jobs for beginners for*

*online privacy tips for entrepreneurs 86-2824 online privacy tips for*

[guide for startups 86-2472](#) [weight loss guide for startups 86-369](#) [weight automation for beginners USA 86-2226](#) [business automation for beginners ideas tutorial for small business 86-2696](#) [mobile app ideas tutorial for 86-2713](#) [retirement planning best practices United States 86-693](#) [estate investing roadmap for small business 86-117](#) [real estate investing ideas checklist for entrepreneurs 86-2929](#) [small business ideas checklist tips examples for small business 86-2616](#) [interview tips explained USA 86-2888](#) [cloud computing roadmap United States 86-726](#) [cloud computing](#)

#### 4efte Manual :

**la mythologie du monde celte poche claude** - Aug 21 2023

web mar 12 2014 descriptif détails À travers cet ouvrage rigoureux mais accessible à tous au cœur d'un imaginaire foisonnant claude sterckx nous propose de découvrir les mythes et leurs protagonistes dont histoires épiques et rocambolesques sont aux sources de notre

[cinq principes fondateurs de la mythologie celte geo fr](#) - Jul 08 2022

web À travers cet ouvrage rigoureux mais accessible à tous au cœur d'un imaginaire foisonnant claude sterckx nous propose de découvrir les mythes et leurs protagonistes dont histoires épiques et rocambolesques sont aux sources de notre culture qu'elles continuent de

*rosalynn carter ancienne première dame des États unis le* - Sep 29 2021

*mythologie du monde celte by claude sterckx goodreads* - Dec 13 2022

web mar 12 2014 sous 24 48h retrait en librairie gratuit en 1h service clients de 9h à 17h30 paiement paypal en 4x sans frais la mythologie du monde celte de claude sterckx collection poche marabout vie quotidien livraison gratuite à 0 01 dès 35 d'achat

[la mythologie du monde celte claude sterckx cultura](#) - Aug 09 2022

web mythologie bretonne mythologie celtique mythologie celtique brittonique mythologie finnoise mythologie franque mythologie germanique mythologie nordique mythologie pyrénéenne europe de l'est mythologie estonienne mythologie hongroise

*cosmos philosophie wikipédia* - Dec 01 2021

web nov 19 2023 avant de devenir gouverneur de géorgie puis président le celte le 20 11 2023 à 07 28 77 coupe du monde

de rugby 2023 15 mythes sur les vertus des aliments

[liste des mythologies wikipédia](#) - Jun 07 2022

web thor odin druidisme dieux solaires découvrez un monde de contes et de légendes avec ces livres sur les mythes celtes et nordiques ces ouvrages vous apprendront tout ce qu'il y a à savoir sur les spectaculaires quêtes les créatures fantastiques mais aussi les

**mythologie du monde celte ebook claudes sterckx santé** - May 06 2022

web read le cycle mythologique irlandais et la mythologie celtique by henri d arbois de jubainville available from rakuten kobo un des documents le plus souvent cités sur la religion celtique est un passage de césar de bello gallico où le conquér

**mythologie celtique wikipédia** - Oct 23 2023

web À travers cet ouvrage rigoureux mais accessible à tous au cœur d'un imaginaire foisonnant claudes sterckx nous propose de découvrir les mythes et leurs protagonistes dont histoires épiques et rocambolesques sont aux sources de notre culture qu'elles continuent de

**ebook le monde celte mythes et civilisations** - Apr 17 2023

web mythologie du monde celte 2018 claudes sterckx paris marabout 2018 data 2 17 data bnf fr le triangle tellurique 2017 bernard riegel marc la mythologie des celtes et des vikings 2004 thierry bordas paris succès du livre maxi livres 2004 les [le cycle mythologique irlandais et la mythologie celtique](#) - Mar 04 2022

web résultat de la recherche 31 recherche sur le mot clé mythologie affiner la recherche générer le flux rss de la recherche partager le résultat de cette recherche mythologie les dieux grecs patricia cré

**liste des divinités celtiques wikipédia** - May 18 2023

web le portail monde celtique est un portail wikipédia ayant pour objectif d'offrir un accès aisé à l'ensemble des articles de wikipédia ayant trait aux celtes de l'antiquité mais également aux nations modernes qui revendiquent une identité celtique lumière sur modifier

**sidh wikipédia** - Feb 03 2022

web le cosmos désigne tout d'abord le ciel étoilé et ordonné les constellations 3 le mot en grec a été appliqué à l'univers par les pythagoriciens 4 le cosmos peut être décrit comme l'univers tout entier ou une partie de l'univers dès lors qu'il est considéré comme un

**la mythologie du monde celte de claudes sterckx decitre** - Oct 11 2022

web la mythologie du monde celte claudes sterckx auteur descriptif détaillé poche 8 90 epub 5 49 téléchargement direct réservez en ligne retirez sous 4h livraison gratuite en magasin retour en magasin sous 30 jours description descriptif du fournisseur

*la mythologie du monde celte sterckx claude amazon fr* - Sep 22 2023

web mar 12 2014 À travers cet ouvrage rigoureux mais accessible à tous au cœur d'un imaginaire foisonnant claude sterckx nous propose de découvrir les mythes et leurs protagonistes dont histoires

**mythologie celtique data bnf fr** - Feb 15 2023

web nov 18 2009 mythologie du monde celte claude sterckx 4 00 14 ratings 2 reviews mystérieux celtes oui et non oui parce qu'on les croit généralement enveloppés d'une aura hors du commun non parce que les chercheurs ont mis au jour bien des aspects

*international french school singapore bcd elementaire* - Jan 02 2022

web résultat de la recherche 58 recherche sur le mot clé mythologie grecque affiner la recherche générer le flux rss de la recherche partager le résultat de cette recherche la mythologie grecque hélène montandre

**la mythologie du monde celte poche 2014 de claude sterckx** - Jun 19 2023

web la collection le monde de la mythologie constitue une introduction aux mythes des plus grandes civilisations de notre planète dans mythes celtiques vous découvrirez les aventures du héros cùchulainn les batailles des géants et des sorciers ainsi que les

**mythologie celtique les traditions du monde celte** - Sep 10 2022

web aug 24 2020 l'œuf de serpent rechercher cet objet mythique était pour les druides une quête spirituelle comme le graal il s'agissait d'acquérir la connaissance du monde des oursins fossiles que les celtes prenaient pour ces œufs de serpents ont été retrouvés

*international french school singapore bcd elementaire* - Oct 31 2021

*la création du monde selon la mythologie celte hystorasia* - Nov 12 2022

web dec 9 2018 la mythologie celtique figure parmi les plus grands mystères de l'histoire je vous invite à découvrir le panthéon celtique et la cosmogonie des peuples de l'Europe occidentale

**portail monde celtique wikipédia** - Mar 16 2023

web mythologie celtique les mythes et les le gendes du monde celtique auteur arthur cotterell résumé ge ne reusement illustre ce dictionnaire des mythes et le gendes permet de retrouver rapidement les personnages symboles et the mes des grandes cultures

mythes celtes et nordiques mythologie livre bd fnac - Apr 05 2022

web seuls des héros des êtres exceptionnels tel cùchulainn conle ou bran mac feabil ont le privilège de visiter et de séjourner dans le sidh généralement à l'invitation d'une bansidh Éternel par essence tout homme qui y pénètre ne peut revenir à la

condition humaine

**mythologie du monde celte claude sterckx google books** - Jul 20 2023

web les divinités celtiques sont connues par diverses sources telles que la mythologie celtique écrite les anciens lieux de culte les statues les gravures les objets religieux ainsi que les noms de lieux et de personnes préambule les divinités celtiques peuvent appartenir à

mythologie celtique les mythes et les légendes du monde - Jan 14 2023

web encore peu connue et incomplète la mythologie celtique possède pourtant certains mythes sur la création du monde avant de poursuivre il est nécessaire de comprendre que parler de mythologie celte est un procédé de vulgarisation en effet les celtes

**read free the little book of danny dyer the wit and wisdom** - Feb 24 2022

web outbursts and with them he has captured all of our hearts the little book of danny dyer is a collection of his most iconic quotes on politics fitness parenting and the important things in life from brexit to philosophising about how we wouldn t be able to eat sandwiches if we didn t have thumbs the little book of danny dyer is

the little book of danny dyer the wit and wisdom of the - Feb 07 2023

web the little book of danny dyer the wit and wisdom of the diamond geezer ebook written by various read this book using google play books app on your pc android ios devices download for

the little book of danny dyer the wit and wisdom of th - Sep 14 2023

web apr 14 2020 the little book of danny dyer is a collection of his most iconic quotes on politics fitness parenting and the important things in life from brexit to philosophising about how we wouldn t be able to eat sandwiches if we didn t have thumbs the little book of danny dyer is the perfect gift for fans of this wise cracking national

**the little book of danny dyer the wit and wisdom of the** - Aug 13 2023

web the little book of danny dyer the wit and wisdom of the diamond geezer various amazon sg books

*the little book of danny dyer the wit and wisdom of the* - Sep 02 2022

web aug 11 2020 the little book of danny dyer the wit and wisdom of the diamond geezer orion publishing group on amazon com free shipping on qualifying offers the little book of danny dyer the wit and wisdom of the diamond geezer

the little book of danny dyer the wit and wisdom of the - Jun 11 2023

web may 30 2019 the little book of danny dyer the wit and wisdom of the diamond geezer ebook various amazon co uk books

*buy the little book of danny dyer the wit and wisdom of the* - Mar 28 2022

web buy the little book of danny dyer the wit and wisdom of the diamond geezer hardcover book by orion p group from as low

as 6 14 buy 3 get 1 free our best sale yet

*the little book of danny dyer bookshare* - Oct 03 2022

web may 30 2019 the little book of danny dyer is a collection of his most iconic quotes on politics fitness parenting and the important things in life from brexit to philosophising about how we wouldn t be able to eat sandwiches if we didn t have thumbs the little book of danny dyer is the perfect gift for fans of this wise cracking national

[the little book of danny dyer the wit and wisdom of the](#) - Mar 08 2023

web the little book of danny dyer is a collection of his most iconic quotes on politics fitness parenting and the important things in life from brexit to philosophising about how we wouldn t be able to eat sandwiches if we didn t have thumbs the little book of danny dyer is the perfect gift for fans of this wise cracking national treasure

**9781409192930 the little book of danny dyer the wit and wisdom** - Jan 06 2023

web the little book of danny dyer is a collection of his most iconic quotes on politics fitness parenting and the important things in life from brexit to philosophising about how we wouldn t be able to eat sandwiches if we didn t have thumbs the little book of danny dyer is the perfect gift for fans of this wise cracking national treasure

**the wit and the wisdom of danny dyer the telegraph** - Apr 28 2022

web nov 5 2015 the wit and the wisdom of danny dyer as the east ender releases his second book we take a look at some of the insightful comedic and controversial dyerisms contained within its pages

**the little book of danny dyer the wit and wisdom of the** - Dec 05 2022

web the little book of danny dyer the wit and wisdom of the diamond geezer ebook various amazon in kindle store

**the little book of danny dyer the wit and wisdom of the** - Aug 01 2022

web the little book of danny dyer the wit and wisdom of the diamond geezer various on amazon com au free shipping on eligible orders the little book of danny dyer the wit and wisdom of the diamond geezer

**the little book of danny dyer the wit and wisdom of the** - Apr 09 2023

web may 30 2019 if the body is a temple at the moment mine s a windowless shed danny dyer actor and descendant of william the conqueror is the nation s

*the little book of danny dyer the wit and wisdom of the* - Jul 12 2023

web may 30 2019 the little book of danny dyer the wit and wisdom of the diamond geezer various amazon co uk books

**the little book of danny dyer the wit and wisdom of the** - Oct 15 2023

web may 28 2019 the little book of danny dyer is a collection of his most iconic quotes on politics fitness parenting and the important things in life from brexit to philosophising about how we wouldn t be able to eat sandwiches if we didn t have thumbs the little book of danny dyer is the perfect gift for fans of this wise cracking

**the little book of danny dyer the wit and wisdom of the** - Jun 30 2022

web if the body is a temple at the moment mine s a windowless shed danny dyer actor and descendant of william the conqueror is the nation s favourite geezer well known for his cutting one liners and amusing outbursts and with them he has captured all of our hearts the little book of danny dyer is a collection of his most iconic quotes on

**the little book of danny dyer the wit and wisdom of the** - May 10 2023

web the little book of danny dyer is a collection of his most iconic quotes on politics fitness parenting and the important things in life from brexit to philosophising about how we wouldn t be able to eat sandwiches if we didn t have thumbs the little book of danny dyer is the perfect gift for fans of this wise cracking national treasure

**the little book of danny dyer the wit and wisdom of the** - Nov 04 2022

web may 30 2019 amazon com the little book of danny dyer the wit and wisdom of the diamond geezer ebook various kindle store

**the little book of danny dyer the wit and wisdom of the** - May 30 2022

web buy the little book of danny dyer the wit and wisdom of the diamond geezer by various online on amazon ae at best prices fast and free shipping free returns cash on delivery available on eligible purchase

**canine nutrition happy dog training** - Sep 21 2022

web this book is a comprehensive study of specialized nutritional needs that vary from breed to breed this book will show dog owners why dogs taken out of their natural habitat and fed a diet containing food sources unsuitable for their

**dog nutrition essential nutrients for health and feeding basics webmd** - Jun 18 2022

web aug 20 2013 essential nutrients proteins body tissues are made of proteins your dog s body makes only 13 of the 23 amino acids that are the building blocks of proteins the other 10 have to come from

**disease management nutritional american animal hospital** - Dec 25 2022

web disease management nutritional changes to nutrition may be useful in the management of disease for the senior dog or cat and have been used for conditions such as hyperthyroidism chronic kidney disease osteoarthritis and diabetes mellitus

**msd veterinary manual** - Oct 03 2023

web may 10 2022 the msd veterinary manual has been a trusted source of animal health information for students and practicing veterinarians it contains authoritative guidelines for the diagnosis treatment and prevention of animal disorders and diseases

**nutritional reference manual tcvet net** - May 30 2023

web transitioning to the right food at each lifestage typically at ages 1 5 large breed and 7 helps meet the changes associated with aging for puppies and kittens switch to adult food at about 10 12 months typically after the spay neuter surgery when

compared to adult pets puppies and kittens require a food with

**aaha nutritional assessment guidelines for dogs and cats** - Sep 02 2023

web awareness of the importance of nutritional assessment of dogs and cats guidelines for nutritional evaluation of animals to promote optimal health and response to disease evidence and tools to support recommendations the positive impact of proper nutrition on health and disease is well established in all animals

*resource center aaha american animal hospital association* - Jan 26 2023

web 2021 aaha nutrition and weight management guidelines for dogs and cats download the full pdf of the written guidelines including figures tables and references 5 pet nutrition myths get the true facts to correct misinformation about grains high quality protein sources and allergens in pet foods food and skin allergies grains and nutrients

**pet nutrition diploma bonus pet first aid manual udemy** - Mar 16 2022

web pet nutrition diploma bonus pet first aid manual a complete guide to raw feeding and home cooking for our dogs and cats 3 9 99 ratings 516 students created by nicole agius last updated 6 2022 english what you ll learn benefits of raw feeding for dogs and cats benefits of home cooking for pets different types of raw barf pmr

dog feeding guide all about dog food - May 18 2022

web dog food nutrients all dogs need a wide range of nutrients to live a healthy life these range from the macro nutrients like protein and fat which dogs need in large quantities to micro nutrients like vitamins and minerals which are needed in much smaller amounts but are just as crucial to a dogs health

**veterinary practice guidelines 2021 aaha nutrition** - Feb 24 2023

web nutritional assessment of canine and feline patients should be performed on a regular basis throughout all pet life stages ideally at each exam visit with that goal in mind the objectives of these guidelines are to describe how to perform an individualized breed specific evidence guided nutritional assessment for canine and feline patients

a guide to the principles of animal nutrition open educational - Aug 21 2022

web animal nutrition deals with the nutritional needs of food producing companion or service animals it is the science of preparation or formulation of feed for animals that produce food e g meat milk or nonfood materials e g wool animal nutrition also is an integrative science as it deals with the different

**2008 handbook of general animal nutrition pdf academia edu** - Apr 16 2022

web animal nutrition manual dr atiq ullah khan marwat download free pdf view pdf studies on halophytic forages as sheep fodder under arid and semi arid conditions in egypt ibrahim khattab the subject matter of farm animal nutrition is covered in a large number of text books most are referred to in the entries of this encyclopedia

**nutrition in zoo carnivores msd veterinary manual** - Feb 12 2022

web polar and kodiak bears do well on a diet of 25 frozen canine diet 25 fish eg smelt 15 dry dog food 15 omnivore biscuits 10 bread and 10 apples although they do also well if no omnivore biscuits and bread are fed commercial diets formulated especially for polar bears are available

**bsava guide to nutrition bsava library** - Apr 28 2023

web buy online version edited by marge chandler and alexander j german author georgia woods lee format pdf and html publication date october 2023 e book isbn 978 1 910443 82 8 overview chapters 16 veterinary professionals are often called upon to provide guidance on appropriate nutrition for animals under their care

*an owner s manual for puppy food nutrition american* - Oct 23 2022

web puppy food nutrition an owner s manual for puppy food nutrition by the american kennel club about this series at the akc we know better than anyone that your dog can t be treated

calculators calories calculator merck veterinary manual - Jul 20 2022

web for example canine influenza the merck veterinary manual was first published in 1955 as a service to the community the legacy of this great resource continues as the merck veterinary manual in the us and canada and the msd vet manual outside of north america about

*your dog s nutritional needs the national academies* - Nov 23 2022

web your dog s nutritional needs a science based guide for pet owners the digestive tract point of departure the mechanical breakdown of food begins in the mouth where food is ingested chewed and swallowed esophagus automatic the esophagus muscular tube involuntary wavelike tractions and relaxations propel food

*2021 aaha nutrition and weight management guidelines* - Aug 01 2023

web the guidelines discuss the components of a systematic approach to nutritional management of dogs and cats a nutritional assessment including a body condition score and muscle condition score is a screening evaluation that should ideally be performed at every examination individualized nutritional recommendations based on the

**nutrition general feeding guidelines for dogs vca** - Mar 28 2023

web the six basic nutrients are water proteins fats carbohydrates minerals and vitamins these essential nutrients are required as part of the dog s regular diet and are involved in all of the basic functions of the body the minimum dietary requirement has been established for many nutrients

overview of management and nutrition in animals msd veterinary manual - Jun 30 2023

web for more information also see pet health content regarding dietary and housing considerations for dogs cats and horses learn about the veterinary topic of overview of management and nutrition in animals find specific details on this topic and related topics from the msd vet manual

