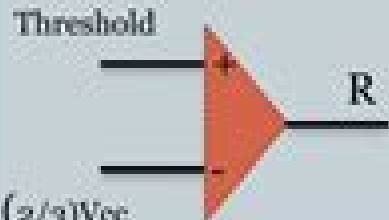
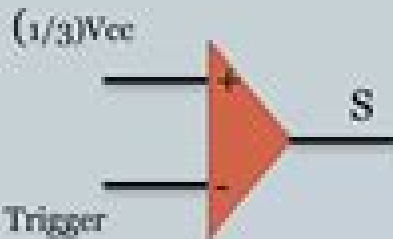


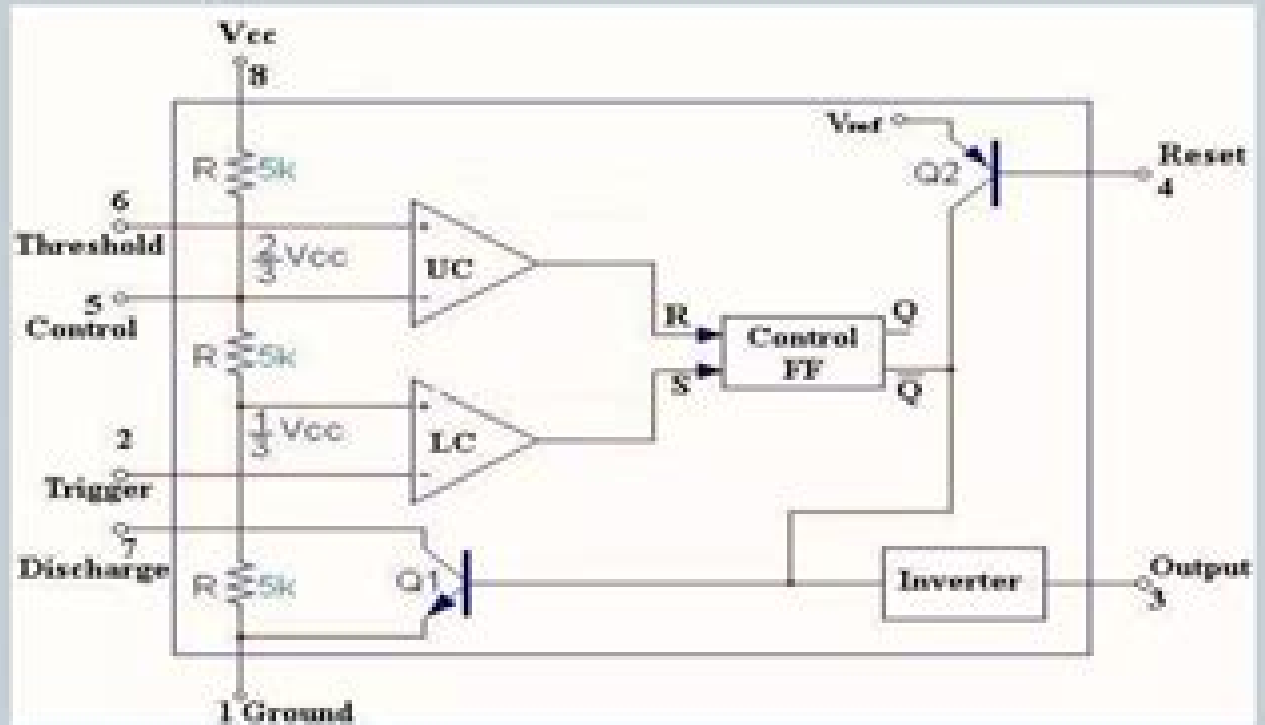
Functional diagram of 555 timer



Threshold $>$ $(2/3)V_{cc} \Rightarrow R = \text{logic '1'}$
Threshold $<$ $(2/3)V_{cc} \Rightarrow R = \text{logic '0'}$



Trigger $<$ $(1/3)V_{cc} \Rightarrow S = \text{logic '1'}$
Trigger $>$ $(1/3)V_{cc} \Rightarrow S = \text{logic '0'}$



555 Timer And Its Applications

Hongru Du



555 Timer And Its Applications:

Thank you unconditionally much for downloading **555 Timer And Its Applications**. Most likely you have knowledge that, people have look numerous period for their favorite books considering this 555 Timer And Its Applications, but stop in the works in harmful downloads.

Rather than enjoying a good PDF taking into account a mug of coffee in the afternoon, on the other hand they juggled similar to some harmful virus inside their computer. **555 Timer And Its Applications** is within reach in our digital library an online entrance to it is set as public fittingly you can download it instantly. Our digital library saves in complex countries, allowing you to acquire the most less latency time to download any of our books with this one. Merely said, the 555 Timer And Its Applications is universally compatible considering any devices to read.

<https://py.bijouxmedusa.com/About/uploaded-files/default.aspx/business%20class%20laser%20fax%20super%20g3%20manuals%20download.pdf>

Table of Contents 555 Timer And Its Applications

1. Understanding the eBook 555 Timer And Its Applications
 - The Rise of Digital Reading 555 Timer And Its Applications
 - Advantages of eBooks Over Traditional Books
2. Identifying 555 Timer And Its Applications
 - Exploring Different Genres
 - Considering Fiction vs. Non-Fiction
 - Determining Your Reading Goals
3. Choosing the Right eBook Platform
 - Popular eBook Platforms
 - Features to Look for in an 555 Timer And Its Applications
 - User-Friendly Interface
4. Exploring eBook Recommendations from 555 Timer And Its Applications
 - Personalized Recommendations

- 555 Timer And Its Applications User Reviews and Ratings
- 555 Timer And Its Applications and Bestseller Lists
- 5. Accessing 555 Timer And Its Applications Free and Paid eBooks
 - 555 Timer And Its Applications Public Domain eBooks
 - 555 Timer And Its Applications eBook Subscription Services
 - 555 Timer And Its Applications Budget-Friendly Options
- 6. Navigating 555 Timer And Its Applications eBook Formats
 - ePub, PDF, MOBI, and More
 - 555 Timer And Its Applications Compatibility with Devices
 - 555 Timer And Its Applications Enhanced eBook Features
- 7. Enhancing Your Reading Experience
 - Adjustable Fonts and Text Sizes of 555 Timer And Its Applications
 - Highlighting and Note-Taking 555 Timer And Its Applications
 - Interactive Elements 555 Timer And Its Applications
- 8. Staying Engaged with 555 Timer And Its Applications
 - Joining Online Reading Communities
 - Participating in Virtual Book Clubs
 - Following Authors and Publishers 555 Timer And Its Applications
- 9. Balancing eBooks and Physical Books 555 Timer And Its Applications
 - Benefits of a Digital Library
 - Creating a Diverse Reading Collection 555 Timer And Its Applications
- 10. Overcoming Reading Challenges
 - Dealing with Digital Eye Strain
 - Minimizing Distractions
 - Managing Screen Time
- 11. Cultivating a Reading Routine 555 Timer And Its Applications
 - Setting Reading Goals 555 Timer And Its Applications
 - Carving Out Dedicated Reading Time
- 12. Sourcing Reliable Information of 555 Timer And Its Applications
 - Fact-Checking eBook Content of 555 Timer And Its Applications

- Distinguishing Credible Sources
- 13. Promoting Lifelong Learning
 - Utilizing eBooks for Skill Development
 - Exploring Educational eBooks
- 14. Embracing eBook Trends
 - Integration of Multimedia Elements
 - Interactive and Gamified eBooks

555 Timer And Its Applications Introduction

In the digital age, access to information has become easier than ever before. The ability to download 555 Timer And Its Applications has revolutionized the way we consume written content. Whether you are a student looking for course material, an avid reader searching for your next favorite book, or a professional seeking research papers, the option to download 555 Timer And Its Applications has opened up a world of possibilities. Downloading 555 Timer And Its Applications provides numerous advantages over physical copies of books and documents. Firstly, it is incredibly convenient. Gone are the days of carrying around heavy textbooks or bulky folders filled with papers. With the click of a button, you can gain immediate access to valuable resources on any device. This convenience allows for efficient studying, researching, and reading on the go. Moreover, the cost-effective nature of downloading 555 Timer And Its Applications has democratized knowledge. Traditional books and academic journals can be expensive, making it difficult for individuals with limited financial resources to access information. By offering free PDF downloads, publishers and authors are enabling a wider audience to benefit from their work. This inclusivity promotes equal opportunities for learning and personal growth. There are numerous websites and platforms where individuals can download 555 Timer And Its Applications. These websites range from academic databases offering research papers and journals to online libraries with an expansive collection of books from various genres. Many authors and publishers also upload their work to specific websites, granting readers access to their content without any charge. These platforms not only provide access to existing literature but also serve as an excellent platform for undiscovered authors to share their work with the world. However, it is essential to be cautious while downloading 555 Timer And Its Applications. Some websites may offer pirated or illegally obtained copies of copyrighted material. Engaging in such activities not only violates copyright laws but also undermines the efforts of authors, publishers, and researchers. To ensure ethical downloading, it is advisable to utilize reputable websites that prioritize the legal distribution of content. When downloading 555 Timer And Its Applications, users should also consider the potential security risks associated with online platforms. Malicious actors may exploit vulnerabilities in unprotected websites to distribute malware or steal personal

information. To protect themselves, individuals should ensure their devices have reliable antivirus software installed and validate the legitimacy of the websites they are downloading from. In conclusion, the ability to download 555 Timer And Its Applications has transformed the way we access information. With the convenience, cost-effectiveness, and accessibility it offers, free PDF downloads have become a popular choice for students, researchers, and book lovers worldwide. However, it is crucial to engage in ethical downloading practices and prioritize personal security when utilizing online platforms. By doing so, individuals can make the most of the vast array of free PDF resources available and embark on a journey of continuous learning and intellectual growth.

FAQs About 555 Timer And Its Applications Books

How do I know which eBook platform is the best for me? Finding the best eBook platform depends on your reading preferences and device compatibility. Research different platforms, read user reviews, and explore their features before making a choice. Are free eBooks of good quality? Yes, many reputable platforms offer high-quality free eBooks, including classics and public domain works. However, make sure to verify the source to ensure the eBook credibility. Can I read eBooks without an eReader? Absolutely! Most eBook platforms offer web-based readers or mobile apps that allow you to read eBooks on your computer, tablet, or smartphone. How do I avoid digital eye strain while reading eBooks? To prevent digital eye strain, take regular breaks, adjust the font size and background color, and ensure proper lighting while reading eBooks. What the advantage of interactive eBooks? Interactive eBooks incorporate multimedia elements, quizzes, and activities, enhancing the reader engagement and providing a more immersive learning experience. 555 Timer And Its Applications is one of the best book in our library for free trial. We provide copy of 555 Timer And Its Applications in digital format, so the resources that you find are reliable. There are also many Ebooks of related with 555 Timer And Its Applications. Where to download 555 Timer And Its Applications online for free? Are you looking for 555 Timer And Its Applications PDF? This is definitely going to save you time and cash in something you should think about.

Find 555 Timer And Its Applications :

business class laser fax super g3 manuals download

bristol keir surgical

building economics for architects

brain rules updated and expanded

[bordas livre du professeur svt 1ere sdocuments2](#)

[boylestad circuit analysis](#)

[buoyancy problems and solutions](#)

business government and society a managerial

[business communication today 12th edition pdf](#)

[budgie breeding](#)

boy scouts handbook 12th edition

boris beizer software testing techniques 2nd edition dreamtech 2009 pdf

[building act guide series section a1 understanding b c s](#)

[boss rv 3 manual](#)

~~[built to sell creating a business that can thrive without you](#)~~

555 Timer And Its Applications :

a photographic guide to birds of australia booktopia - Sep 22 2023

web jun 26 1995 product details compact easy to use format the ideal pocket size travelling companion authoritative text describing key identification features full colour photographs illustrating each of the 251 species thumbnail outlines of each family group enabling quick identification about the author

a naturalist s guide to the birds of australia - Dec 13 2022

web a photographic identification guide to 280 bird species in australia including the most commonly seen and rare endemic species perfect for resident and visitor alike high quality photographs from one of australia s top nature photographers are accompanied by detailed species descriptions which include nomenclature

birds of australia a photographic guide worldcat org - Oct 11 2022

web summary birds of australia covers all 714 species of resident birds and regularly occurring migrants and features more than 1 100 stunning color photographs including many photos of subspecies and plumage variations never before seen in a field guide detailed facing page species accounts describe key identification features such as size

birds of australia photographic field guide booktopia - May 06 2022

web oct 1 2002 birds of australia photographic field guide 2nd edition by jim flegg 9781876334789 booktopia booktopia has birds of australia photographic field guide 2nd edition by jim flegg buy a discounted paperback of birds of australia photographic field guide online from australia s leading online bookstore

birds of australia free download borrow and streaming - Jun 07 2022

web introduction how to use this book codes used in this book how to observe a bird parts of a bird s body believing your eyes key to families field information vagrant bird bulletin where the birds live vegetation and landform habitats of australia
birds of australia a photographic guide ebook by iain campbell - Jan 14 2023

web nov 9 2014 covers all 714 species of resident birds and regularly occurring migrants features more than 1 100 stunning color photos includes facing page species accounts habitat descriptions and distribution maps the ideal photographic guide for beginners and seasoned birders alike

a photographic guide to birds of australia new holland - Aug 21 2023

web peter rowland peter rowland is author of the photographic guide to birds of australia and the green guide to birds of australia and has contributed written and photographic material to many other wildlife books magazines and scientific journals

a photographic guide to birds of australia amazon com - Aug 09 2022

web jan 1 1998 this book poses questions and answers about common australian birds includes behavioural insights action photography and answers to all your questions about the bird life of australia

birds of australia a photographic guide by iain campbell - Jul 20 2023

web jan 19 2015 covers all 714 species of resident birds and regularly occurring migrants features more than 1 100 stunning colour photos includes facing page species accounts habitat descriptions and distribution maps the ideal photographic guide for beginners and seasoned birders alike

beginner s guide to bird photography snapshot - Apr 05 2022

web aug 5 2020 make sure that the bird s eyes are in sharp focus eos r6 rf70 200mm f 2 8l is usm fl 147mm manual exposure f 2 8 1 800 sec iso 400 bird photography is like portrait photography it is crucial for the eyes to be sharp especially for head shots like this one use a narrower aperture where necessary

[birds of australia a photographic guide by campbell iain amazon com au](#) - Jun 19 2023

web covers all 714 species of resident birds and regularly occurring migrants features more than 1 100 stunning colour photos includes facing page species accounts habitat descriptions and distribution maps the ideal photographic guide for beginners and seasoned birders alike

birds of australia a photographic guide bto british trust for - Mar 16 2023

web if you prefer a photographic format as your field guide over an illustrated one then this is the book you should choose for australia containing superb photographs of all 714 resident and regularly occurring migrant birds the birds are shown in over 1 100 good colour photographs typically with 5 6 photos per page

birds of australia a photographic guide goodreads - Nov 12 2022

web the best photographic field guide to australia s birds australia is home to a spectacular diversity of birdlife from parrots and penguins to emus and vibrant passerines birds of australia covers all 714 species of resident birds and regularly occurring migrants and features more than 1 100 stunning color photographs including many photos of

a photographic guide to birds of australia photog rob hume - Mar 04 2022

web merely said the a photographic guide to birds of australia photog is universally compatible with any devices to read the complete photographic guide to southern african birds burger cillié 2021 05 06 the most comprehensive and up to date photographic guide to southern african birds with over 5 000 photographs covering

birds of australia a photographic guide birdguides - Sep 10 2022

web birds of australia a photographic guide author s iain campbell sam woods nick leseberg publisher princeton university press year 2014 format paperback pages 392 isbn 13 9780691157276 rrp 27 00 this new title covers all 714 species of resident birds as well as regularly occurring migrants read full description our price 24 99

birds of australia a photographic guide google books - Oct 23 2023

web nov 9 2014 iain campbell sam woods nick leseberg princeton university press nov 9 2014 nature 392

birds of australia a photographic guide on jstor - Feb 15 2023

web the text relies on the very latest ioc taxonomy and the distribution maps incorporate the most current mapping data making this the most up to date guide to australian birds covers all 714 species of resident birds and regularly occurring migrants features more than 1 100 stunning color photos includes facing page species accounts habitat

birds of australia a photographic guide request pdf - Jul 08 2022

web jan 1 2015 first published in 1994 the complete guide to finding the birds of australia was the first ever book of its type in australia a complete guide to locating every resident bird species in

[gale ebooks birds of australia a photographic guide](#) - Apr 17 2023

web this book covers all 714 species of resident birds and regularly occurring migrants and features more than 1 100 stunning color photographs including many photos of subspecies and plumage variations never before seen in a field guide

birds of australia a photographic guide amazon com - May 18 2023

web nov 9 2014 the best photographic field guide to australia s birds australia is home to a spectacular diversity of birdlife from parrots and penguins to emus and vibrant passerines birds of australia covers all 714 species of resident birds and regularly occurring migrants and features more than 1 100 stunning color photographs including many

the herbalist s daughter smicksburg amish herb shop series - Mar 10 2023

web paperback 23 66 11 new from 18 92 cassia byler is a twenty two year old amish beauty that has the small town of smicksburg pennsylvania baffled she appears to be content not to court any man only desiring to work alongside her dad in

his herb shop

buy the herbalist s daughter trilogy 1 amish herb shop book - Jul 02 2022

web amazon in buy the herbalist s daughter trilogy 1 amish herb shop book online at best prices in india on amazon in read the herbalist s daughter trilogy 1 amish herb shop book reviews author details and more at

smicksburg amish herb shop series by karen anna vogel goodreads - Jun 13 2023

web book 1 the herbalist s daughter trilogy by karen anna vogel 4 23 83 ratings 7 reviews published 2014 3 editions cassia byler is a twenty two year old amish beauty want to read rate it book 2 the herbalist s son trilogy by karen anna vogel 4 42 50 ratings 1 reviews 2 editions the herbalist s daughter trilogy told the story of

the herbalist s daughter trilogy volume 1 amish herb shop - Dec 07 2022

web buy the herbalist s daughter trilogy volume 1 amish herb shop 1 by vogel karen anna isbn 9780692303825 from amazon s book store everyday low prices and free delivery on eligible orders the herbalist s daughter trilogy volume 1 amish herb shop amazon co uk vogel karen anna 9780692303825 books

the herbalist s daughter trilogy smicksburg amish herb - Aug 15 2023

web sep 28 2014 the herbalist s daughter trilogy karen anna vogel 4 26 93 ratings 7 reviews cassia byler is a twenty two year old amish beauty that has the small town of smicksburg pennsylvania baffled she appears to be content not to court any man only desiring to work alongside her dad in his herb shop

the herbalist s daughter smicksburg amish herb shop series - Apr 30 2022

web achetez et téléchargez ebook the herbalist s daughter smicksburg amish herb shop series part 1 english edition boutique kindle christian living amazon fr

amazon com customer reviews the herbalist 39 s daughter smicksburg - Jan 08 2023

web find helpful customer reviews and review ratings for the herbalist s daughter smicksburg amish herb shop series part 1 at amazon com read honest and unbiased product reviews from our users

the herbalist s son trilogy smicksburg amish herb shop - Feb 26 2022

web apr 30 2018 the herbalist s son trilogy smicksburg amish herb shop paperback april 30 2018 by karen anna vogel author 38 ratings book 2 of 2 amish herb shop

the herbalist s daughter smicksburg amish herb shop series - Mar 30 2022

web lee ahora en digital con la aplicación gratuita kindle

[the herbalist s daughter 1 amish herb shop 1 goodreads](#) - Oct 05 2022

web may 28 2014 this book is dedicated in loving memory of a real amish herbalist in smicksburg pa who many simply called dr dan this book tries to capture the care dan gave to patients who drove many miles desperate for a cure to their

ailment to find compassionate care and an acute mind for medicine

the herbalist s daughter trilogy amish herb shop - May 12 2023

web sep 28 2014 can she leave the amish and the herb shop and her dad the herbalist s daughter takes you on a journey with cassia byler as she goes from a selfish impulsive young woman to a valley of testing and trials

the herbalist s daughter smicksburg amish herb shop series - Jul 14 2023

web oct 5 2014 paperback 7 95 1 used from 17 13 7 new from 7 95 cassia byler is a twenty two year old amish beauty that has the small town of smicksburg pennsylvania baffled she appears to be content not to court any man only desiring to work alongside her dad in his herb shop

the herbalist s daughter smicksburg amish herb shop series - Feb 09 2023

web the herbalist s daughter smicksburg amish herb shop series part 1 ebook vogel karen anna amazon ca kindle store

amazon com customer reviews the herbalist 39 s son smicksburg - Jan 28 2022

web find helpful customer reviews and review ratings for the herbalist s son smicksburg amish herb shop series part 2 at amazon com read honest and unbiased product reviews from our users

the herbalist s daughter smicksburg amish herb shop series - Aug 03 2022

web the herbalist s daughter smicksburg amish herb shop series part 1 english edition ebook vogel karen anna amazon de kindle shop

the herbalist s daughter smicksburg amish herb shop series - Jun 01 2022

web the herbalist s daughter smicksburg amish herb shop series part 1 english edition ebook vogel karen anna amazon it kindle store

the herbalist s daughter trilogy smicksburg amish herb shop - Sep 04 2022

web search engine of shadow libraries books papers comics magazines z library library genesis sci hub fully resilient through open source code and data spread the word everyone is welcome here

the herbalist s daughter trilogy smicksburg amish - Dec 27 2021

web 2 the herbalist s daughter trilogy smicksburg amish 2022 02 02 themes in cowhig s body of work a summary discussion between cowhig chambers letson and mok on cowhig s process and the political and aesthetic currents animating her work

amish herb shop 2 book series kindle edition amazon com - Apr 11 2023

web the herbalist s daughter trilogy told the story of cassia byler but now two years later we pick up with her younger brother willow this 3 part series will include a discussion guide at the end of each book as we journey with reed byler s son through feelings of low self worth timidity and doubts about his amish faith

the herbalist s daughter trilogy amish herb shop abebooks - Nov 06 2022

web abebooks com the herbalist s daughter trilogy amish herb shop 9780692303825 by vogel karen anna and a great selection of similar new used and collectible books available now at great prices the herbalist s daughter trilogy amish herb shop vogel karen anna 9780692303825 abebooks

stream the fame by ladygaga listen online for free on soundcloud - Sep 27 2022

web love u gaga 2018 09 15t10 13 54z comment by jeff decora one more love heart for gaga 2018 09 04t13 11 12z comment by matthewbgoode thanks gaga for making me feel like a fabulous beautiful bitch in high school with this song 2018 06 15t06 09 56z comment by brian smith wow 2018 03 04t21 18 33z comment by sepehr yaqoobi s

the fame album by lady gaga apple music - Feb 01 2023

web aug 19 2008 the fame introduced the world to one of the 21st century s most captivating divas with their stomping club beats and soaring synth hooks tracks like just dance and poker face will make you want to hit the dance floor immediately but gaga also shakes things up with eccentric cuts like the piano driven electro banger paper

who is carly waddell the bachelor alum spills lady gaga s - Aug 15 2021

web 2 days ago lady gaga s piano lessons paid off with 34 grammy nominations and 13 wins in 2008 gaga revealed the fame her first album after that she became one of the a list singers

the fame youtube - Aug 07 2023

web jul 31 2018 provided to youtube by universal music group the fame lady gaga the fame an interscope records release 2008 umg recordings inc released on 2008 01 01 producer robert orton composer

lady gaga wiki - Dec 19 2021

web gaga 2009 da the fame ball tour da sahnede 2008 de gaga ilk stüdyo albümü üzerinde çalışmak için los angeles a taşındı ve andy warhol un factory sine benzeyen haus of gaga adlı kendi yaratıcı ekibini kurdu gaga nın ilk stüdyo albümü the fame 19 ağustos 2008 de

the fame youtube music - Mar 02 2023

web new recommendations 0 00 0 00 provided to youtube by universal music group the fame lady gaga the fame an interscope records release 2008 umg recordings inc released on 2008

the fame eras lady gaga official shop - Nov 17 2021

web the fame the fame monster born this way artpop joanne chromatica love for sale top gun

the fame wikipedia - Oct 09 2023

web the fame is the debut studio album by american singer lady gaga it was released on august 19 2008 by interscope records after joining konlive distribution and cherrytree records in 2008 gaga began working on the album with different producers primarily redone martin kierszenbaum and rob fusari

lady gaga the fame lyrics and tracklist genius - Jul 06 2023

web aug 19 2008 about the fame the fame is the debut studio album by lady gaga released on august 19th 2008 the first two singles released just dance and poker face were highly

the fame at 15 honoring lady gaga s first and most luxurious - Feb 18 2022

web aug 21 2023 15 years ago lady gaga released her debut album the fame we re looking back on how the record came to define the pop icon s career

lady gaga wikipedia - Mar 22 2022

web stefani joanne angelina germanotta 'stɛfəni ˌdʒɜːrməˈnɒtə stef ən ee jur mə not ə born march 28 1986 known professionally as lady gaga is an american singer songwriter and actress she is known for her image reinventions and versatility in the entertainment industry

lady gaga the fame youtube - May 24 2022

web dec 28 2008 lady gaga the famei don t own any of this music i hope you enjoy it lyrics i can t help myself i m addicted to a life of materialit s some kind of joke

fame lady gaga perfume a fragrance for women 2012 fragrantica com - Sep 08 2023

web perfume rating 3 71 out of 5 with 6 359 votes fame by lady gaga is a amber floral fragrance for women fame was launched in 2012 top notes are incense belladonna and saffron middle notes are honey and apricot base notes are orchid and jasmine

the fame wikipedi - Nov 29 2022

web the fame amerikalı şarkıcı lady gaga nın ilk stüdyo albümü 19 ağustos 2008 tarihinde interscope records etiketiyle satışa sunuldu 2008 yılında kon live distribution ve cherrytrees records a katıldıktan sonra gaga başta redone martin kierszenbaum ve rob fusari olmak üzere çeşitli yapımcılarla albüm üzerinde

the fame youtube - Apr 03 2023

web provided to youtube by universal music groupthe fame lady gagathe fame monster an interscope records release 2008 umg recordings inc released on 2009

the fame monster wikipedi - Apr 22 2022

web the fame monster amerikalı şarkıcı lady gaga nın 2008 çıkışlı ilk stüdyo albümü the fame in 18 kasım 2009 da streamline records konlive distribution cherrytrees records ve interscope records tarafından yeniden yayımlanan sürümü

lady gaga the fame official audio youtube - May 04 2023

web oct 10 2022 the fame lady gagathe fame an interscope records release 2008 umg recordings increleased on 2009 11 05producer robert ortoncomposer lyricist lady g

kristin chenoweth responds to bachelor star s lady gaga shade - Oct 17 2021

web published on november 8 2023 contrary to the beliefs of that legendary anti stefani germanotta facebook group lady gaga you will always be famous to kristin chenoweth gaga s former nyu

the fame wikiwand - Oct 29 2022

web the fame is the debut studio album by american singer lady gaga it was released on august 19 2008 by interscope records after joining konlive distribution and cherrytree records in 2008 gaga began working on the album with different producers primarily redone martin kierszenbaum and rob fusari

lady gaga drove college peer carly waddell crazy with her - Sep 15 2021

web 1 day ago lady gaga s musical antics apparently drove college classmate carly waddell up the wall the bachelor alum talked about her time at nyu s tisch school of the arts during a monday episode of the podcast trading secrets hosted by fellow bachelor nation favorite jason tartick waddell waffled for a moment before she began to

lady gaga fame wikipedia - Jun 05 2023

web lady gaga fame is the first fragrance created by american singer lady gaga a unisex fragrance it was released in guggenheim museum and in macy s stores in the united states and a range of different stores in the united kingdom on august 22 2012 and worldwide in september through the singer s haus laboratories label in association with coty

fame by lady gaga reviews perfume facts - Jan 20 2022

web jan 4 2023 fame is a perfume by lady gaga for women and was released in 2012 the scent is sweet fruity it was last marketed by coty more we may earn a commission when you buy from links on our site including the ebay partner network main accords sweet fruity floral synthetic smoky fragrance notes

lady gaga drove bachelor star carly waddell crazy singing at - Jul 14 2021

web 2 days ago lady gaga is one of the world s most popular singers but when she studied musical theater at new york university her classmate carly waddell from bachelor nation was not a fan they

the fame how lady gaga wrote a self fulfilling prophecy - Dec 31 2022

web aug 19 2023 the fame how lady gaga wrote a self fulfilling prophecy lady gaga s debut album the fame remains a masterclass in how to launch a 21st century pop star setting the stage for

lady gaga biography songs oscar facts britannica - Jun 24 2022

web nov 3 2023 lady gaga american singer songwriter and performance artist known for her flamboyant costumes provocative lyrics and strong vocal talents she achieved great popular success with such songs as just dance bad romance and born this way learn more about her life music and career

lady gaga the fame full album youtube - Aug 27 2022

web jun 30 2022 the fame is the first album by the singer lady gaga with the singles just dance poker face eh eh nothing else i can say lovegame paparazzi beautiful
fame perfume gagapedia fandom - Jul 26 2022
web fame is the first perfume released by lady gaga launched in august 2012 the fragrance was revealed in a press release on june 14 2012 the perfume is produced in the haus laboratories in paris