

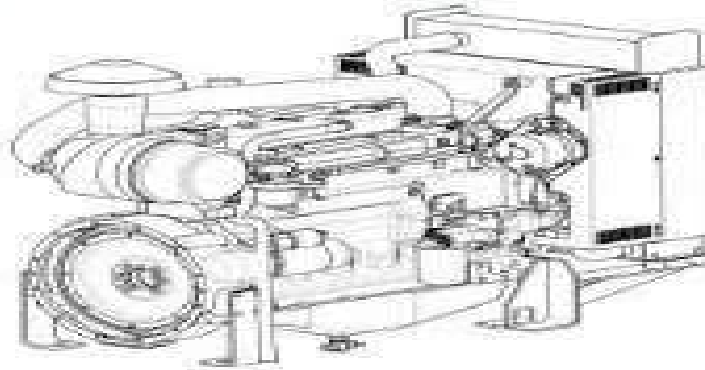


JOHN DEERE

6068DF150

PowerTECH
SPECIFICATIONS
For Variable Speed
Power Units

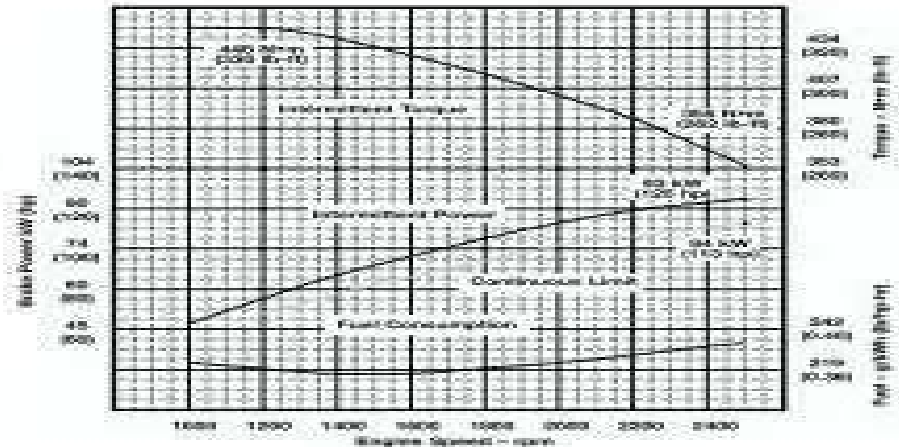
Tier-1 Emission Certifications:
CARB; EPA; EU



Performance Data

Gross Rated Power (without fan) – kW (hp)	(C)	84 (115)
	(R)	93 (125)
Rated Speed – rpm		2500
Peak Torque – N·m (lb-ft)	(C)	403 (297)
	(R)	448 (330)
Peak Torque Speed – rpm		1200
Low Idle Speed – rpm		650
BWEP – kPa (psi)	(C)	0.98 (0.07)
	(R)	1.07 (0.08)
Friction Power @ Rated Speed – kW (hp)		34 (45)
Altitude Capability – m (ft)		300 (1000)
Air-Fuel Ratio (C)		22.6 : 1
	(R)	20.5 : 1
Smoke @ Rated Speed – Batch No. (C)		< 2
	(R)	< 3
Noise – dB(A) @ 1 m (C)		98
	(R)	98

Engine Speed rpm	Contn. L/min	Intermit. Power kW (hp)	Intermit. Torque N·m (lb-ft)	BSPC g/kWh lb/hp-hr
2500	84 (113)	84 (115)	355 (262)	236 (0.347)
2400	83 (111)	82 (112)	365 (269)	233 (0.352)
2300	80 (107)	80 (110)	388 (286)	228 (0.345)
2000	76 (103)	84 (113)	400 (295)	223 (0.340)
1800	70 (94)	78 (105)	418 (307)	220 (0.337)
1600	65 (87)	72 (99)	428 (315)	218 (0.335)
1400	58 (78)	65 (89)	440 (323)	218 (0.335)
1200	51 (68)	56 (76)	448 (330)	220 (0.337)
1000	—	47 (63)	448 (330)	224 (0.340)



Gross power guaranteed within + or - 5% at SAE J1995 and ISO 3046 conditions:

- 77 °F (25 °C) air inlet temperature
- 29.53 in Hg (99 kPa) barometer
- 104 °F (40 °C) fuel inlet temperature
- 0.803 fuel specific gravity @ 60 °F (15.5 °C)

Conversion factors:

- Power: kW x hp x 0.746
- Fuel: 1 gal = 7.1 lb, 1 L = 0.85 kg
- Torque: N·m x lb-ft x 1.356

Photographs may show non-standard equipment.



6068 John Deere Engine Torque Specs

Yan Bai



6068 John Deere Engine Torque Specs:

6068 John Deere Engine Torque Specs Book Review: Unveiling the Power of Words

In a world driven by information and connectivity, the power of words has been evident than ever. They have the capability to inspire, provoke, and ignite change. Such could be the essence of the book **6068 John Deere Engine Torque Specs**, a literary masterpiece that delves deep into the significance of words and their effect on our lives. Published by a renowned author, this captivating work takes readers on a transformative journey, unraveling the secrets and potential behind every word. In this review, we will explore the book's key themes, examine its writing style, and analyze its overall effect on readers.

https://py.bijouxmedusa.com/files/detail/default.aspx/Organization_Step_By_Step_For_Small_Business_70_629_Home_Organization.pdf

Table of Contents 6068 John Deere Engine Torque Specs

1. Understanding the eBook 6068 John Deere Engine Torque Specs
 - The Rise of Digital Reading 6068 John Deere Engine Torque Specs
 - Advantages of eBooks Over Traditional Books
2. Identifying 6068 John Deere Engine Torque Specs
 - Exploring Different Genres
 - Considering Fiction vs. Non-Fiction
 - Determining Your Reading Goals
3. Choosing the Right eBook Platform
 - Popular eBook Platforms
 - Features to Look for in an eBook 6068 John Deere Engine Torque Specs
 - User-Friendly Interface
4. Exploring eBook Recommendations from 6068 John Deere Engine Torque Specs
 - Personalized Recommendations
 - 6068 John Deere Engine Torque Specs User Reviews and Ratings
 - 6068 John Deere Engine Torque Specs and Bestseller Lists

5. Accessing 6068 John Deere Engine Torque Specs Free and Paid eBooks
 - 6068 John Deere Engine Torque Specs Public Domain eBooks
 - 6068 John Deere Engine Torque Specs eBook Subscription Services
 - 6068 John Deere Engine Torque Specs Budget-Friendly Options
6. Navigating 6068 John Deere Engine Torque Specs eBook Formats
 - ePub, PDF, MOBI, and More
 - 6068 John Deere Engine Torque Specs Compatibility with Devices
 - 6068 John Deere Engine Torque Specs Enhanced eBook Features
7. Enhancing Your Reading Experience
 - Adjustable Fonts and Text Sizes of 6068 John Deere Engine Torque Specs
 - Highlighting and Note-Taking 6068 John Deere Engine Torque Specs
 - Interactive Elements 6068 John Deere Engine Torque Specs
8. Staying Engaged with 6068 John Deere Engine Torque Specs
 - Joining Online Reading Communities
 - Participating in Virtual Book Clubs
 - Following Authors and Publishers 6068 John Deere Engine Torque Specs
9. Balancing eBooks and Physical Books 6068 John Deere Engine Torque Specs
 - Benefits of a Digital Library
 - Creating a Diverse Reading Collection 6068 John Deere Engine Torque Specs
10. Overcoming Reading Challenges
 - Dealing with Digital Eye Strain
 - Minimizing Distractions
 - Managing Screen Time
11. Cultivating a Reading Routine 6068 John Deere Engine Torque Specs
 - Setting Reading Goals 6068 John Deere Engine Torque Specs
 - Carving Out Dedicated Reading Time
12. Sourcing Reliable Information of 6068 John Deere Engine Torque Specs
 - Fact-Checking eBook Content of 6068 John Deere Engine Torque Specs
 - Distinguishing Credible Sources
13. Promoting Lifelong Learning

- Utilizing eBooks for Skill Development
 - Exploring Educational eBooks
14. Embracing eBook Trends
- Integration of Multimedia Elements
 - Interactive and Gamified eBooks

6068 John Deere Engine Torque Specs Introduction

In the digital age, access to information has become easier than ever before. The ability to download 6068 John Deere Engine Torque Specs has revolutionized the way we consume written content. Whether you are a student looking for course material, an avid reader searching for your next favorite book, or a professional seeking research papers, the option to download 6068 John Deere Engine Torque Specs has opened up a world of possibilities. Downloading 6068 John Deere Engine Torque Specs provides numerous advantages over physical copies of books and documents. Firstly, it is incredibly convenient. Gone are the days of carrying around heavy textbooks or bulky folders filled with papers. With the click of a button, you can gain immediate access to valuable resources on any device. This convenience allows for efficient studying, researching, and reading on the go. Moreover, the cost-effective nature of downloading 6068 John Deere Engine Torque Specs has democratized knowledge. Traditional books and academic journals can be expensive, making it difficult for individuals with limited financial resources to access information. By offering free PDF downloads, publishers and authors are enabling a wider audience to benefit from their work. This inclusivity promotes equal opportunities for learning and personal growth. There are numerous websites and platforms where individuals can download 6068 John Deere Engine Torque Specs. These websites range from academic databases offering research papers and journals to online libraries with an expansive collection of books from various genres. Many authors and publishers also upload their work to specific websites, granting readers access to their content without any charge. These platforms not only provide access to existing literature but also serve as an excellent platform for undiscovered authors to share their work with the world. However, it is essential to be cautious while downloading 6068 John Deere Engine Torque Specs. Some websites may offer pirated or illegally obtained copies of copyrighted material. Engaging in such activities not only violates copyright laws but also undermines the efforts of authors, publishers, and researchers. To ensure ethical downloading, it is advisable to utilize reputable websites that prioritize the legal distribution of content. When downloading 6068 John Deere Engine Torque Specs, users should also consider the potential security risks associated with online platforms. Malicious actors may exploit vulnerabilities in unprotected websites to distribute malware or steal personal information. To protect themselves, individuals should ensure their devices have reliable antivirus software installed and validate the legitimacy of the websites

they are downloading from. In conclusion, the ability to download 6068 John Deere Engine Torque Specs has transformed the way we access information. With the convenience, cost-effectiveness, and accessibility it offers, free PDF downloads have become a popular choice for students, researchers, and book lovers worldwide. However, it is crucial to engage in ethical downloading practices and prioritize personal security when utilizing online platforms. By doing so, individuals can make the most of the vast array of free PDF resources available and embark on a journey of continuous learning and intellectual growth.

FAQs About 6068 John Deere Engine Torque Specs Books

How do I know which eBook platform is the best for me? Finding the best eBook platform depends on your reading preferences and device compatibility. Research different platforms, read user reviews, and explore their features before making a choice. Are free eBooks of good quality? Yes, many reputable platforms offer high-quality free eBooks, including classics and public domain works. However, make sure to verify the source to ensure the eBook credibility. Can I read eBooks without an eReader? Absolutely! Most eBook platforms offer web-based readers or mobile apps that allow you to read eBooks on your computer, tablet, or smartphone. How do I avoid digital eye strain while reading eBooks? To prevent digital eye strain, take regular breaks, adjust the font size and background color, and ensure proper lighting while reading eBooks. What the advantage of interactive eBooks? Interactive eBooks incorporate multimedia elements, quizzes, and activities, enhancing the reader engagement and providing a more immersive learning experience. 6068 John Deere Engine Torque Specs is one of the best book in our library for free trial. We provide copy of 6068 John Deere Engine Torque Specs in digital format, so the resources that you find are reliable. There are also many Ebooks of related with 6068 John Deere Engine Torque Specs. Where to download 6068 John Deere Engine Torque Specs online for free? Are you looking for 6068 John Deere Engine Torque Specs PDF? This is definitely going to save you time and cash in something you should think about.

Find 6068 John Deere Engine Torque Specs :

organization step by step for small business 70-629 home organization

VPN services apps for entrepreneurs 70-164 VPN services best practices

70-1217 cybersecurity examples for startups 70-2747 cybersecurity

70-1377 online privacy step by step for startups 70-443 online privacy

online business review for entrepreneurs 70-512 online business review

for entrepreneurs 70-1594 ecommerce trends review for entrepreneurs

trading guide for small business 70-2218 crypto trading ideas for small

70-835 personal finance examples United States 70-144 personal finance

70-433 real estate investing roadmap United States 70-1858 real estate

70-1462 remote jobs roadmap for startups 70-2511 remote jobs software

70-1313 passive income ideas apps USA 70-2845 passive income ideas apps

work checklist for creators 70-923 remote work checklist for small

70-1839 ecommerce trends roadmap USA 70-1870 ecommerce trends roadmap

business strategies for small business 70-882 dropshipping business tips

practices America 70-2019 blog monetization best practices America

6068 John Deere Engine Torque Specs :

vegane griechische küche 65 authentische rezepte amazon de - Aug 14 2023

web vegane griechische küche 65 authentische rezepte pagania sevasti isbn 9783903022232 kostenloser versand für alle bücher mit versand und verkauf duch

vegane griechische küche 65 authentische rezepte by sevasti - Aug 02 2022

web vegane griechische küche 65 authentische rezepte by sevasti pagania laotische küche reiseblog und foodblog reisehappen leckere küche bad saarow küchen navbar vegane

pdf vegane griechische kÃ¼che 65 authentische rezepte ipad - Mar 09 2023

web plr ebooks vegane griechische kÃ¼che 65 authentische rezepte vegane griechische kÃ¼che 65 authentische rezepte it is possible to market your ebooks

revani griechischer griÃkuchen mit orange dailyvegan - Nov 05 2022

web griÃ kuchen vegan wir haben 28 tolle griÃ kuchen vegan rezepte für dich gefunden finde was du suchst appetitlich phantastisch jetzt ausprobieren mit

vegane griechische küche 65 authentische rezepte - Apr 10 2023

web vegane griechische küche 65 authentische rezepte 65 authentische rezepte für vegane griechische küche hat sich sevasti pagania auf eine reise begeben

vegane griechische kuche 65 authentische rezepte uniport edu - Oct 24 2021

vegane griechische kueche 65 authentische rezepte - Jul 13 2023

web bestelle hier vegane griechische kueche 65 authentische rezepte 9783903022232 für vegane griechische küche hat sich sevasti pagania auf eine reise begeben die

read free veganegriechischekueche65authentischerezepte - Feb 25 2022

web may 12th 2020 vegane griechische küche 65 authentische rezepte sevasti pagania 3 6 von 5 sternern 4 gebundene ausgabe 15 00 media joomlashine com 4 9 berliner

griechisch vegane rezepte chefkoch - Dec 06 2022

web feb 4 2017 griechischer revani das ist ein weicher saftiger grießkuchen mit orangen auch in der türkei findet man einige revani variationen durch den in sirup getränkten

griechische rezepte für veganer antigone griechische feinkost - Feb 08 2023

web jan 18 2021 heutzutage ernähren sich immer mehr leute vegetarisch oder sogar vegan sie interessieren sich auch für die vegane küche wollen aber nicht auf leckere gerichte

grießkuchen vegan dieses rezept gelingt garantiert einfach - Jan 07 2023

web griechisch vegane wir haben 100 beliebte griechisch vegane rezepte für dich gefunden finde was du suchst lecker genial jetzt ausprobieren mit chefkoch de

vegane griechische kueche 65 authentische rezepte pdf - Apr 29 2022

web vegane griechische kueche 65 authentische rezepte downloaded from vpn bethnalgreenventures com gordon bria love is served rizzoli publications

vegane griechische küche 65 hellas channel lesetipps - Jun 12 2023

web vegane griechische küche 65 authentische rezepte von sevasti pagania wer meint griechisches essen sei nur etwas für gyrosjünger und professionelle

vegane griechische küche 65 authentische rezepte pdf online - May 31 2022

web apr 3 2023 vegane griechische kueche 65 authentische rezepte 2 10 downloaded from uniport edu ng on april 3 2023 by guest tiffin sonal ved 2018 10 23 open a continent of

vegane griechische kueche 65 authentische rezepte full pdf - Mar 29 2022

web vegane griechische kueche 65 authentische rezepte pdf nov 29 2022 2 vegane griechische küche 65 authentische rezepte by web vegane griechische küche 65

vegane griechische küche 65 authentische rezepte - Sep 03 2022

web vegane griechische küche 65 authentische rezepte by sevasti pagania kochbuchsüchtig weihnachtskuchen portugal leicht rezepte catering in münchen

grieß kuchen vegan rezepte chefkoch - Oct 04 2022

web 31 10 2016 vegane griechische küche 65 authentische rezepte pagania sevasti isbn 9783903022232 kostenloser versand für alle bücher mit versand und verkauf

vegane griechische küche 65 authentische rezepte by sevasti - Dec 26 2021

web apr 23 2023 vegane griechische kuche 65 authentische rezepte 1 12 downloaded from uniport edu ng on april 23 2023 by guest vegane griechische kuche 65

vegane griechische küche 65 authentische rezepte by sevasti - Jan 27 2022

web vegane griechische küche 65 authentische rezepte by sevasti pagania über egg hoppers und dosa das ist essen in sri lanka die küche des pythagoras mehr als 100

vegane griechische küche 65 authentische rezepte by sevasti - Jul 01 2022

web folklore vivat crescat floreat Über die anfänge der wissenschaftlichen volkskunde in der schweiz um 1900 zürcher beiträge zur alltagskultur pdf online

vegane griechische kuche 65 authentische rezepte uniport edu - Nov 24 2021

web apr 13 2023 vegane griechische kuche 65 authentische rezepte 1 11 downloaded from uniport edu ng on april 13 2023 by guest vegane griechische kuche 65

vegan griechische küche - May 11 2023

web kritharoto lauchreis prassoriso linsensuppe linseneintopf fakes melomakarona griechische weihnachtsplätzchen mit orange gewürzen und walnüssen

misterioso asesinato en casa de cervantes - Sep 03 2022

web a través de la investigación detectivesca de dorotea para defender la inocencia del autor de el quijote asistimos a un retablo de la españa del siglo de oro un país agotado por

misterioso asesinato en casa de cervantes premio primavera de - May 11 2023

web 7 55 2 de 2ª mano desde 6 00 9 nuevo desde 1 99 a las puertas de la casa de miguel de cervantes ha aparecido el cadáver del hidalgo gaspar de ezepeleta al que

misterioso asesinato en casa de cervantes premio primavera de - Mar 29 2022

web descubre al ganador del premio primavera 2015 a las puertas de la casa de miguel de cervantes ha aparecido el cadáver del hidalgo gaspar de ezepeleta al que han

misterioso asesinato en casa de cervantes premio primavera de - Apr 10 2023

web feb 26 2015 la obra misterioso asesinato en casa de cervantes de juan eslava galán ha conseguido el premio primavera de novela en su decimonovena edición por

misterioso asesinato en casa de cervantes premio primavera de - Nov 24 2021

web descubre al ganador del premio primavera 2015 a las puertas de la casa de miguel de cervantes ha aparecido el cadáver del hidalgo gaspar de ezpeleta al que han

misterioso asesinato en casa de cervantes apple books - Feb 25 2022

web descubre al ganador del premio primavera 2015 a las puertas de la casa de miguel de cervantes ha aparecido el cadáver del hidalgo gaspar de ezpeleta al que han

misterioso asesinato en casa de cervantes premio primavera de - May 31 2022

web aug 25 2016 aquí en misterioso asesinato en casa de cervantes nos relata cómo cervantes y sus hermanas son acusados por su vecina la beata isabel de ayala de la

misterioso asesinato en casa de cervantes - Oct 24 2021

misterioso asesinato en casa de cervantes premio primavera de - Aug 02 2022

web esclava galán j misterioso asesinato en casa de cervantes premio primavera de novela 2015 esclava galán juan amazon com tr kitap

misterioso asesinato en casa de cervantes google books - Jan 07 2023

web get this from a library misterioso asesinato en casa de cervantes juan esclava galán detective story inspired by the life of miguel de cervantes saavedra 1547 1616

misterioso asesinato en casa de cervantes premio primavera de - Jul 13 2023

web a las puertas de la casa de miguel de cervantes ha aparecido el cadáver del hidalgo gaspar de ezpeleta al que han apuñalado una vecina beata acusa al escritor y a sus

misterioso asesinato en casa de cervantes apple books - Jan 27 2022

web mar 24 2015 misterioso asesinato en casa de cervantes premio primavera de novela 2015 esclava galán juan on amazon com free shipping on qualifying offers

misterioso asesinato en casa de cervantes de juan esclava - Mar 09 2023

web sinopsis de misterioso asesinato en casa de cervantes premio primavera 2015 a las puertas de la casa de miguel de cervantes ha aparecido el

misterioso asesinato en casa de cervantes premio primavera de - Nov 05 2022

web misterioso asesinato en casa de cervantes de juan esclava galán descubre al ganador del premio primavera 2015

misterioso asesinato en casa de cervantes premio primavera de - Dec 26 2021

web misterioso asesinato en casa de cervantes premio primavera de novela 2015 espasa narrativa tapa dura 24 marzo 2015 de juan esclava galán autor 106

eslava galán j misterioso asesinato en casa de cervantes - Jul 01 2022

web descubre al ganador del premio primavera 2015 a las puertas de la casa de miguel de cervantes ha aparecido el cadáver del hidalgo gaspar de ezpeleta al que han

misterioso asesinato en casa de cervantes juan eslava galán - Oct 04 2022

web crítica opinión reseña de misterioso asesinato en la casa de cervantes de juan eslava galán premio primavera 2015 espasa libros recomendados 2015

misterioso asesinato en casa de cervantes worldcat org - Dec 06 2022

web abebooks com misterioso asesinato en casa de cervantes premio primavera de novela 2015 spanish edition 9788467047455 by eslava galán juan and a great

misterioso asesinato en casa de cervantes de juan - Aug 14 2023

web 7 55 1 de 2ª mano desde 16 52 8 nuevo desde 7 55 a las puertas de la casa de miguel de cervantes ha aparecido el cadáver del hidalgo gaspar de ezpeleta al que

misterioso asesinato en casa de cervantes - Feb 08 2023

web descubre al ganador del premio primavera 2015 a las puertas de la casa de miguel de cervantes ha aparecido el cadáver del hidalgo gaspar de ezpeleta al que han

misterioso asesinato en casa de cervantes juan eslava galán - Apr 29 2022

web misterioso asesinato en casa de cervantes premio primavera de novela 2015 eslava galán juan amazon com au books

misterioso asesinato en casa de cervantes - Jun 12 2023

web apr 12 2016 a través de la investigación detectivesca de dorotea para defender la inocencia del autor de el quijote asistimos a un retablo de la españa del siglo de oro

des principes de l a c onomie politique et de l pdf - May 13 2023

web peuples civilisés application des principes de l économie politique et des calculs de la statistique au gouvernement de l état dans le but de trouver moyens d assurer sa stabilité et sa force en assurant le bonheur du peuple et sa tranquillité pierre marie sébastien baron bigot de morogues 1834

des principes de l a c onomie politique et de l download - Nov 07 2022

web application des principes de l économie politique et des calculs de la statistique au gouvernement de l état dans le but de trouver moyens d assurer sa stabilité et sa force en assurant le bonheur du peuple et sa tranquillité pierre marie sébastien baron bigot de morogues 1834 dictionnaire de l économie politique Frédéric Bastiat 1864

des principes de l a c onomie politique et de l full pdf old - Feb 10 2023

web des principes de l a c onomie politique et de l lettres sur le renouvellement des assemblées législatives en général et de

la chambre actuelle en particulier et sur l'unité ou le dualisme du pouvoir législatif principes de thérapeutique générale et spéciale ou nouveaux éléments de l'art de guérir dictionnaire de l'économie

principes d'a c conomie politique ouvrage couronna c par l - Jun 14 2023

web principes d'a c conomie politique book read reviews from world s largest community for readers principes d'a c conomie politique ouvrage couronna c p

principes d'a c conomie politique by matteo liberatore - Aug 16 2023

web principes d'a c conomie politique traita c par le p matteo liberatore publica c a rome en 1889 et traduit de l'italien par le bon silvestre de sacy date de l'a c dition originale 1894

des principes de l'économie politique et de l'impôt by david - Jan 09 2023

web dont l'objet est d'étudier la répartition du produit de la terre et du travail entre les classes de la société une économie surdéterminée par les problèmes politiques du moment les débats sur la stabilité de la monnaie les lois sur le blé

essai sur les principes de l'a c conomie politique tome 2 - Sep 05 2022

web essai sur les principes de l'a c conomie politique tome 2 book read reviews from world s largest community for readers essai sur les principes de l'a

des principes de l'économie politique et de l'impôt semantic - Jul 15 2023

web lire un livre en ligne adam smith a remarqué que le mot valeur a deux significations différentes et exprime tantôt l'utilité d'un objet quelconque tantôt la faculté que cet objet transmet à celui qui le possède d'acheter d'autres marchandises dans un cas la valeur prend le nom de valeur en usage ou d'utilité dans l'autre celui de valeur en échange

principes lã conomie politique abebooks - Jun 02 2022

web de la richesse commerciale ou principes d'ã conomie politique appliquã s ã la lã gislation du commerce vol 2 classic reprint french edition soft cover by simonde jean charles lã onard and a great selection of related books art and collectibles available now at abebooks com

principes d'a c conomie politique applica c s a l agriculture goodreads - Jul 03 2022

web date de l'a c dition originale 1852 ce livre est la reproduction fida le d'une oeuvre publica c e avant 1920 et fait partie d'une collection de livres ra c imprima c s a la demande a c dita c e par hachette livre dans le cadre d'un partenariat avec la bibliotha que nationale de france offrant l'opportunita c d'acca c der a des ouvrages

cours d'a c conomie politique t 2 exposa c des principes l - Apr 12 2023

web cours d'a c conomie politique contenant avec l'exposa c des principes l'analyse des questions de la c gislation a c conomique t 2

des principes de l'a c conomie politique et de l - Oct 06 2022

web 2 des principes de l a c conomie politique et de l 2023 05 10 psychological science the journal aims to bring together the medical and psychological disciplines collaborative studies between psychiatrists and psychologists are especially encouraged original theoretical and research contributions are invited from the fields

principes de la communauté wikipédia - Jan 29 2022

web les principes de la communauté désignent sous le régime de vichy 1 2 la ligne de conduite morale et politique censée remplacer la déclaration des droits de l homme et du citoyen issue de la révolution française 3 ces principes au nombre de seize devaient constituer parallèlement à la nouvelle constitution de l État français la ligne idéologique

régime politique et commerce international en afrique centrale - Dec 28 2021

web 39où la variable x_{ij} représente les exportations du pays i vers le pays j mesurées en niveau et v_{ijt} le terme d erreur 3 présentation des données et résultats 3 1 données 40en raison du manque de données postérieures à 2010 pour la centrafricaine et du souci de couvrir l ensemble des pays d afrique centrale notre étude couvre une période de seize

cours d conomie politique ou exposition des principes qui - Feb 27 2022

web mar 1 2022 cours d conomie politique ou exposition des principes qui dterminent la prospérité des nations f a c s i m i l e heinrich friedrich von 1766 1835 storch the witcher 2 assassins of kings prima official game guide alicia ashby grey systems theory and applications understanding complex systems yi lin de la prostitution

principes de politique wikipédia - Mar 31 2022

web les principes de politique sont un ouvrage du philosophe franco suisse benjamin constant le titre complet est principes de politique applicables à tous les gouvernements représentatifs et particulièrement à la constitution actuelle de la france

principes d a c conomie politique 6a me a c d goodreads - Mar 11 2023

web principes d a c conomie politique 6e a c d ref et augm par charles gide date de l a c dition originale 1898 sujet de l ouvrage a0 00conomie politique france

contribution à la critique de l économie politique 1859 - Dec 08 2022

web une édition électronique réalisée à partir du livre de karl marx 1859 contribution à la critique de l économie politique paris Éditions sociales 1972 309 pages plusieurs textes de karl marx sont disponibles sur le site web de

principes d a c conomie 7e ed etext copy a3 phasescientific - May 01 2022

web principes d a c conomie 7e ed etext principes d économie pure dictionnaire de l économie politique contenant l exposition des principes de la science l opinion des écrivains qui ont le plus contribué à sa fondation et à ses progrès la bibliographie générale de l économie politique par noms d auteurs et par

Économie politique wikipédia - Aug 04 2022

web pour beaucoup de ses fondateurs l économie politique est une pensée pluri dimensionnelle qui assume la triple

dimension humaine sociale et historique c est une science morale et politique car elle est à la fois pensée du marché et des processus productifs de l acteur individuel et de la société du choix rationnel et